



US00D526755S

(12) **United States Design Patent**
Isaac

(10) **Patent No.:** **US D526,755 S**

(45) **Date of Patent:** **** Aug. 15, 2006**

(54) **PAINT TESTER ROLLER KIT**

(75) **Inventor:** **Gregory J. Isaac**, Coto De Caza, CA (US)

(73) **Assignee:** **Foampro Mfg, Inc.**, Irvine, CA (US)

(**) **Term:** **14 Years**

(21) **Appl. No.:** **29/229,774**

(22) **Filed:** **May 11, 2005**

(51) **LOC (8) Cl.** **07-07**

(52) **U.S. Cl.** **D32/53.1**

(58) **Field of Classification Search** D32/53.1,
D32/54-55; D9/415; 15/257.05, 257.06;
206/462, 361-362, 372, 229; D4/122
See application file for complete search history.

(56) **References Cited**

U.S. PATENT DOCUMENTS

3,351,970	A	*	11/1967	Engh	15/257.06
3,591,299	A	*	7/1971	Pharris	401/118
4,717,038	A	*	1/1988	Anders	220/769
5,084,931	A		2/1992	Kuhlcke		

5,139,139	A	*	8/1992	Goetz	206/229
D332,512	S	*	1/1993	Bernard	D32/53.1
5,493,751	A	*	2/1996	Misiukowicz et al.	...	15/257.06
D400,329	S	*	10/1998	Lindo	D32/53.1
6,601,262	B1	*	8/2003	Janssen	15/230.11
6,622,340	B1	*	9/2003	Rosa	15/257.06

* cited by examiner

Primary Examiner—Pamela Burgess

(74) *Attorney, Agent, or Firm*—Stetina Brunda Garred & Brucker

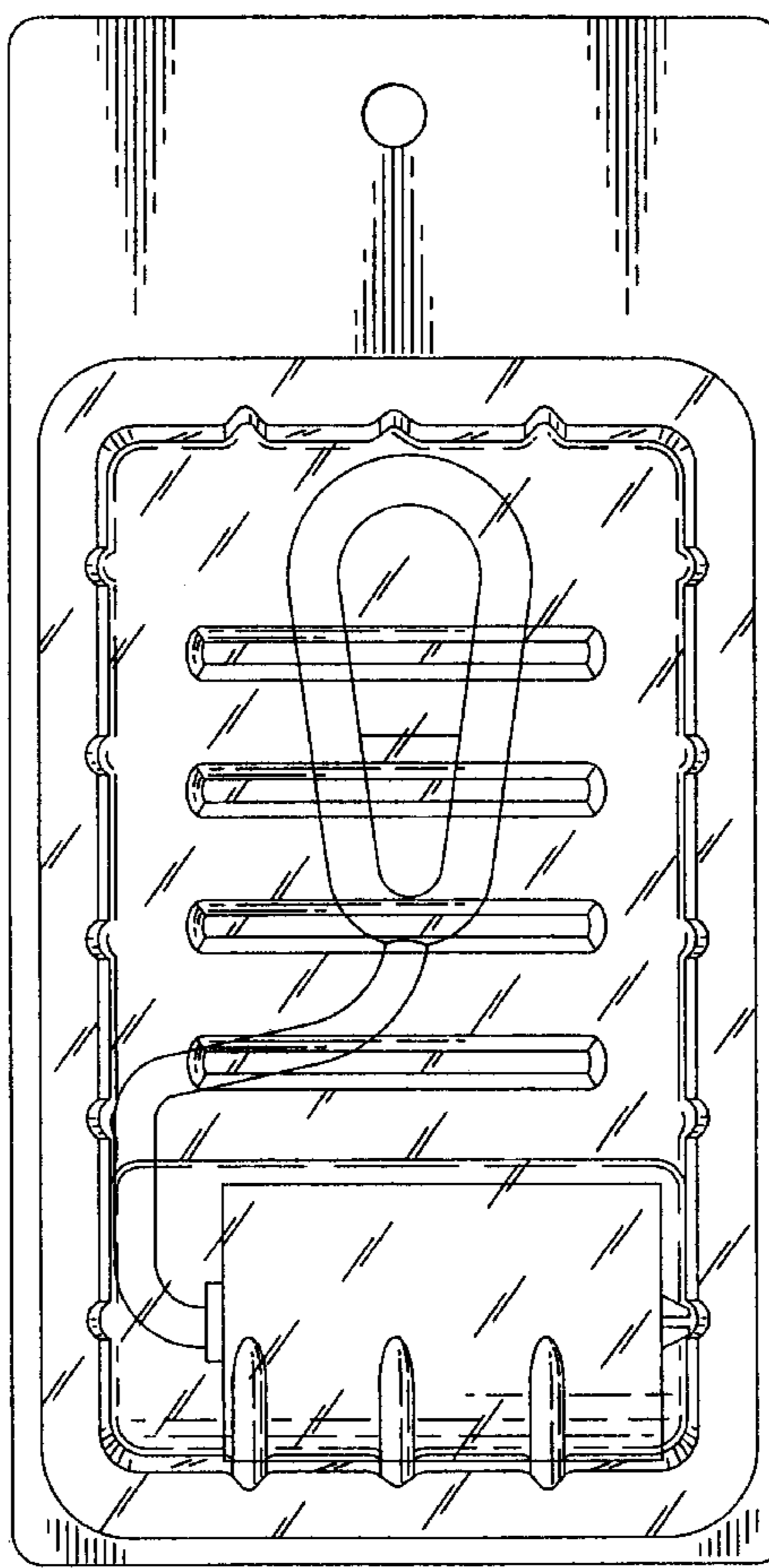
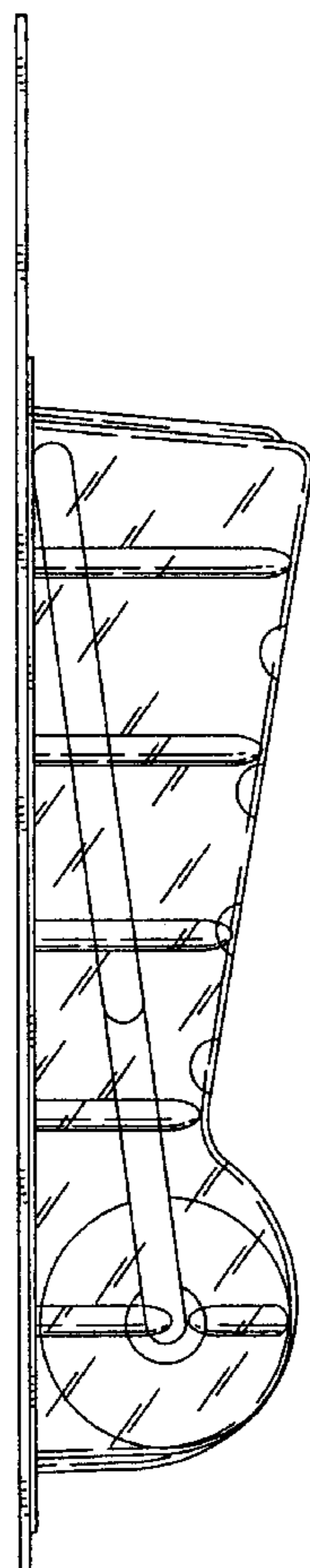
(57) **CLAIM**

The ornamental design for a paint tester roller kit, as shown and described.

DESCRIPTION

FIG. 1 is a top plan view of the paint tester roller kit of the present invention showing my new design; FIG. 2 is a left side elevational view thereof; FIG. 3 is a front elevational view thereof; FIG. 4 is a bottom plan view thereof; FIG. 5 is a right side view thereof; and, FIG. 6 is a rear elevational view thereof.

1 Claim, 2 Drawing Sheets



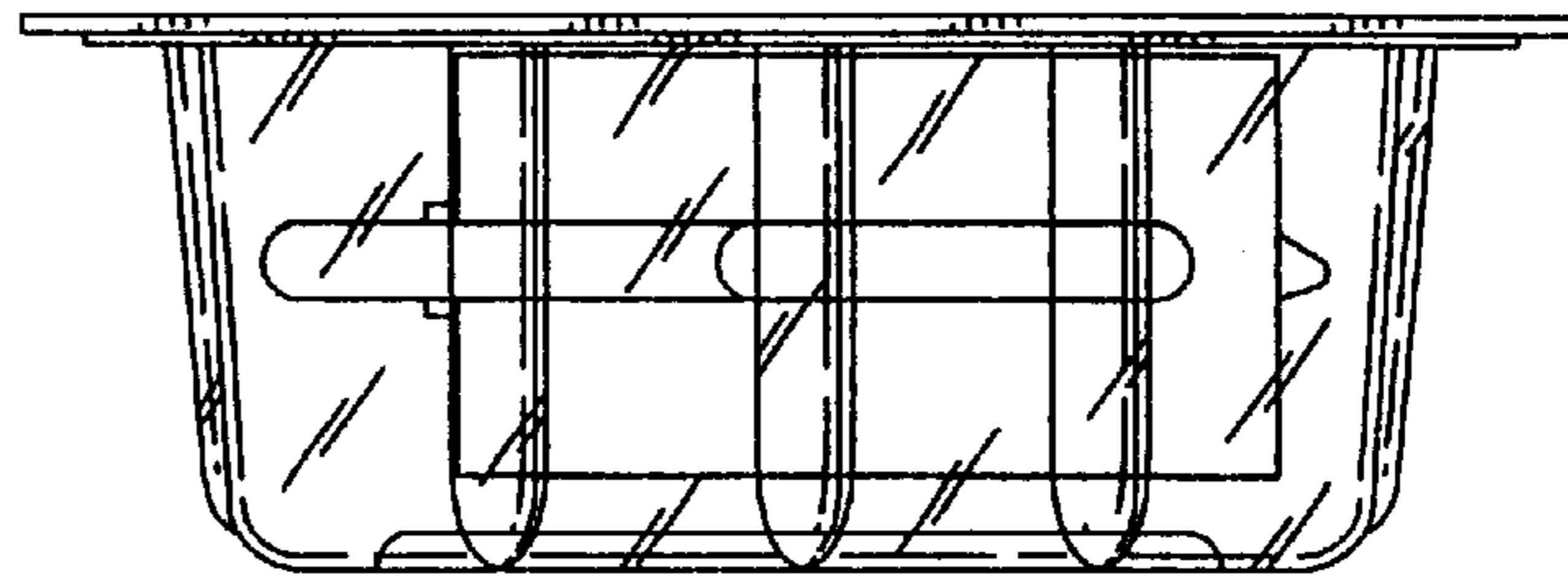


Fig. 1

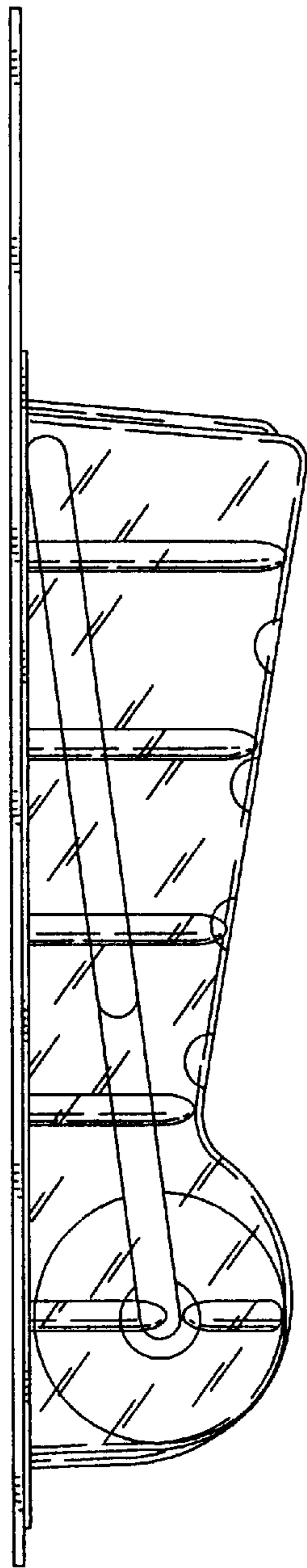


Fig. 2

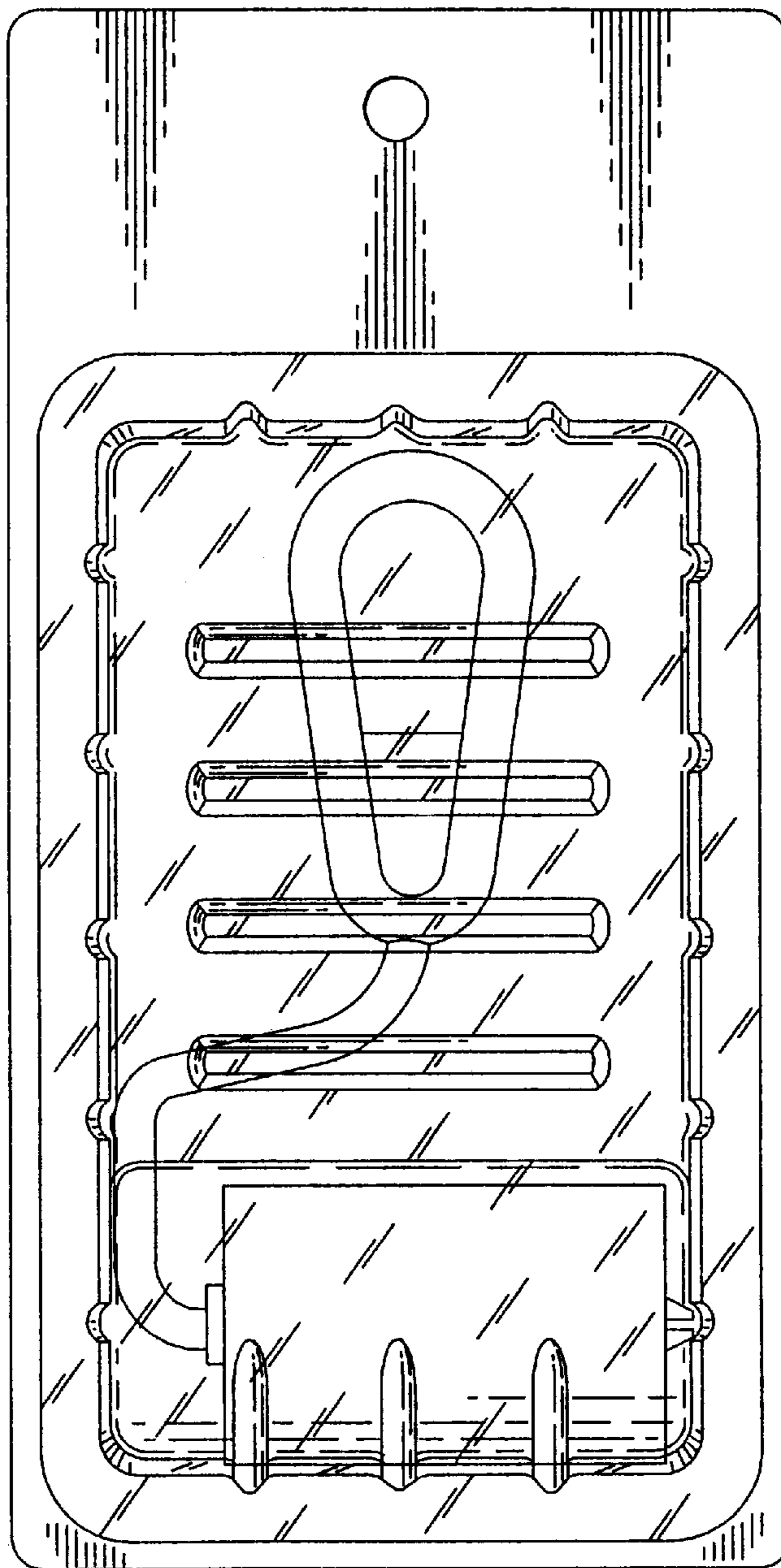


Fig. 3

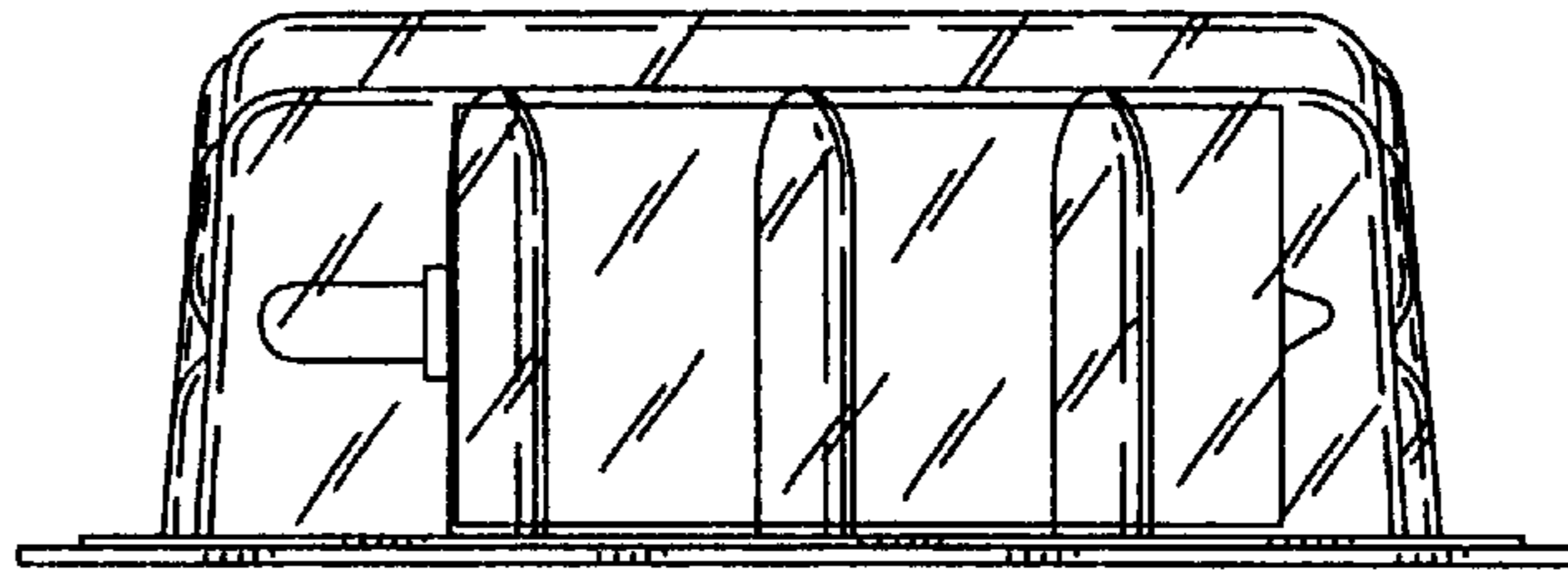


Fig. 4

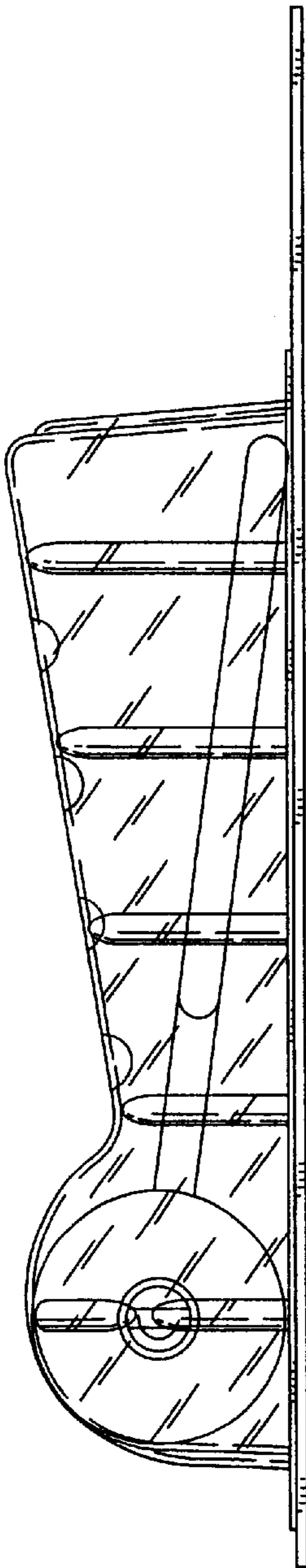


Fig. 5

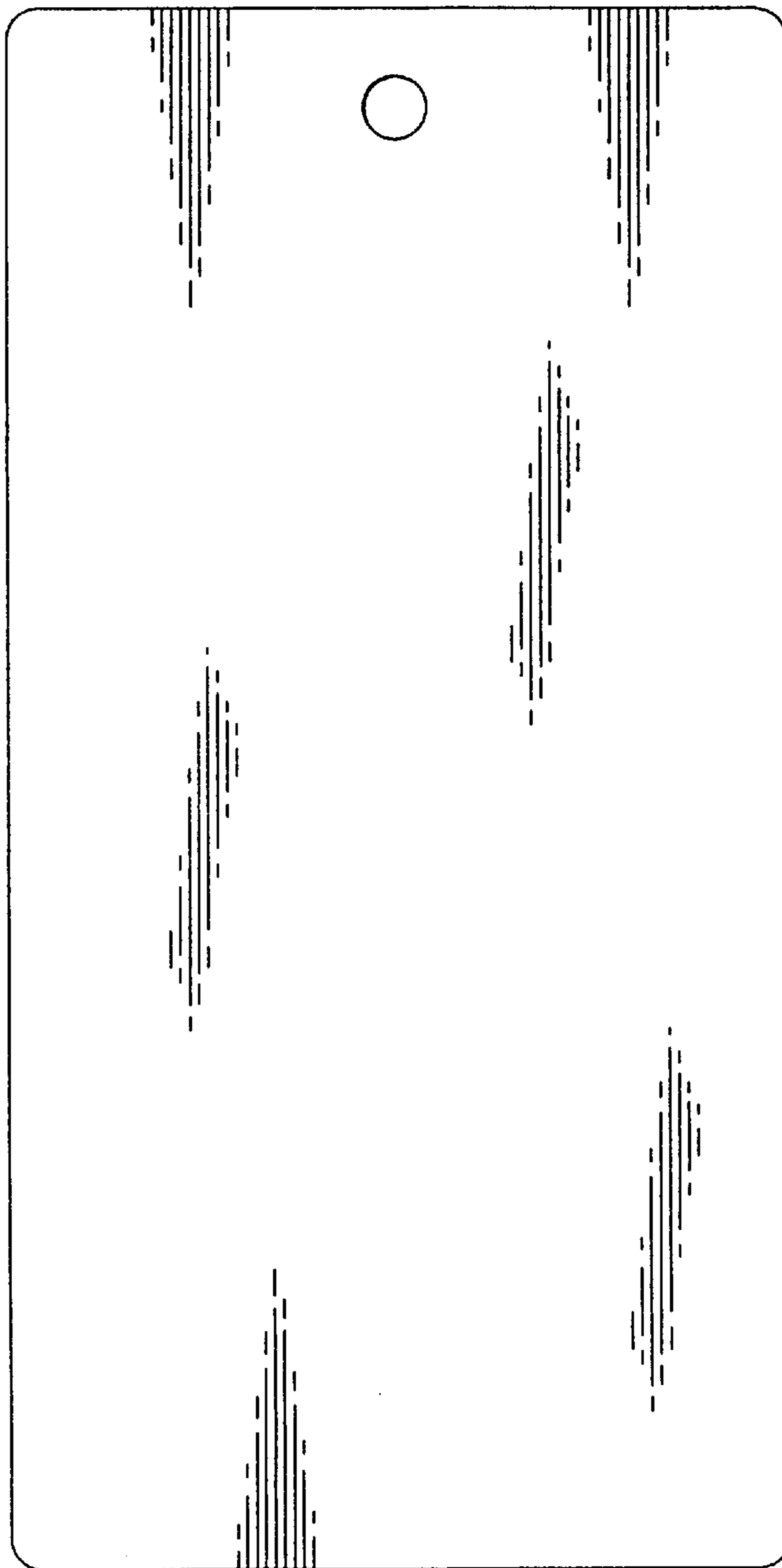


Fig. 6