



US00D526753S

(12) **United States Design Patent**
Tani et al.

(10) **Patent No.:** **US D526,753 S**

(45) **Date of Patent:** **** Aug. 15, 2006**

(54) **ELECTRIC VACUUM CLEANER**

(75) Inventors: **Takao Tani**, Daito (JP); **Naoya Uehigashi**, Daito (JP); **Kazuya Sudo**, Daito (JP)

(73) Assignee: **Funai Electric Company Limited**, Osaka (JP)

(**) **Term:** **14 Years**

(21) Appl. No.: **29/228,486**

(22) Filed: **Apr. 25, 2005**

(30) **Foreign Application Priority Data**

Oct. 26, 2004 (JP) 2004-032475

(51) **LOC (8) Cl.** **15-05**

(52) **U.S. Cl.** **D32/21**

(58) **Field of Classification Search** D32/1, D32/15-16, 21, 23-24, 31; 15/49.1, 52.1, 15/319, 320-321, 323, 327.1, 327.2, 327.3, 15/327.4, 327.6, 327.7, 329, 340.1, 340.2, 15/340.3, 340.4, 347, 353, 383, 405, 412; 901/1; 700/245, 259; 318/568.12; 417/236; 55/DIG. 3

See application file for complete search history.

(56) **References Cited**

U.S. PATENT DOCUMENTS

D182,364 S * 3/1958 Jepson et al. D32/23

D187,065 S * 1/1960 Chapman D32/23
D212,257 S * 9/1968 Schaefer et al. D32/23
D375,592 S * 11/1996 Ljunggren D32/21
D381,478 S * 7/1997 Amos D32/21
D474,312 S * 5/2003 Stephens et al. D32/21
6,594,844 B1 * 7/2003 Jones 15/49.1
D503,251 S * 3/2005 Christianson D32/21

* cited by examiner

Primary Examiner—Ruth McInroy

(74) *Attorney, Agent, or Firm*—Sughrue Mion, PLLC

(57) **CLAIM**

The ornamental design for an electric vacuum cleaner, as shown.

DESCRIPTION

FIG. 1 is a perspective view of the top, front and right side of an electric vacuum cleaner showing our new design;

FIG. 2 is a front elevational view thereof;

FIG. 3 is a rear elevational view thereof;

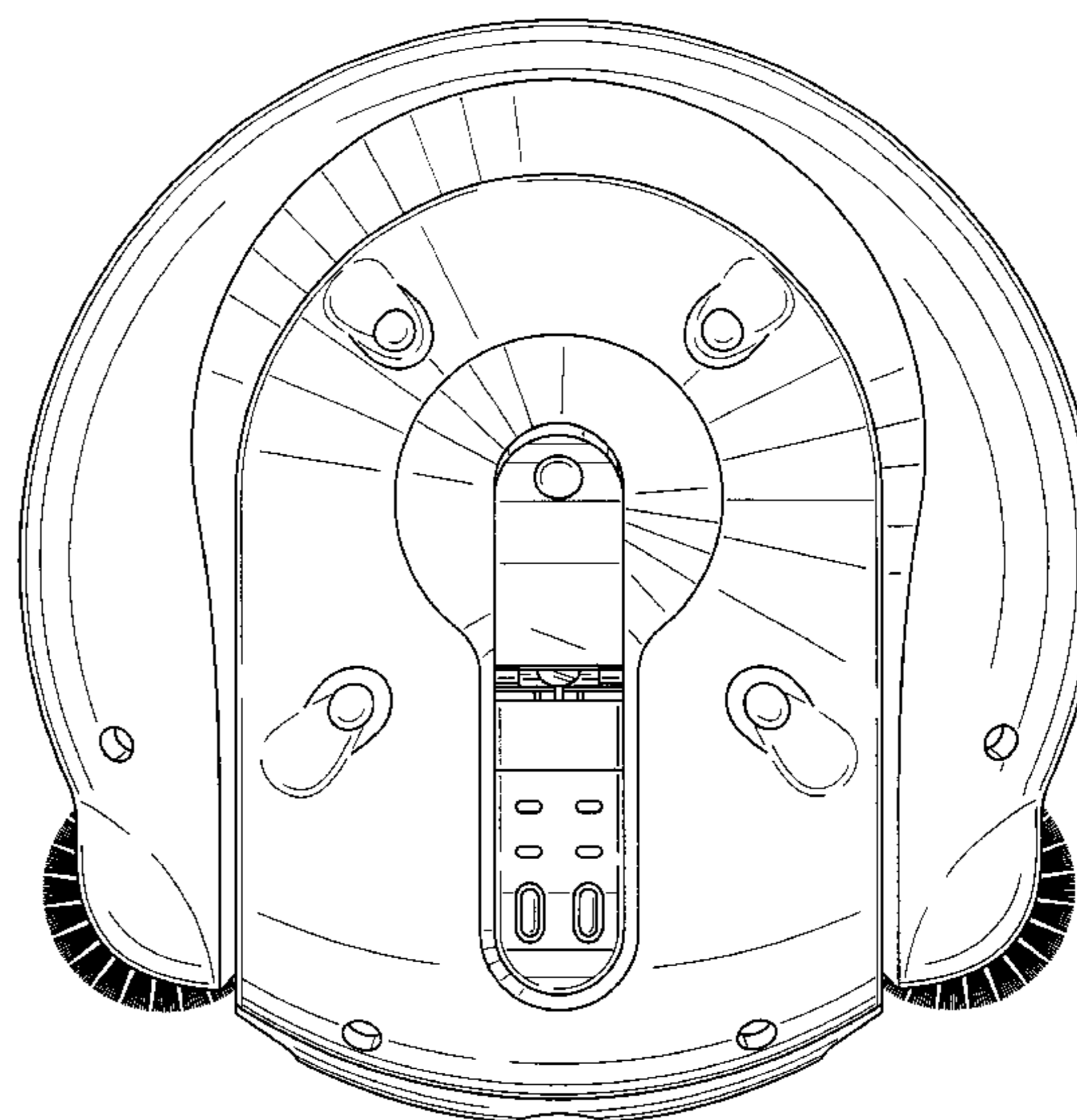
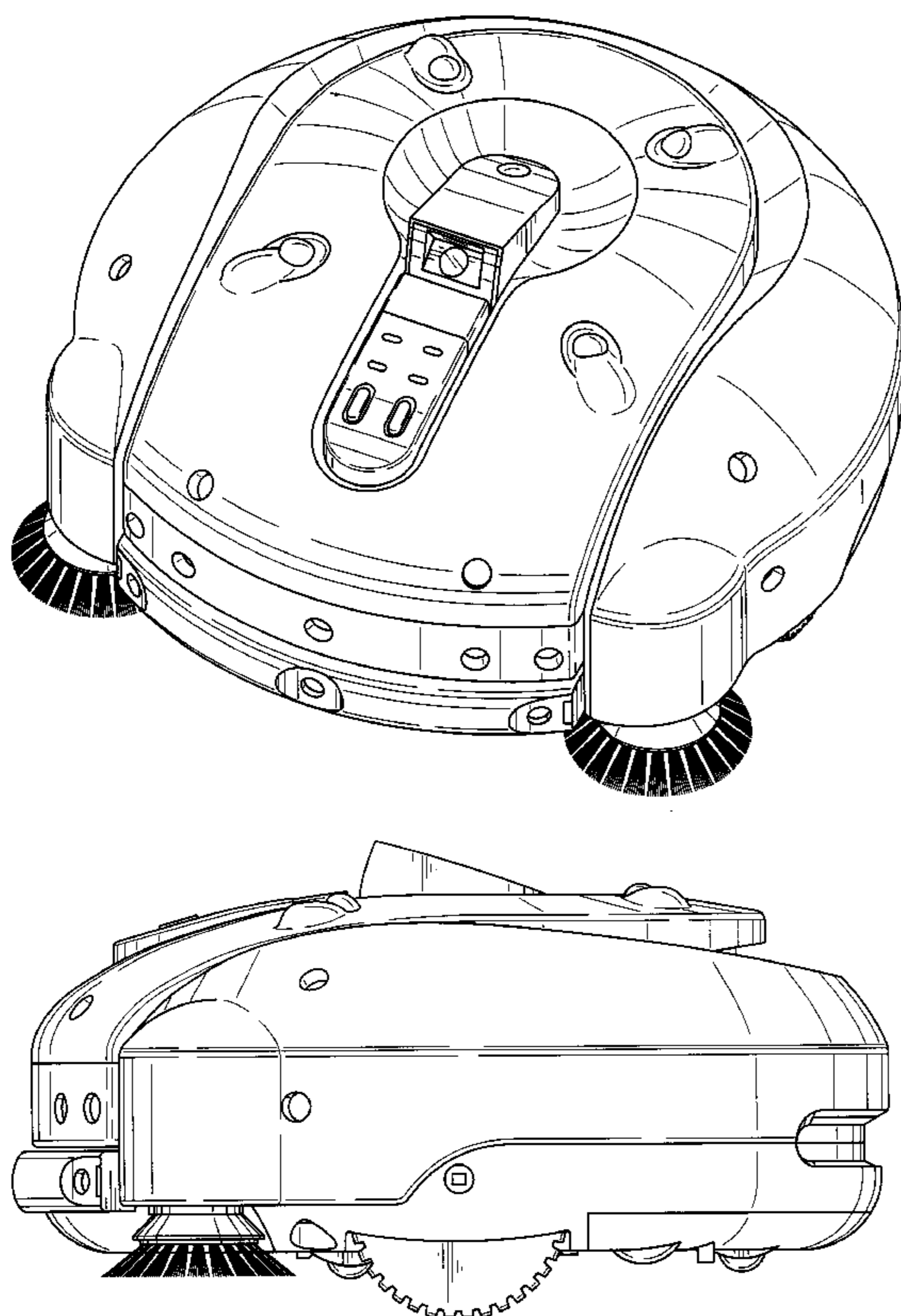
FIG. 4 is a right side elevational view thereof;

FIG. 5 is a left side elevational view thereof;

FIG. 6 is a top plan view thereof; and,

FIG. 7 is a bottom plan view thereof.

1 Claim, 5 Drawing Sheets



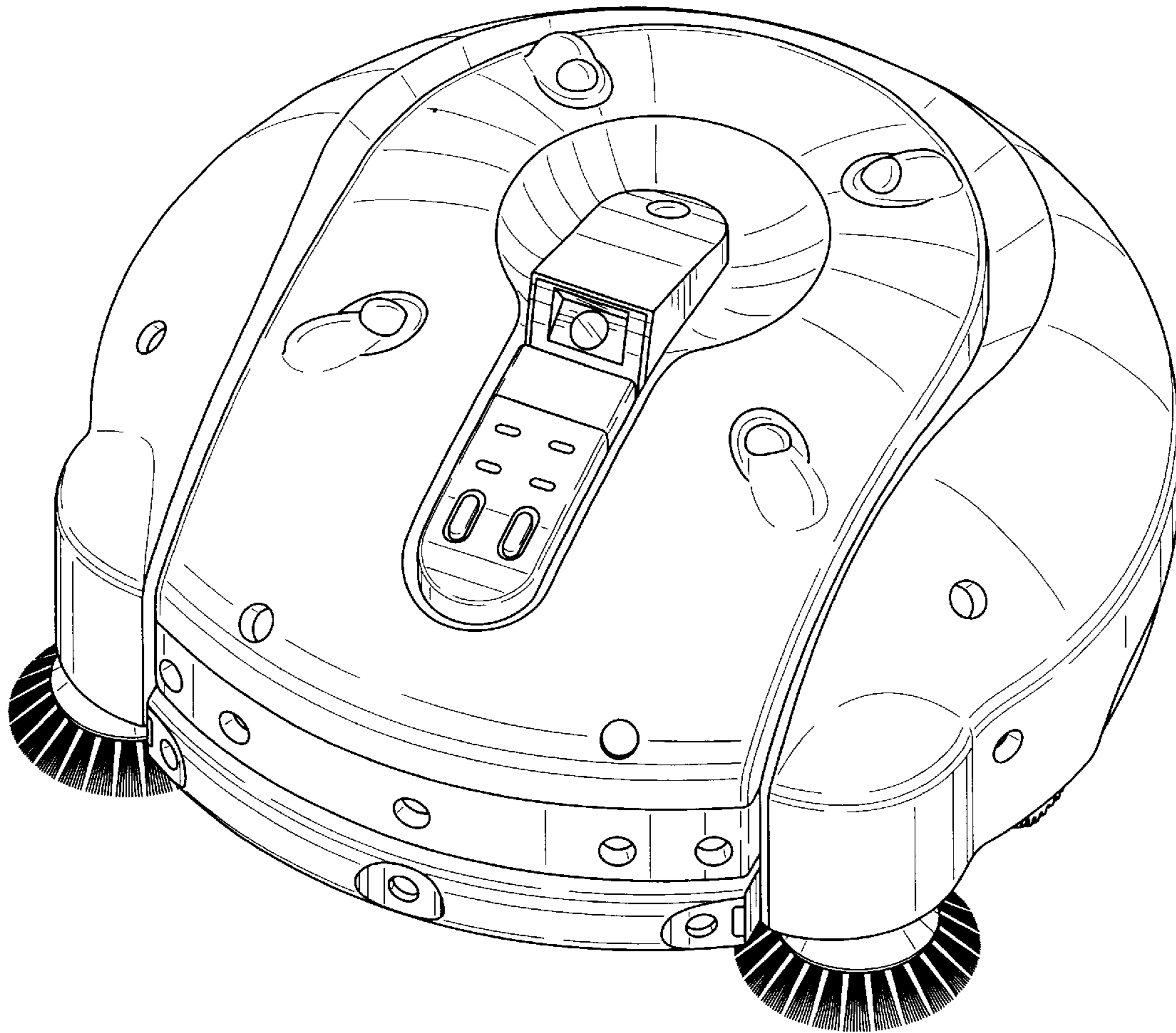


FIG. 1

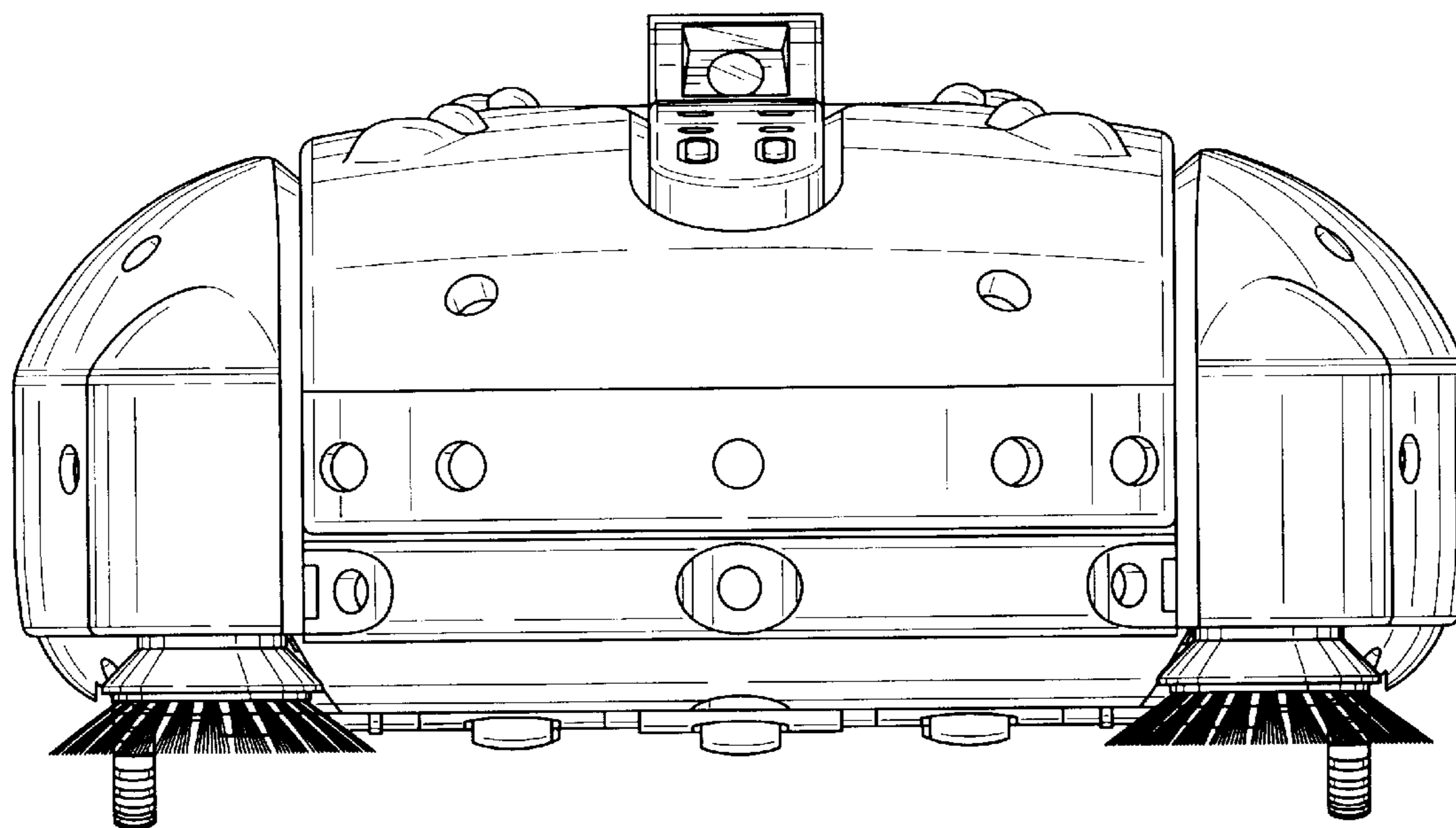


FIG. 2

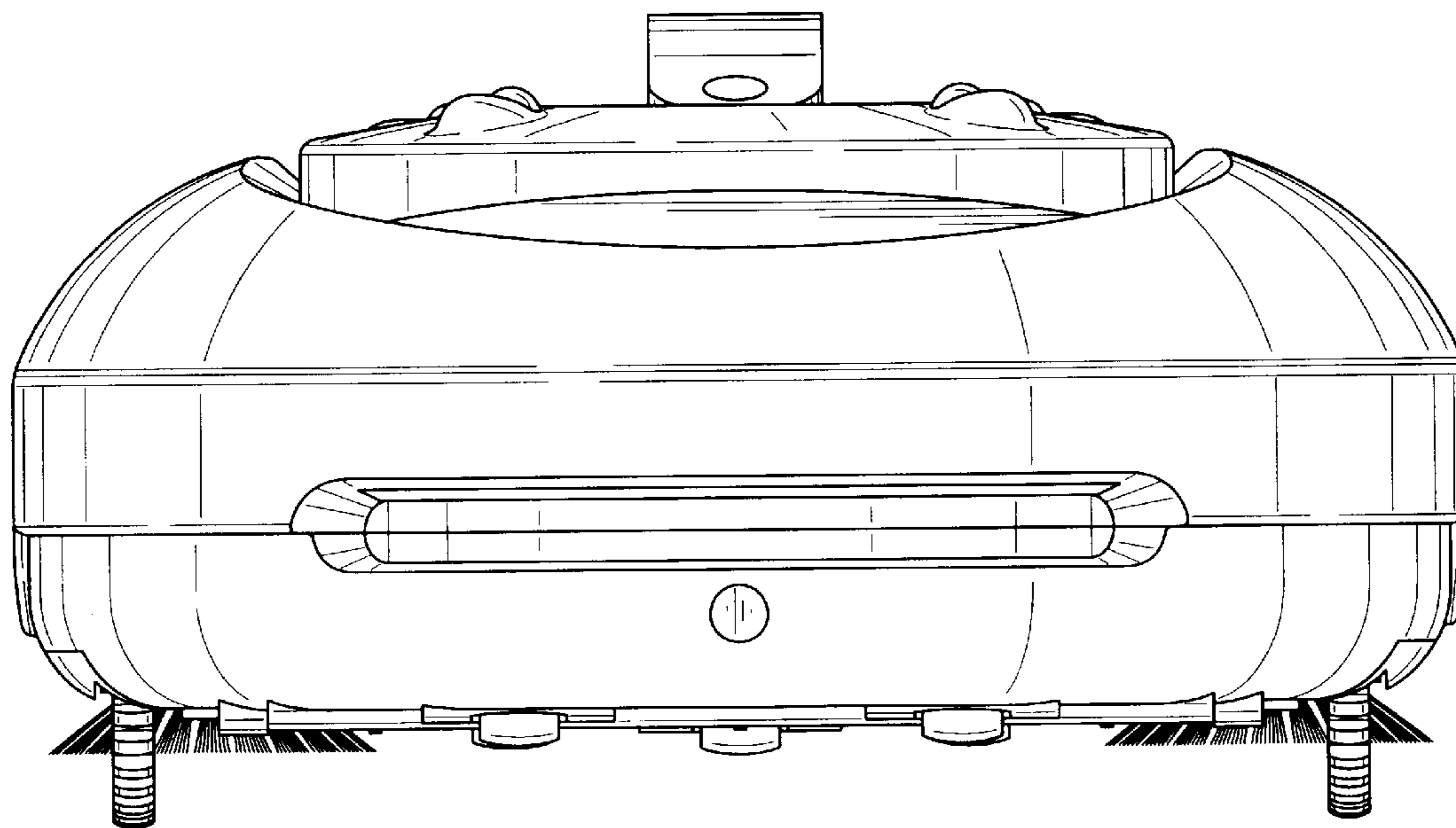


FIG. 3

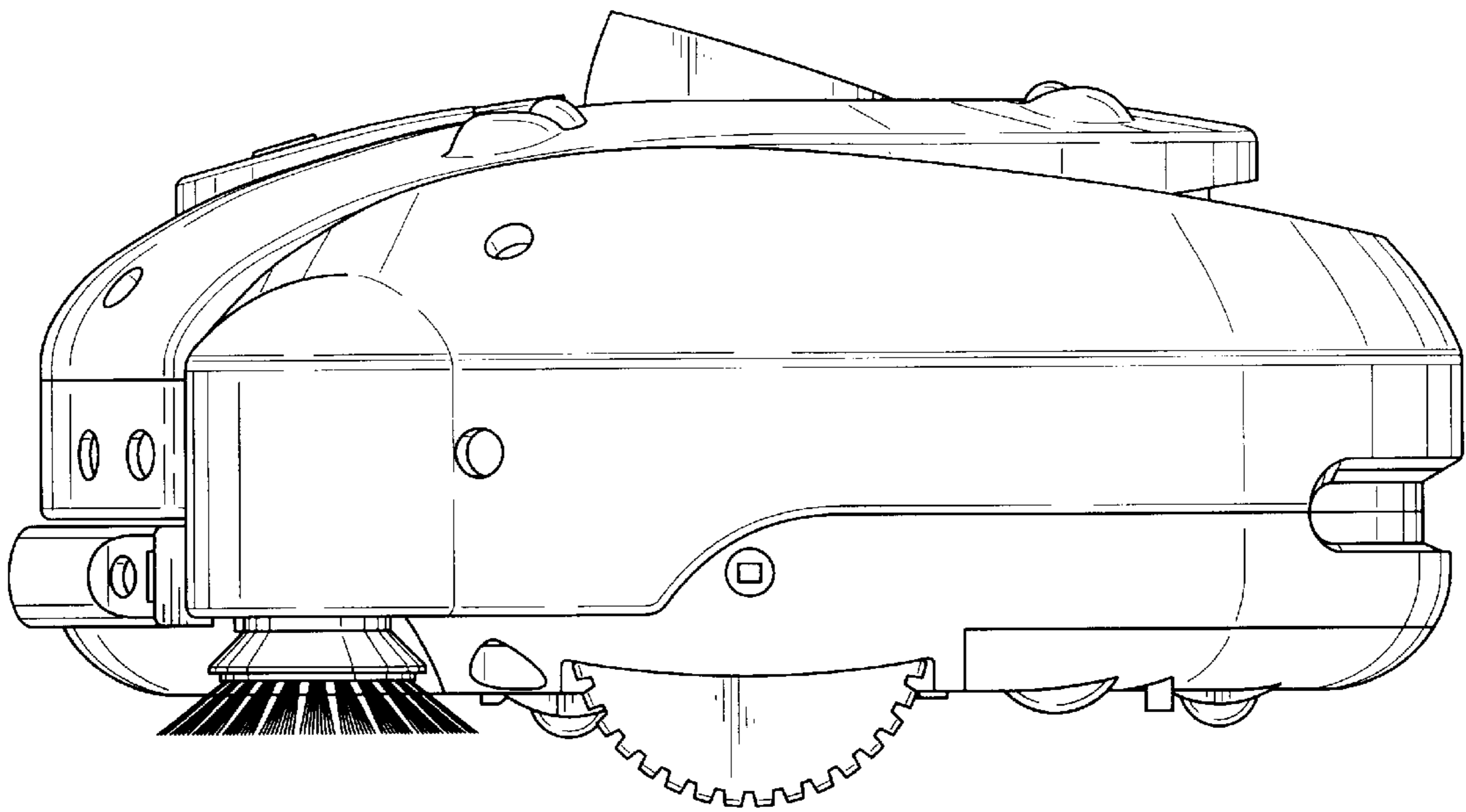


FIG. 4

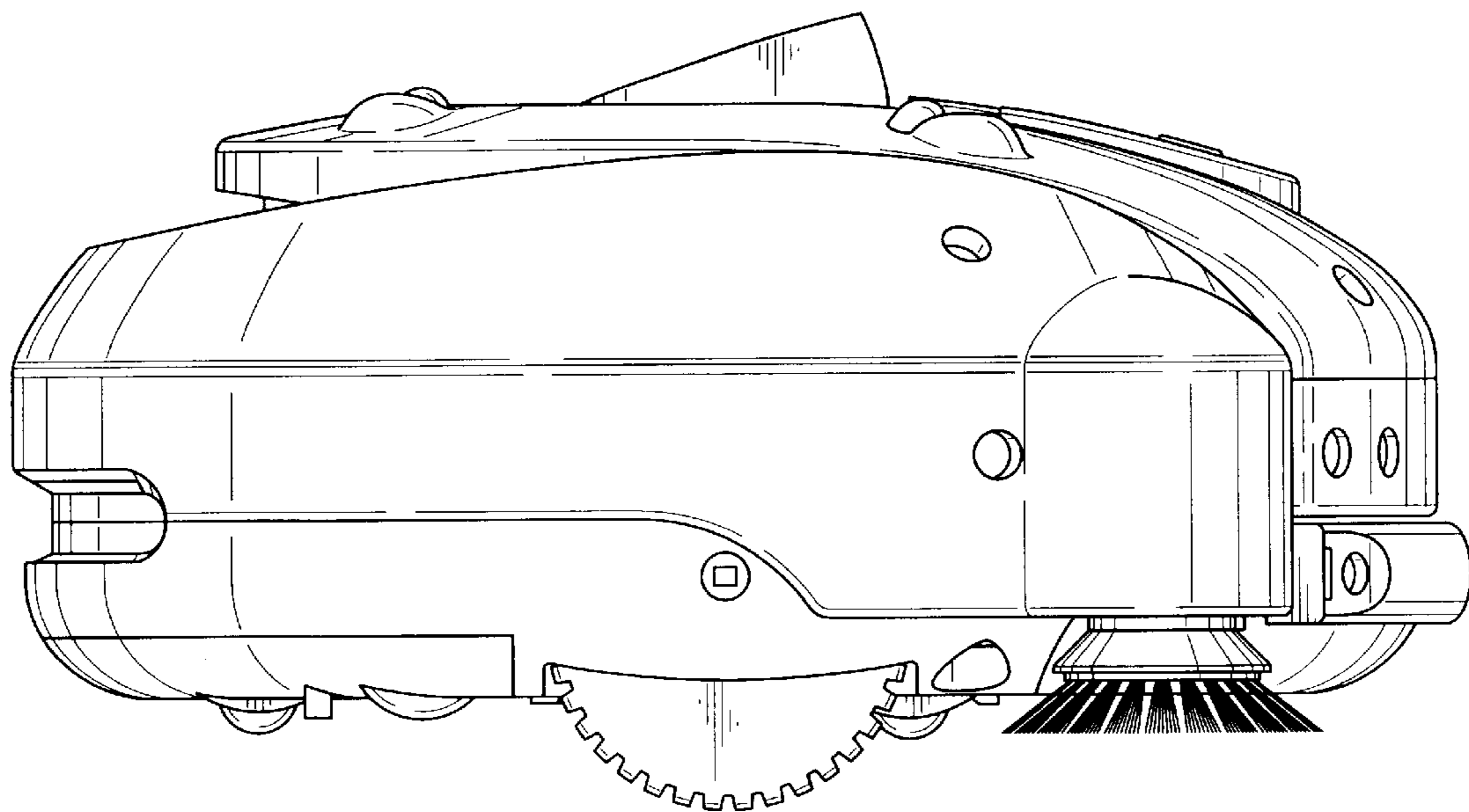


FIG. 5

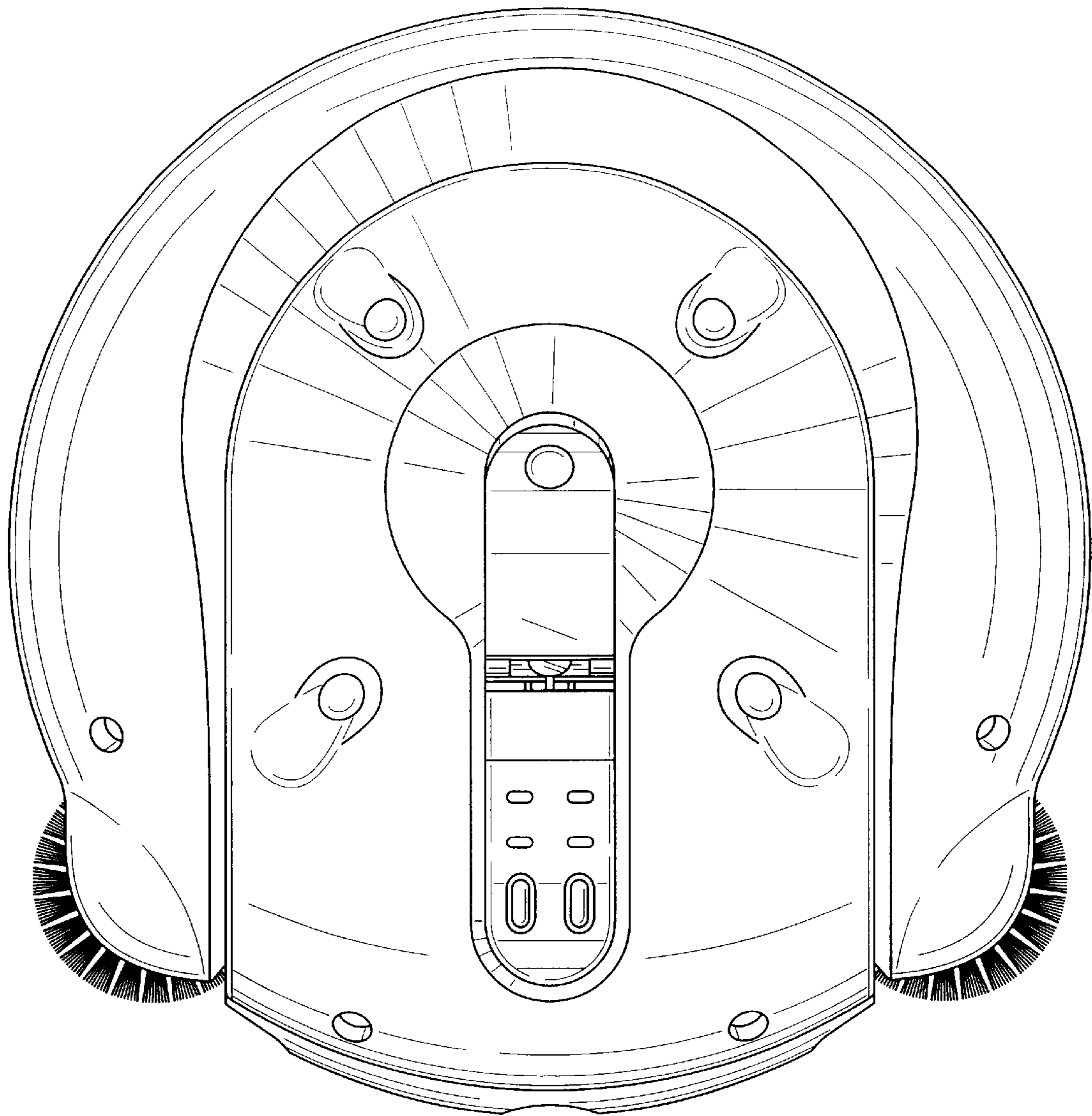


FIG. 6

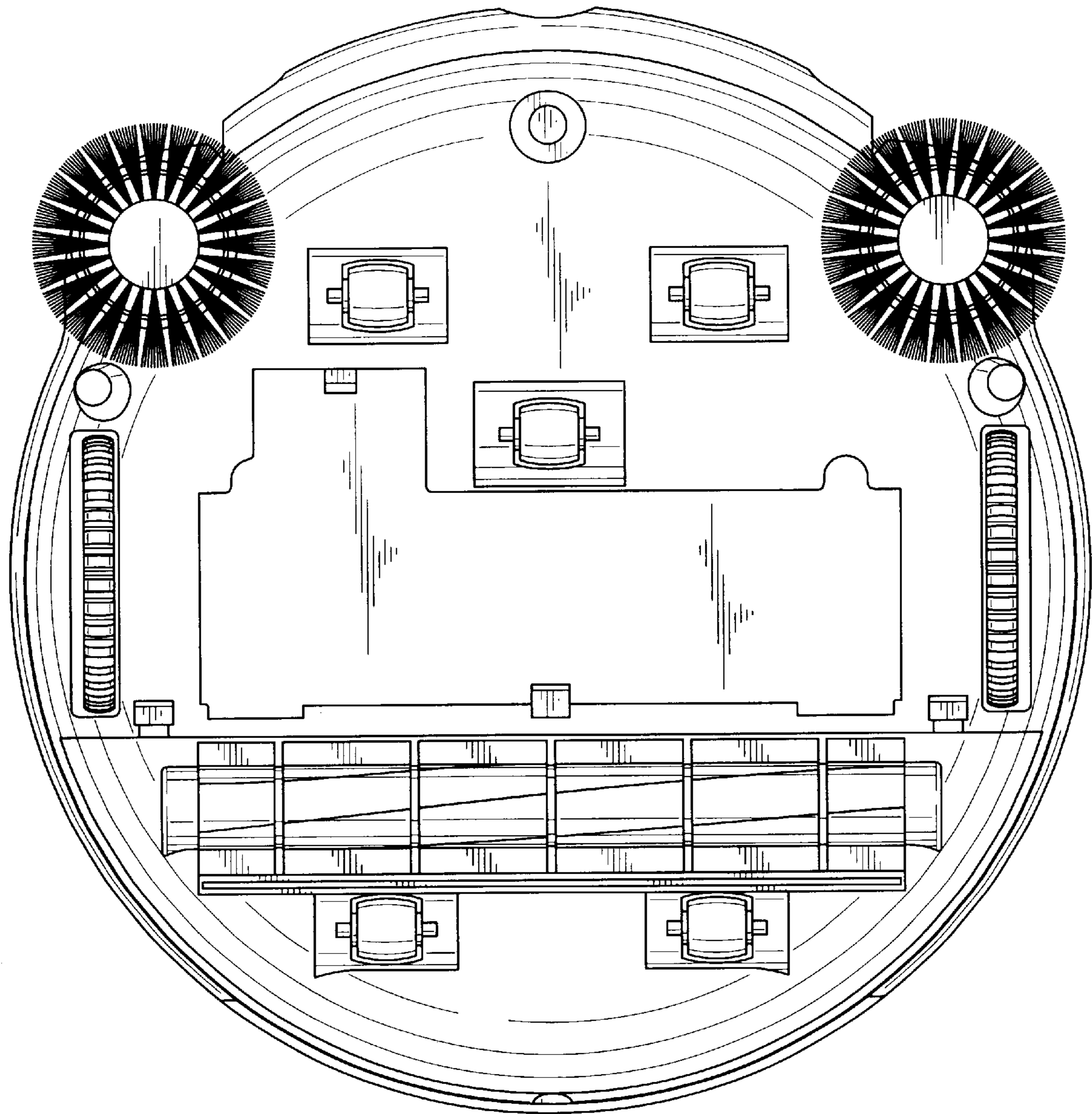


FIG. 7