

US00D526751S

(12) **United States Design Patent**
Hendy

(10) **Patent No.:** **US D526,751 S**

(45) **Date of Patent:** **** Aug. 15, 2006**

(54) **BOWSER WASHER**

(75) Inventor: **Robert John Hendy**, Taunton (GB)

(73) Assignee: **Brendon Limited**, Taunton (GB)

(**) Term: **14 Years**

(21) Appl. No.: **29/226,744**

(22) Filed: **Mar. 31, 2005**

(30) **Foreign Application Priority Data**

Oct. 1, 2004 (EM) 000235429-0001/0003

(51) **LOC (8) Cl.** **15-05**

(52) **U.S. Cl.** **D32/15**

(58) **Field of Classification Search** D32/15,
D32/16, 21, 22, 25, 31; 417/360, 364; 15/347,
15/320, 321, 3, 323, 352, 340.2, 403; 134/200;
239/146-9, 722; D15/7-9; D34/24, 27, 25,
D34/26; D13/112-14, 116

See application file for complete search history.

(56) **References Cited**

U.S. PATENT DOCUMENTS

D223,039 S * 2/1972 Widmer D15/7

D277,285 S * 1/1985 Lopez D15/1

D284,381 S * 6/1986 Stuart D15/7

5,299,767 A * 4/1994 Simpson 248/129

5,954,494 A * 9/1999 Goldsmith et al. 431/254

D450,061 S * 11/2001 Graber et al. D15/9

D458,423 S * 6/2002 Rehkugler et al. D32/16

D467,692 S * 12/2002 Morgan et al. D32/15

* cited by examiner

Primary Examiner—Louis S. Zarfaz

Assistant Examiner—Kathleen Sims

(74) *Attorney, Agent, or Firm*—Rader, Fishman & Grauer
PLLC

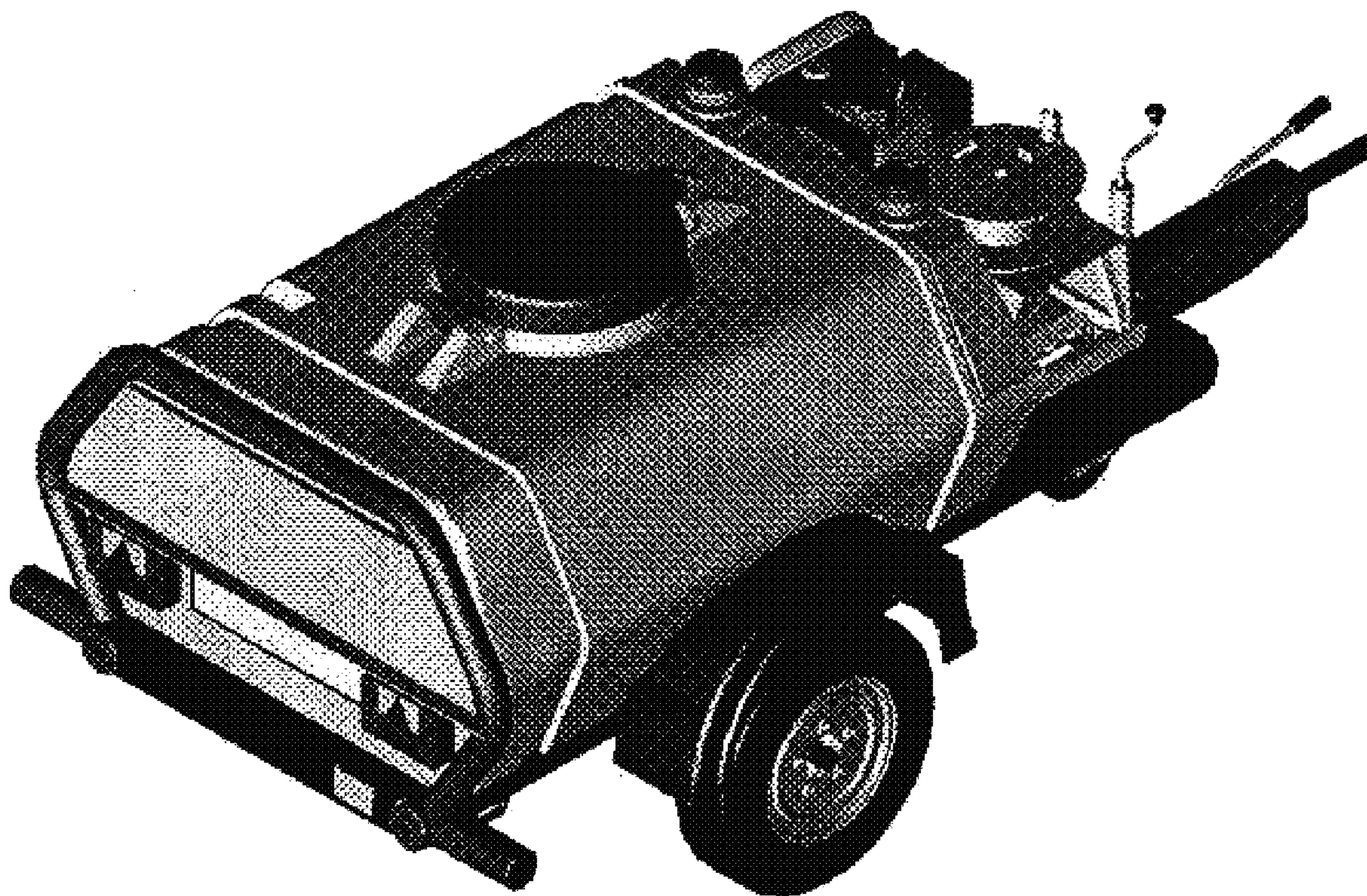
(57) **CLAIM**

The ornamental design for bowser washer, as shown and described.

DESCRIPTION

FIG. 1 is a first perspective view of a bowser washer;
FIG. 2 is a second perspective view of the bowser washer;
FIG. 3 is a third perspective view of the bowser washer;
FIG. 4 is a fourth perspective view of the bowser washer;
FIG. 5 is a first side view of the bowser washer;
FIG. 6 is a second side view of the bowser washer; and,
FIG. 7 is a third side view of the bowser washer.

1 Claim, 7 Drawing Sheets



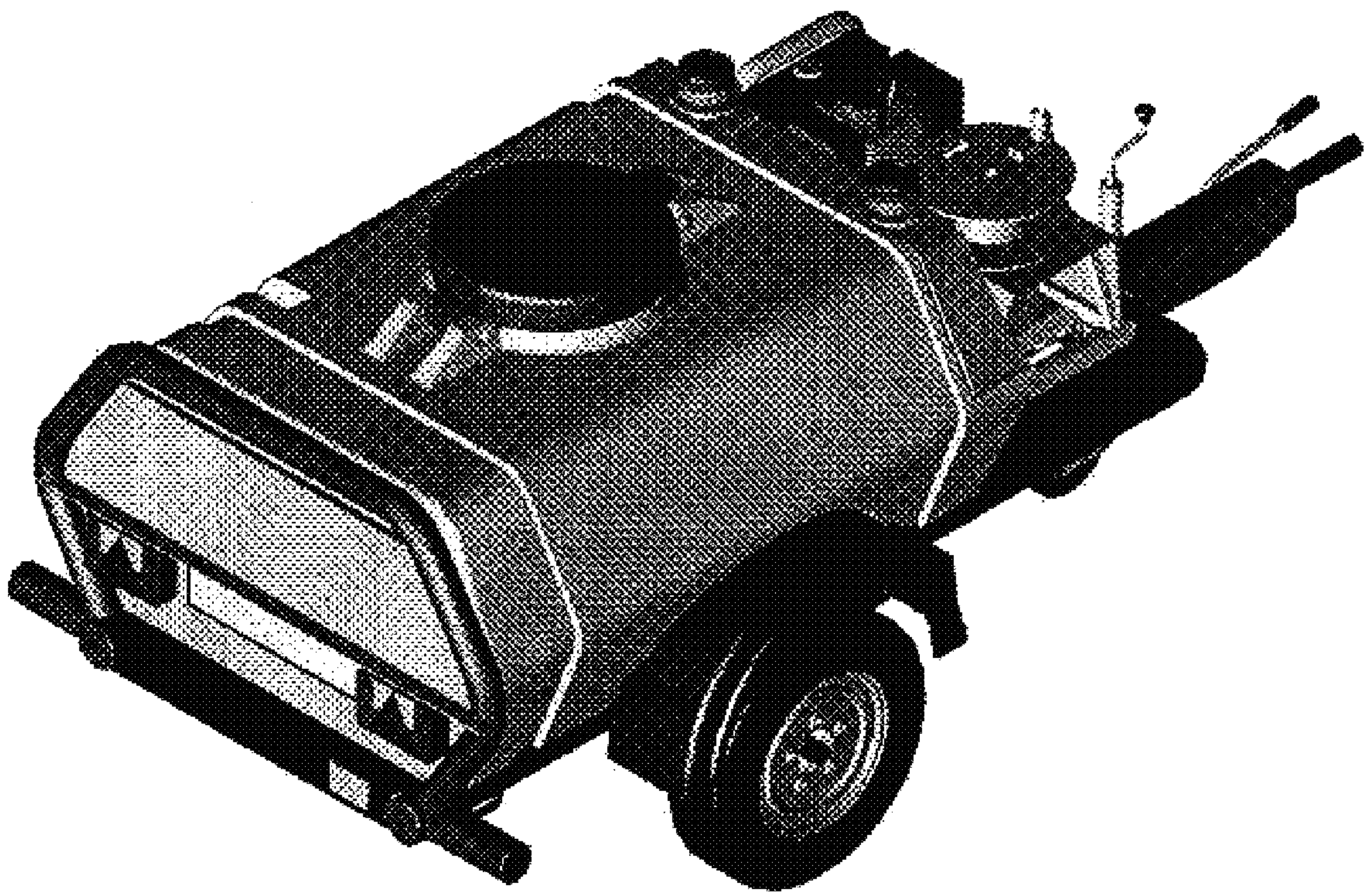


FIG. 1

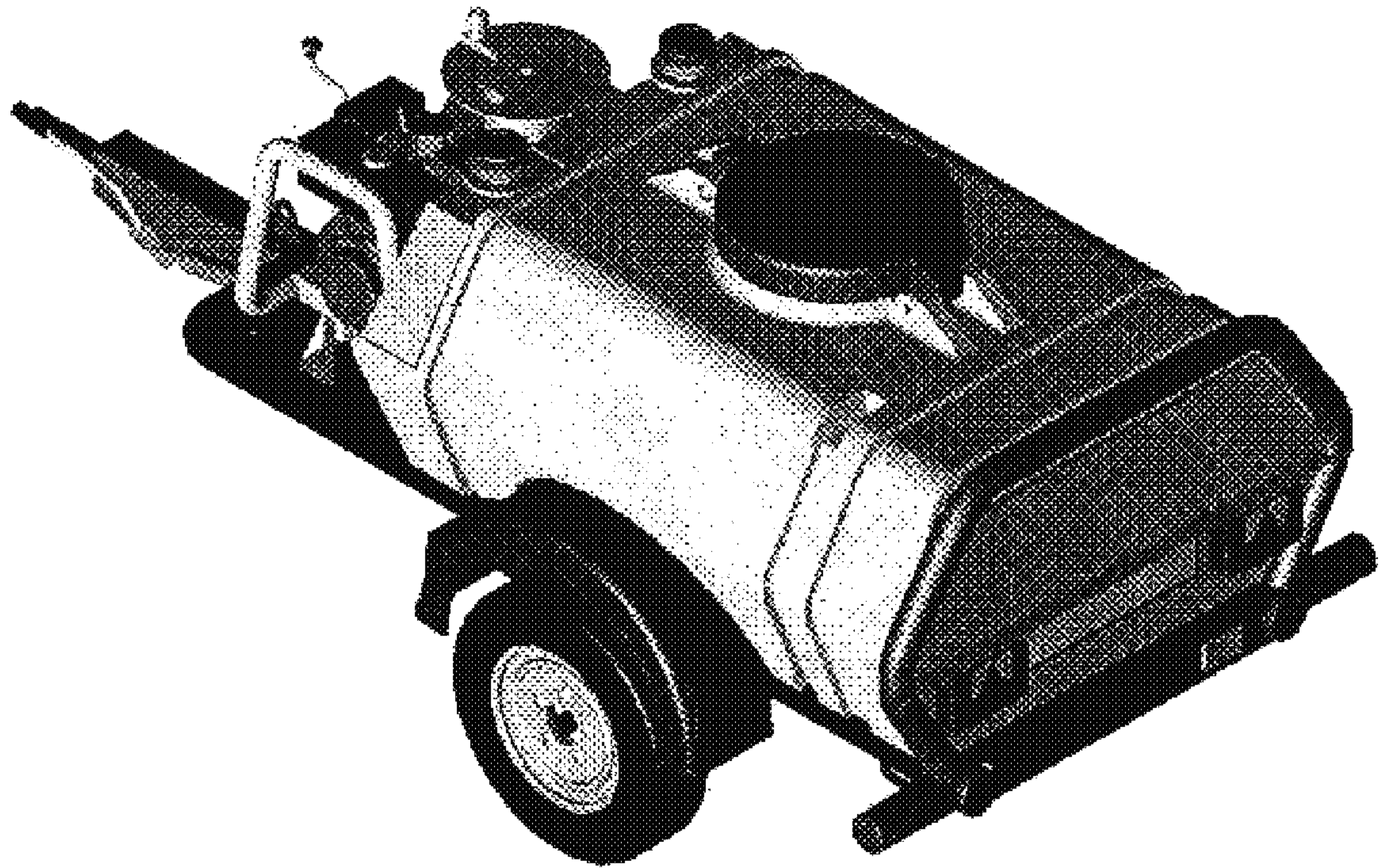


FIG. 2

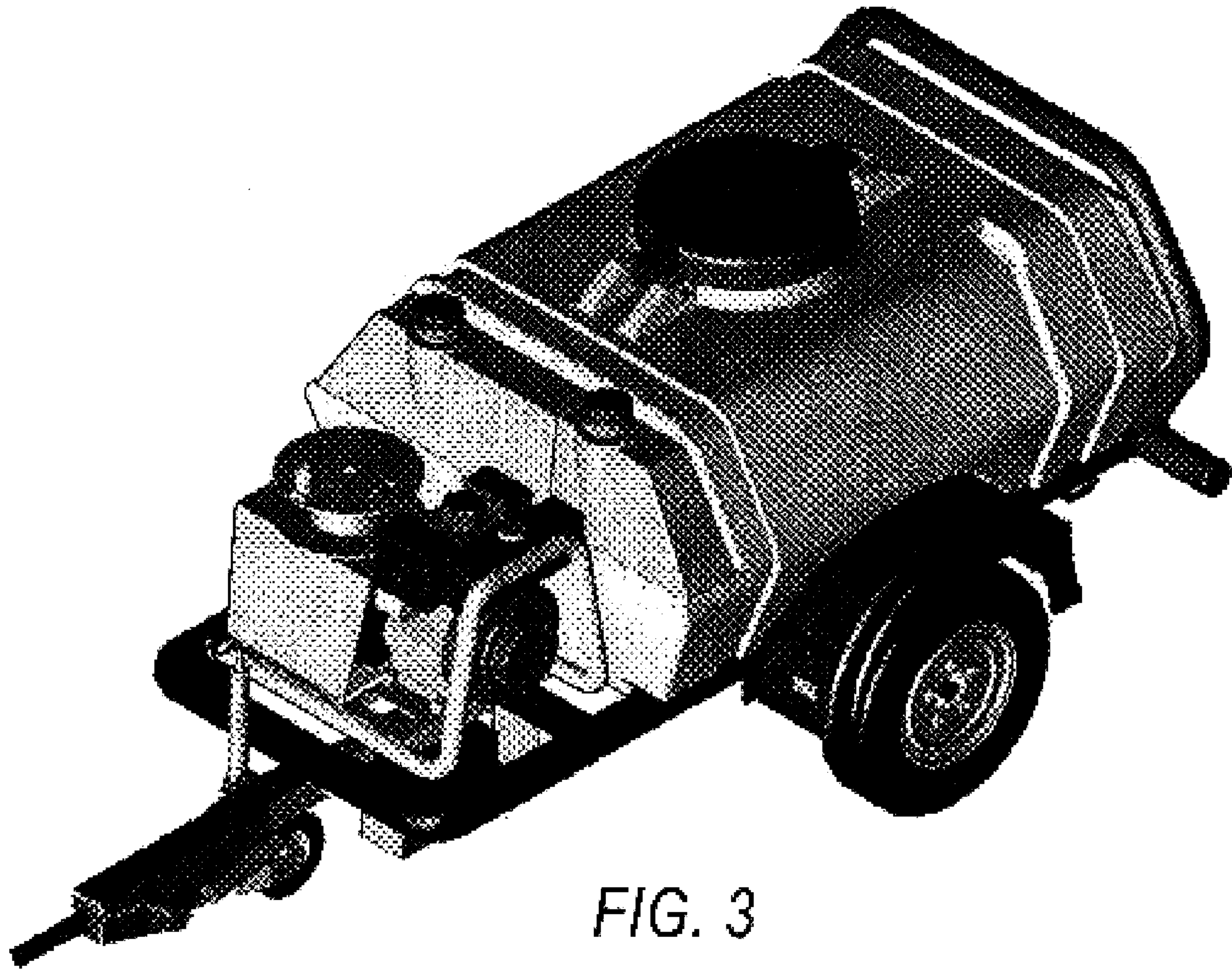


FIG. 3

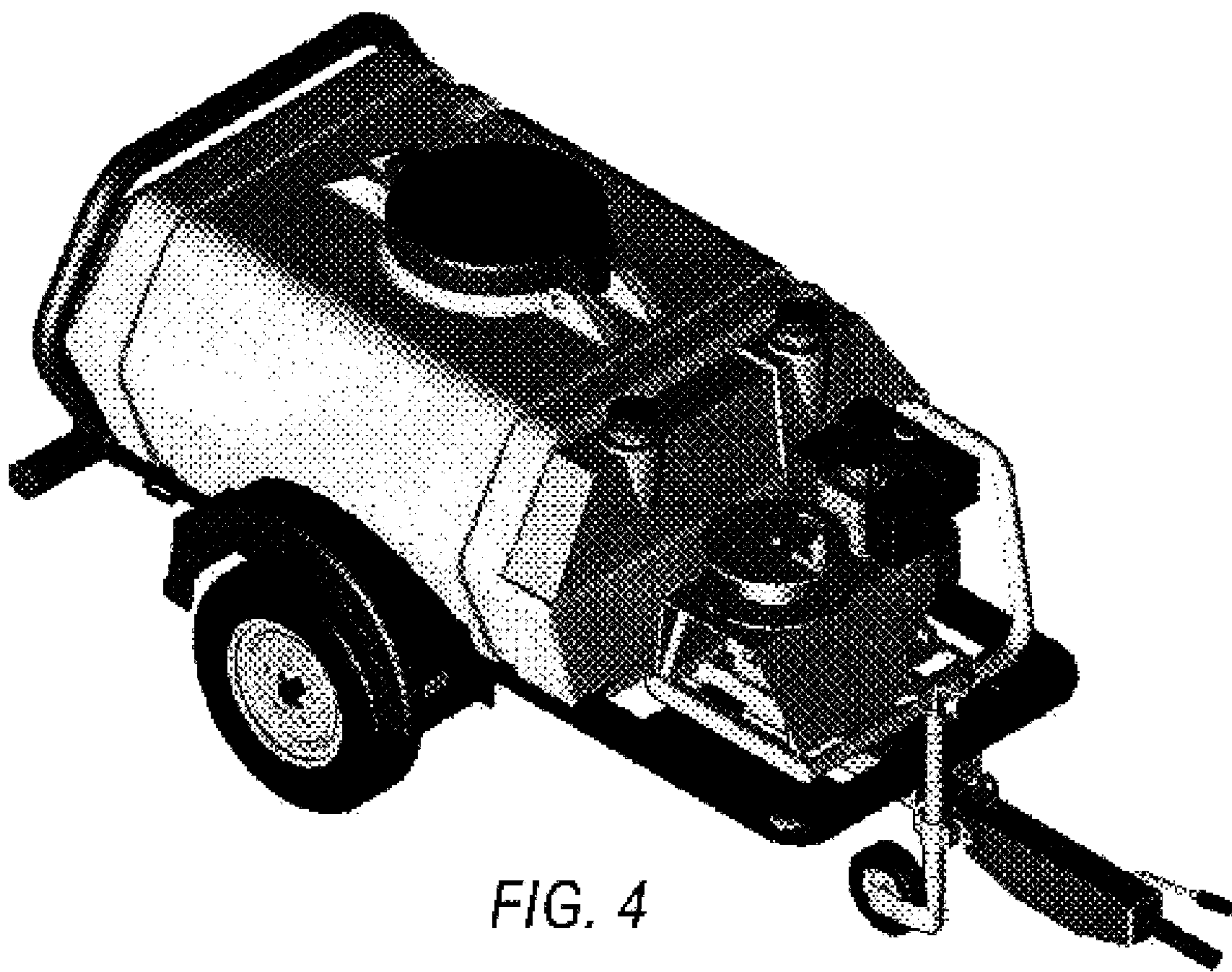


FIG. 4

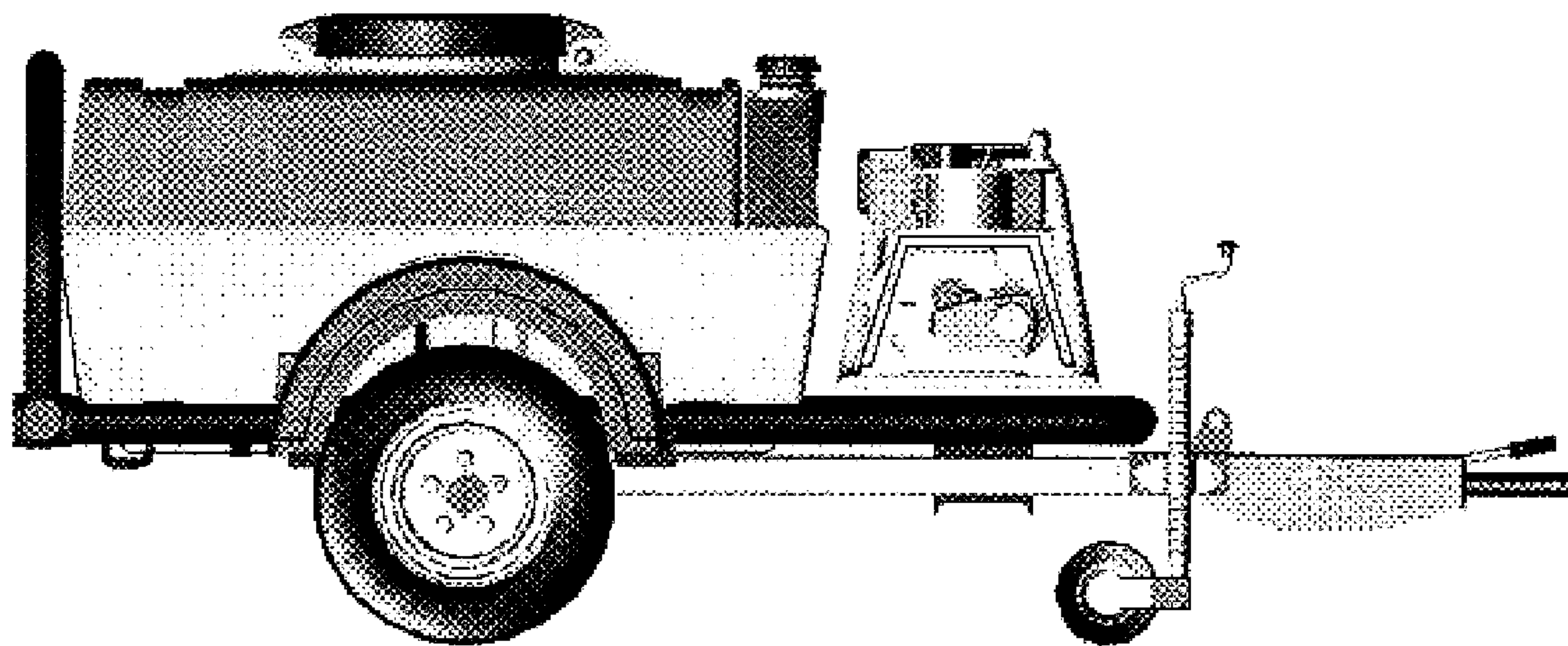


FIG. 5

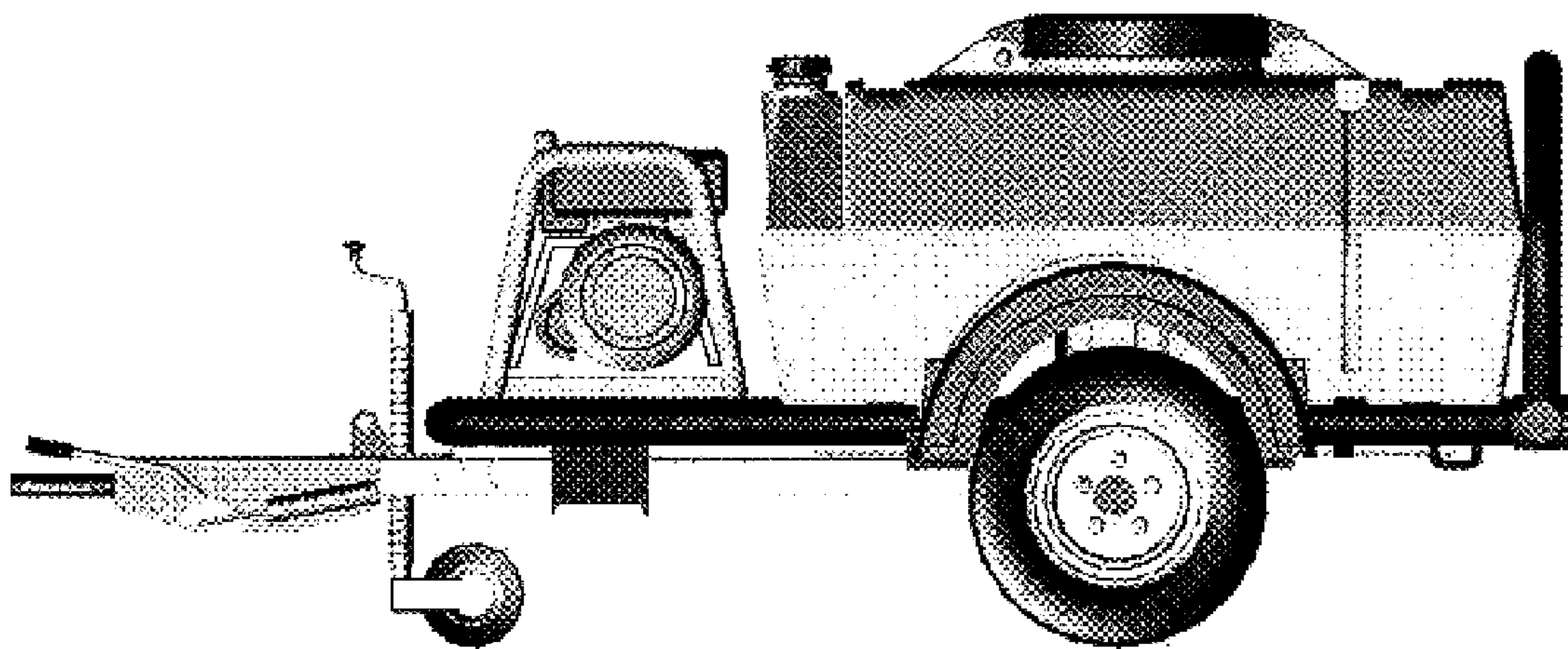


FIG. 6

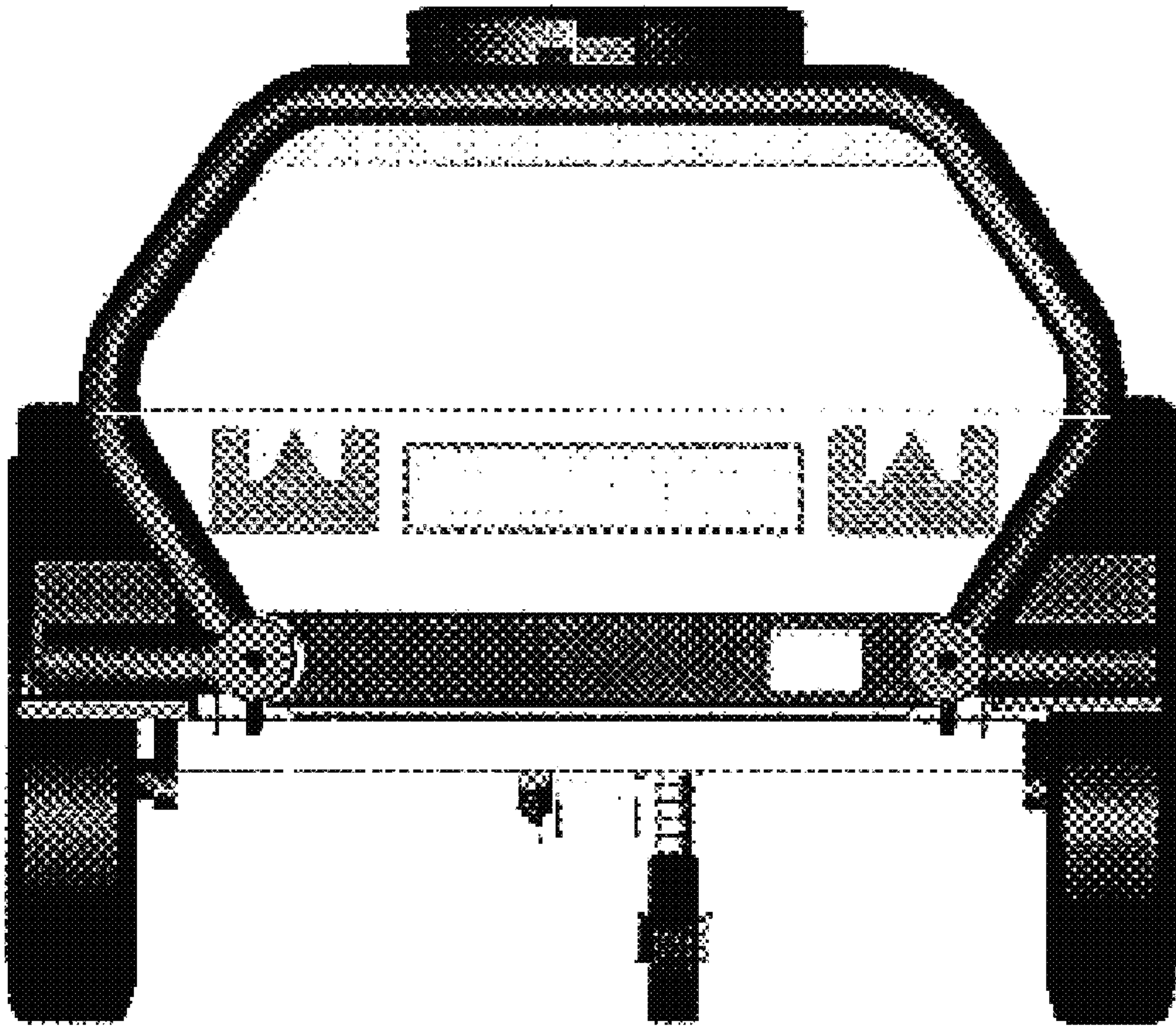


FIG. 7