

US00D526750S

(12) **United States Design Patent** (10) **Patent No.:** **US D526,750 S**
Ito (45) **Date of Patent:** **** Aug. 15, 2006**

(54) **BLOWER**

(75) Inventor: **Jun Ito**, Saitama (JP)

(73) Assignee: **Honda Motor Co., Ltd.**, Tokyo (JP)

(**) Term: **14 Years**

(21) Appl. No.: **29/206,953**

(22) Filed: **Jun. 8, 2004**

(30) **Foreign Application Priority Data**

Dec. 18, 2003 (JP) 2003-037450

(51) **LOC (8) Cl.** **15-05**

(52) **U.S. Cl.** **D32/15**

(58) **Field of Classification Search** D32/1,
D32/15, 16, 17, 21, 18, 25; 15/344, 345,
15/405; D23/213

See application file for complete search history.

(56) **References Cited**

U.S. PATENT DOCUMENTS

- D258,908 S * 4/1981 Satoh D32/383
- D286,927 S * 11/1986 Aiyama D32/15
- D297,274 S 8/1988 Komiya et al.
- 5,584,436 A * 12/1996 Sepke 239/154
- D400,322 S * 10/1998 Webster et al. D32/15
- 5,926,910 A 7/1999 Nishimura et al.
- D427,394 S * 6/2000 Yamane et al. D32/15
- D431,697 S 10/2000 Hayakawa et al.
- D469,931 S * 2/2003 Nawrozki et al. D32/15
- D480,844 S * 10/2003 Noma et al. D32/15

- D493,017 S 7/2004 Ito
- D497,692 S * 10/2004 Nawrozki et al. D32/15
- D498,885 S * 11/2004 Robson D32/15
- 6,834,413 B1 * 12/2004 Sanders et al. 15/405

FOREIGN PATENT DOCUMENTS

JP D1176095 6/2003

OTHER PUBLICATIONS

Notification of Refusal Reasons dated Oct. 8, 2004 with translation.

* cited by examiner

Primary Examiner—Louis S. Zarfes

Assistant Examiner—Kathleen Sims

(74) *Attorney, Agent, or Firm*—Westerman, Hattori, Daniels & Adrian, LLP

(57) **CLAIM**

The ornamental design for blower, as shown and described.

DESCRIPTION

FIG. 1 is a front elevation view of blower, showing our new design;

FIG. 2 is a rear elevation view thereof;

FIG. 3 is a top plan view thereof;

FIG. 4 is a bottom plan view thereof;

FIG. 5 is a right side elevation view thereof;

FIG. 6 is a left side elevation view thereof;

FIG. 7 is a perspective view thereof; and,

FIG. 8 is another perspective view thereof.

1 Claim, 8 Drawing Sheets

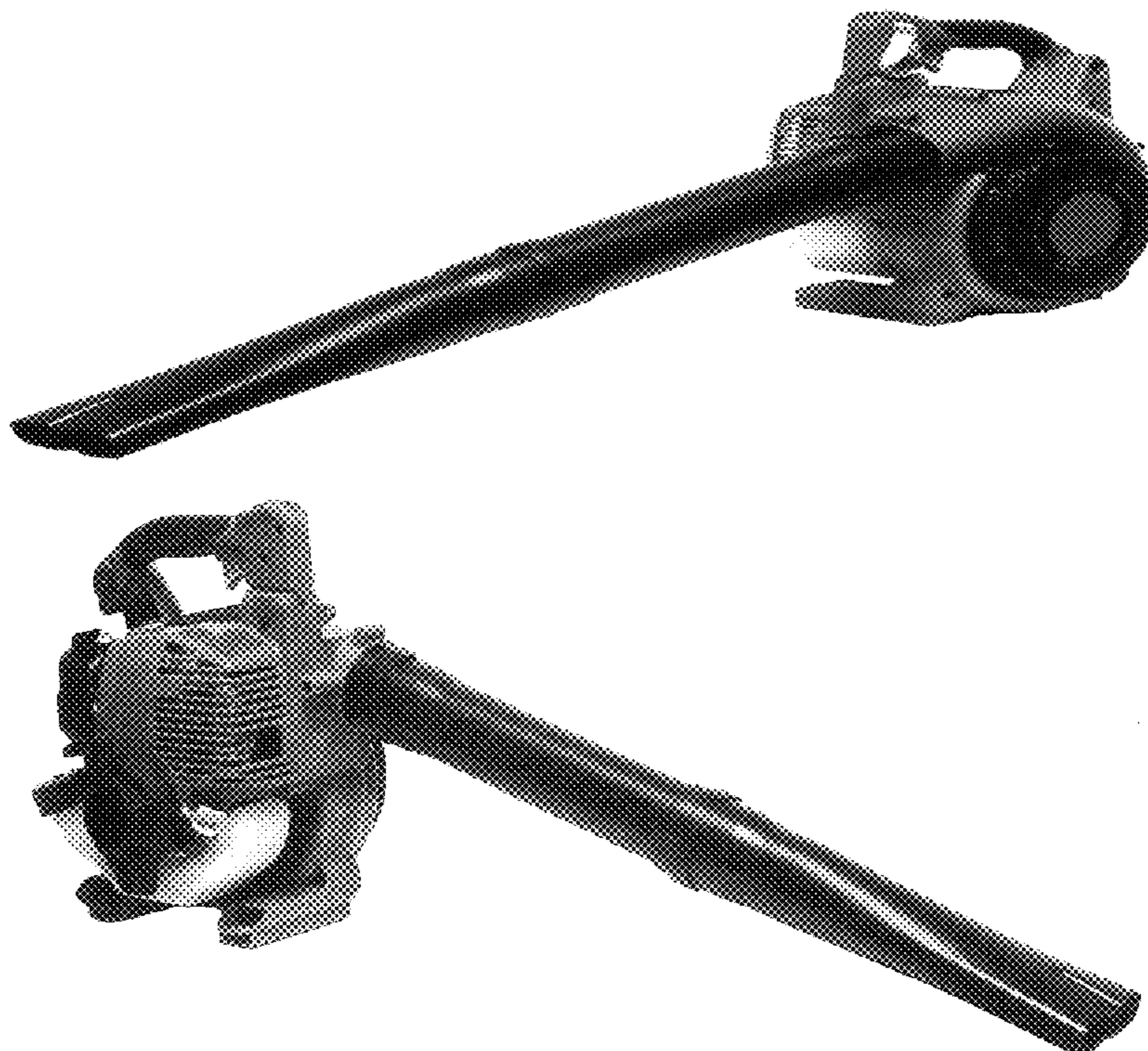


Fig. 1

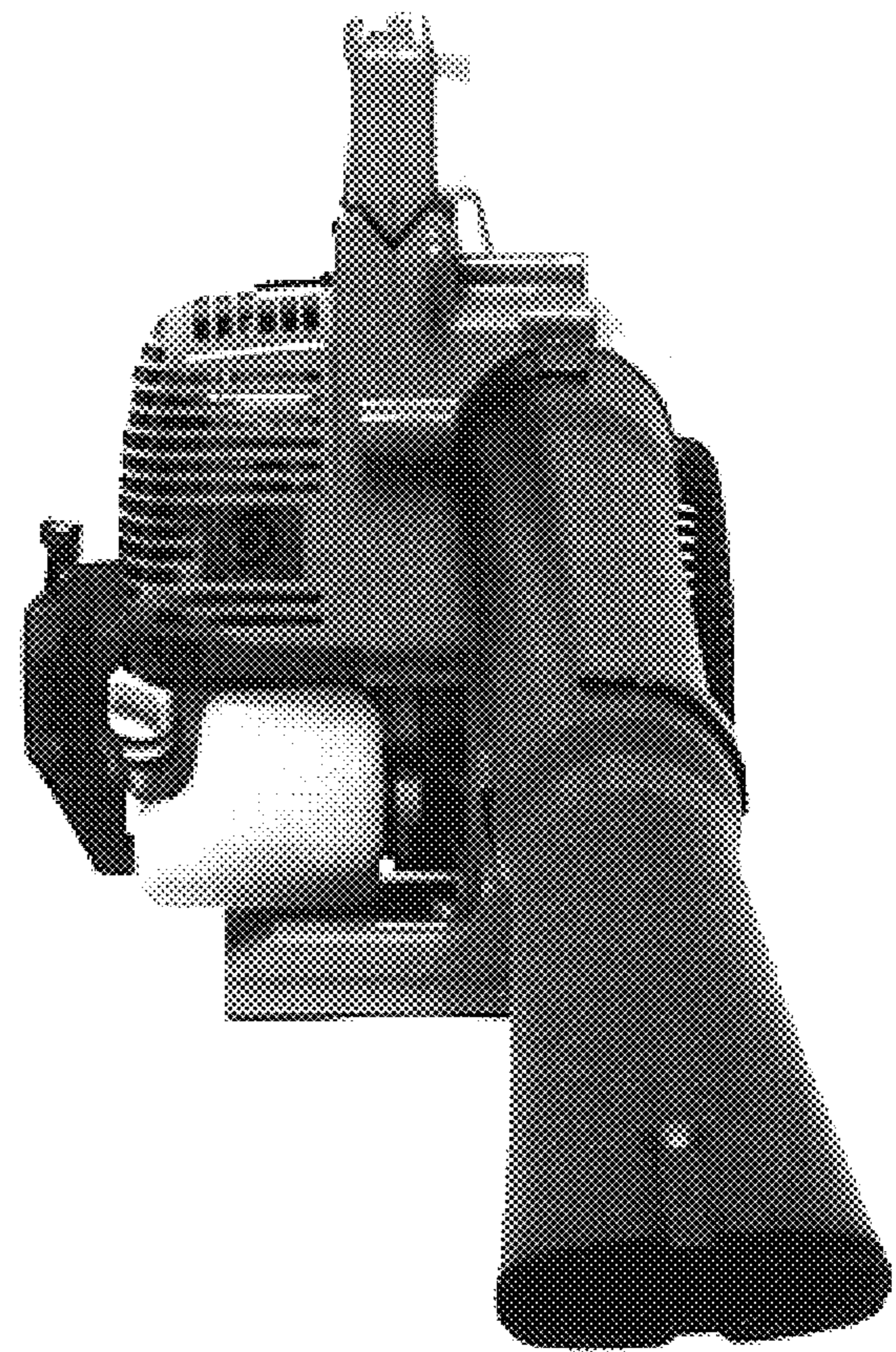
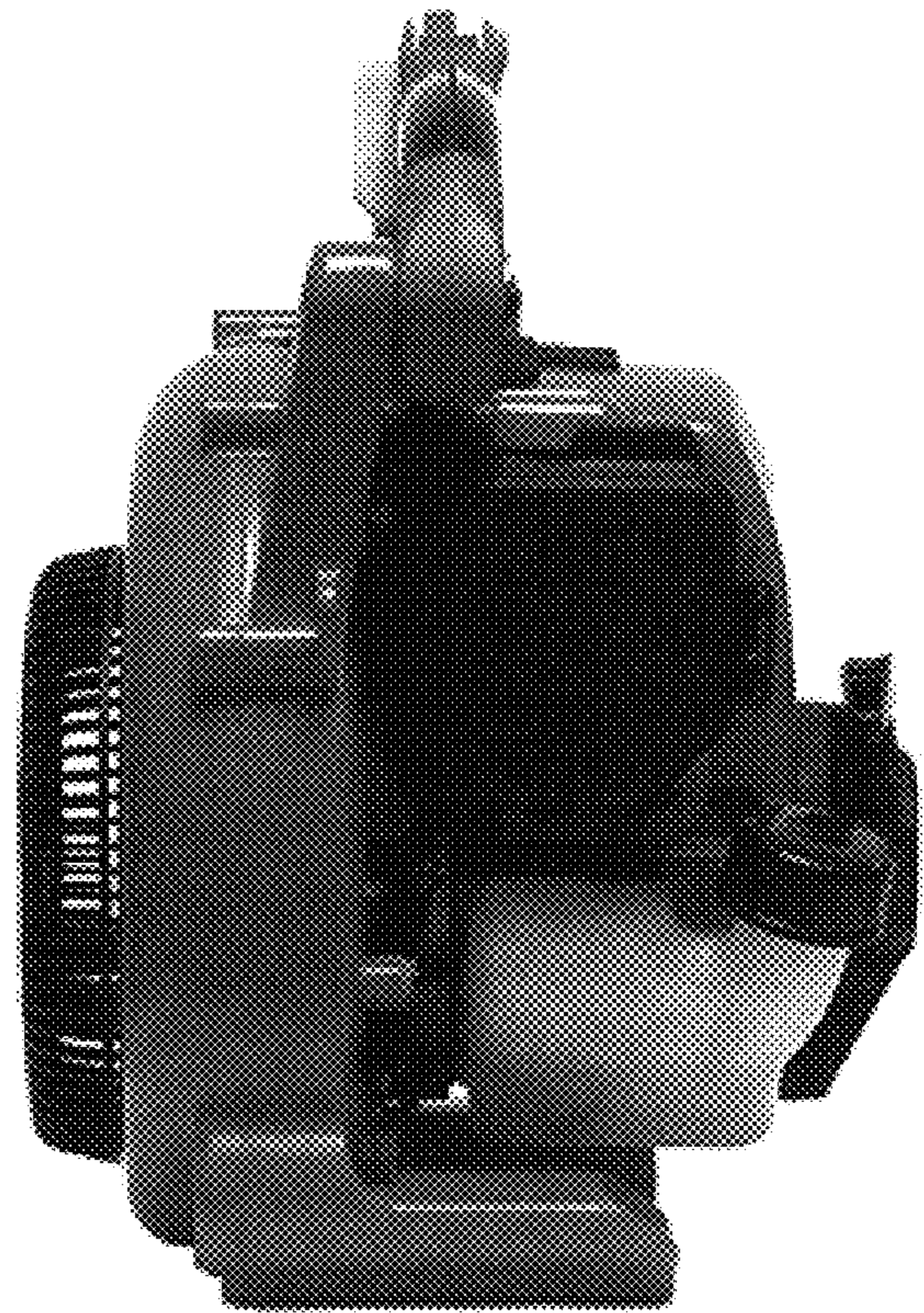


Fig.2



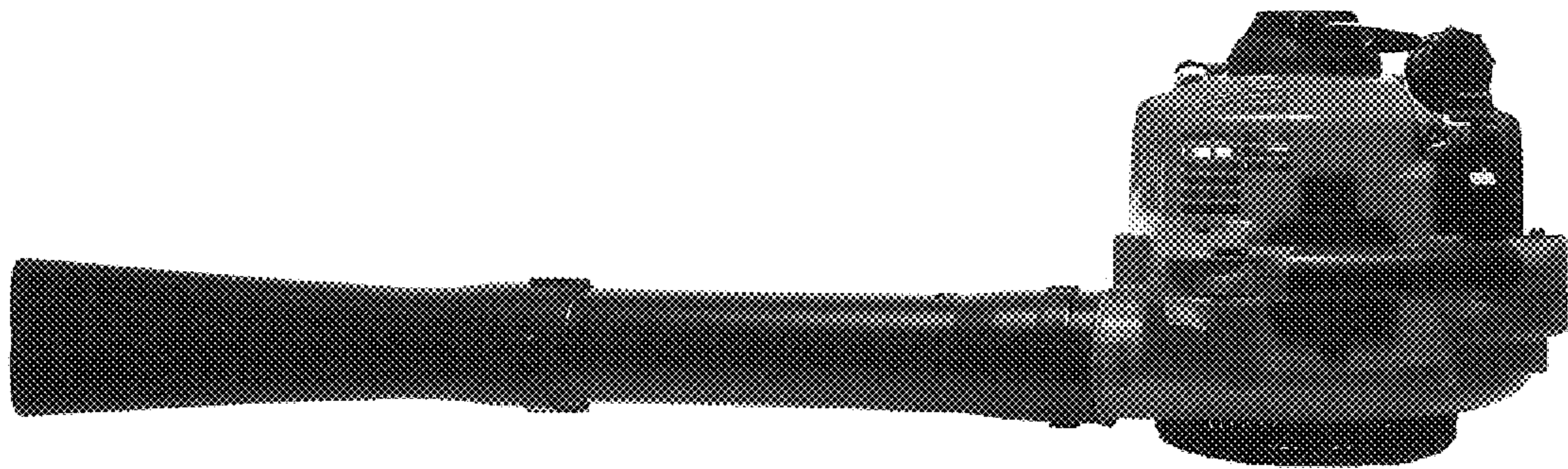


Fig. 3

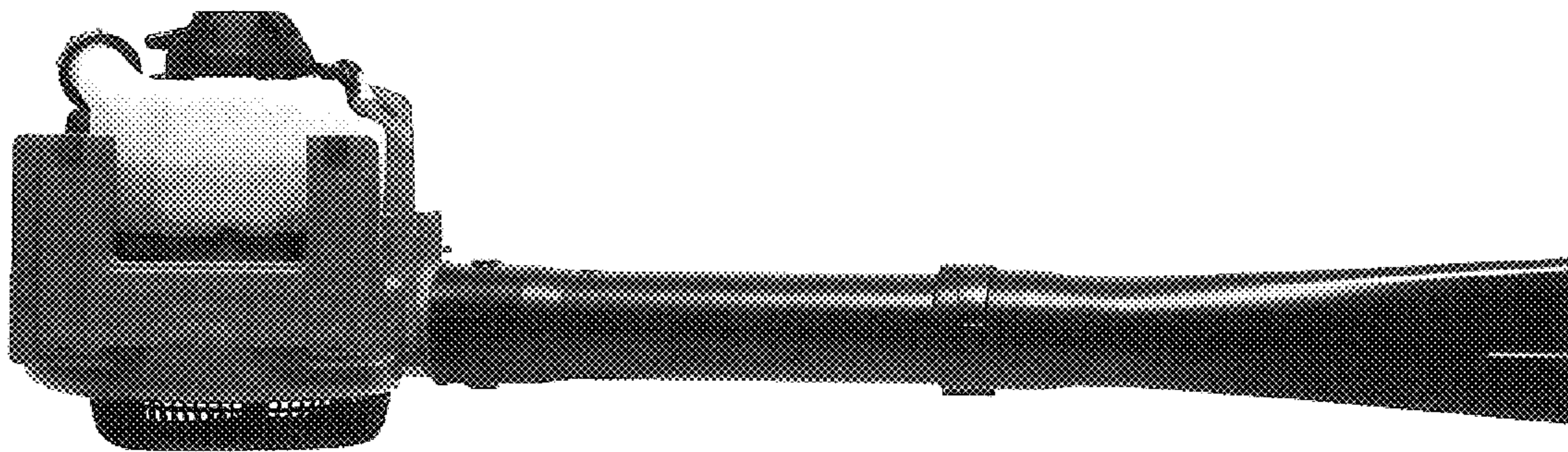


Fig. 4

Fig.5

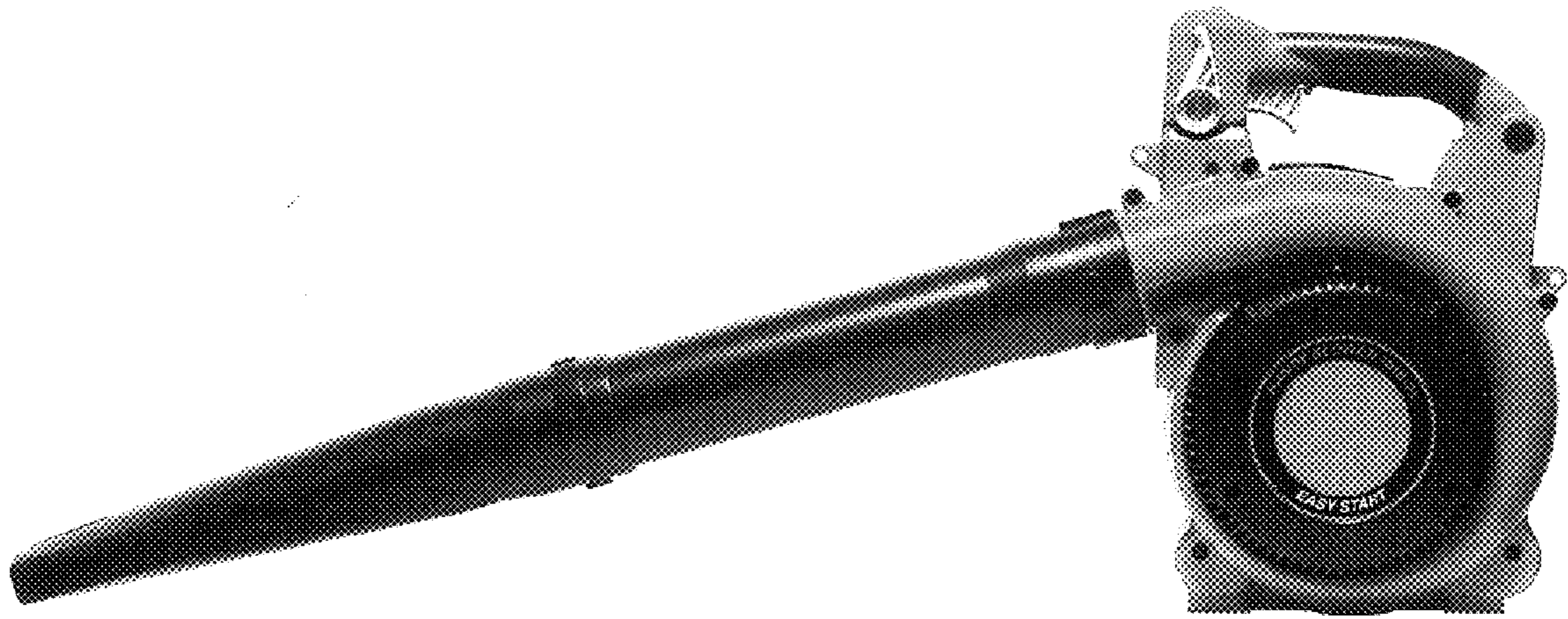


Fig.6

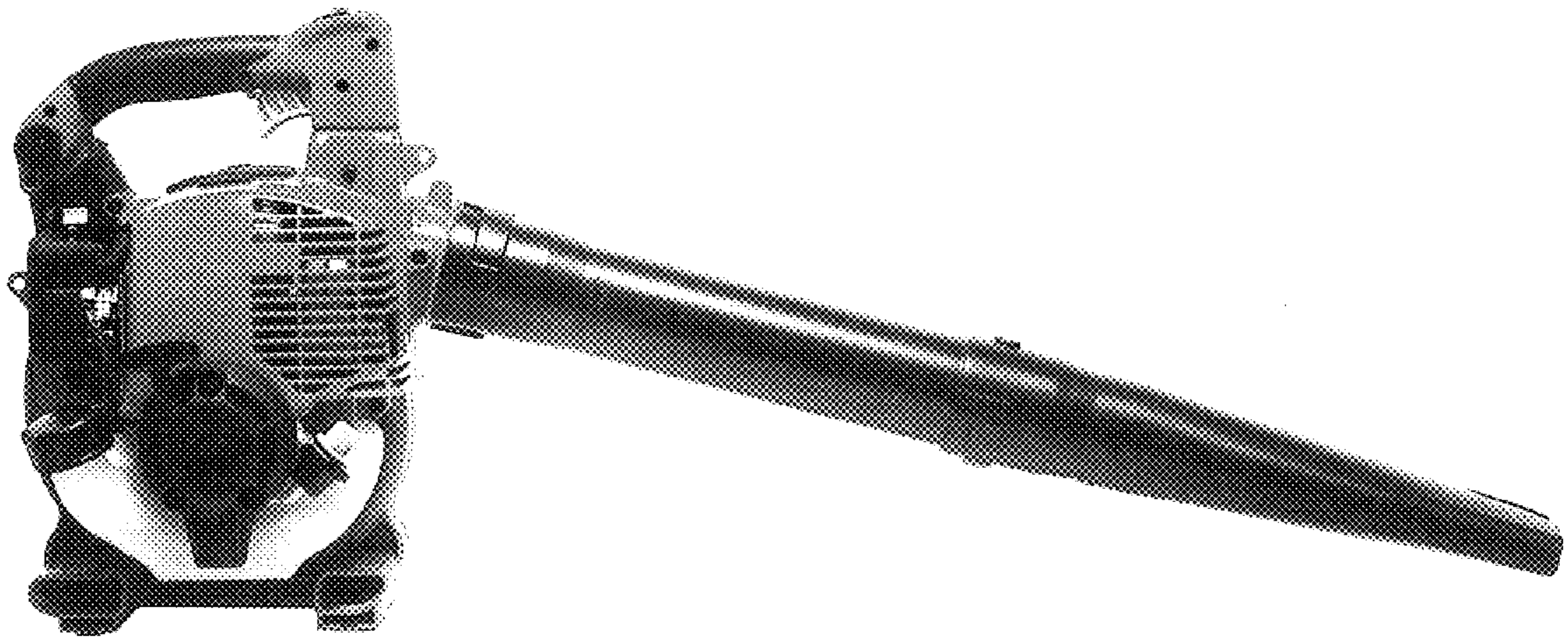


Fig. 7

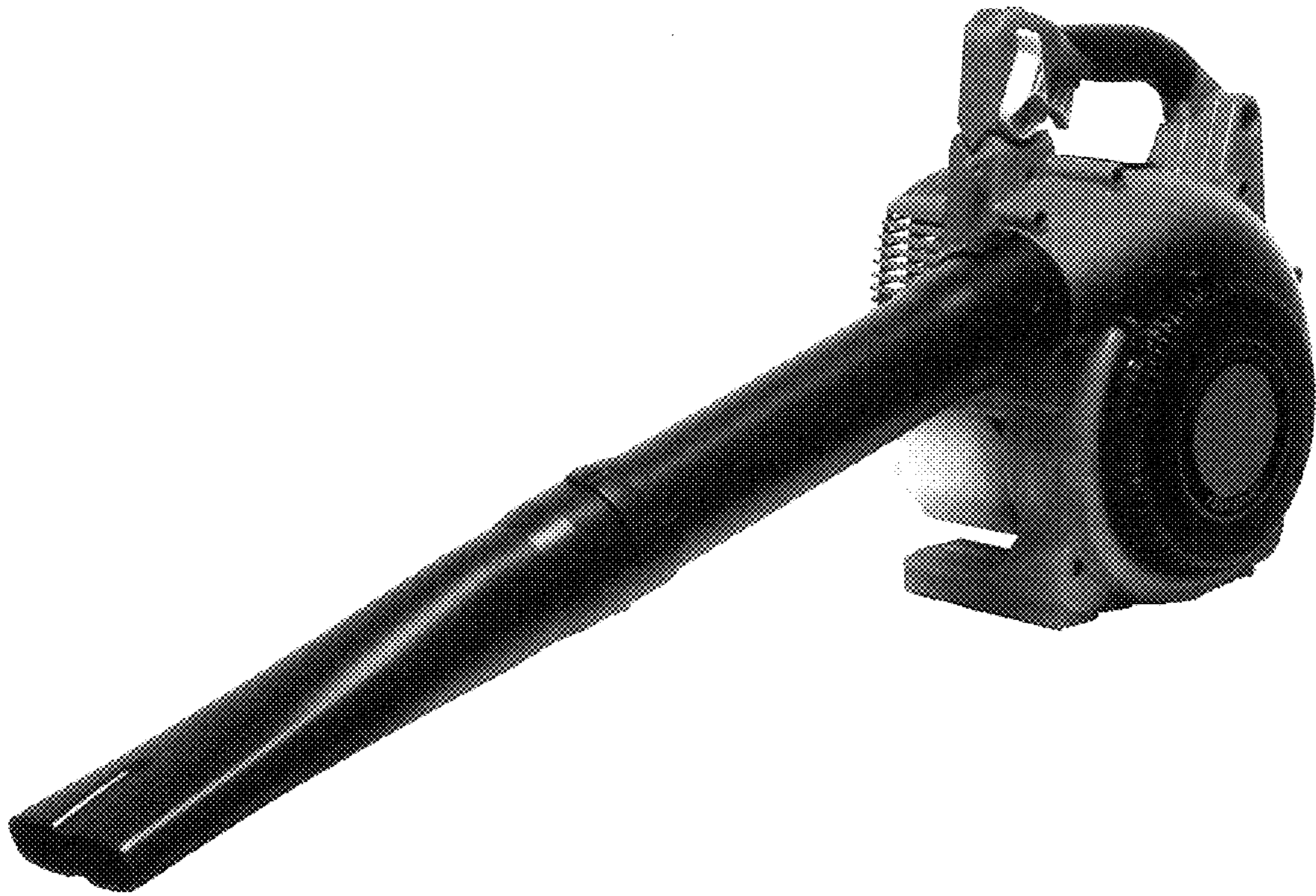


Fig.8

