

US00D526748S

(12) **United States Design Patent**
Van Skiver

(10) **Patent No.:** **US D526,748 S**

(45) **Date of Patent:** **** Aug. 15, 2006**

(54) **LITTER PAN**
(75) Inventor: **Ralph Van Skiver**, Mansfield, TX (US)
(73) Assignee: **Doskocil Manufacturing Company, Inc.**, Arlington, TX (US)
(**) Term: **14 Years**

(21) Appl. No.: **29/223,466**
(22) Filed: **Feb. 15, 2005**

(51) **LOC (8) Cl.** **30-99**
(52) **U.S. Cl.** **D30/161; D32/53.1**
(58) **Field of Classification Search** D30/108,
D30/161; D3/304, 307, 310, 313-315; D6/525,
D6/532; D7/629, 637, 641, 667; D23/289-290,
D23/299; D32/37, 53, 53.1, 55; 4/459-460,
4/484, 553, 656

See application file for complete search history.

(56) **References Cited**

U.S. PATENT DOCUMENTS

221,635 A 11/1879 Wahl et al.
268,862 A 12/1882 Browne
547,314 A 10/1895 Wolfskill
D30,435 S 3/1899 Bradley
1,257,119 A 2/1918 Reynolds
2,469,784 A 5/1949 Quinn
2,634,020 A 4/1953 Bartholomew
2,719,655 A 10/1955 Hellebusch
2,774,511 A 12/1956 Menkin et al.
2,892,561 A 6/1959 Frank
D185,899 S 8/1959 Bernhardt
3,111,932 A 11/1963 Knutson
D203,929 S 3/1966 Lowe, Jr.
3,368,709 A 2/1968 Waller
D214,919 S 8/1969 Moberger
3,745,975 A 7/1973 Prucha
3,829,926 A 8/1974 Salladay
3,831,557 A 8/1974 Elesh
4,024,590 A 5/1977 Wendt
4,217,857 A 8/1980 Geddie
4,326,481 A 4/1982 Gruss
D288,253 S 2/1987 Hatton et al.

5,046,636 A 9/1991 Coskery
D327,560 S 6/1992 Hradisky
5,167,204 A 12/1992 Nussle
5,195,464 A 3/1993 Mutter
5,272,999 A 12/1993 Nussle
5,310,079 A * 5/1994 Sandy et al. 220/771
5,329,879 A 7/1994 Walton
5,355,837 A 10/1994 Reyes
5,365,883 A 11/1994 Laviolette
5,381,562 A 1/1995 Holloway et al.
5,400,916 A 3/1995 Weber
5,499,610 A 3/1996 Bruner et al.
5,507,248 A 4/1996 Gabbert
5,555,844 A 9/1996 Kolomeyer
5,564,366 A 10/1996 Hancock
5,590,623 A 1/1997 Toole et al.
5,598,811 A 2/1997 Merchant
D380,880 S 7/1997 Reid
5,673,648 A 10/1997 Ayle
5,690,051 A 11/1997 Fisher et al.
D388,560 S 12/1997 Savicki
5,701,844 A 12/1997 Murphy
D389,621 S 1/1998 Short et al.
5,713,302 A 2/1998 Walter
D392,431 S * 3/1998 Schallern D32/37
5,755,182 A 5/1998 Brown, Jr. et al.
5,791,289 A 8/1998 Savicki

(Continued)

Primary Examiner—Cathy Anne MacCormac
(74) *Attorney, Agent, or Firm*—Locke Liddell & Sapp LLP

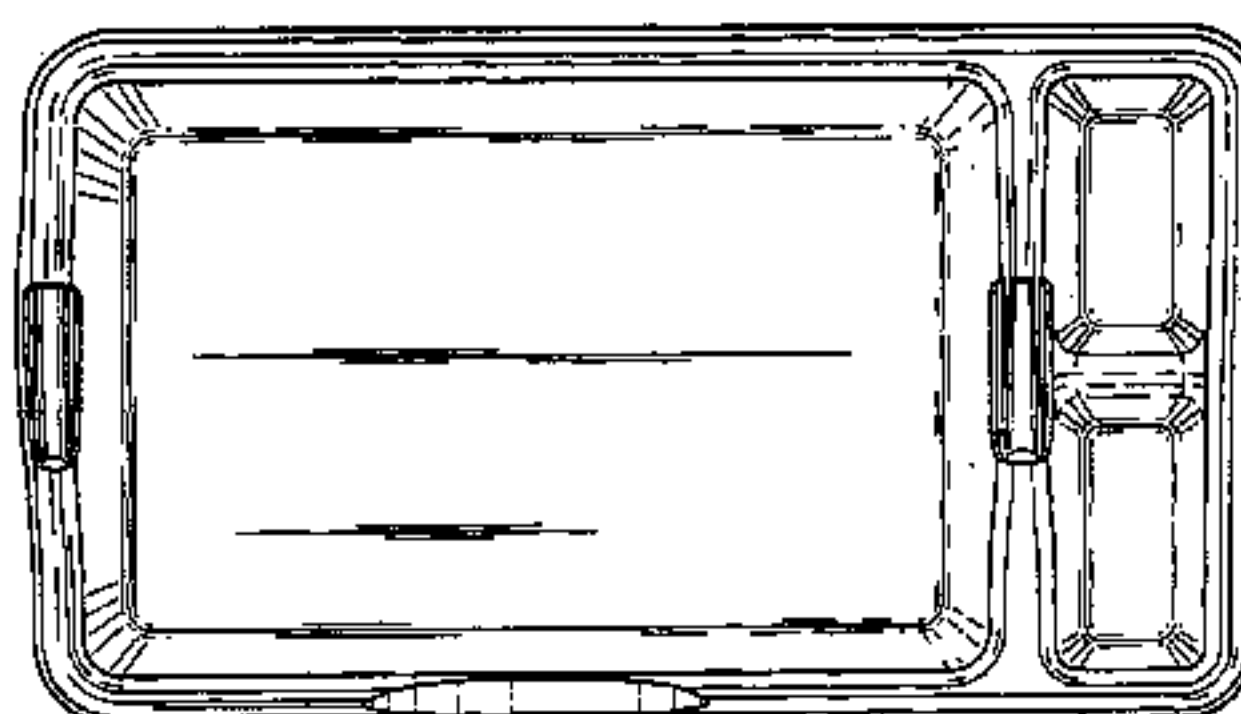
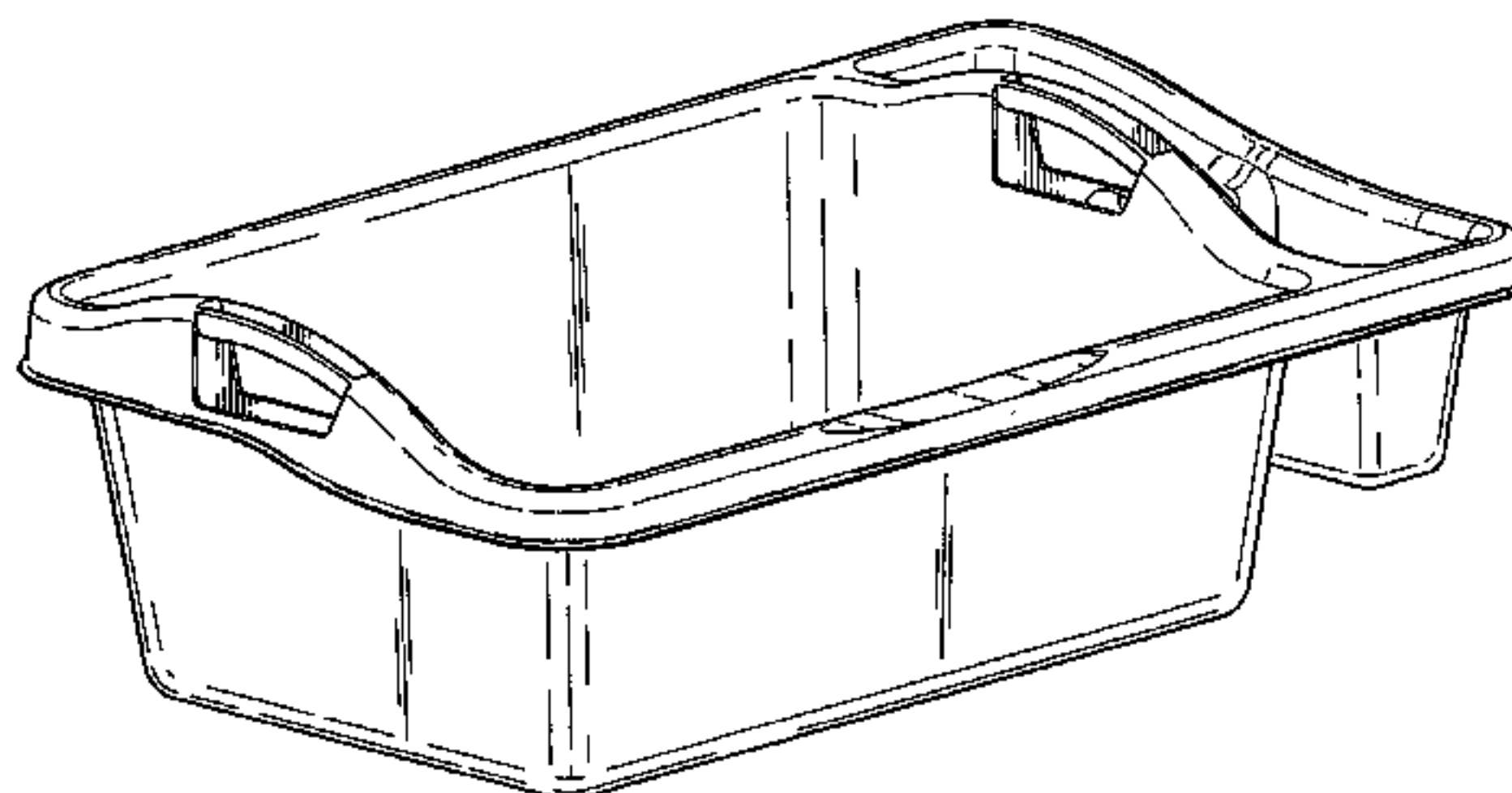
(57) **CLAIM**

The ornamental design for a litter pan, as shown and described.

DESCRIPTION

FIG. 1 is a front perspective view of my new litter pan;
FIG. 2 is a top plan view thereof,
FIG. 3 is a left side elevational view thereof;
FIG. 4 is a right side elevational view thereof;
FIG. 5 is a front elevational view thereof;
FIG. 6 is a rear elevational view thereof; and,
FIG. 7 is a bottom perspective view thereof.

1 Claim, 4 Drawing Sheets



US D526,748 S

Page 2

U.S. PATENT DOCUMENTS			
5,797,346	A	8/1998	Lewis
D397,833	S	* 9/1998	Adams Zurawin D32/53.1
5,887,546	A	3/1999	Gruel
D408,599	S	4/1999	Vice et al.
5,893,336	A	4/1999	Vice et al.
5,971,201	A	10/1999	Daw
6,095,088	A	8/2000	Savicki
D453,243	S	1/2002	Burke
6,354,243	B1	3/2002	Lewis, II et al.
6,408,790	B1	6/2002	Maguire
D467,044	S	12/2002	Tangolics
6,494,165	B1	12/2002	Asbury
6,532,604	B1	3/2003	Moser
6,561,130	B1	5/2003	Sage, Jr.
6,622,884	B1	9/2003	Gartner
6,742,476	B1	6/2004	Sage, Jr.
6,837,180	B1	1/2005	Billi et al.
2003/0051672	A1	3/2003	Gordon et al.
2004/0083981	A1	5/2004	Nye et al.

* cited by examiner

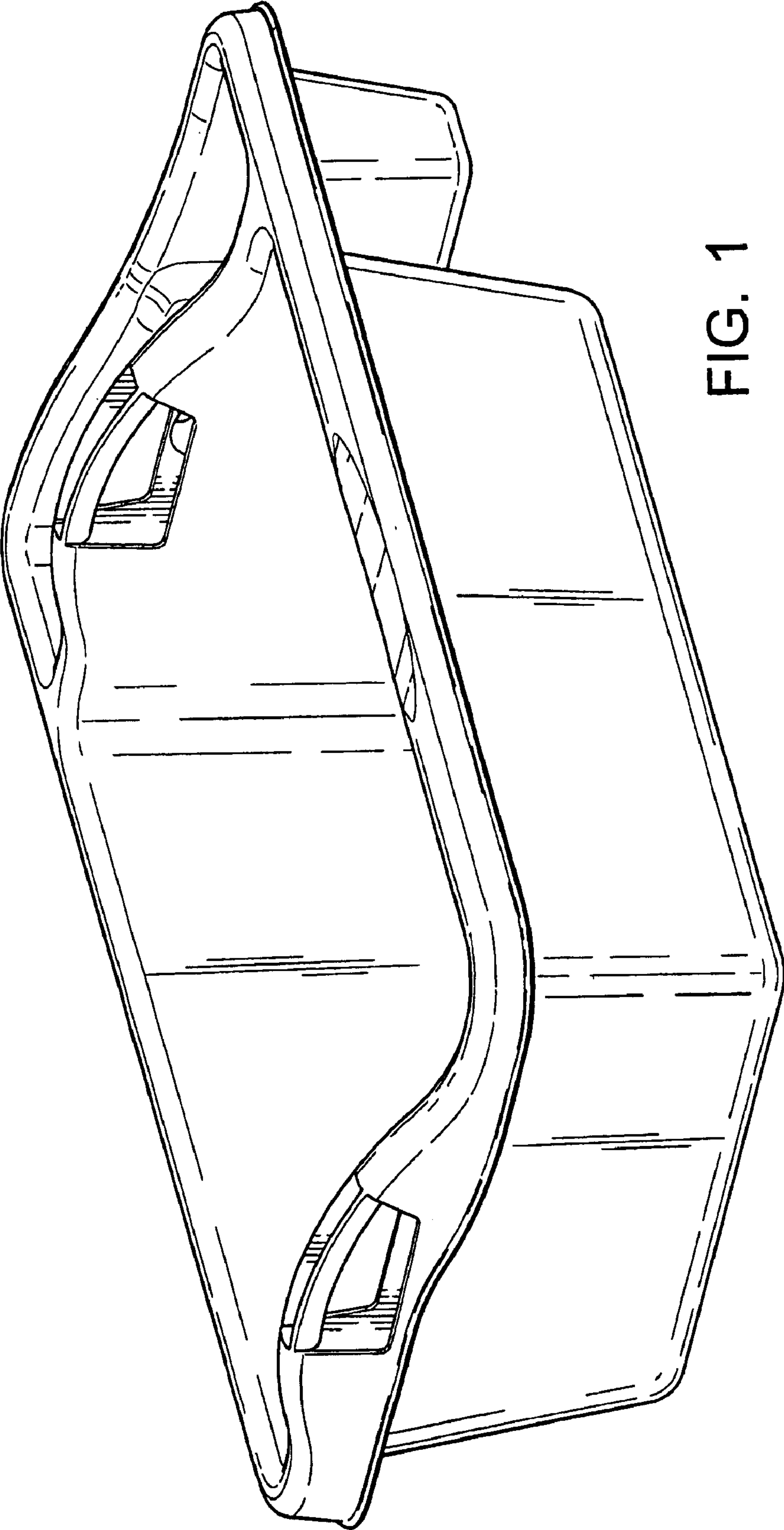


FIG. 1

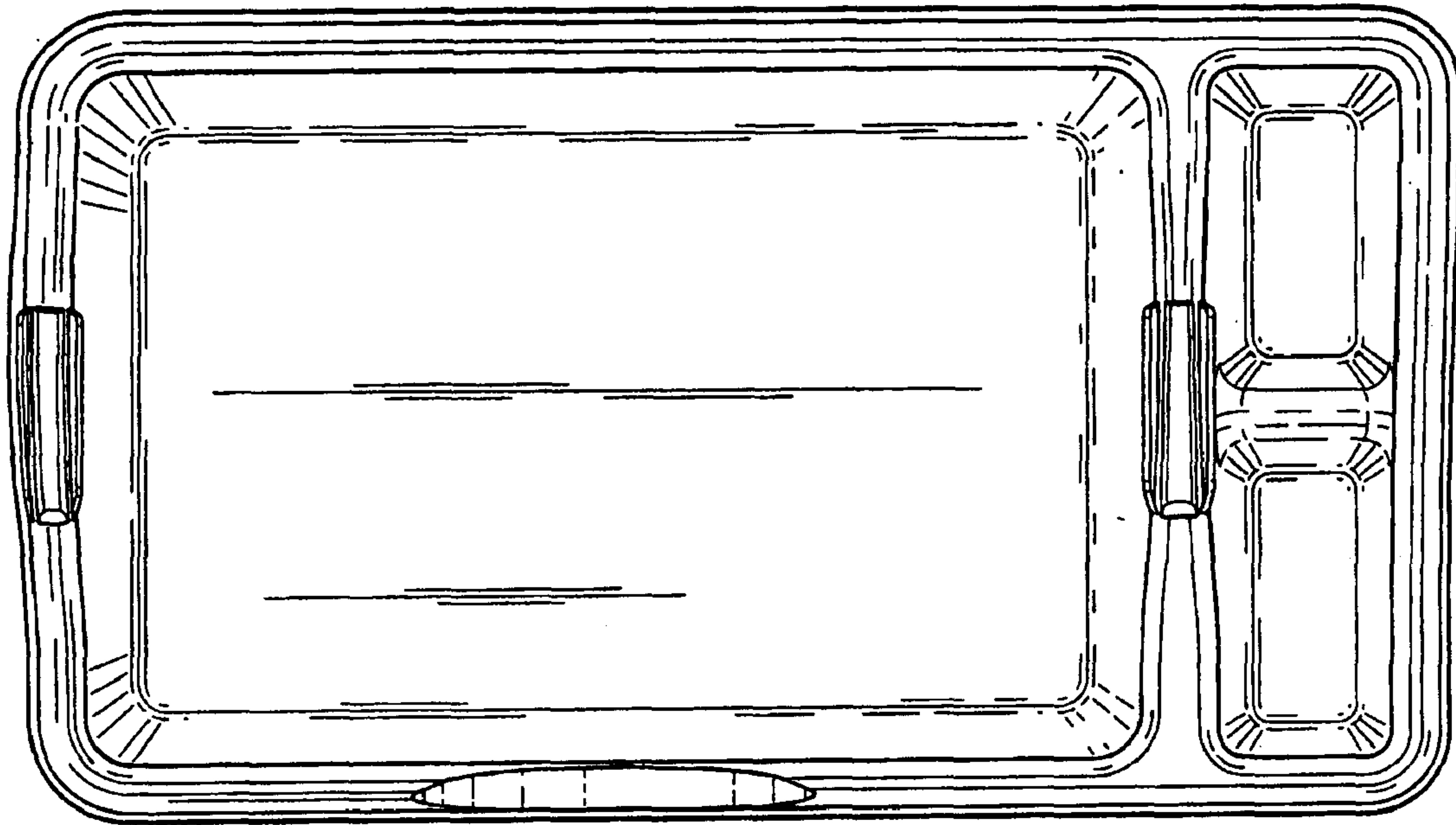


FIG. 2

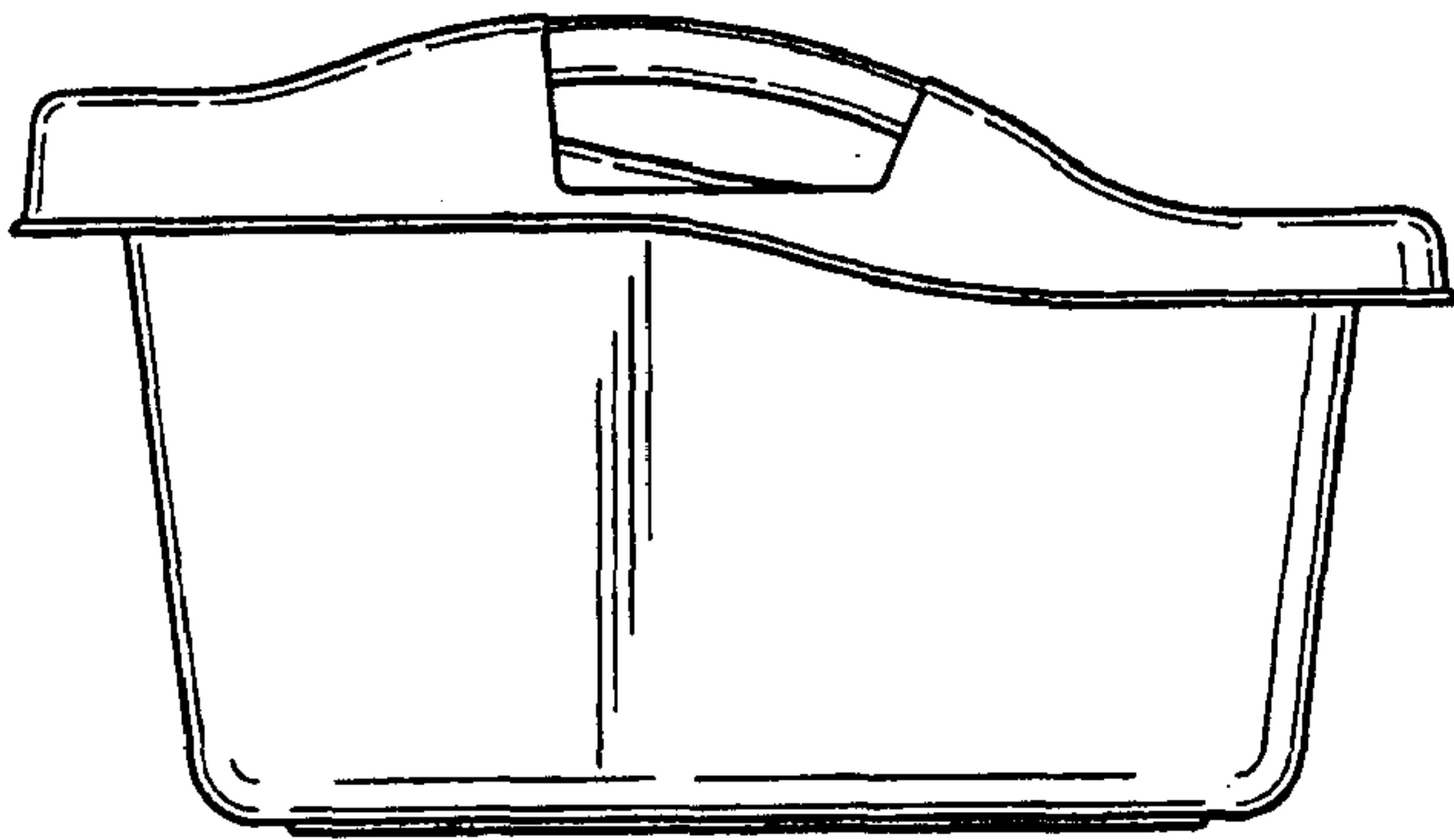


FIG. 3

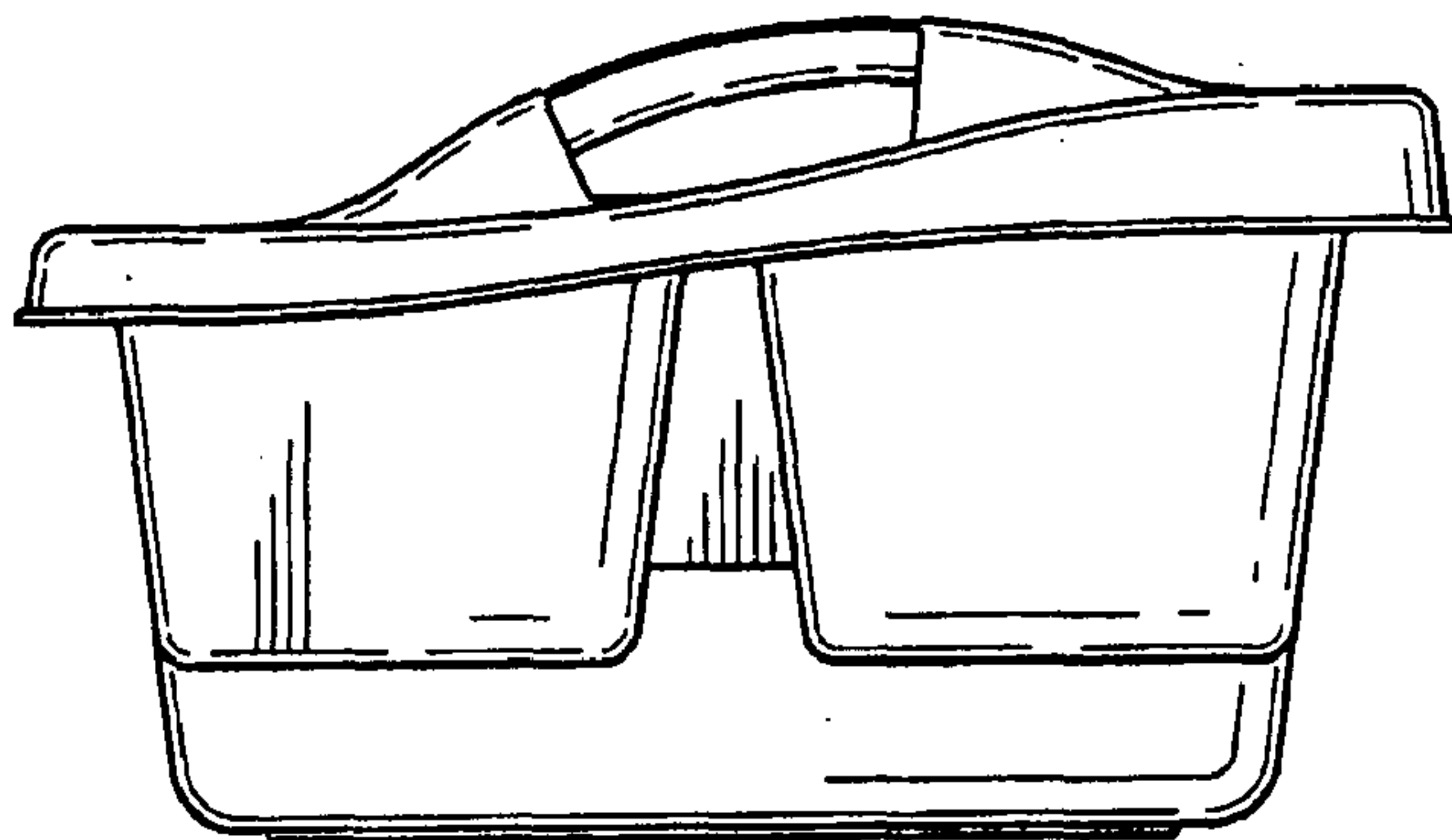


FIG. 4

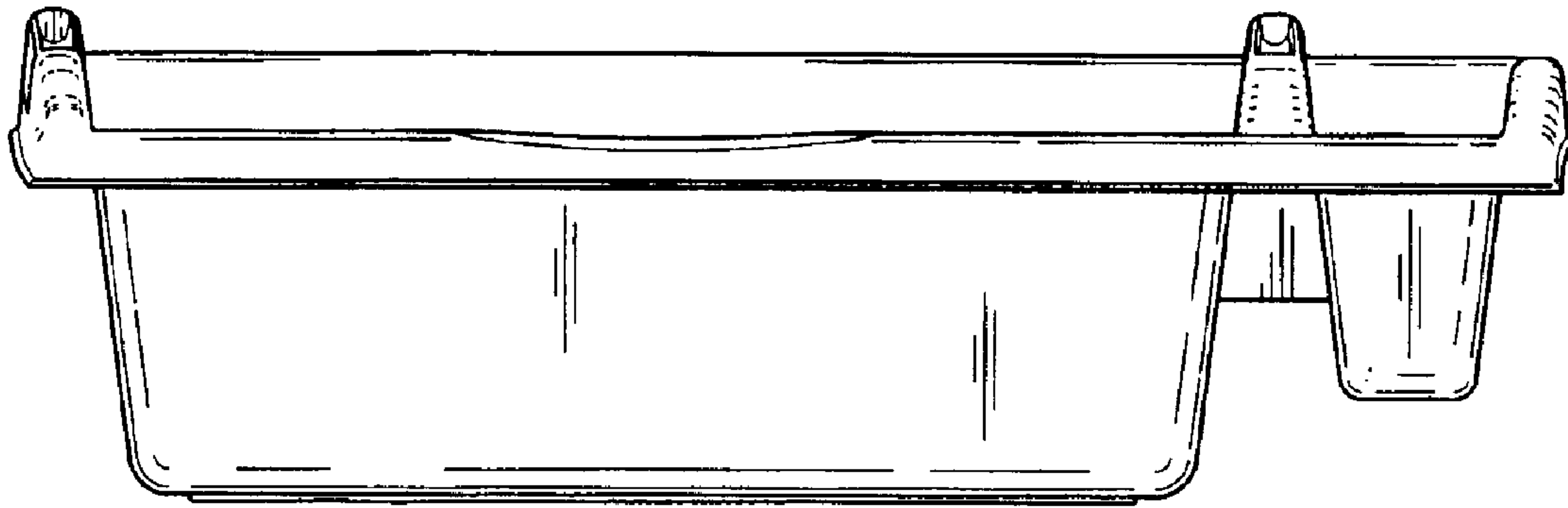


FIG. 5

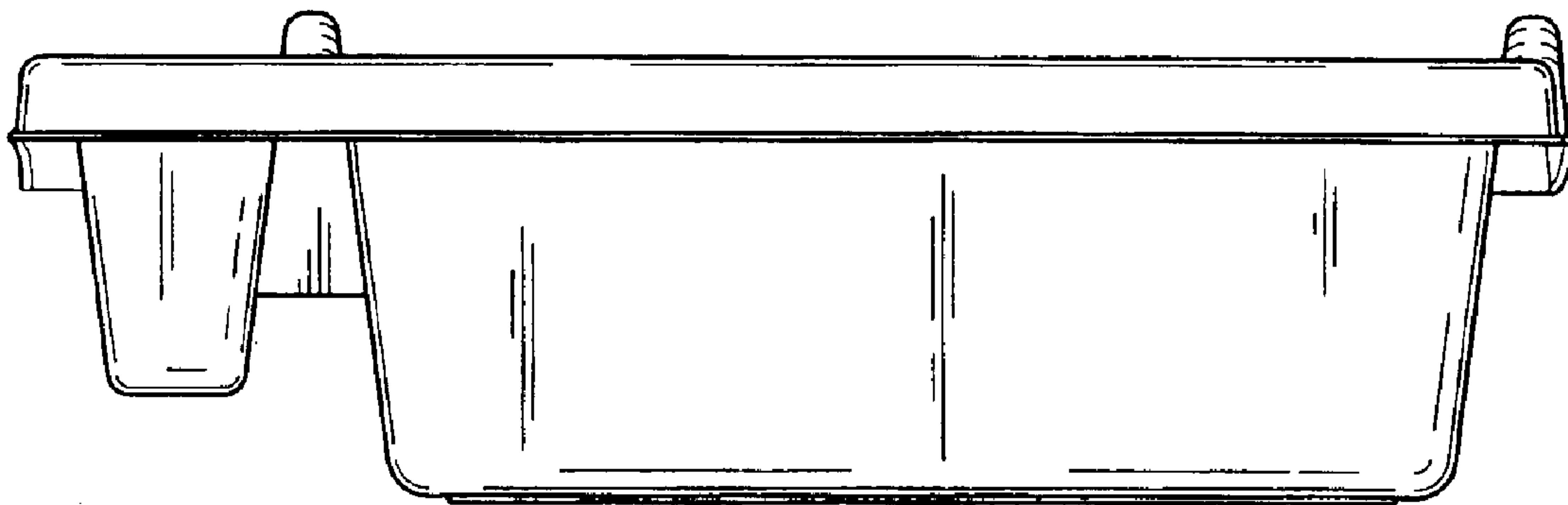


FIG. 6

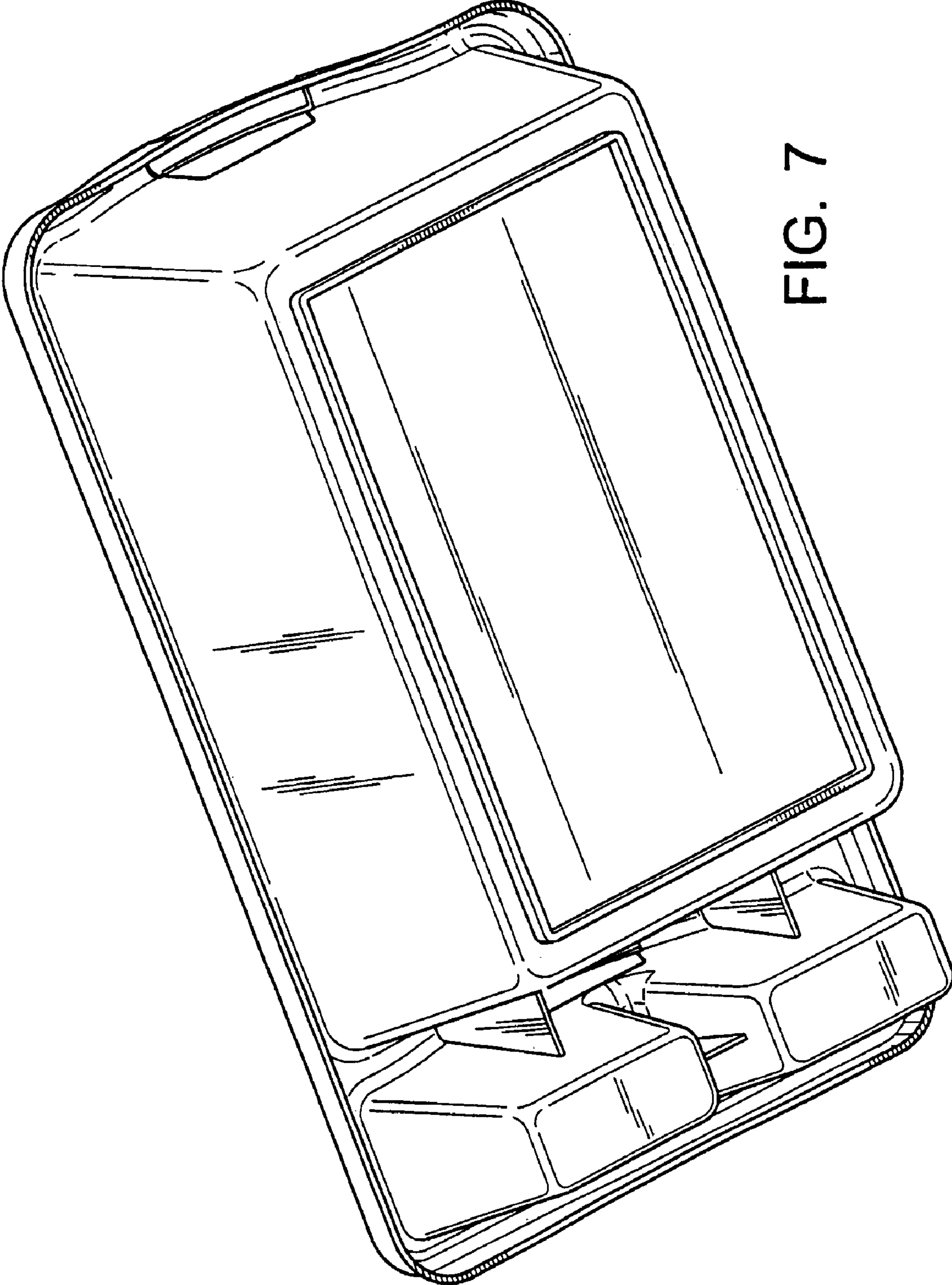


FIG. 7