



US00D526740S

(12) **United States Design Patent**  
**Xu**

(10) **Patent No.:** **US D526,740 S**

(45) **Date of Patent:** **\*\* Aug. 15, 2006**

(54) **LIGHTER**

(75) Inventor: **Wen Xu**, Wenzhou (CN)

(73) Assignee: **Zreative Product Inc.**, El Monte, CA (US)

(\*\*) Term: **14 Years**

(21) Appl. No.: **29/227,376**

(22) Filed: **Apr. 12, 2005**

(51) **LOC (8) Cl.** ..... **27-05**

(52) **U.S. Cl.** ..... **D27/148**; D27/152

(58) **Field of Classification Search** ..... D27/141,  
D27/142, 148-161; 273/260, 261, 269; D21/390,  
D21/503; 431/125, 253

See application file for complete search history.

(56) **References Cited**

**U.S. PATENT DOCUMENTS**

1,738,451 A	*	12/1929	Schreer	.....	D27/157
D156,392 S	*	12/1949	Wiggins	.....	D27/157
D192,757 S	*	5/1962	Foss et al.	.....	D21/390
D237,724 S	*	11/1975	Garaventa	.....	D21/390

D240,053 S	*	5/1976	Garaventa	.....	D21/390
D272,859 S	*	2/1984	Bulgari	.....	D27/157
5,779,239 A	*	7/1998	Lind	.....	273/260
D506,571 S	*	6/2005	Chen	.....	D27/152

**OTHER PUBLICATIONS**

Poker Chip Lighter, The Legend of the Lighter, Dec. 1995.\*

\* cited by examiner

*Primary Examiner*—Jennifer Rivard

(74) *Attorney, Agent, or Firm*—Qin Zhang

(57) **CLAIM**

The ornamental design for a lighter, as shown and described.

**DESCRIPTION**

FIG. 1 is a top, front and left side perspective view of a lighter showing my new design;

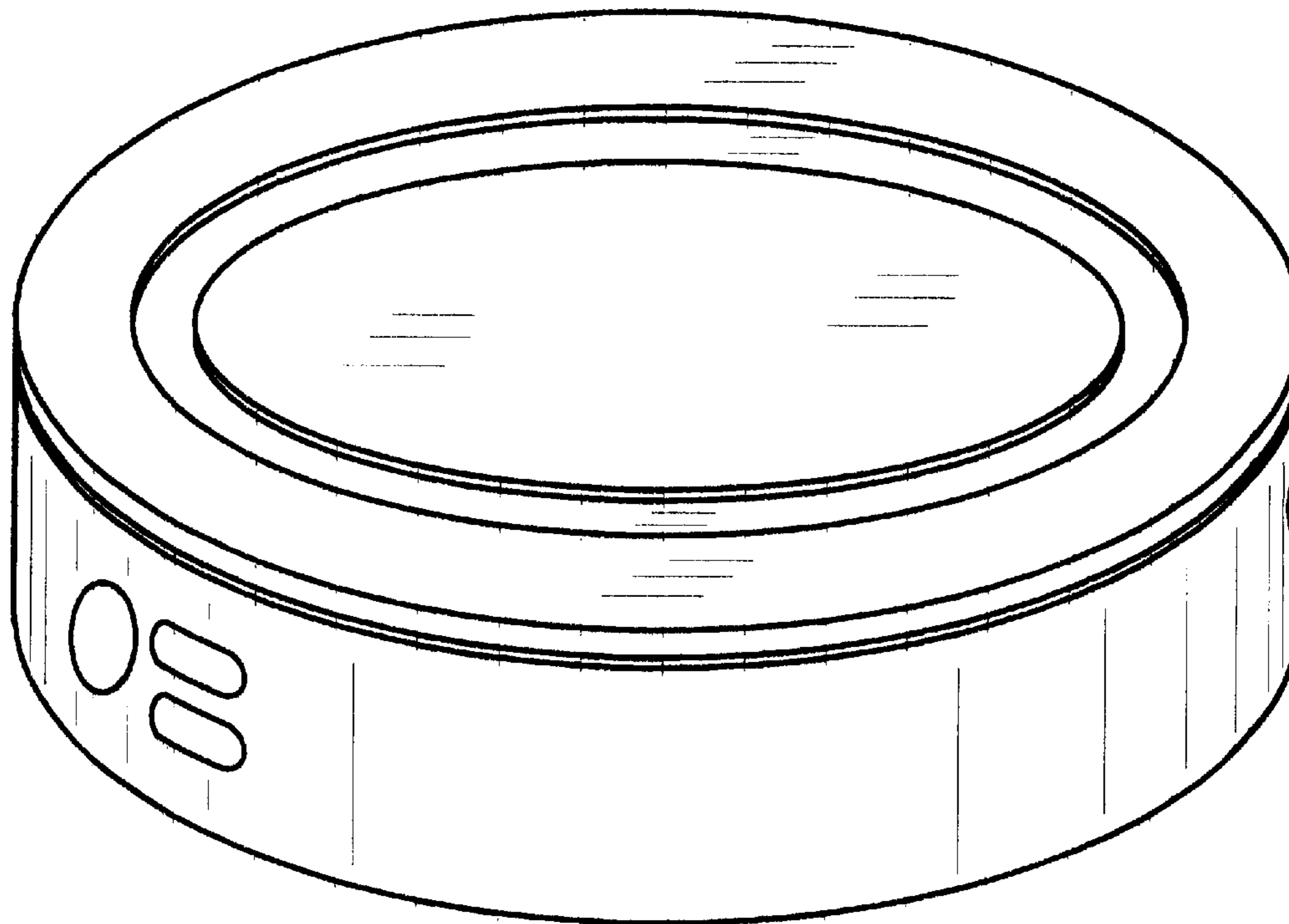
FIG. 2 is a top plan view thereof, the bottom plan view being a mirror image thereof;

FIG. 3 is a front elevational view thereof;

FIG. 4 is a rear elevational view thereof; and,

FIG. 5 is a right side elevational view thereof.

**1 Claim, 5 Drawing Sheets**



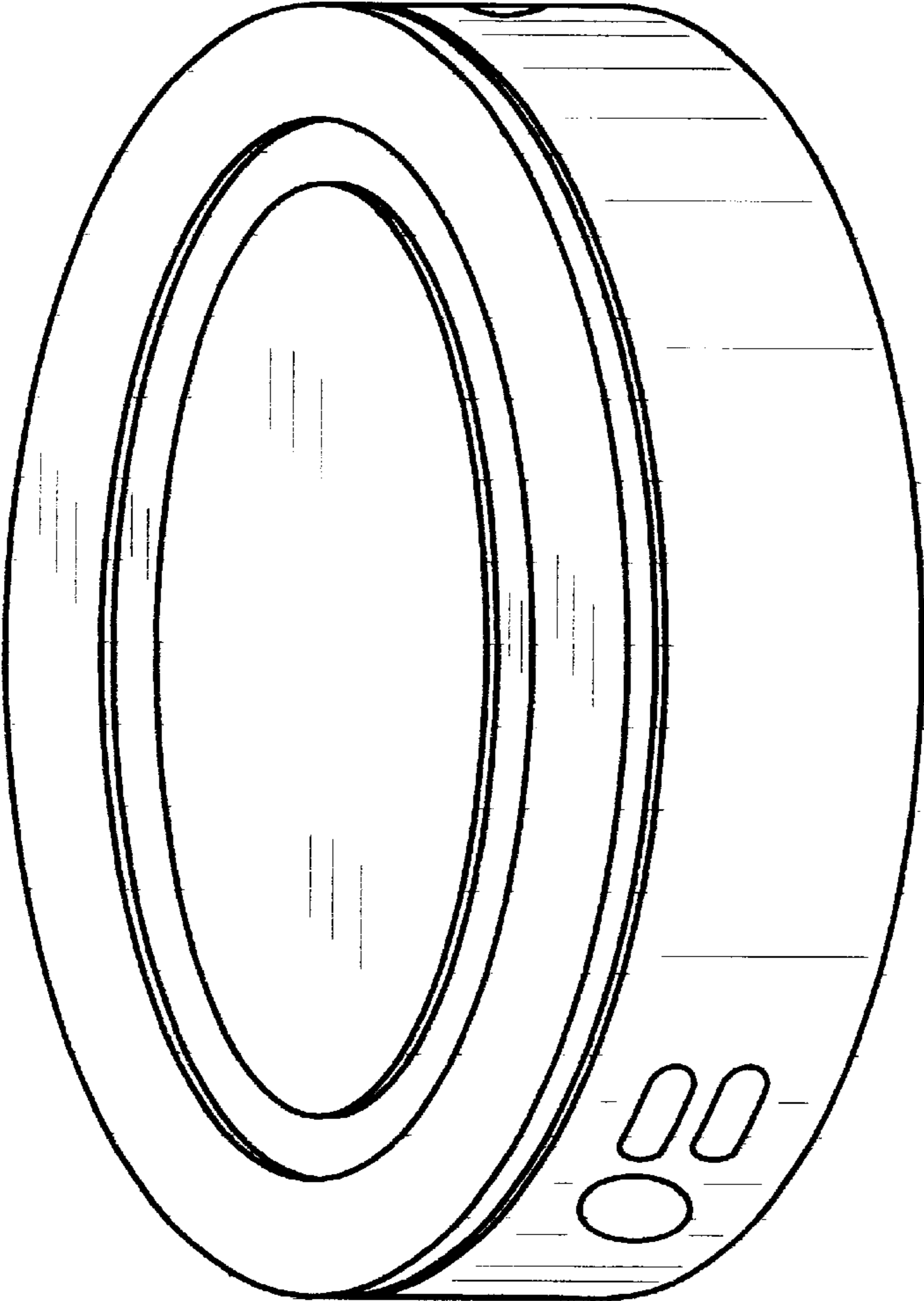


FIG. 1

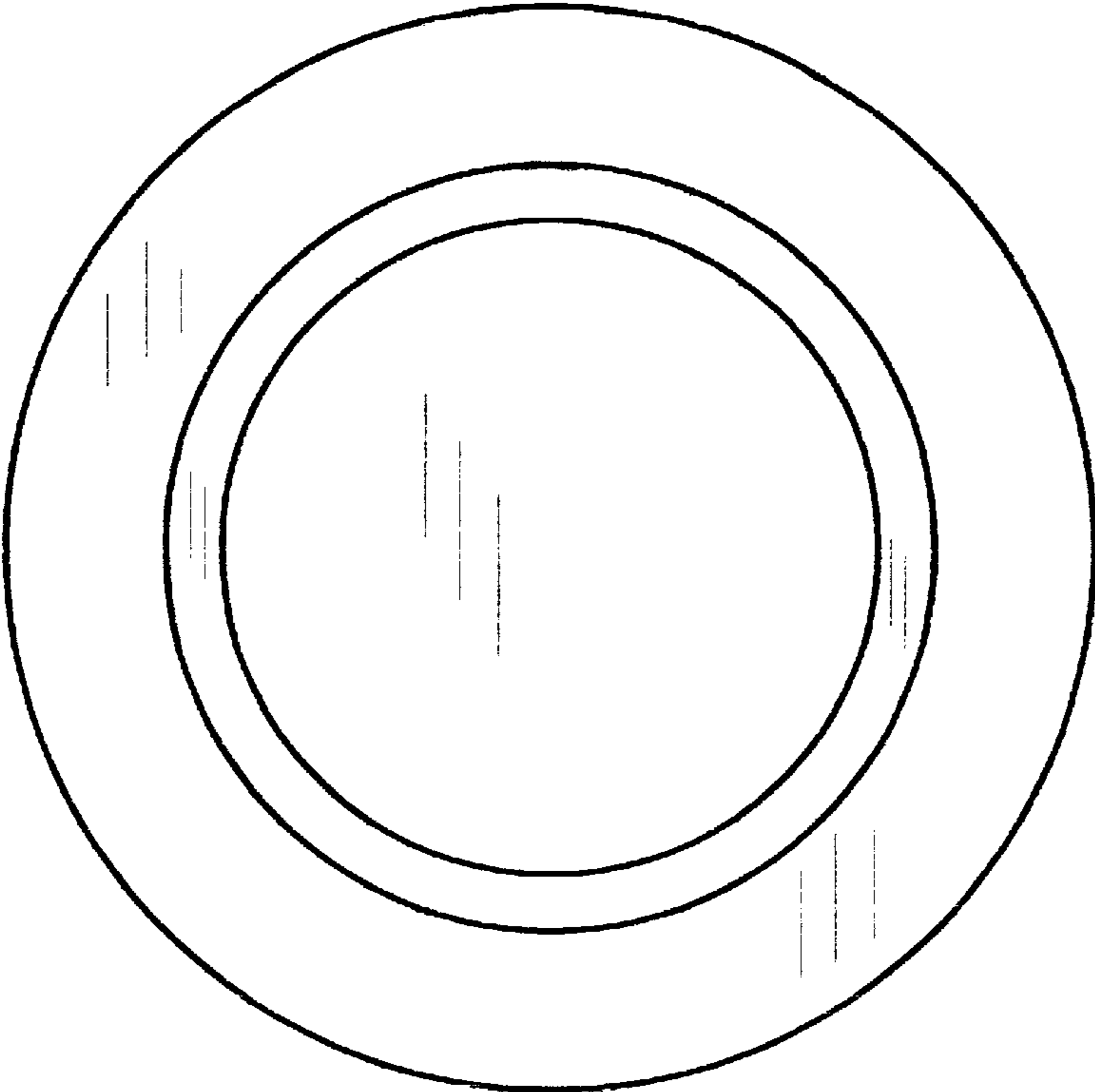


FIG. 2

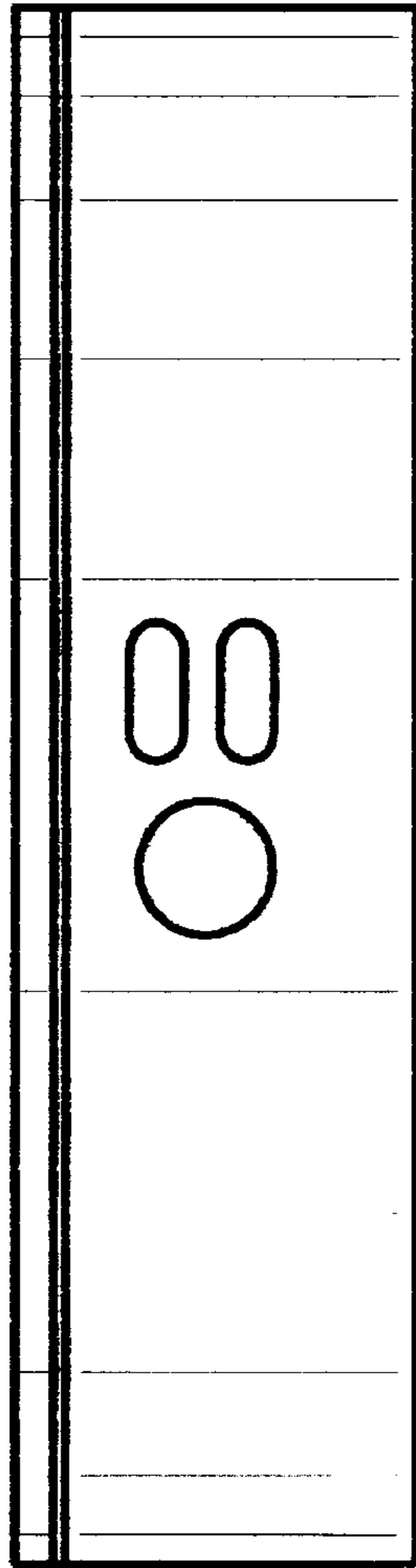


FIG. 3

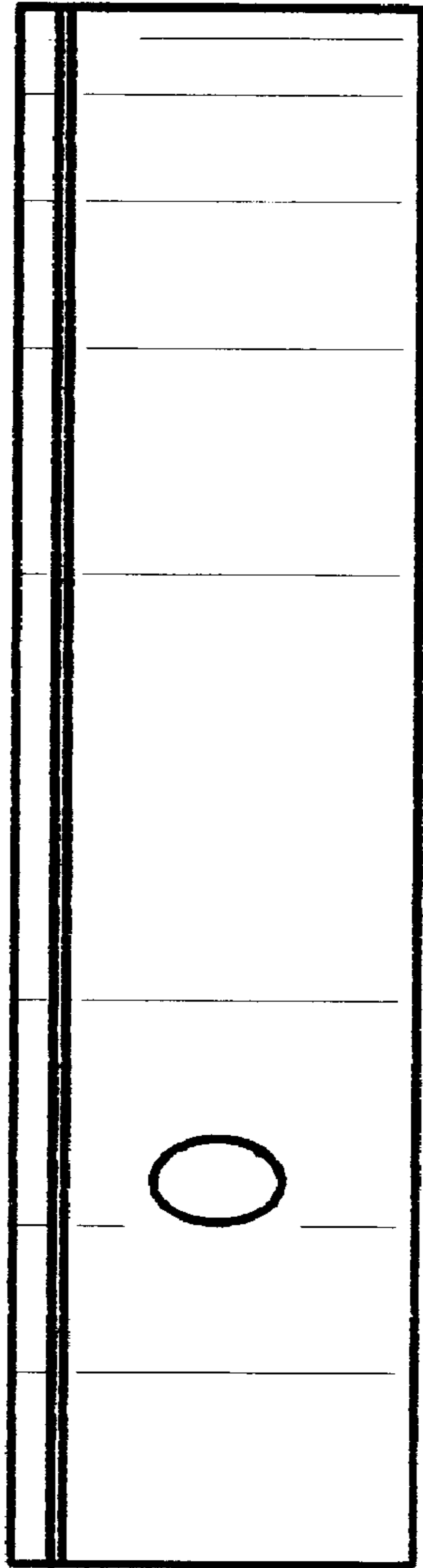


FIG.4

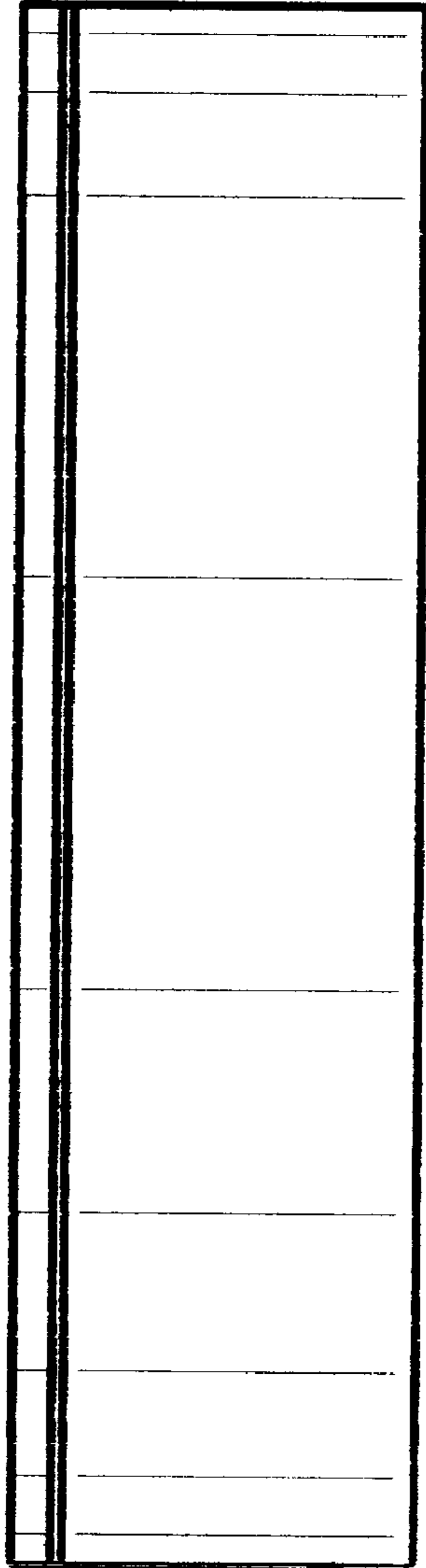


FIG. 5