

US00D526735S

(12) **United States Design Patent**  
**Targetti**

(10) **Patent No.:** **US D526,735 S**

(45) **Date of Patent:** **\*\* Aug. 15, 2006**

(54) **LIGHTING APPARATUS WITH PIVOTABLE LAMPS**

4,389,699 A \* 6/1983 Qualls ..... 362/217  
D495,080 S \* 8/2004 Wilmotte ..... D26/63

(75) Inventor: **Giampaolo Targetti**, Florence (IT)

\* cited by examiner

(73) Assignee: **Targetti Sankey S.p.A.**, Florence (IT)

*Primary Examiner*—Alan P. Douglas

*Assistant Examiner*—Linda Brooks

(\*\*) Term: **14 Years**

(74) *Attorney, Agent, or Firm*—Pollack, P.C.; Grant E. Pollack

(21) Appl. No.: **29/201,911**

(57) **CLAIM**

(22) Filed: **Mar. 22, 2004**

The ornamental design for a lighting apparatus with pivotable lamps, substantially as shown and described.

(30) **Foreign Application Priority Data**

Sep. 23, 2003 (EM) ..... 78704

**DESCRIPTION**

(51) **LOC (8) Cl.** ..... **26-05**

FIG. 1 is a perspective view of my new design;

(52) **U.S. Cl.** ..... **D26/63**

FIG. 2 is a front elevational view of the design set forth in FIG. 1;

(58) **Field of Classification Search** ..... D26/60–91,  
D26/102; 362/410–414, 227, 233, 236–244,  
362/217, 431

FIG. 3 is a right side elevational view of the design set forth in FIG. 1, the left side view being a mirror image thereof; FIG. 4 is a top plan view of the design set forth in FIG. 1; and,

See application file for complete search history.

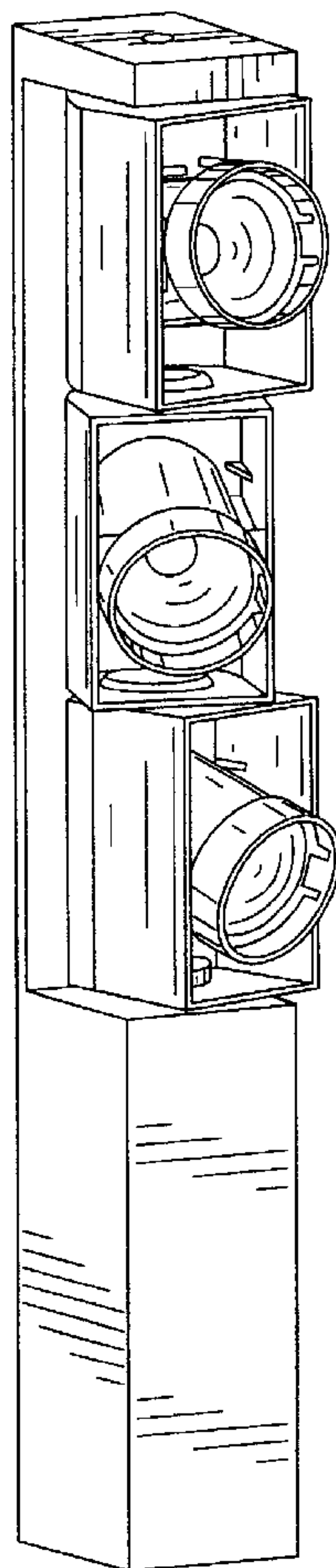
FIG. 5 is a top plan view of the design set forth in FIG. 1, with pivotable lamps in an alternate position.

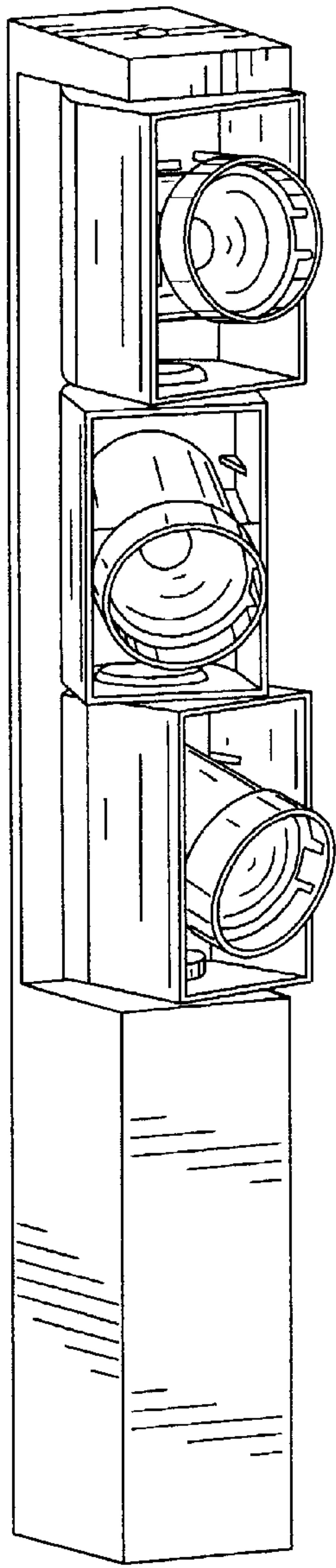
(56) **References Cited**

**U.S. PATENT DOCUMENTS**

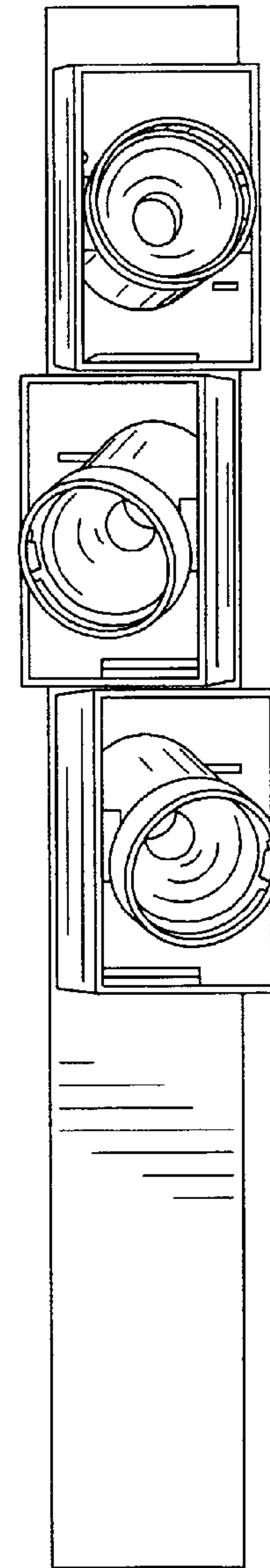
D264,254 S \* 5/1982 Heritage ..... D26/63

**1 Claim, 2 Drawing Sheets**

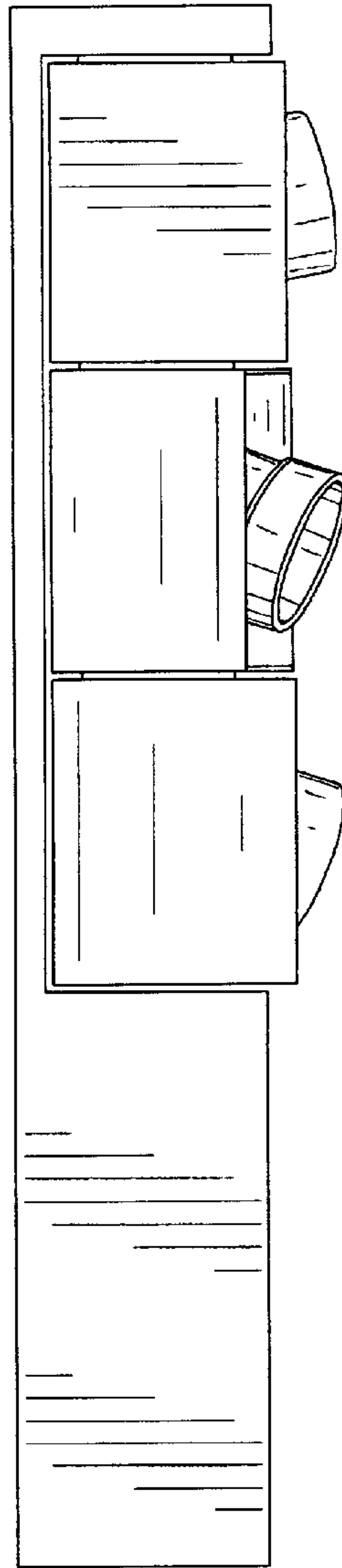




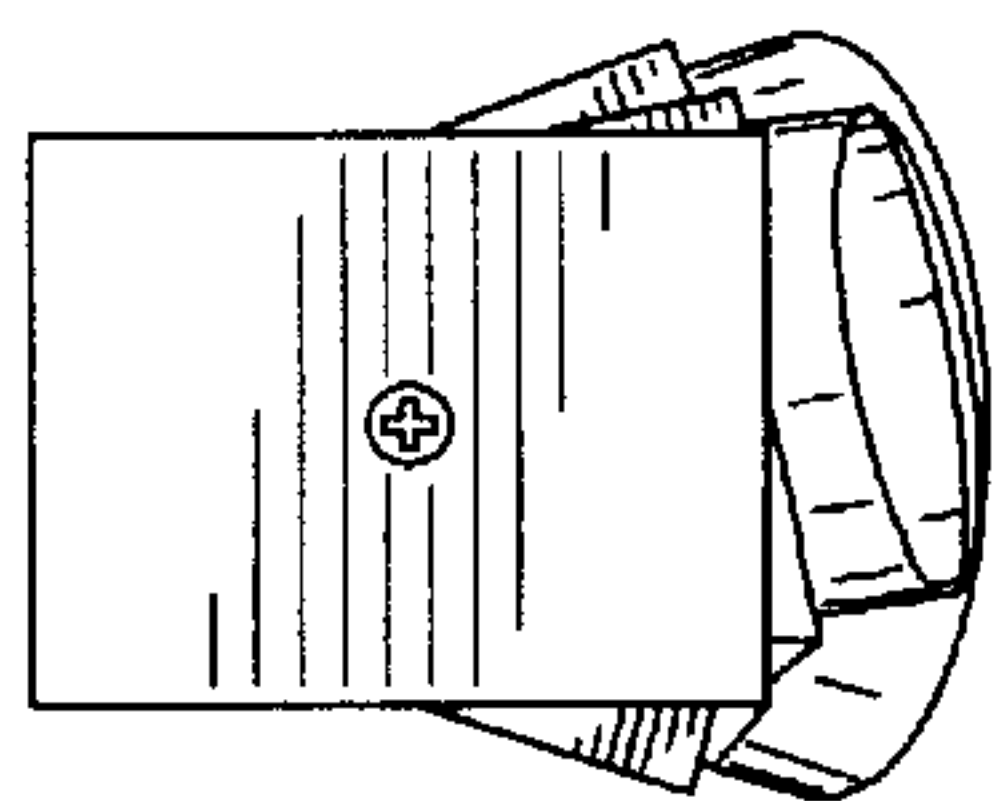
**FIG. 1**



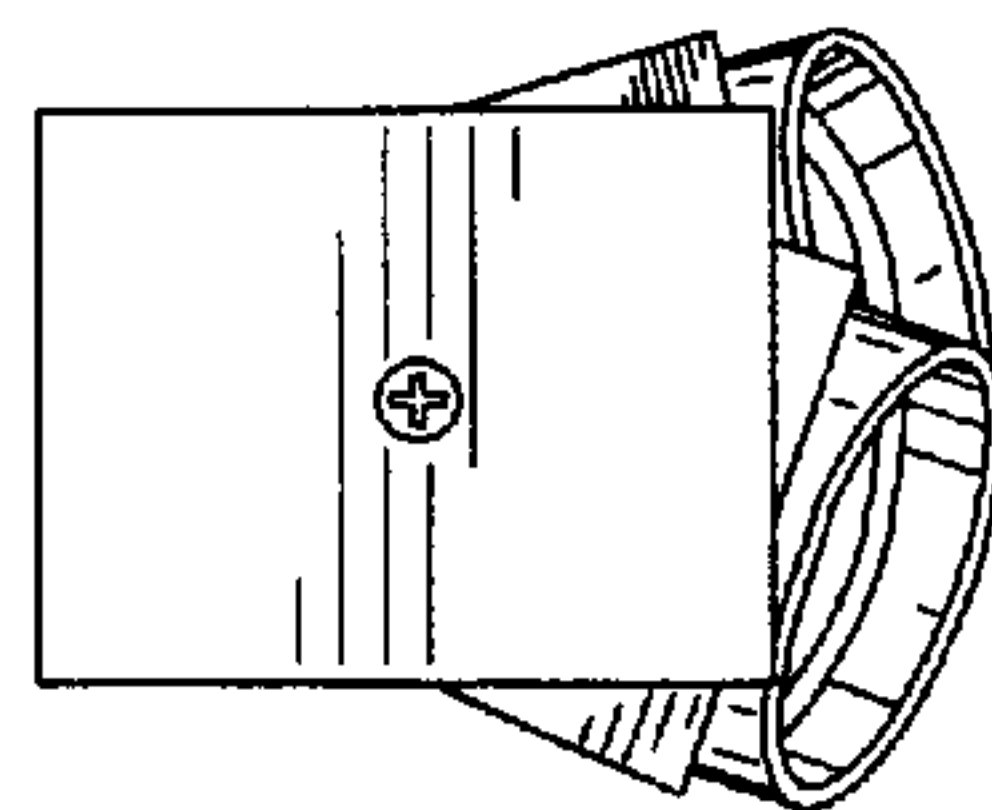
**FIG. 2**



**FIG. 3**



**FIG. 4**



**FIG. 5**