



US00D526734S

(12) **United States Design Patent**
Brown

(10) **Patent No.:** **US D526,734 S**

(45) **Date of Patent:** **** Aug. 15, 2006**

(54) **PORTABLE READING LIGHT**

(76) Inventor: **Dahvid Nathaniel Brown**, 15, rue
Ferdinand-Hodler, Geneva 1207 (CH)

(**) Term: **14 Years**

(21) Appl. No.: **29/236,640**

(22) Filed: **Aug. 22, 2005**

(51) **LOC (8) Cl.** **26-05**

(52) **U.S. Cl.** **D26/60; D26/39**

(58) **Field of Classification Search** D26/28,
D26/37, 39, 44, 57, 73, 60-65; 362/98, 99,
362/197, 198, 157, 171-174, 473-476, 523,
362/545, 183-208

See application file for complete search history.

(56) **References Cited**

U.S. PATENT DOCUMENTS

D279,032 S	5/1985	Doyel	
D290,884 S	7/1987	Sano et al.	
5,013,967 A	* 5/1991	Hirota et al.	313/512
D330,602 S	* 10/1992	Bay et al.	D26/39
D390,989 S	2/1998	Zeller	
D397,468 S	8/1998	Zeller	
D414,574 S	* 9/1999	Chen	D26/37
6,022,119 A	2/2000	Booty, Jr.	
D423,130 S	4/2000	Kung	
D427,703 S	7/2000	Chan	

D436,202 S	1/2001	Chen	
D446,873 S	8/2001	Fisher et al.	
D449,126 S	10/2001	Zeller	
6,419,370 B1	* 7/2002	Chen	362/98
D464,755 S	10/2002	Harris et al.	
D486,260 S	2/2004	Christianson et al.	
D498,551 S	11/2004	Chan	

* cited by examiner

Primary Examiner—Clare E Heflin

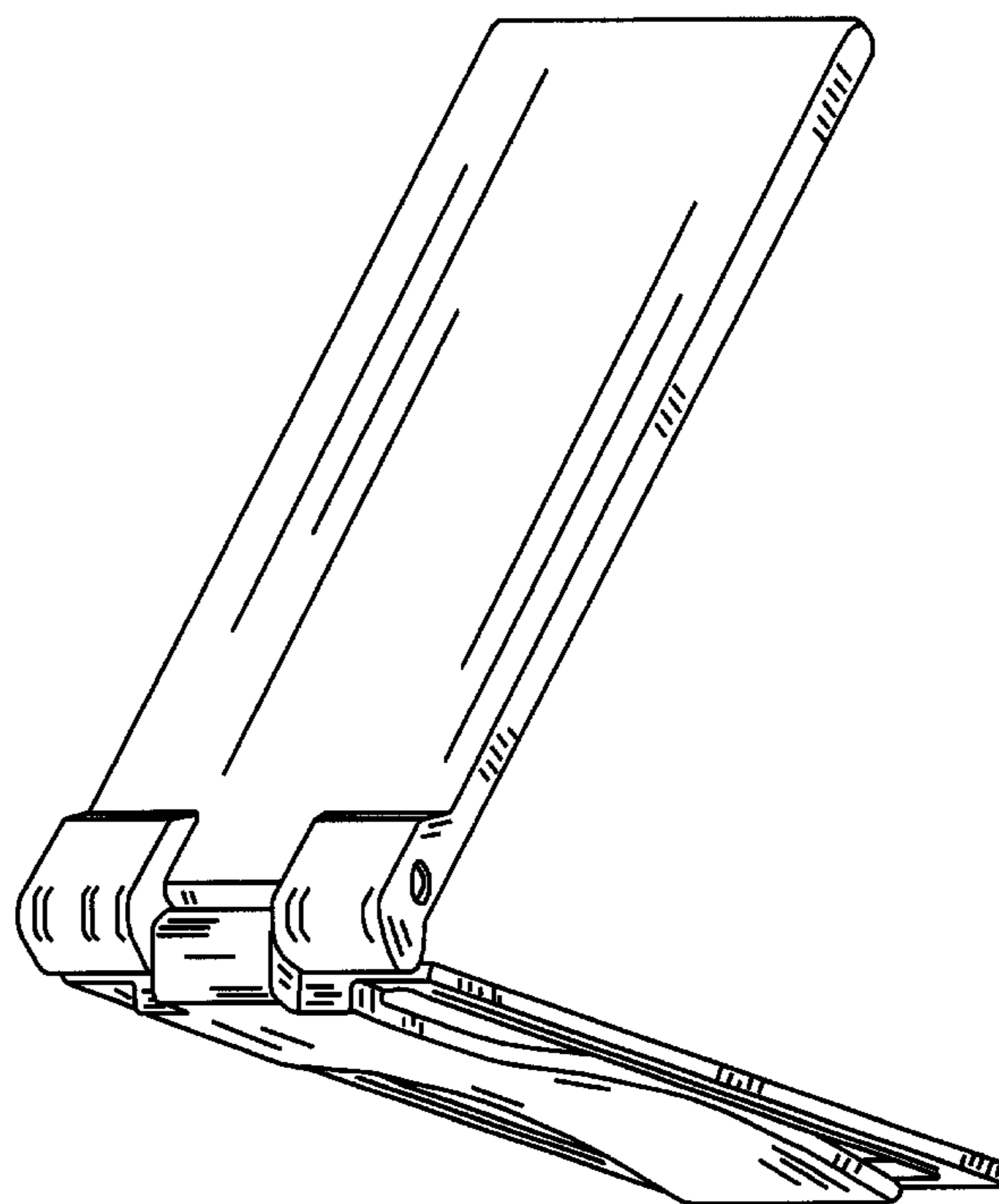
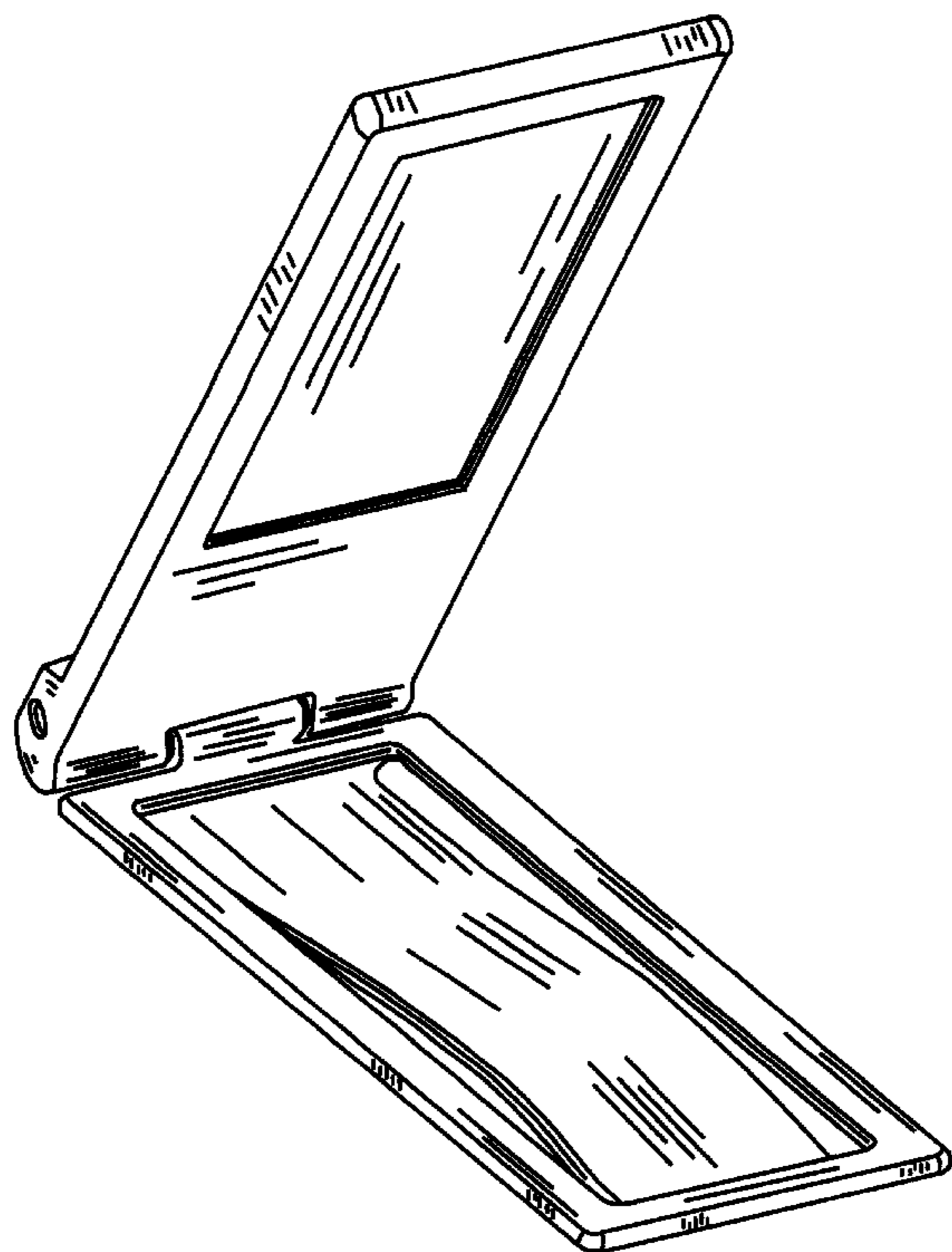
(57) **CLAIM**

The ornamental design for a portable reading light, as shown and described.

DESCRIPTION

FIG. 1 is a front perspective view showing my new design in an unfolded position;
 FIG. 2 is a rear perspective view thereof;
 FIG. 3 is a right side view thereof;
 FIG. 4 is a left side view thereof;
 FIG. 5 is another front perspective view thereof in a folded position;
 FIG. 6 is a rear perspective view thereof;
 FIG. 7 is a right side view thereof;
 FIG. 8 is a left side view thereof;
 FIG. 9 is a top view thereof; and,
 FIG. 10 is a bottom view thereof.

1 Claim, 7 Drawing Sheets



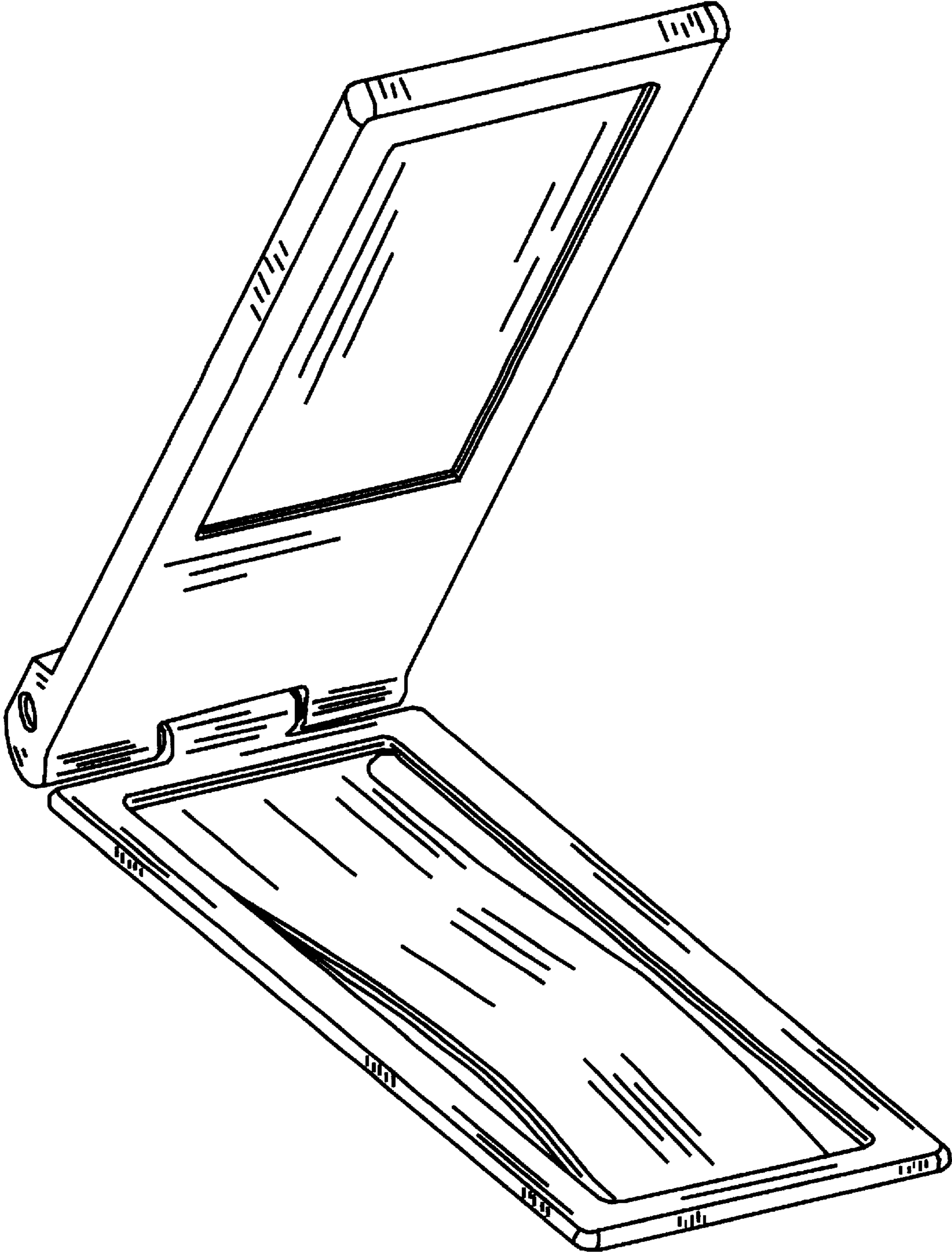


FIG. 1

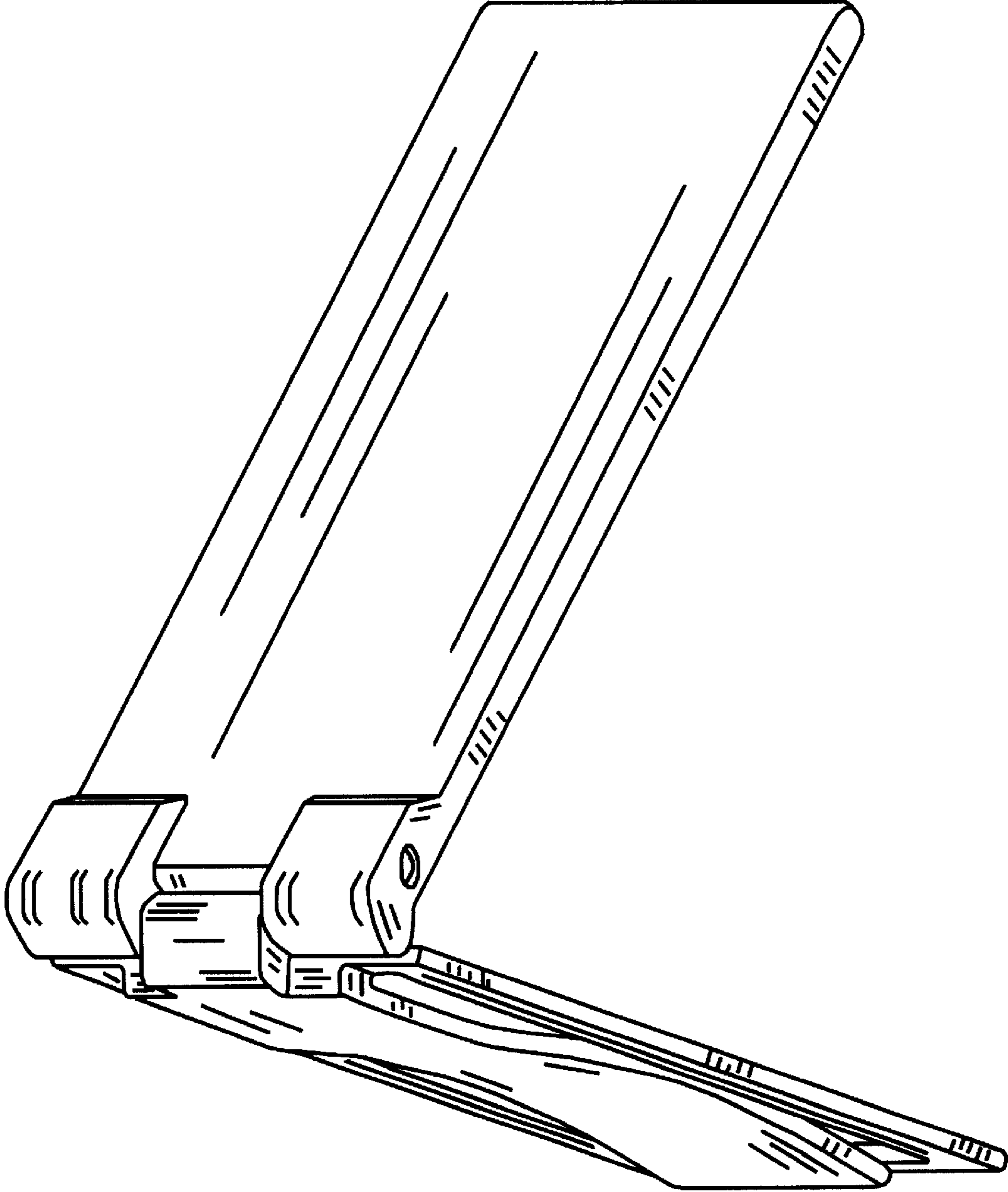


FIG. 2

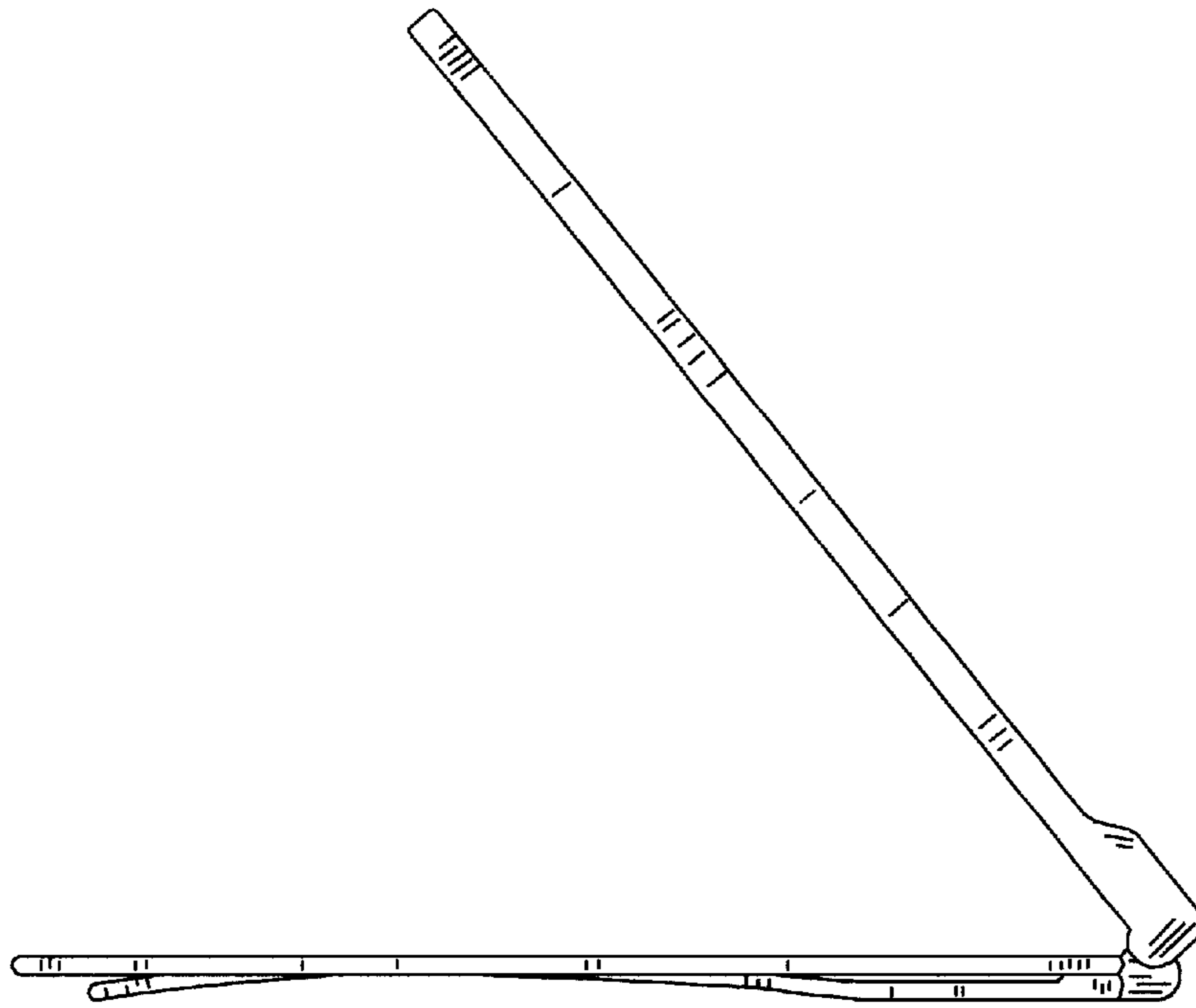


FIG. 3

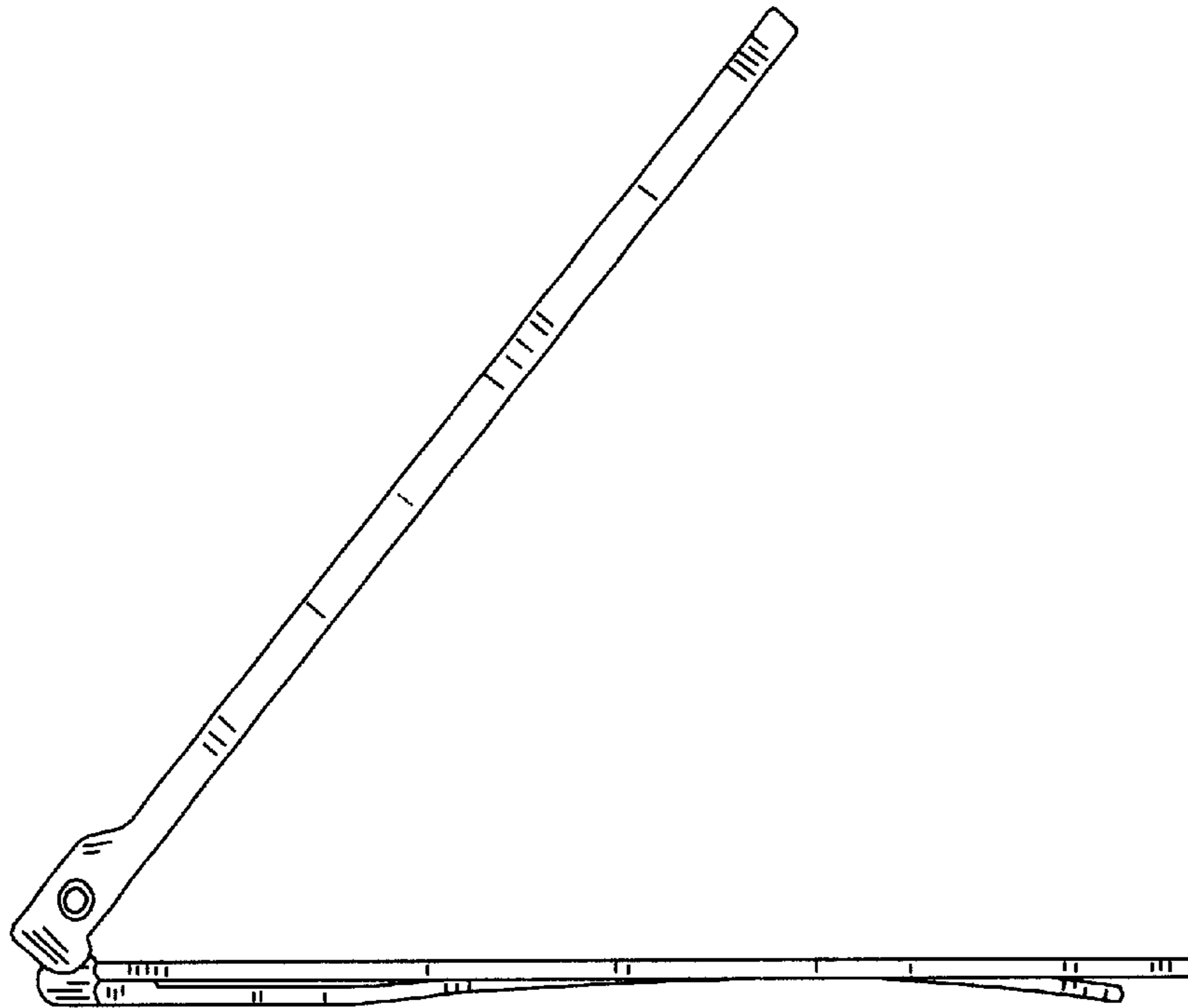


FIG. 4

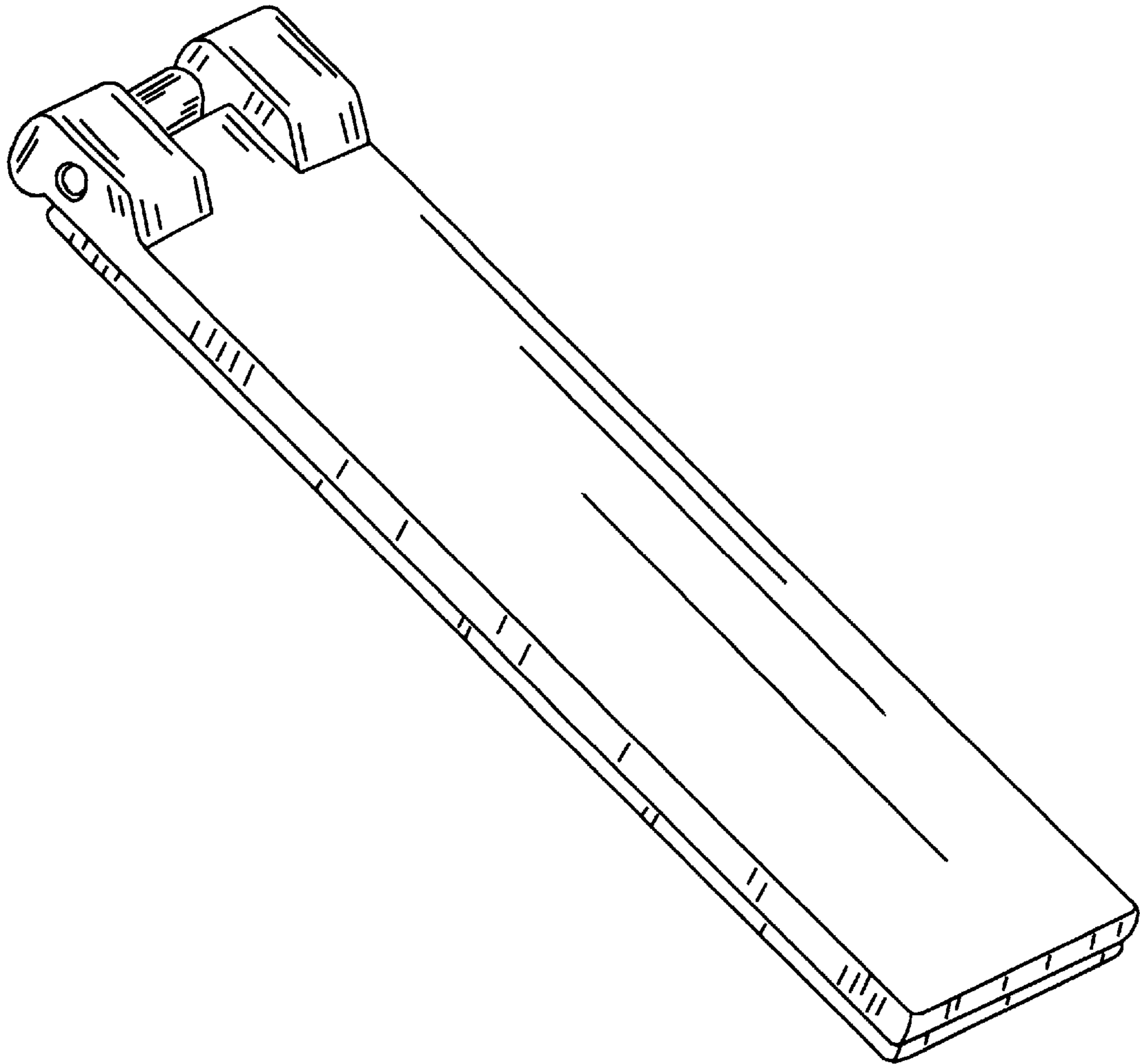


FIG. 5

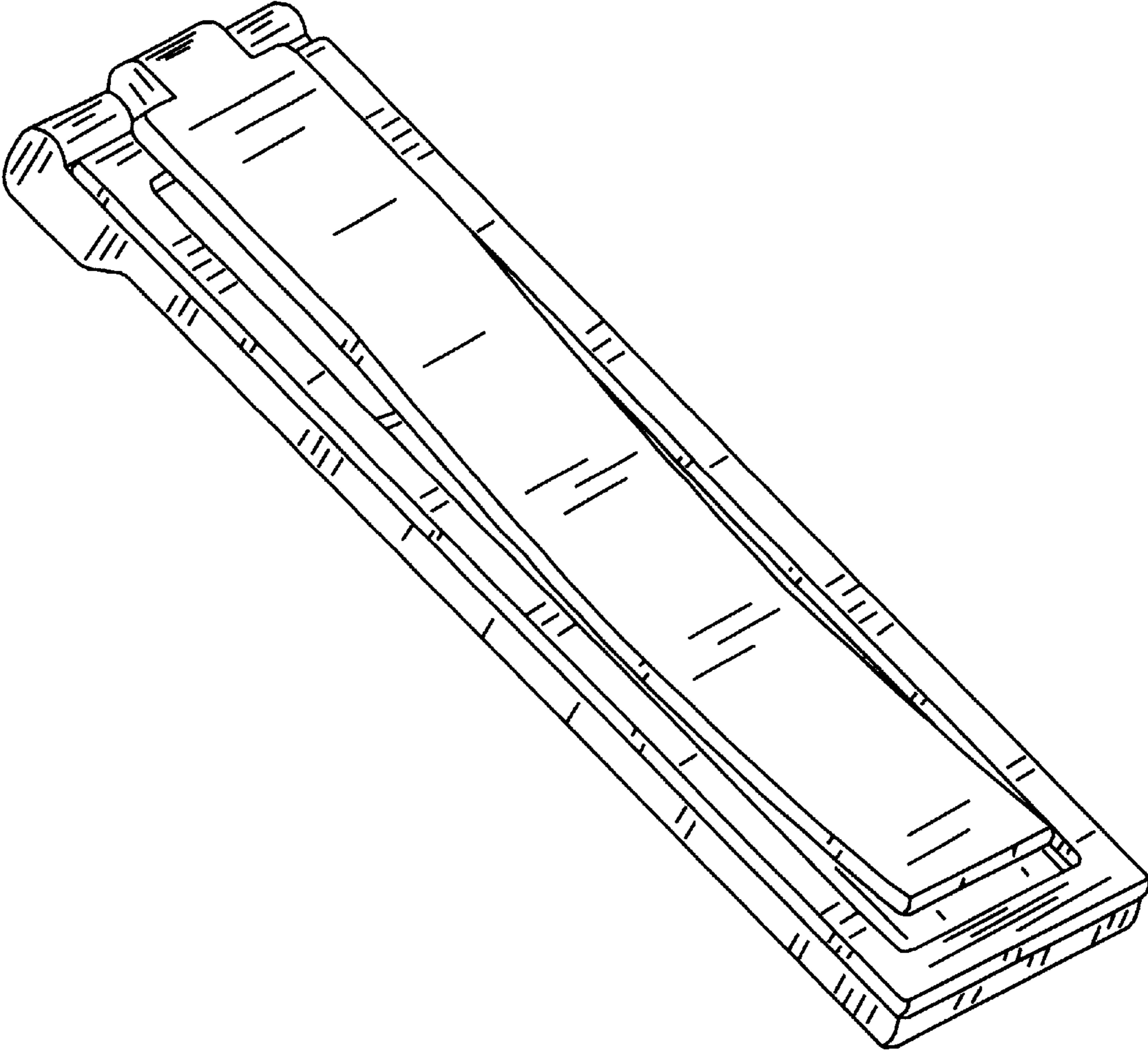


FIG. 6

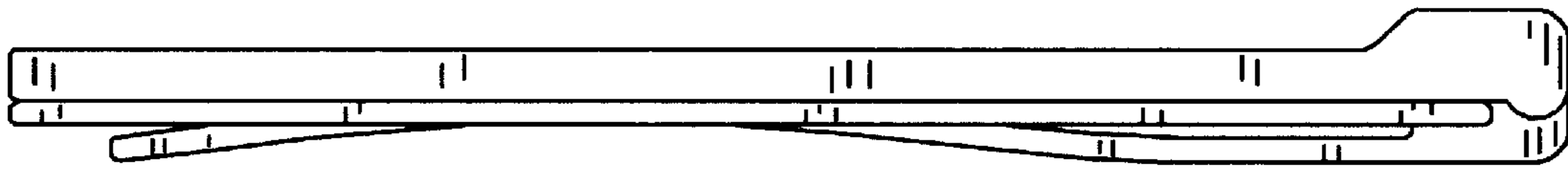


FIG. 7

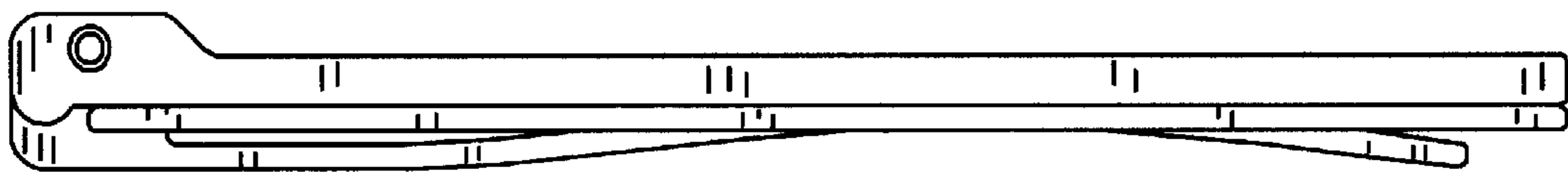


FIG. 8

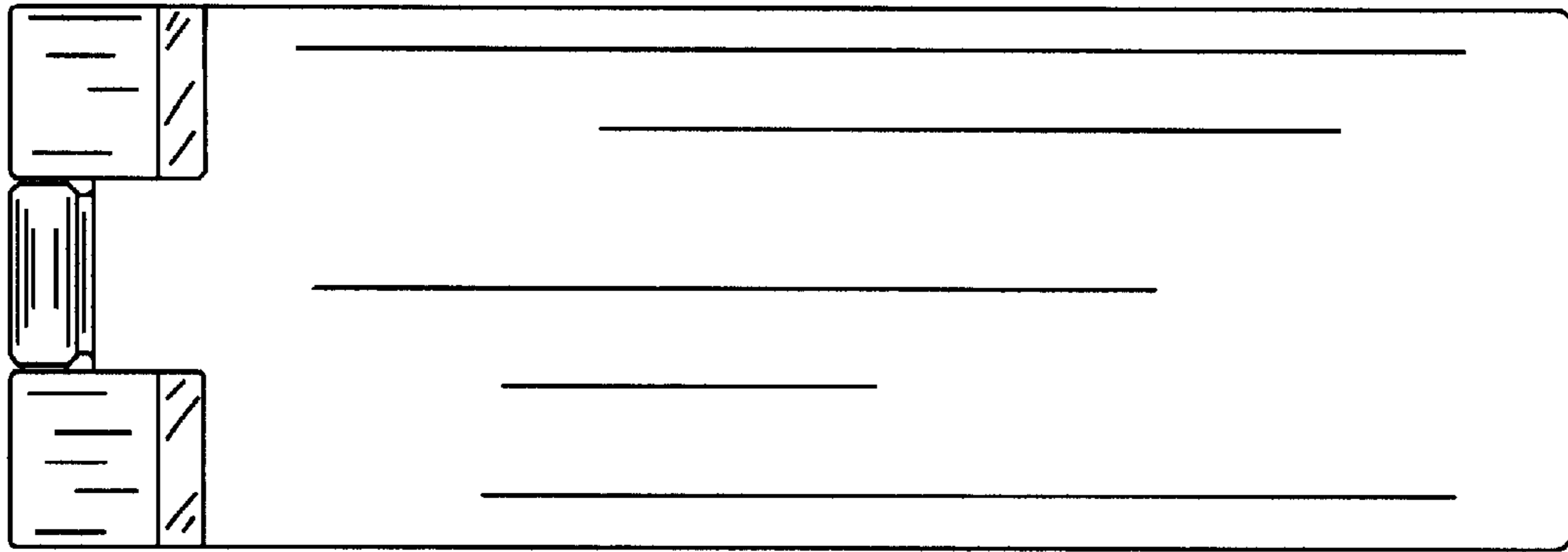


FIG. 9

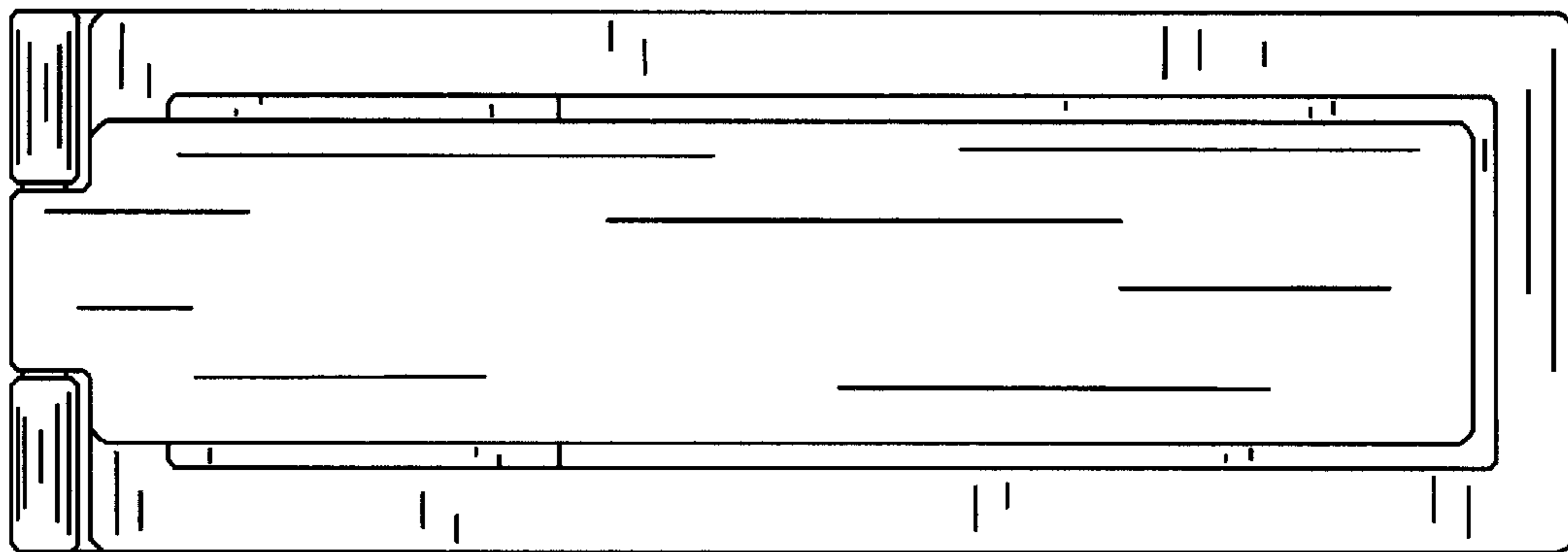


FIG. 10