

US00D526732S

(12) **United States Design Patent**
Kearney

(10) **Patent No.:** **US D526,732 S**

(45) **Date of Patent:** **** Aug. 15, 2006**

(54) **LIGHTING FIXTURE FOR USE WITH A BIRD CAGE**

D508,864 S * 8/2005 Harris D10/109

* cited by examiner

(76) Inventor: **Michael Kearney**, 1095 Wood La.,
Langhorne, PA (US) 19047

Primary Examiner—Marcus A. Jackson

(74) *Attorney, Agent, or Firm*—John S. Child, Jr.

(**) Term: **14 Years**

(57) **CLAIM**

(21) Appl. No.: **29/150,726**

I claim the ornamental design for a lighting fixture for use with a bird cage, as shown and described.

(22) Filed: **Nov. 28, 2001**

DESCRIPTION

(51) **LOC (8) Cl.** **26-02**

(52) **U.S. Cl.** **D26/47**

(58) **Field of Classification Search** D10/113;
404/6, 9, 10; 116/63 R, 63 P; D26/37-50
See application file for complete search history.

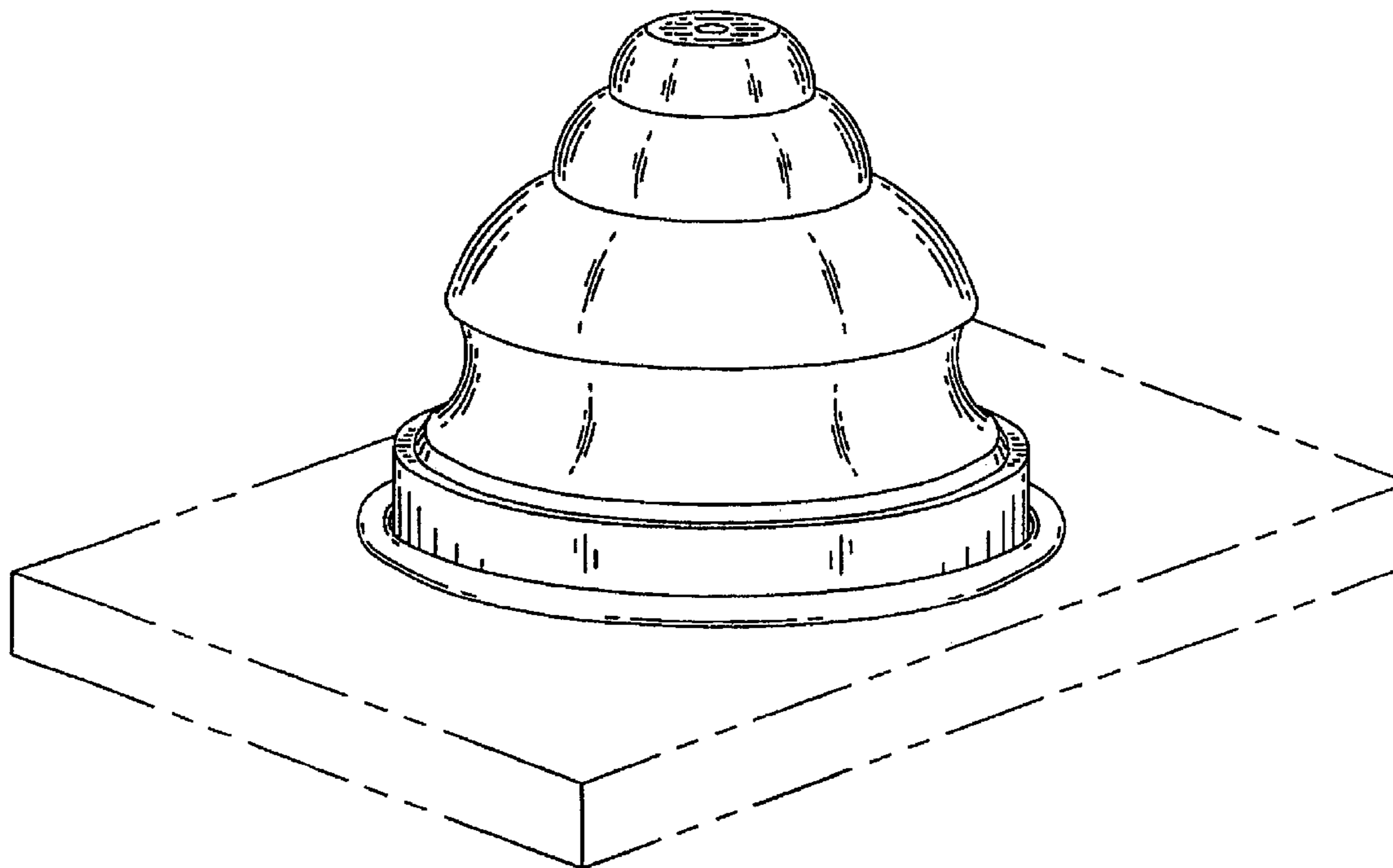
FIG. 1 is a perspective view of a lighting fixture for use with a bird cage showing my new design;
FIG. 2 is a front elevational view thereof;
FIG. 3 is a right-side elevational view thereof, the left side being a mirror image thereof;
FIG. 4 is a top plan view thereof; and,
FIG. 5 is a bottom plan view thereof.

(56) **References Cited**

U.S. PATENT DOCUMENTS

D376,025 S * 11/1996 Lewis D26/47

1 Claim, 5 Drawing Sheets



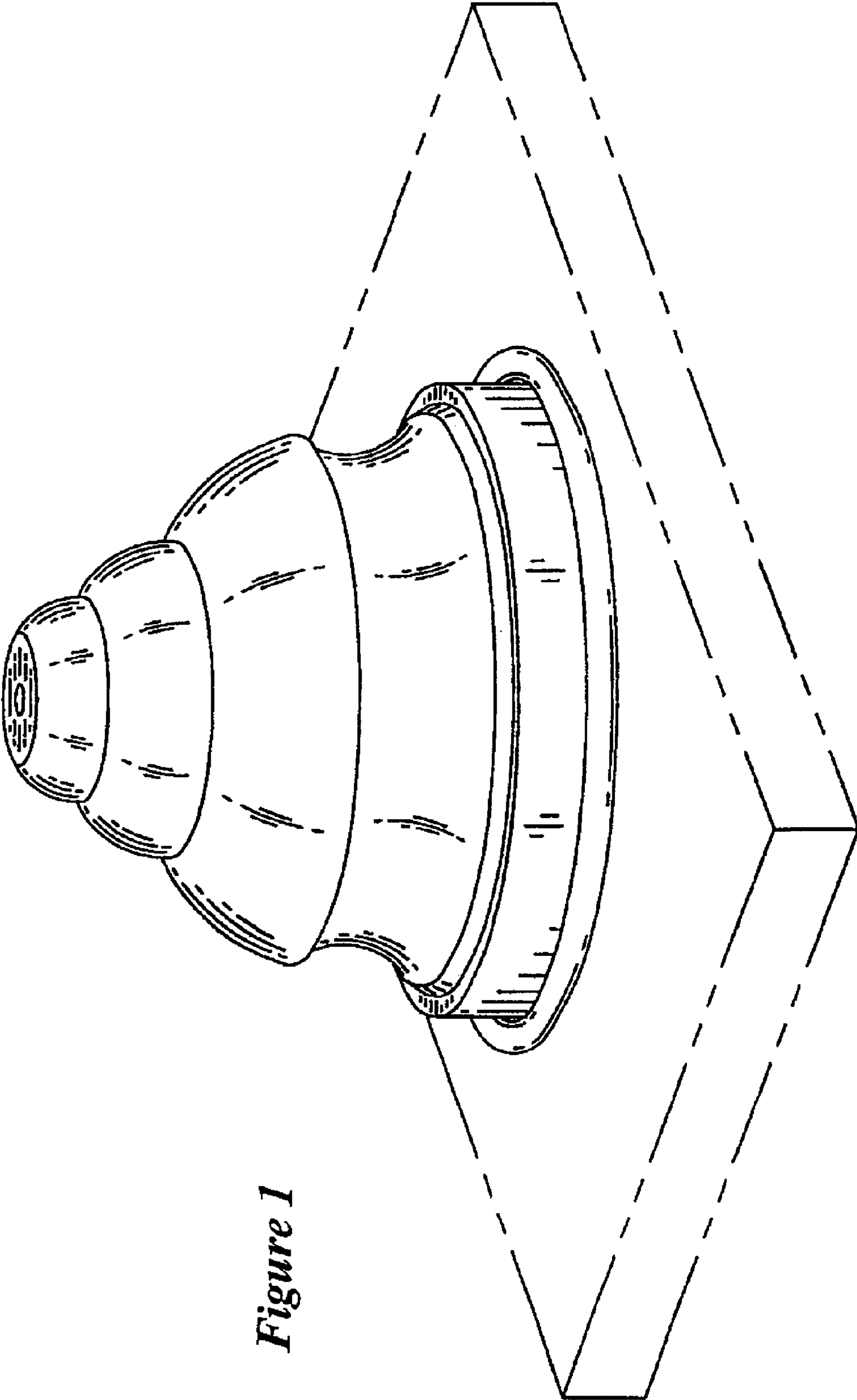


Figure 1

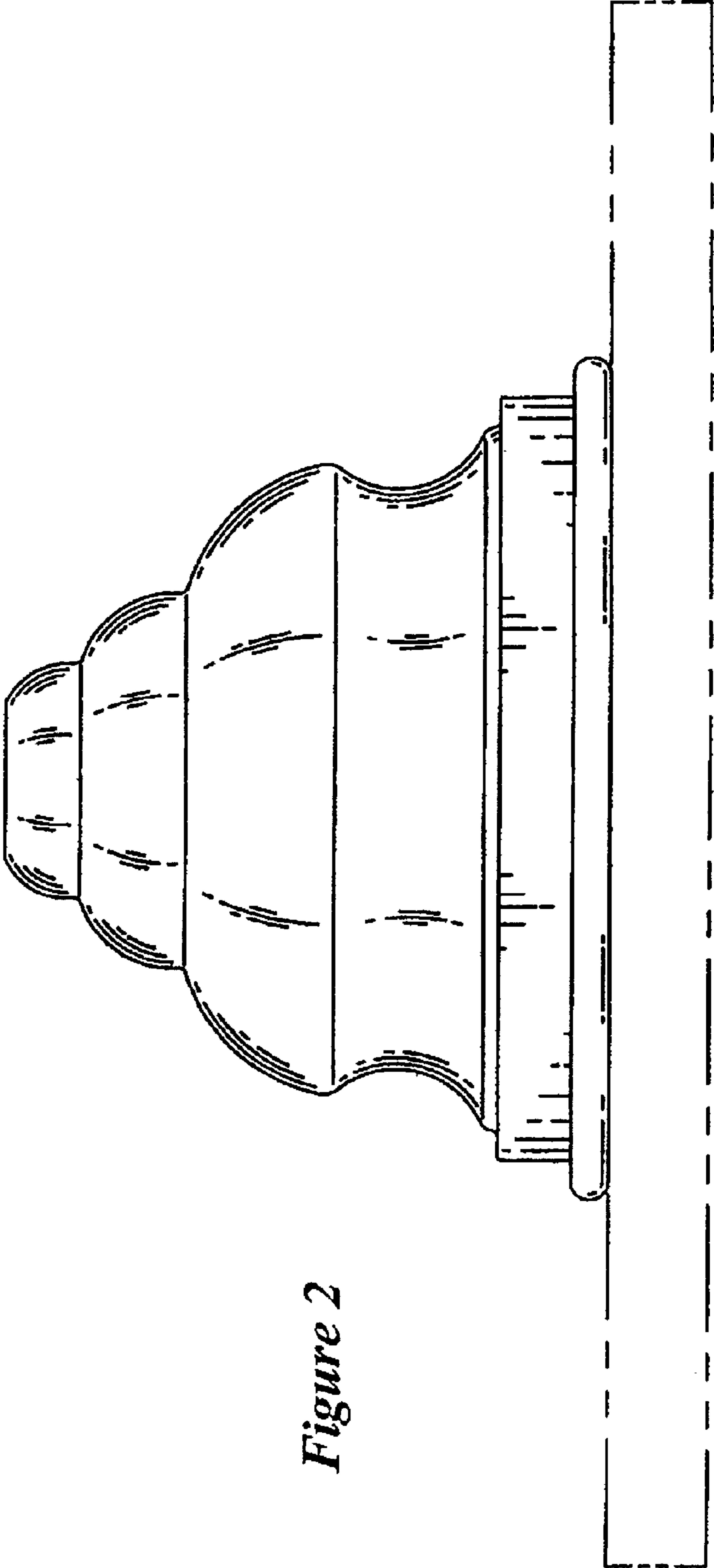


Figure 2

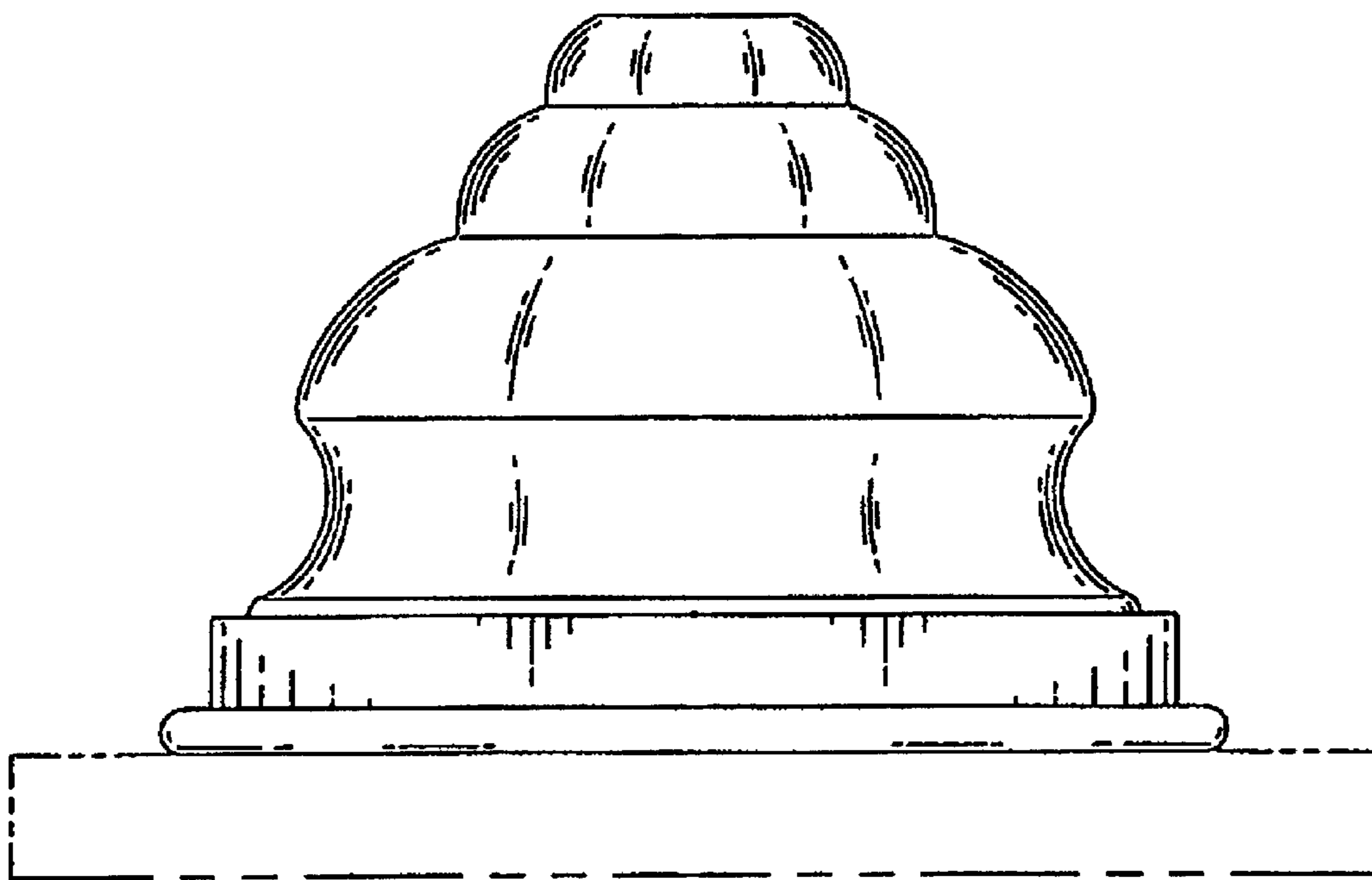


Figure 3

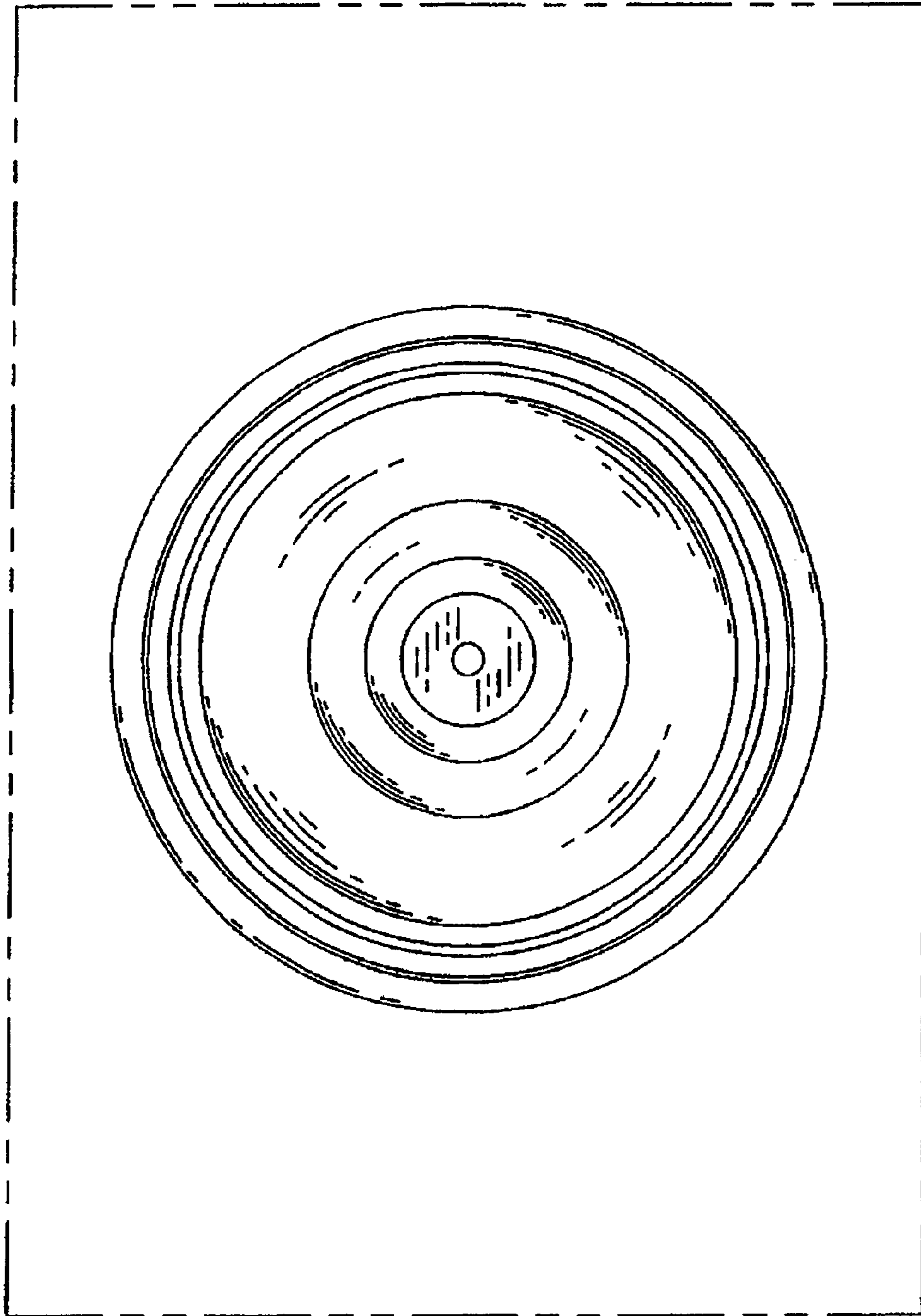


Figure 4

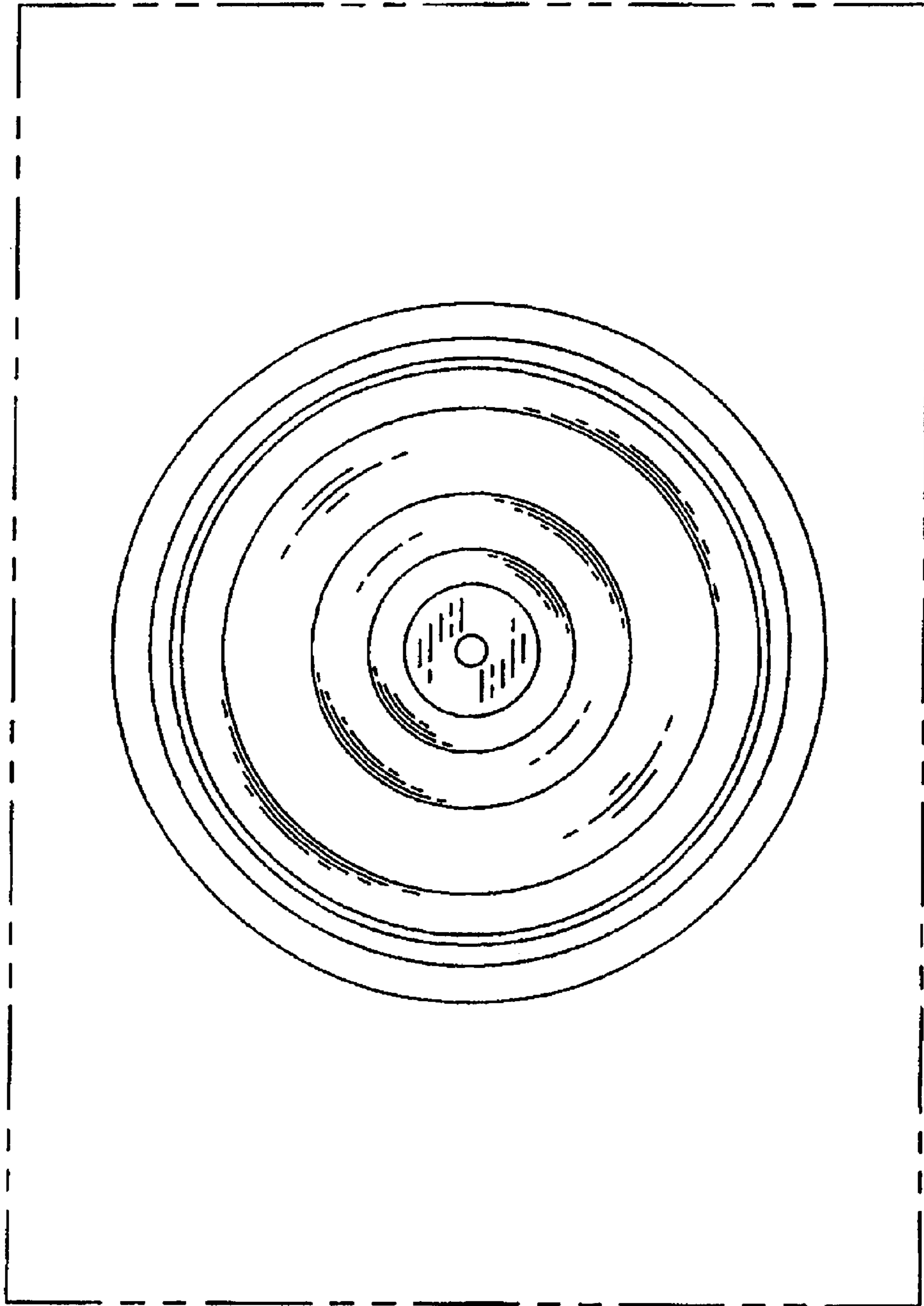


Figure 5