

US00D526731S

(12) **United States Design Patent**
Cheung et al.

(10) **Patent No.:** **US D526,731 S**

(45) **Date of Patent:** **** Aug. 15, 2006**

(54) **SPOTLIGHT**

(75) Inventors: **KemCheng Cheung**, Hong Kong (CN);
Tommy Cheung, Hong Kong (CN)

(73) Assignee: **Autotek Products Limited**, Hong
Kong (CN)

(**) Term: **14 Years**

(21) Appl. No.: **29/234,558**

(22) Filed: **Jul. 20, 2005**

(51) **LOC (8) Cl.** **26-02**

(52) **U.S. Cl.** **D26/45**

(58) **Field of Classification Search** D26/37-50;
362/157, 158, 171-174, 183-208
See application file for complete search history.

(56) **References Cited**

U.S. PATENT DOCUMENTS

D322,488 S * 12/1991 Lindsay et al. D26/45

D434,513 S * 11/2000 Poon D26/45

D500,155 S * 12/2004 Lee D26/45

D504,533 S * 4/2005 Hussaini et al. D26/45

* cited by examiner

Primary Examiner—Marcus A. Jackson

(74) *Attorney, Agent, or Firm*—Alix, Yale & Ristas, LLP

(57) **CLAIM**

The ornamental design for a spotlight, as shown and described.

DESCRIPTION

FIG. 1 is a front perspective view of the spotlight showing my new design;

FIG. 2 is a front view of the spotlight of FIG. 1;

FIG. 3 is a rear view of the spotlight of FIG. 1;

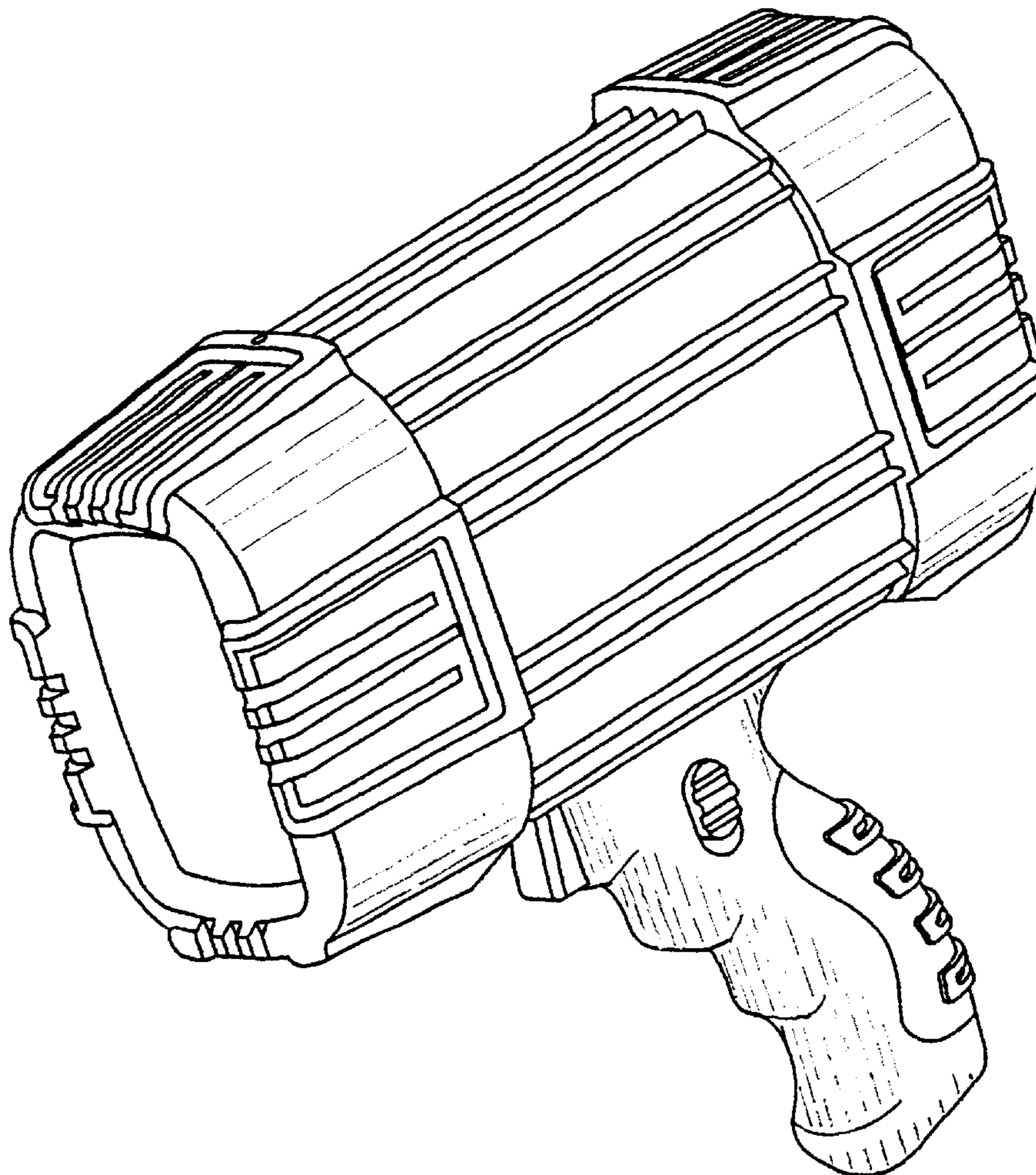
FIG. 4 is a right side view of the spotlight of FIG. 1;

FIG. 5 is a left side view of the spotlight of FIG. 1;

FIG. 6 is a top plan view of the spotlight of FIG. 1; and,

FIG. 7 is a bottom plan view of the spotlight of FIG. 1.

1 Claim, 7 Drawing Sheets



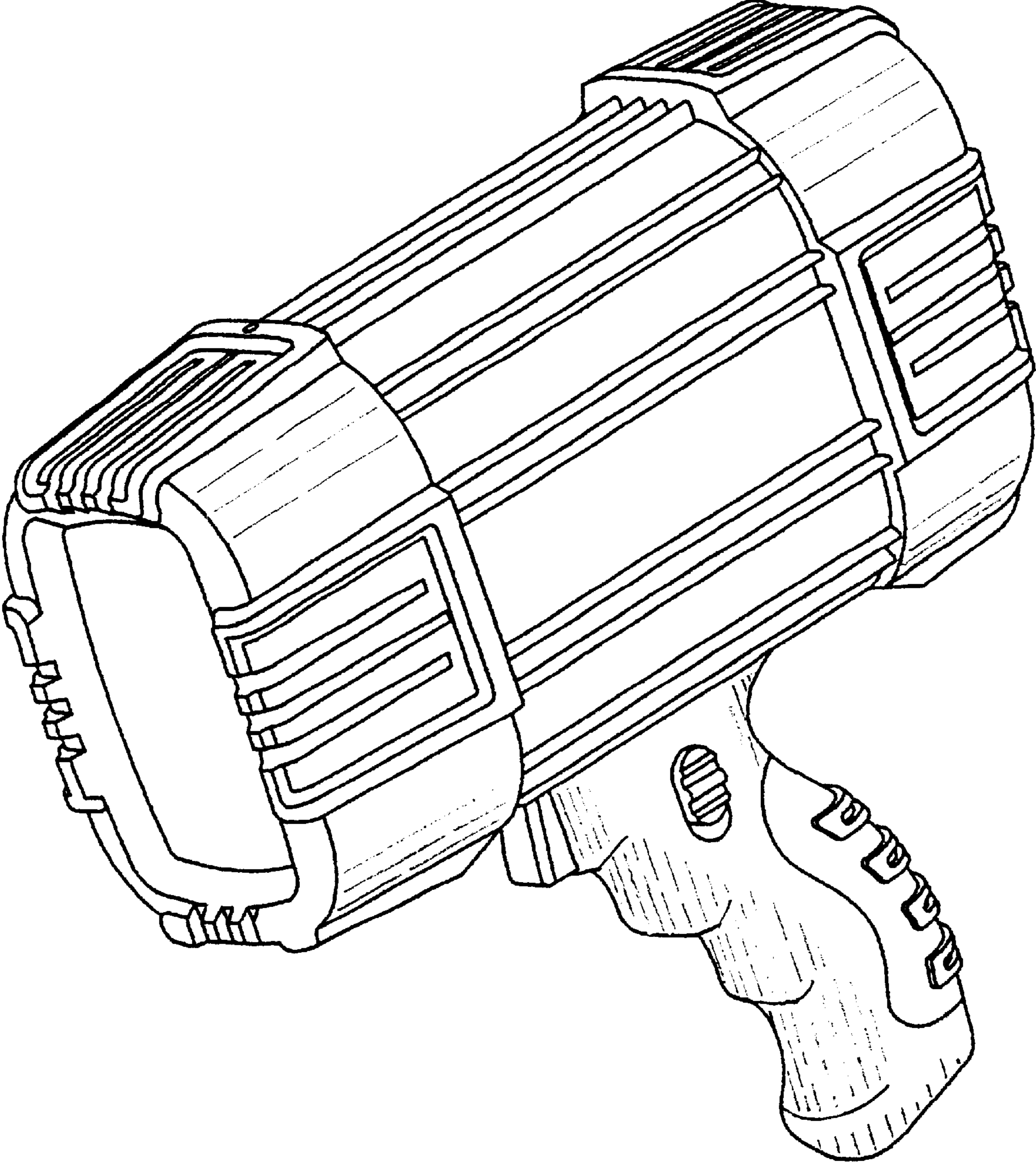


FIG. 1

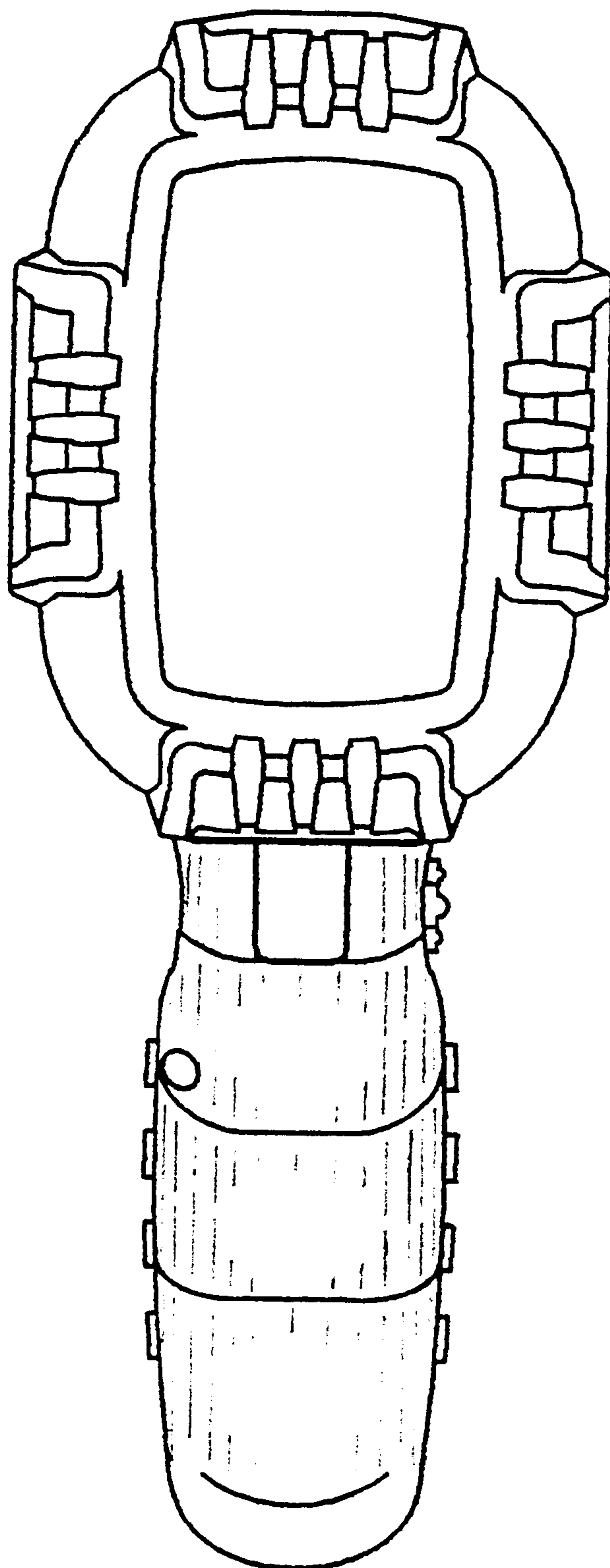


FIG. 2

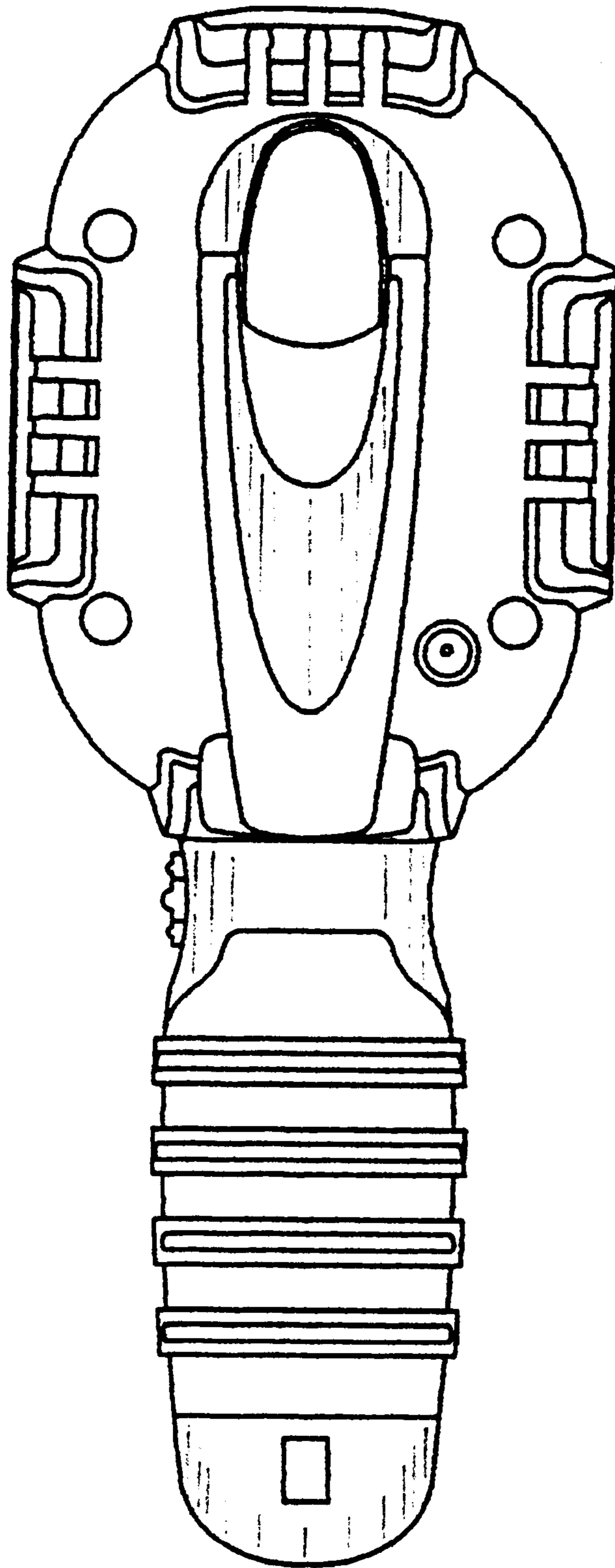


FIG. 3

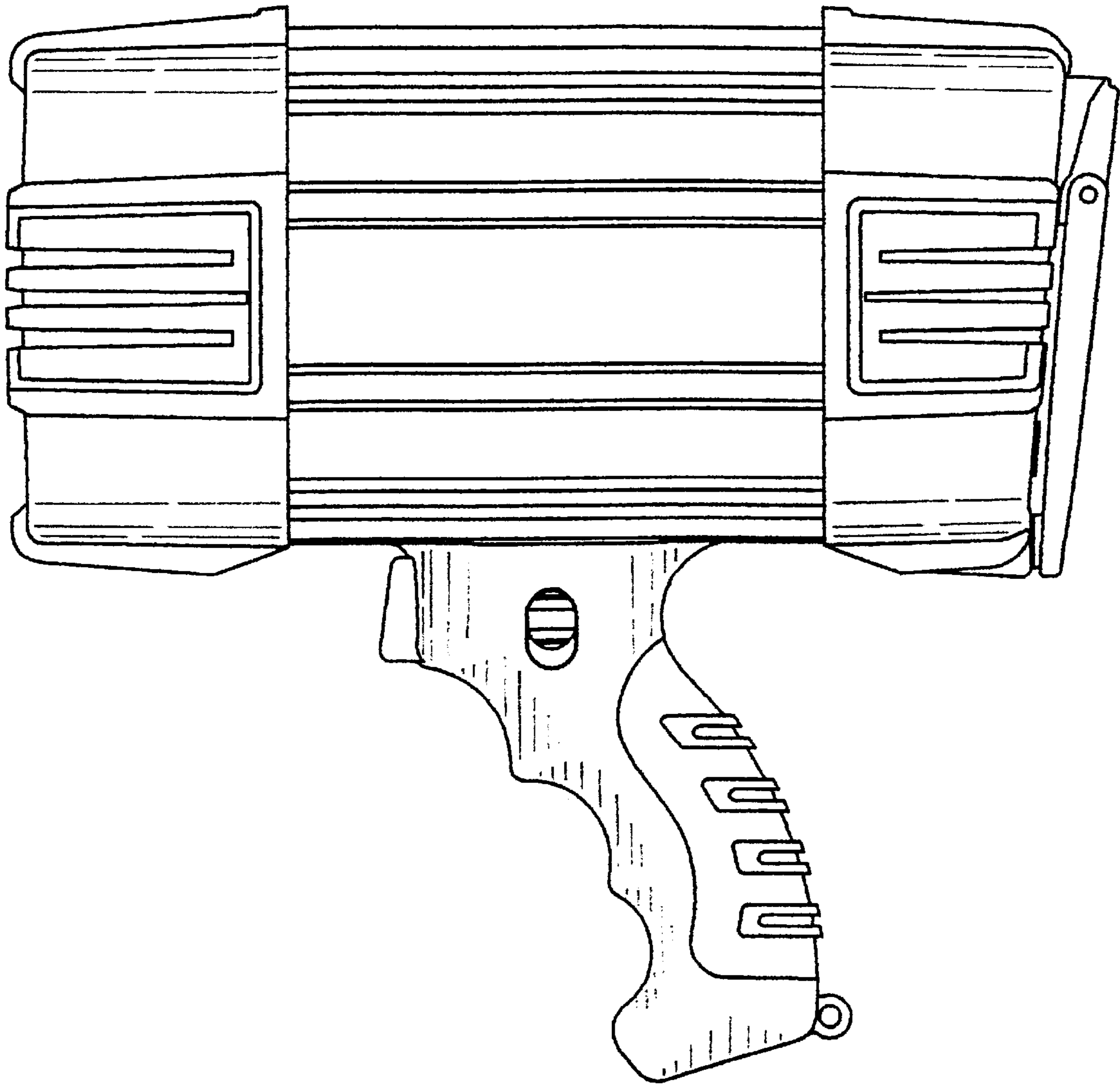


FIG. 4

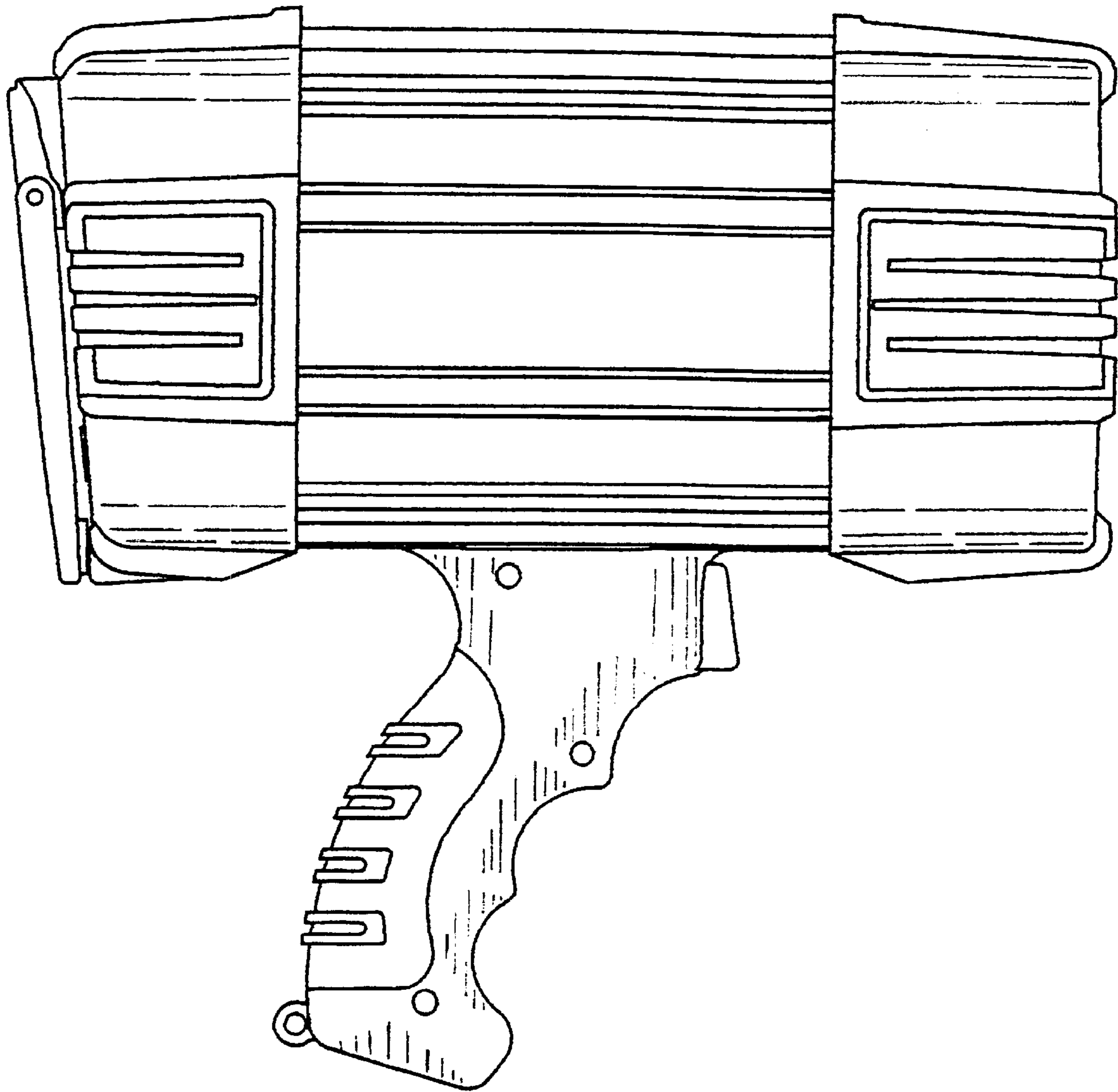


FIG. 5

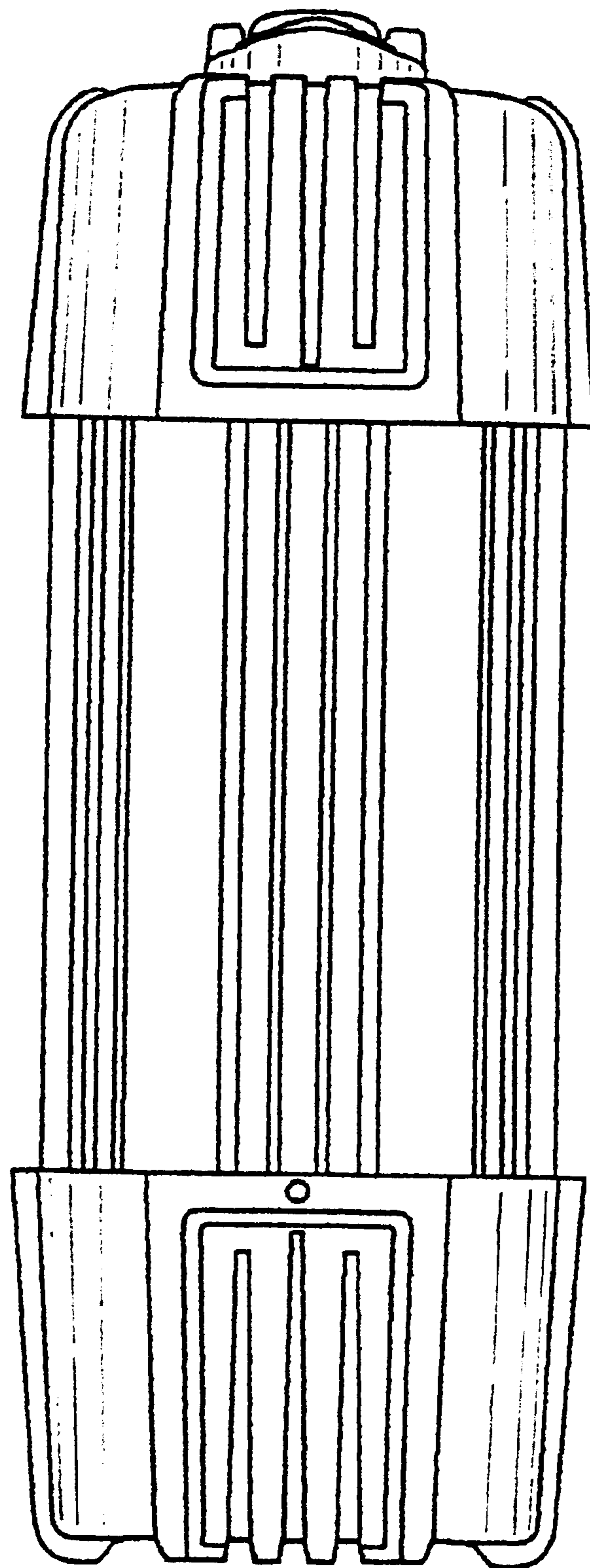


FIG. 6

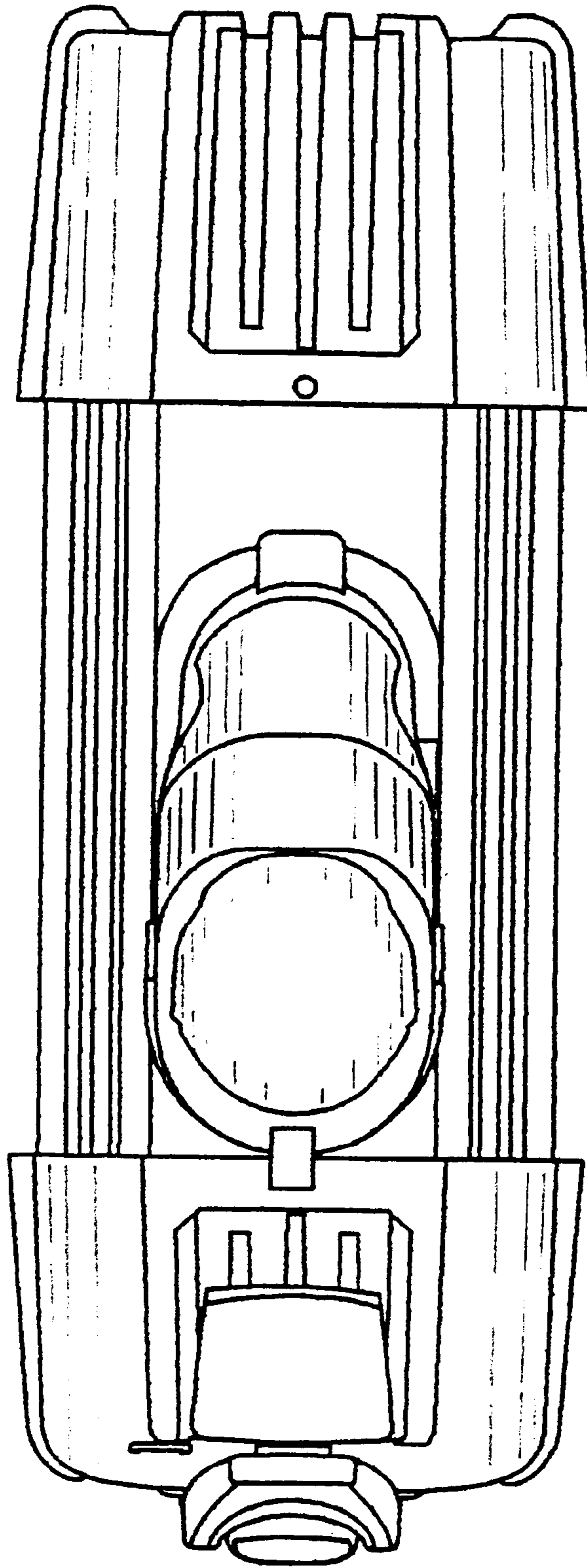


FIG. 7