

US00D526730S

(12) **United States Design Patent**
Galli

(10) **Patent No.:** **US D526,730 S**

(45) **Date of Patent:** **** Aug. 15, 2006**

(54) **VENTED FLASHLIGHT**

(76) **Inventor:** **Robert D. Galli**, 135 Circuit Dr., North Kingstown, RI (US) 02852

(**) **Term:** **14 Years**

(21) **Appl. No.:** **29/238,486**

(22) **Filed:** **Sep. 16, 2005**

(51) **LOC (8) Cl.** **26-02**

(52) **U.S. Cl.** **D26/37**

(58) **Field of Classification Search** D26/37-50;
362/157, 158, 171-174, 183-208

See application file for complete search history.

(56) **References Cited**

U.S. PATENT DOCUMENTS

D468,464 S	*	1/2003	Galli	D26/37
D501,054 S	*	1/2005	Galli	D26/37
D504,529 S	*	4/2005	Vickers et al.	D26/37

* cited by examiner

Primary Examiner—Marcus A. Jackson

(74) *Attorney, Agent, or Firm*—Barlow, Joeph & Holmes, Ltd.

(57) **CLAIM**

The ornamental design for a vented flashlight, as shown and described.

DESCRIPTION

FIG. 1 is a perspective view showing my new design for a vented flashlight;

FIG. 2 is a side view thereof, all sides being the same;

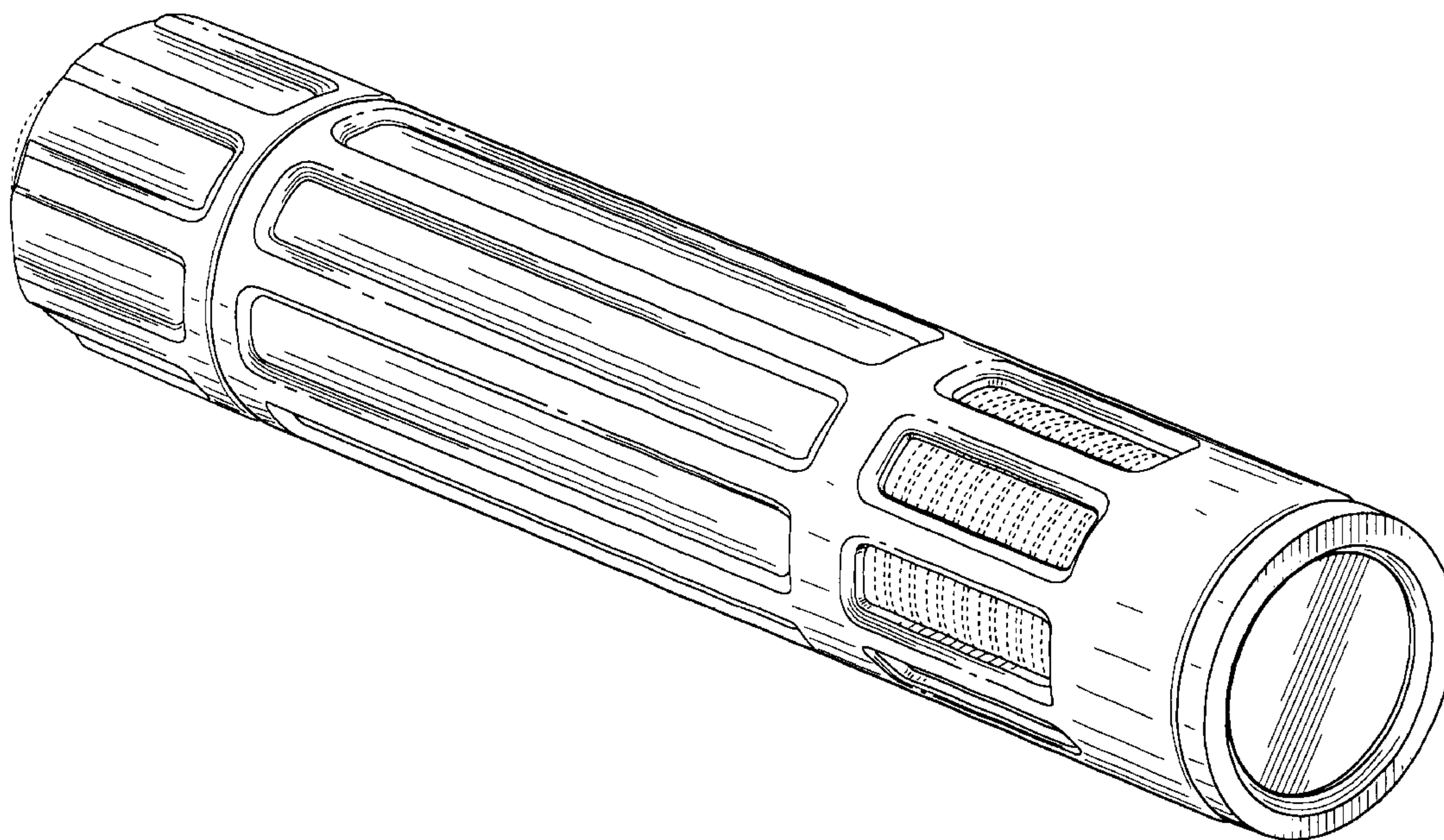
FIG. 3 is a front end view thereof;

FIG. 4 is a back end view thereof; and,

FIG. 5 is a perspective view showing an alternate embodiment of my new design for a vented flashlight.

The fin and switch portions depicted in broken lines in FIGS. 1 through 4 have been shown for illustrative purposes only and form no part of the claimed design.

1 Claim, 5 Drawing Sheets



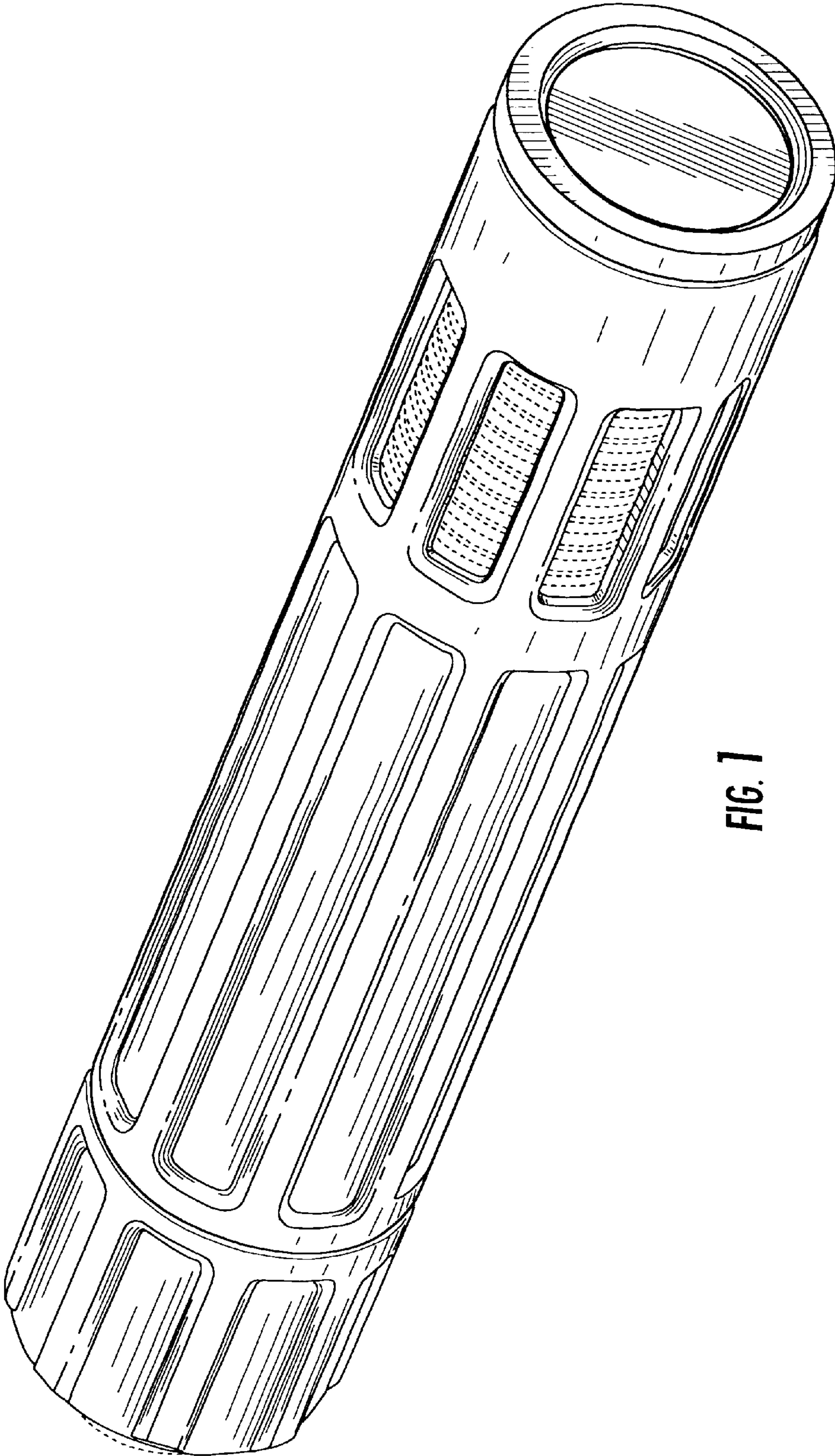


FIG. 1

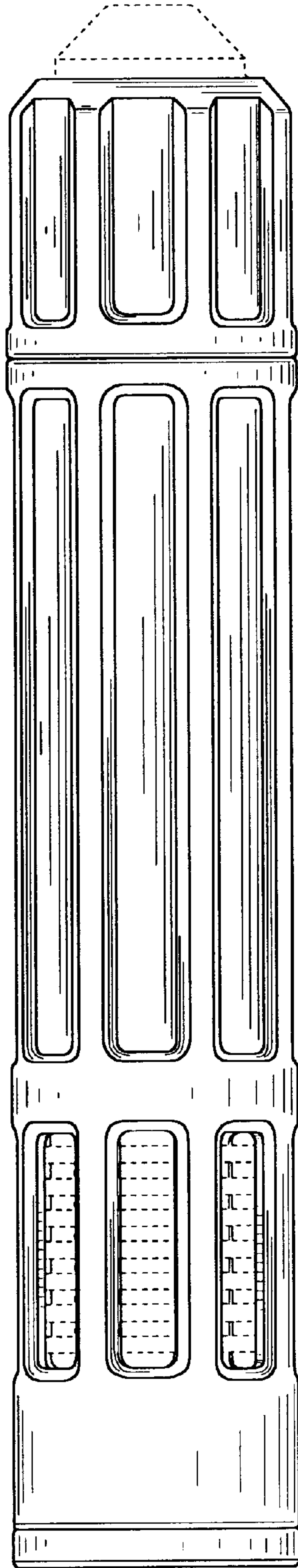


FIG. 2

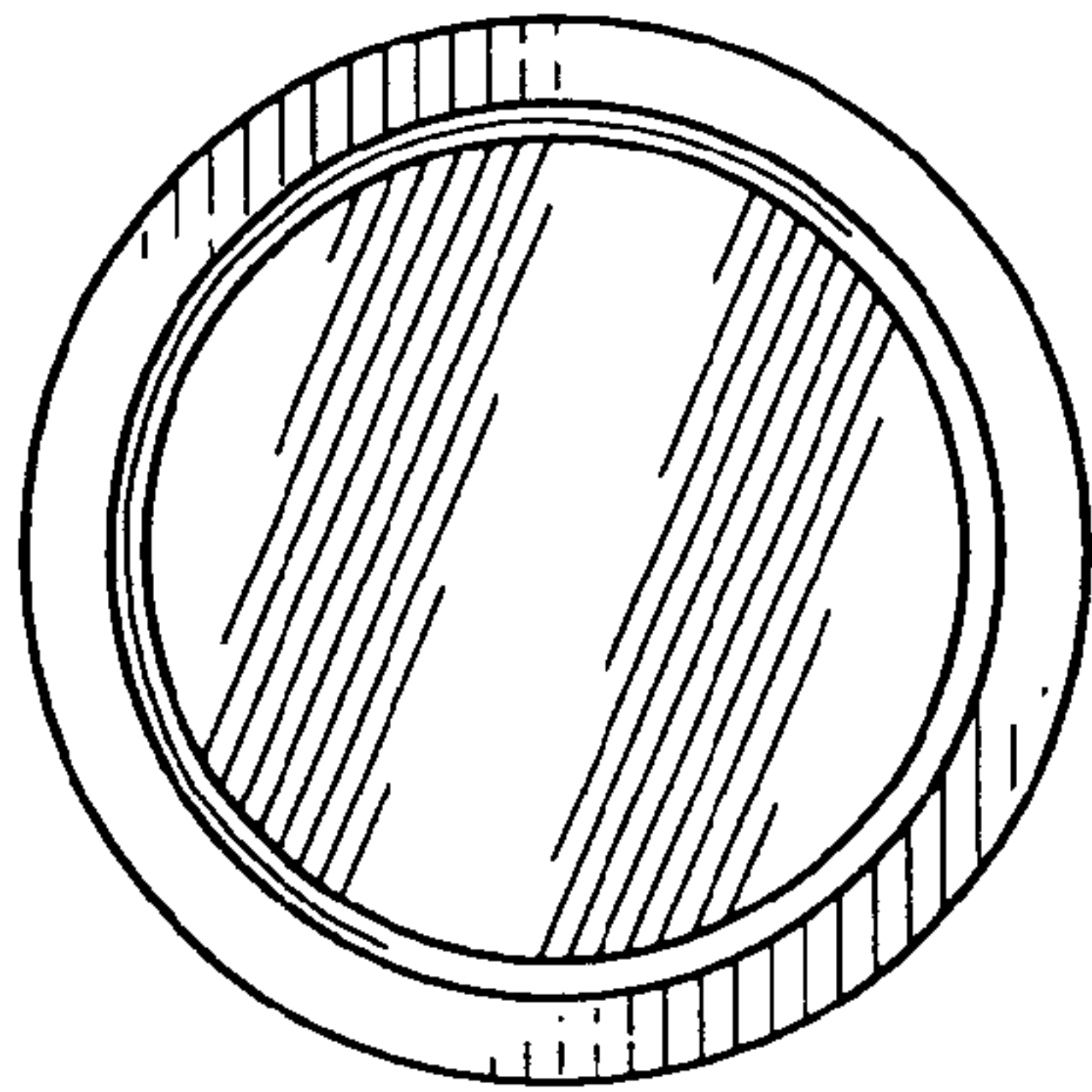


FIG. 3

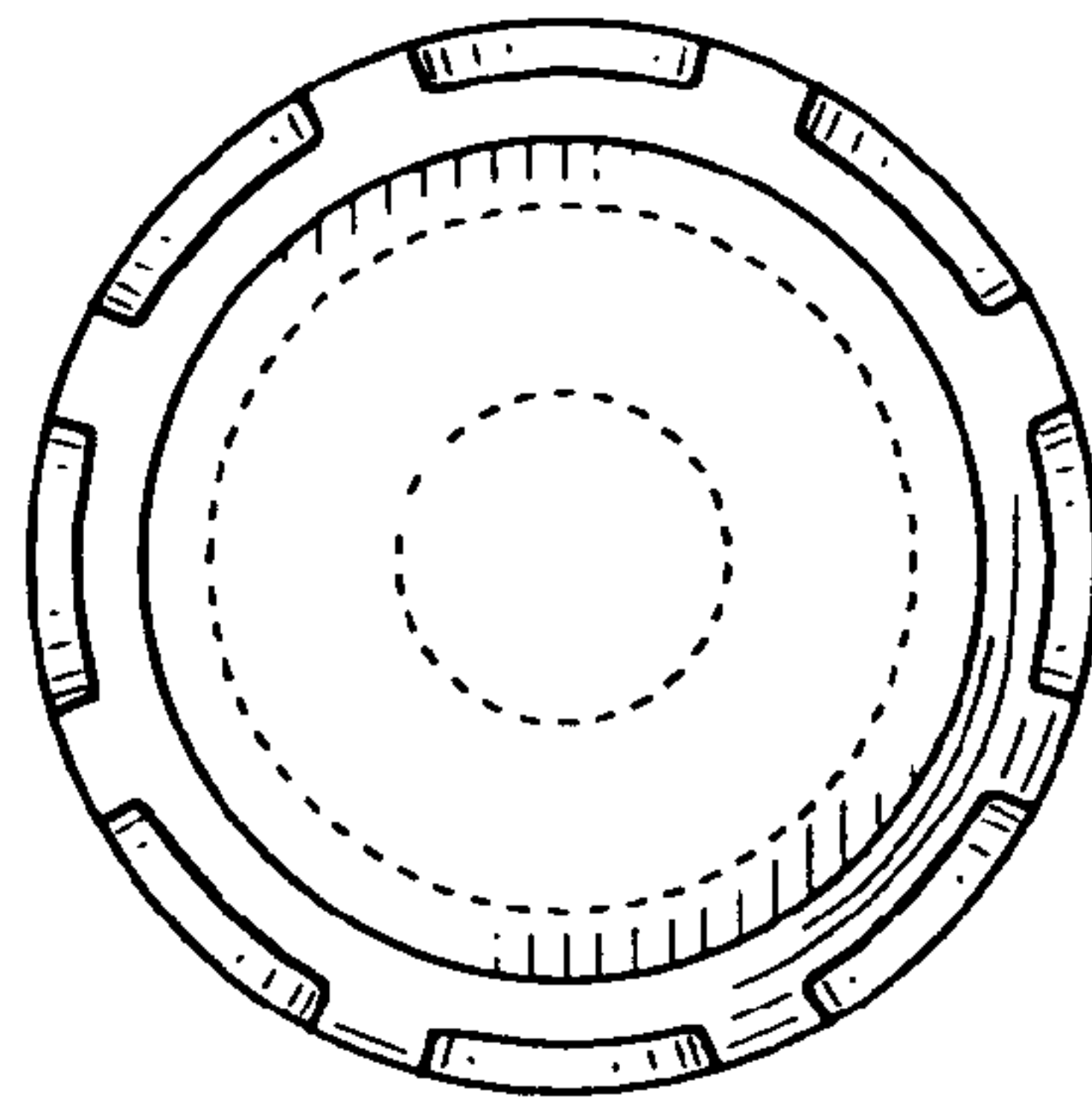


FIG. 4

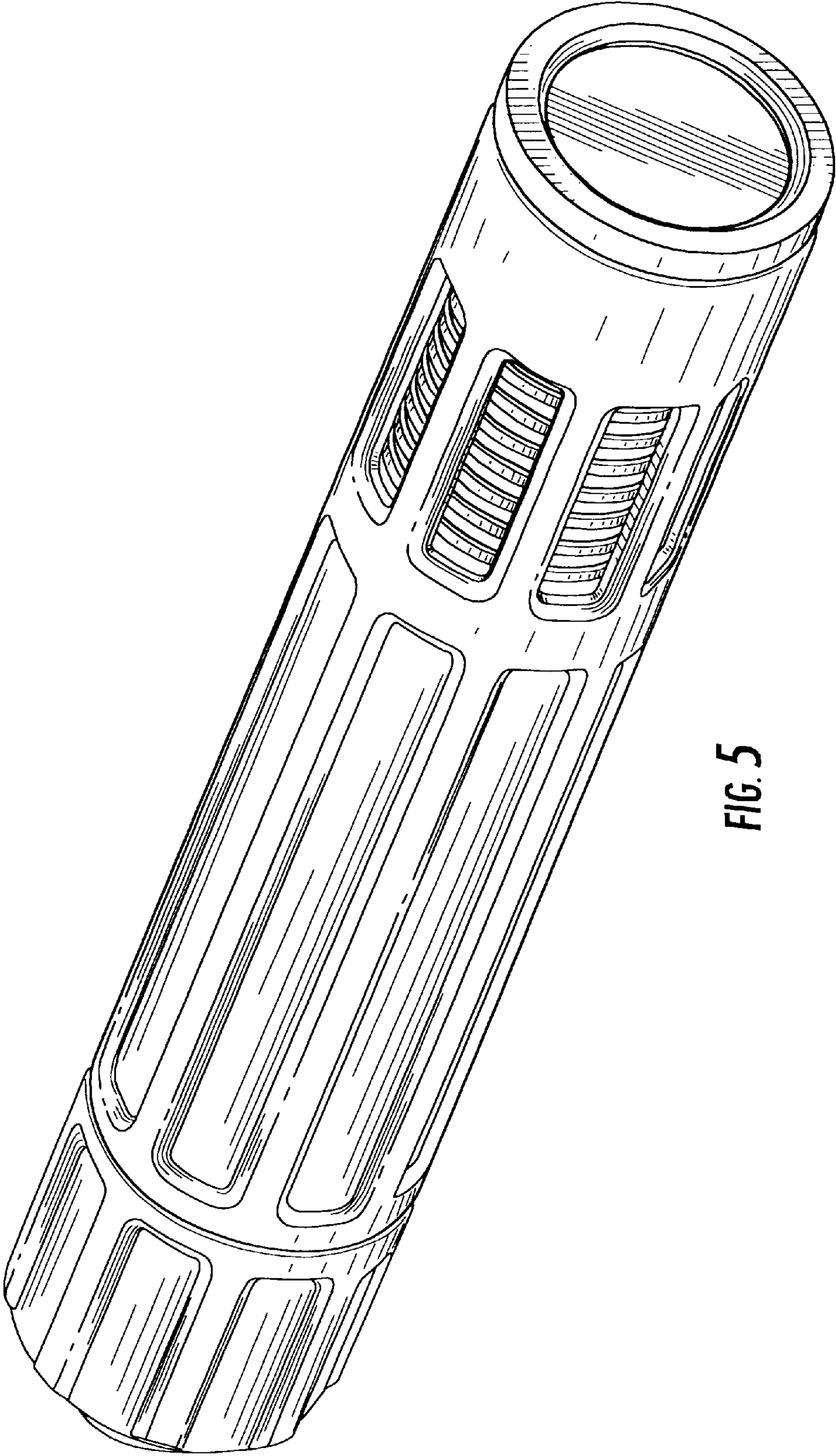


FIG. 5