



US00D526728S

(12) **United States Design Patent**  
**Lin**

(10) **Patent No.:** **US D526,728 S**

(45) **Date of Patent:** **\*\* Aug. 15, 2006**

(54) **EXTERIOR SURFACE CONFIGURATION OF  
A VEHICLE REAR LIGHT**

(76) Inventor: **Yu-Chu Lin**, No. 477, Chung Shan N.  
Rd., Yung Kang City, Tainan Hsien  
(TW)

(\*\*) Term: **14 Years**

(21) Appl. No.: **29/237,664**

(22) Filed: **Sep. 6, 2005**

(51) **LOC (8) Cl.** ..... **26-06**

(52) **U.S. Cl.** ..... **D26/28**

(58) **Field of Classification Search** ..... D26/28-36;  
362/459-468, 475-478, 485-487

See application file for complete search history.

(56) **References Cited**

**U.S. PATENT DOCUMENTS**

D490,917 S \* 6/2004 Lin ..... D26/28

D493,550 S \* 7/2004 Lin ..... D26/28

D498,862 S \* 11/2004 Lin ..... D26/28

\* cited by examiner

*Primary Examiner*—Marcus A. Jackson

(74) *Attorney, Agent, or Firm*—Rosenberg, Klein & Lee

(57) **CLAIM**

I claim, the ornamental design for an exterior surface configuration of a vehicle rear light, as shown and described.

**DESCRIPTION**

FIG. 1 is a perspective view from the front left of an exterior surface configuration of a vehicle rear light showing my present design;

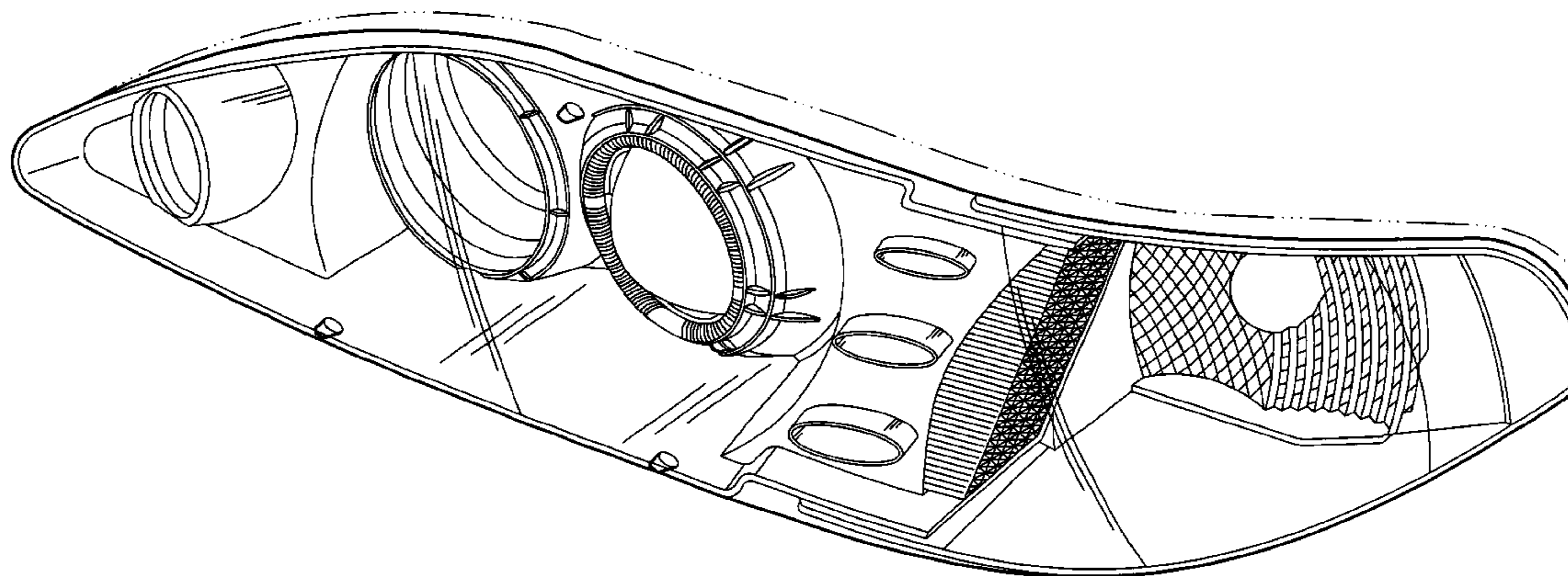
FIG. 2 is a front view thereof;

FIG. 3 is a left view thereof; and,

FIG. 4 is a top view thereof.

This design represents one embodiment of a design for an exterior surface configuration of a vehicle front light. The drawings and descriptions represent the left side embodiment. The design also contemplates a mirror symmetrical embodiment on the right side of the vehicle. The dash line included denotes environment and is not part of the claimed design.

**1 Claim, 4 Drawing Sheets**



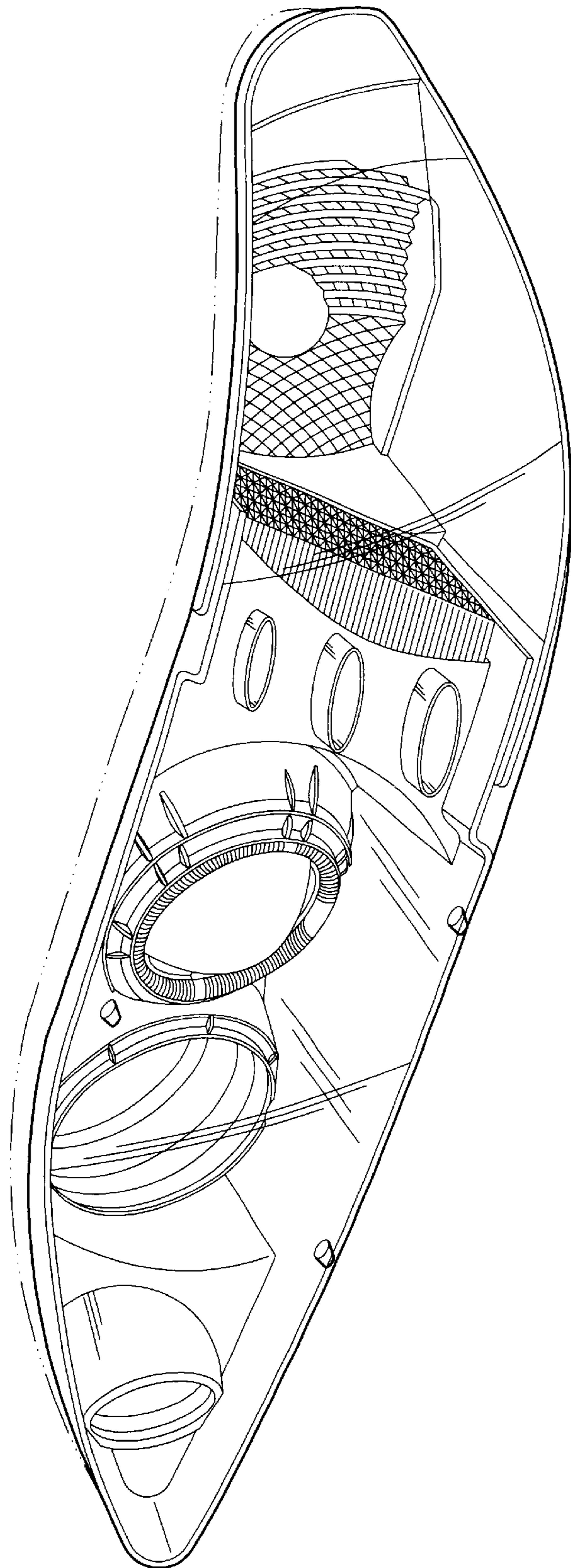


FIG. 1

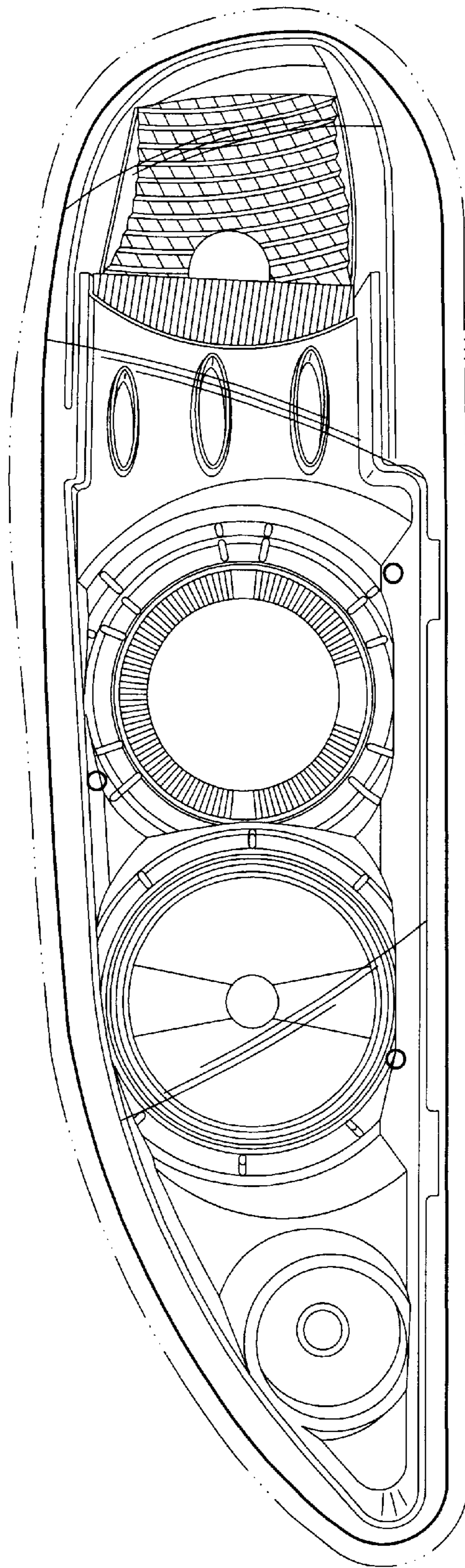


FIG. 2

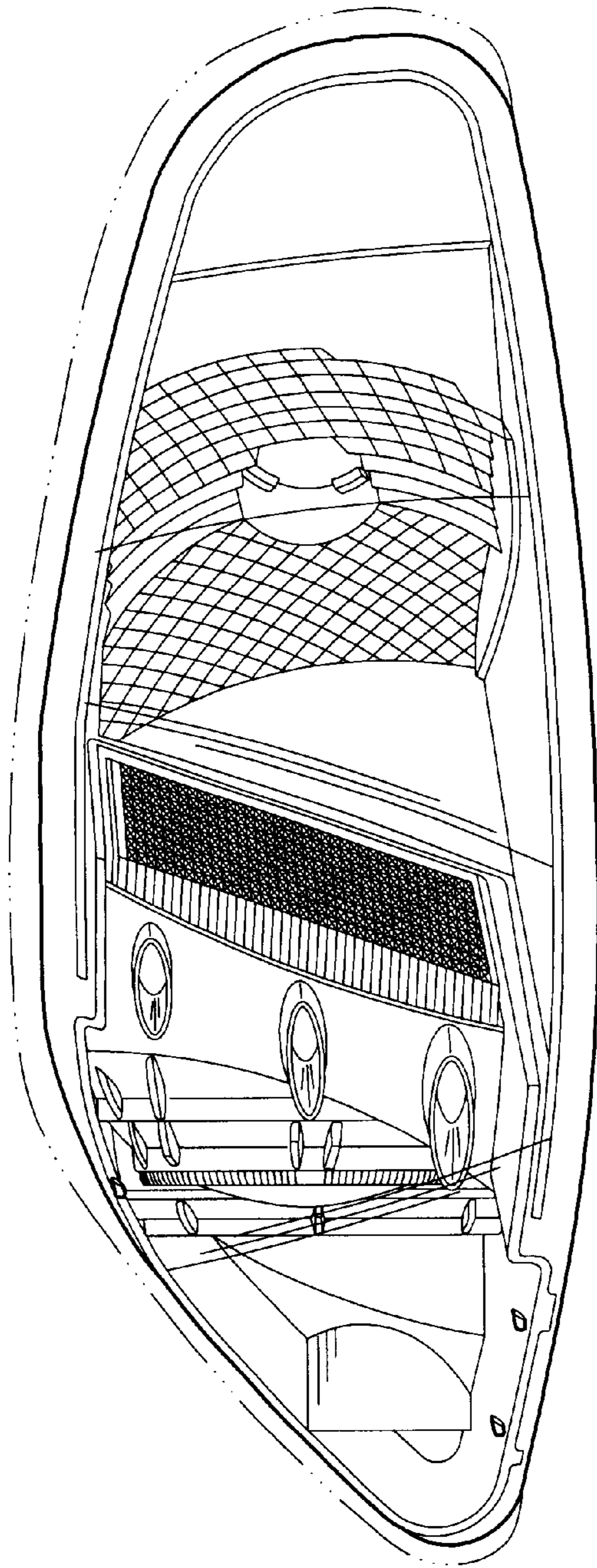


FIG. 3

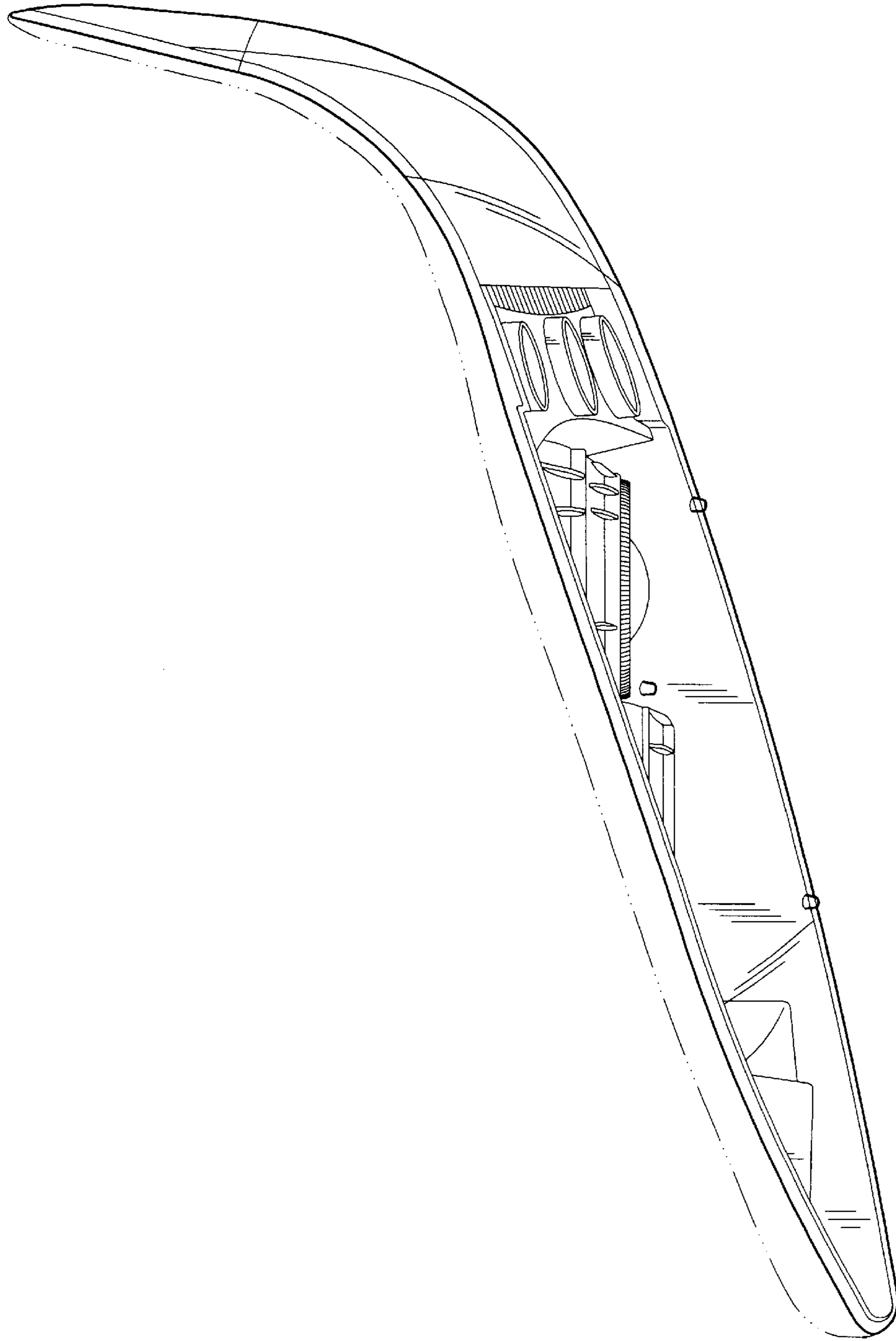


FIG. 4