



US00D526724S

(12) **United States Design Patent**
Chuang

(10) **Patent No.:** **US D526,724 S**

(45) **Date of Patent:** **** Aug. 15, 2006**

(54) **THERMOINSULATION METAL ENCAUSTIC TILE**

D453,382 S * 2/2002 Chuang D25/141
D458,392 S * 6/2002 O'Hagin et al. D25/143

(76) Inventor: **Sen-Jung Chuang**, No. 90-10, Hsia
Kwei Jou San, Tan Shui Chen, Taipei
County (TW)

* cited by examiner

Primary Examiner—Doris Clark
(74) *Attorney, Agent, or Firm*—Troxell Law Office, PLLC

(**) Term: **14 Years**

(57) **CLAIM**

(21) Appl. No.: **29/221,668**

The ornamental design for thermoinsulation metal encaustic tile, as shown and described.

(22) Filed: **Jan. 21, 2005**

DESCRIPTION

(51) **LOC (8) Cl.** **25-01**

(52) **U.S. Cl.** **D25/125**

(58) **Field of Classification Search** D25/139,
D25/141, 143, 144, 125; 52/314, 528, 535,
52/554, 557, 311.2

See application file for complete search history.

FIG. 1 is a perspective view of a thermoinsulation metal encaustic tile showing my new design; FIG. 2 is a front elevational view thereof; FIG. 3 is a rear elevation view thereof; FIG. 4 is a top plan view thereof; FIG. 5 is a bottom plan view thereof; FIG. 6 is a left side elevational view thereof; and, FIG. 7 is a right side elevational view thereof.

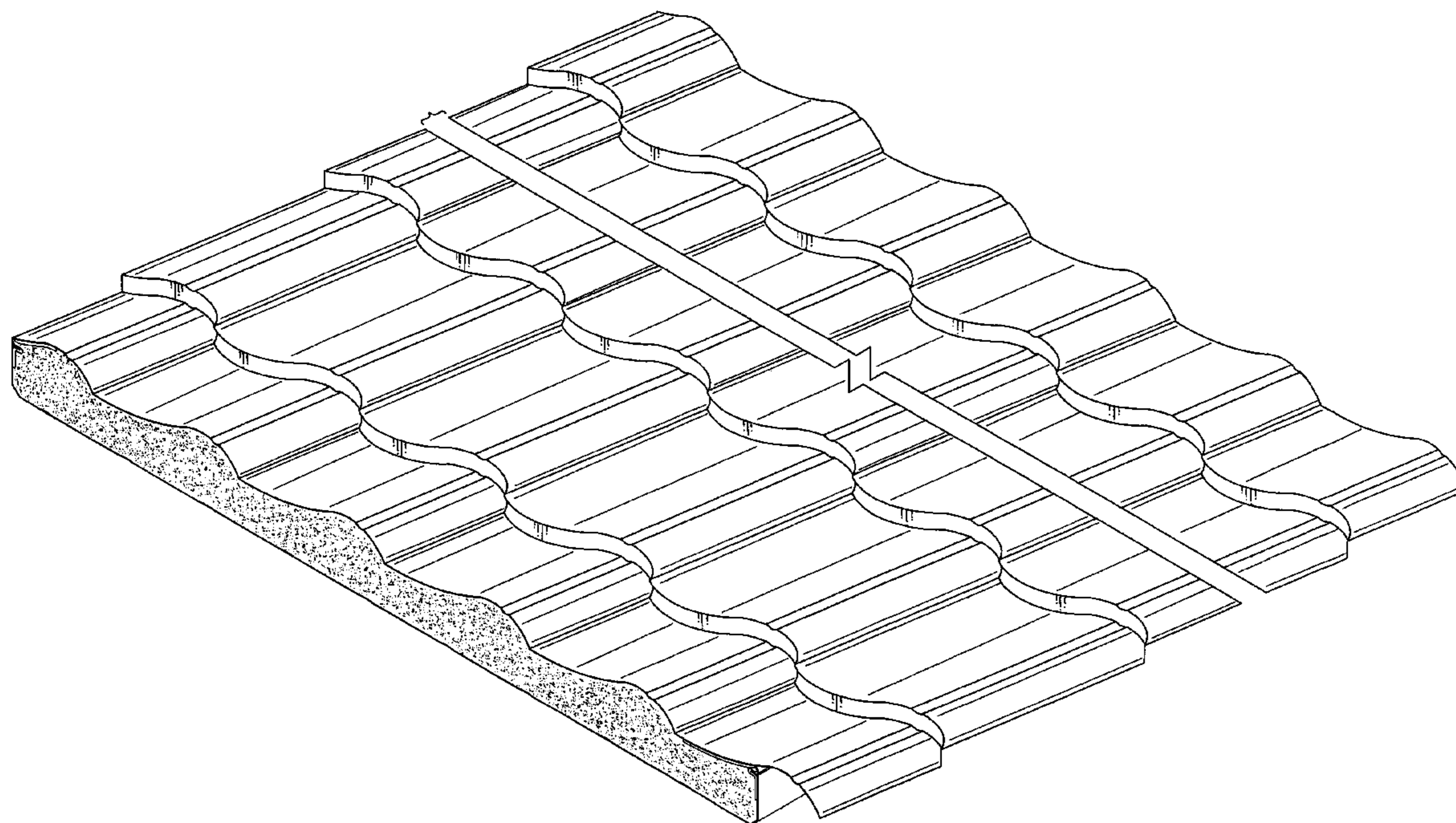
The claimed design is broken in the center to disclose indeterminate length.

(56) **References Cited**

U.S. PATENT DOCUMENTS

719,514 A * 2/1903 Schall 52/538
3,244,123 A * 4/1966 Pestritto et al. 99/645
D404,504 S * 1/1999 Dickey D25/125

1 Claim, 5 Drawing Sheets



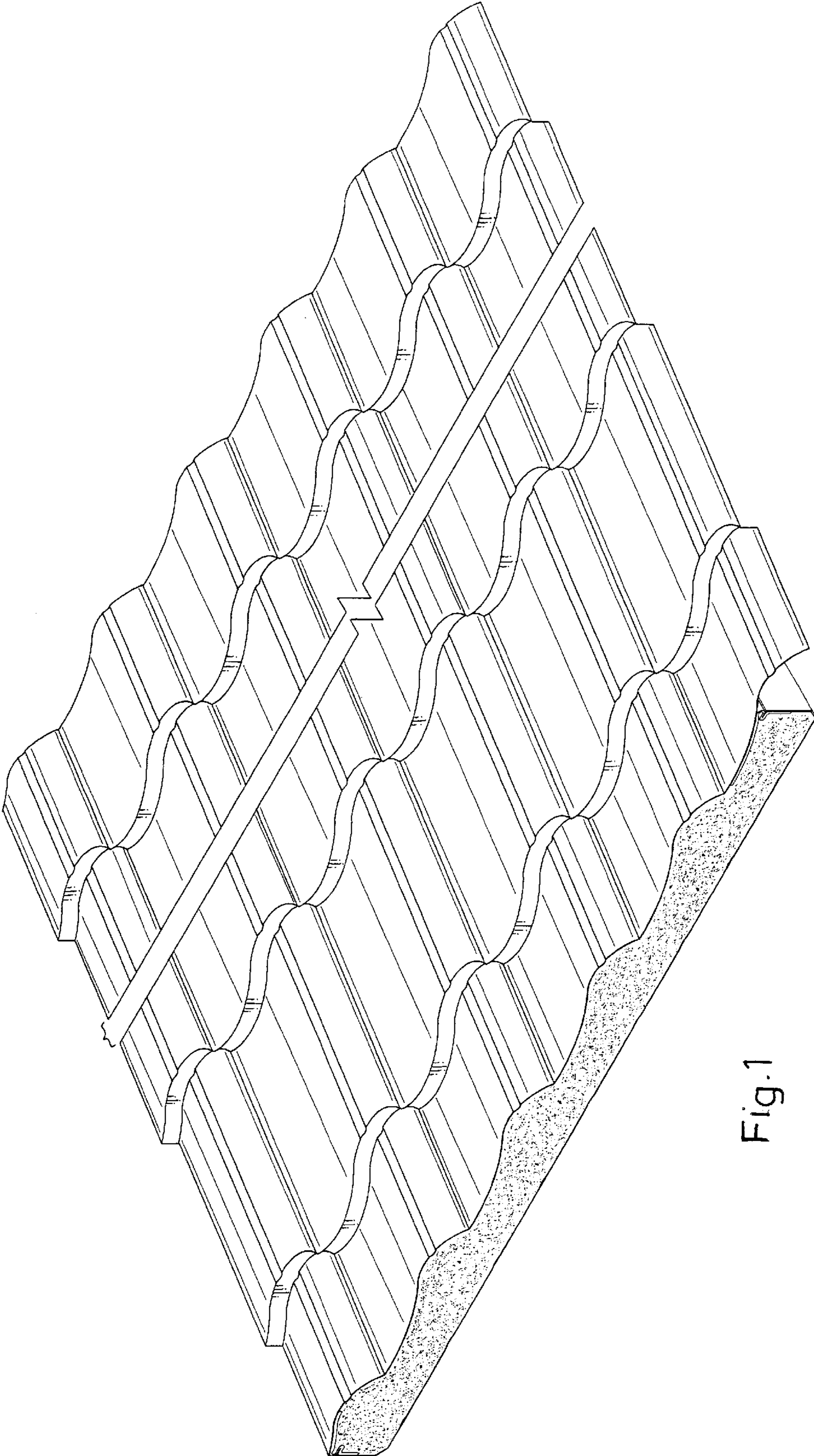


Fig.1

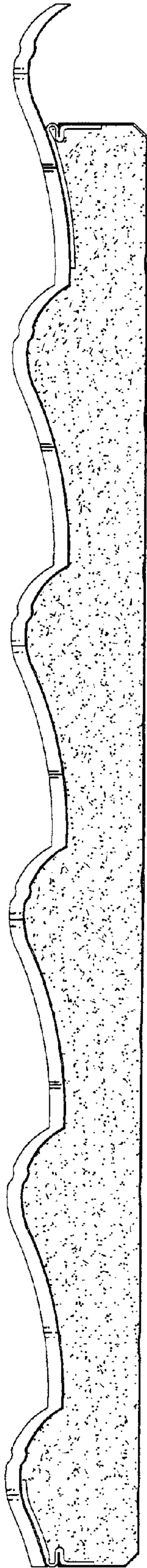


Fig. 2

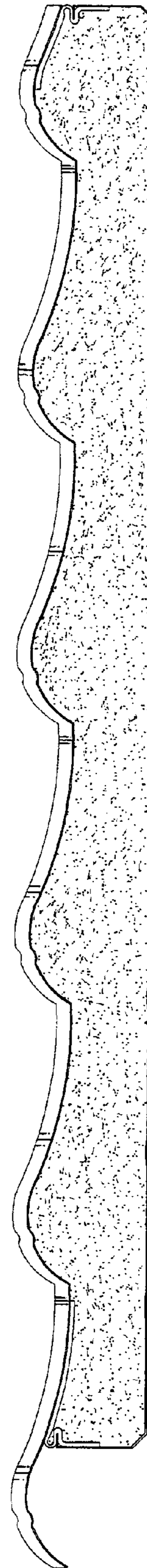


Fig. 3

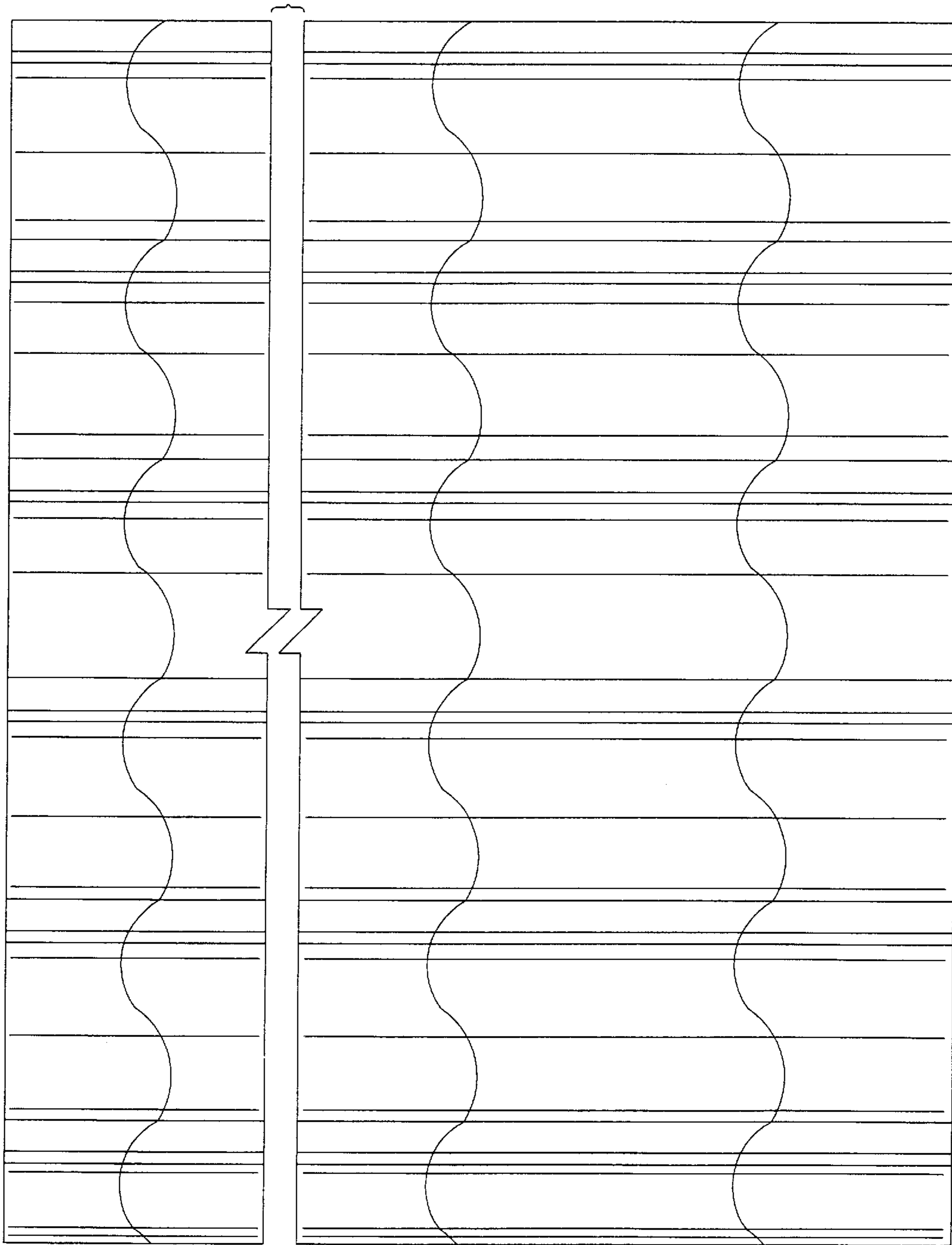


Fig. 4

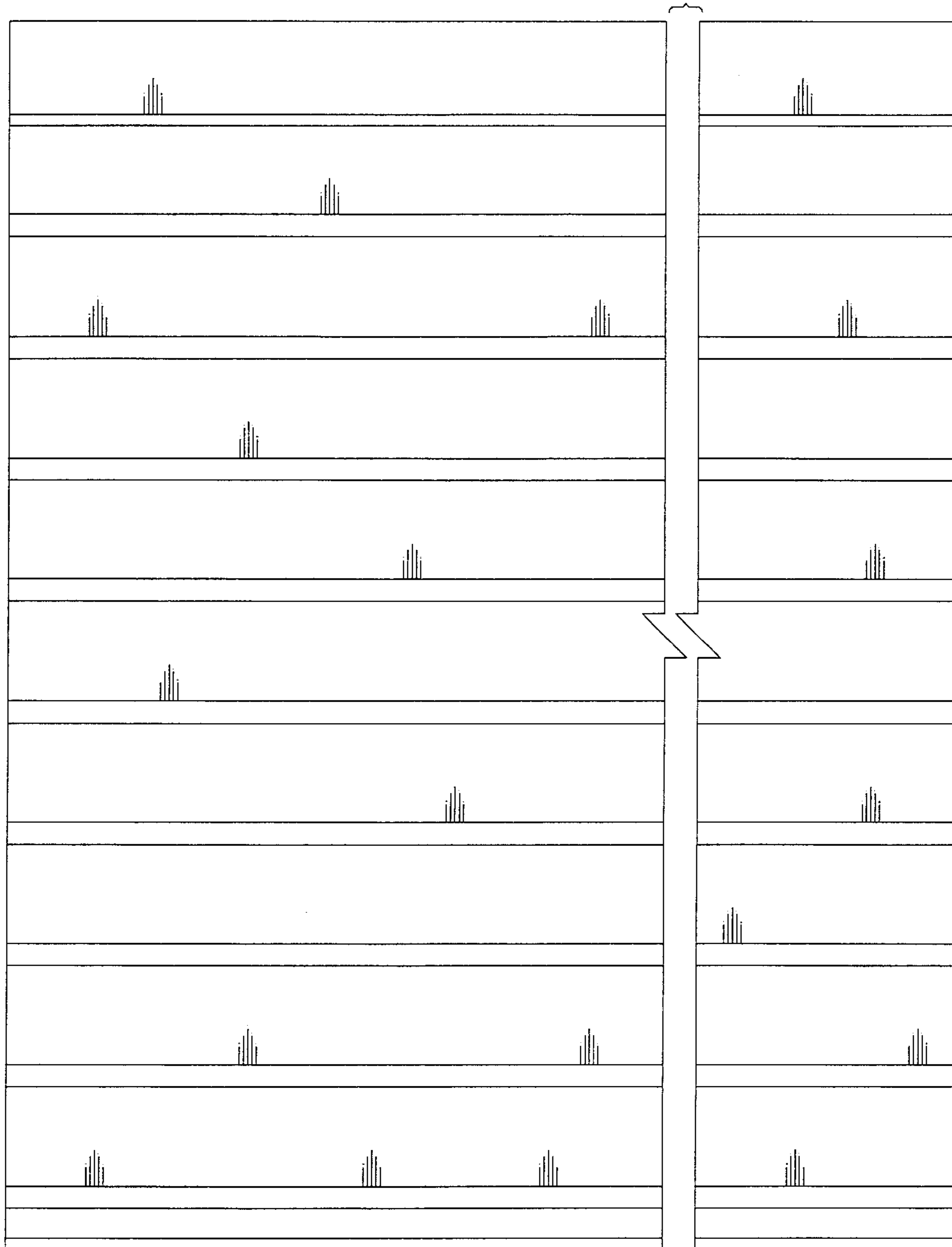


Fig. 5

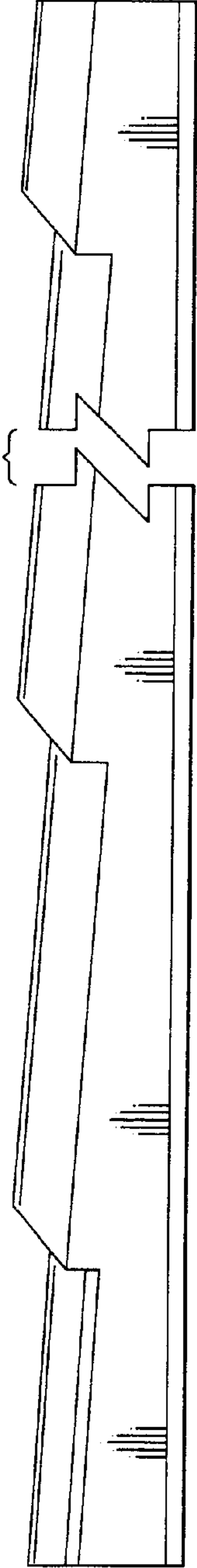


Fig. 6

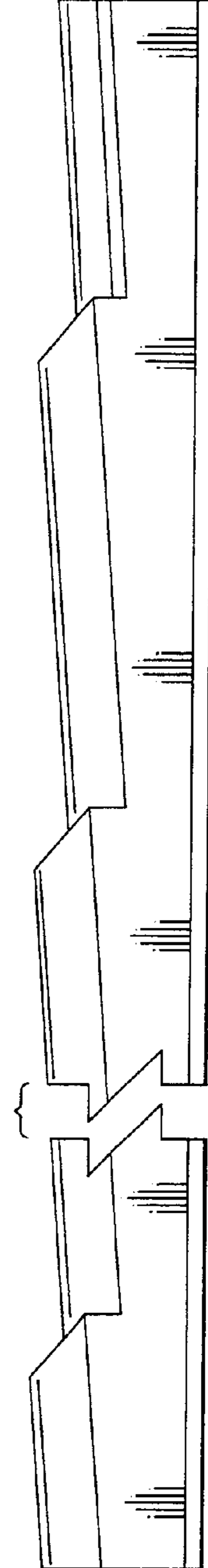


Fig. 7