



US00D526717S

(12) **United States Design Patent**
Yamaguchi et al.

(10) **Patent No.:** **US D526,717 S**

(45) **Date of Patent:** **** Aug. 15, 2006**

(54) **SPRAYER CARTRIDGE**

D362,501 S * 9/1995 Louviere D24/115
6,663,019 B1 * 12/2003 Garcia et al. 239/327

(75) Inventors: **Naoki Yamaguchi**, Hikone (JP);
Gerhard Robert Willi Seizer,
Shinagawa-ku (JP); **Shunichi**
Nagasawa, Nishinomiya (JP)

* cited by examiner

(73) Assignee: **The Procter & Gamble Company**,
Cincinnati, OH (US)

Primary Examiner—Ian Simmons
Assistant Examiner—Christopher Lee
(74) *Attorney, Agent, or Firm*—Vladimir Vitenberg; Laura
L. Whitmer; Tara M. Rosnell

(**) Term: **14 Years**

(57) **CLAIM**

(21) Appl. No.: **29/202,006**

The ornamental design for a sprayer cartridge, as shown and described.

(22) Filed: **Mar. 24, 2004**

DESCRIPTION

(30) **Foreign Application Priority Data**

Sep. 24, 2003 (GB) 3014534

FIG. 1 is perspective view of a sprayer cartridge, embodying our new design;

(51) **LOC (8) Cl.** **29-02**

FIG. 2 is a top plan view thereof;

(52) **U.S. Cl.** **D24/110**

FIG. 3 is a bottom view thereof;

(58) **Field of Classification Search** D24/110,

D24/115, 118; D9/695, 696, 683, 688; 222/633,

FIG. 4 is a front view thereof;

222/635, 206–213; 128/200.14, 200.22, 200.23,

FIG. 5 is a back view thereof;

128/203.28, 204.28, 205.14, 205.15

FIG. 6 is a right side view thereof;

See application file for complete search history.

FIG. 7 is a left side view thereof; and,

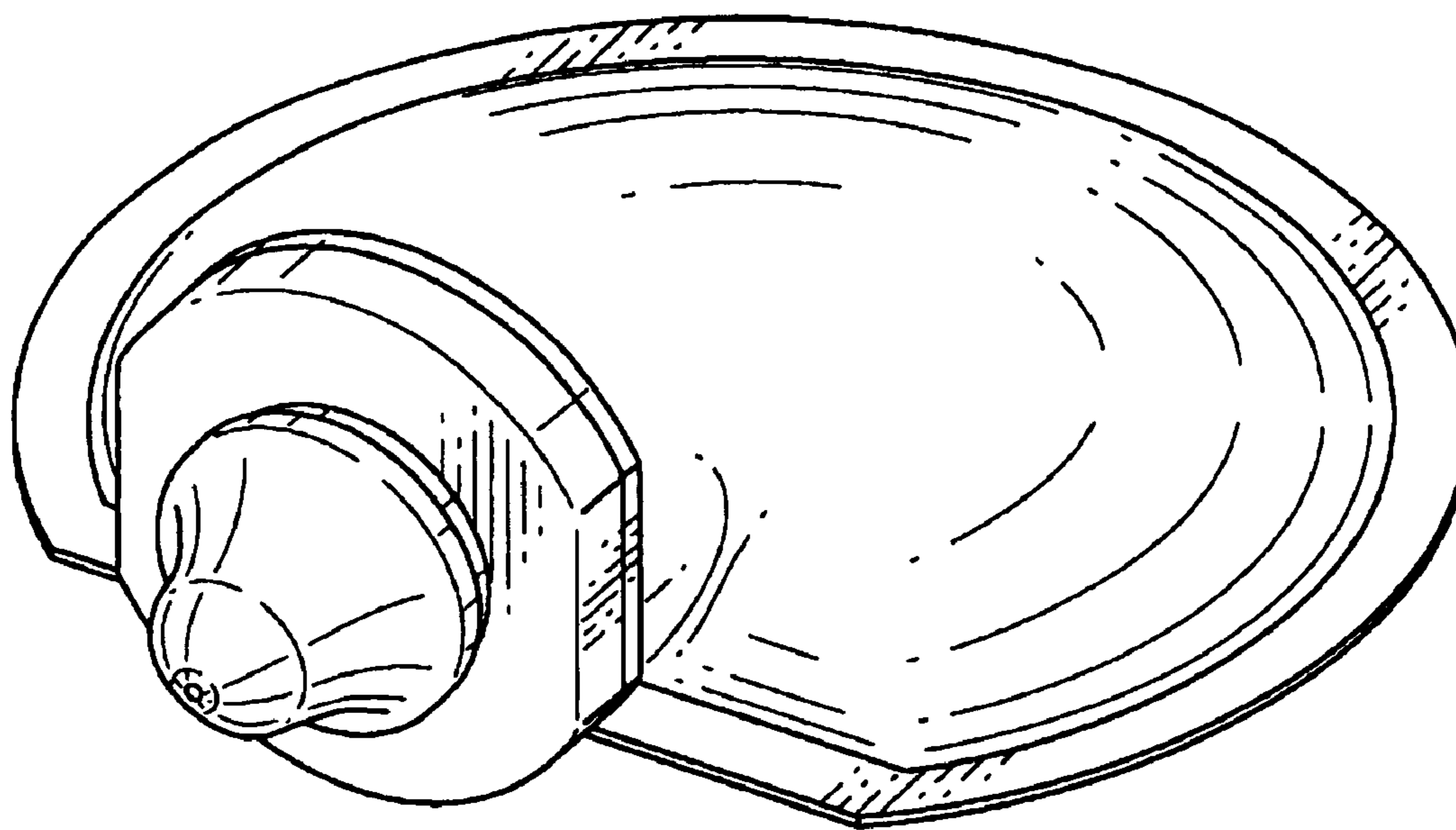
FIG. 8 is a perspective view thereof.

(56) **References Cited**

U.S. PATENT DOCUMENTS

1,104,607 A * 7/1914 Berger 239/327

1 Claim, 5 Drawing Sheets



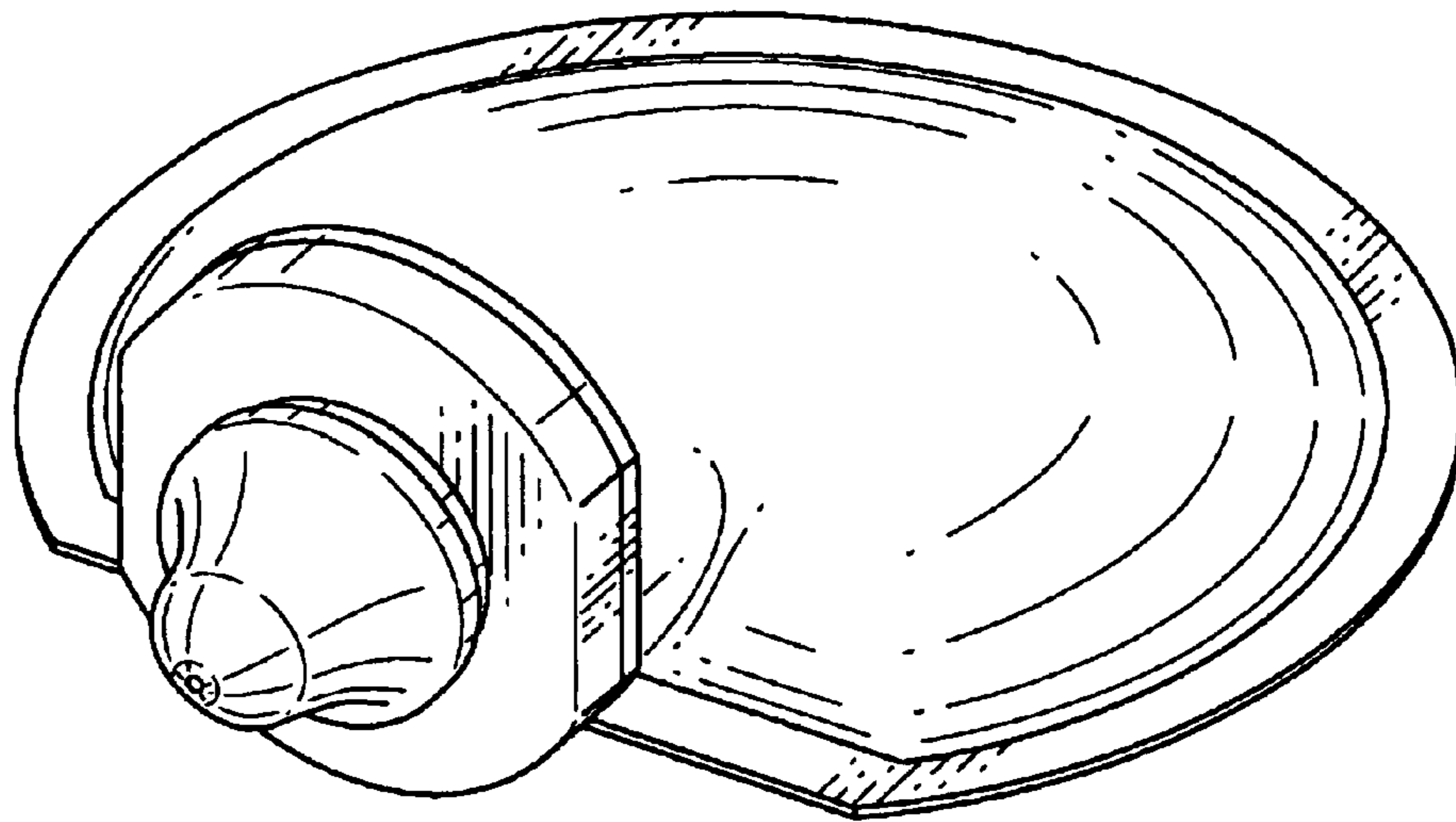


Fig. 1

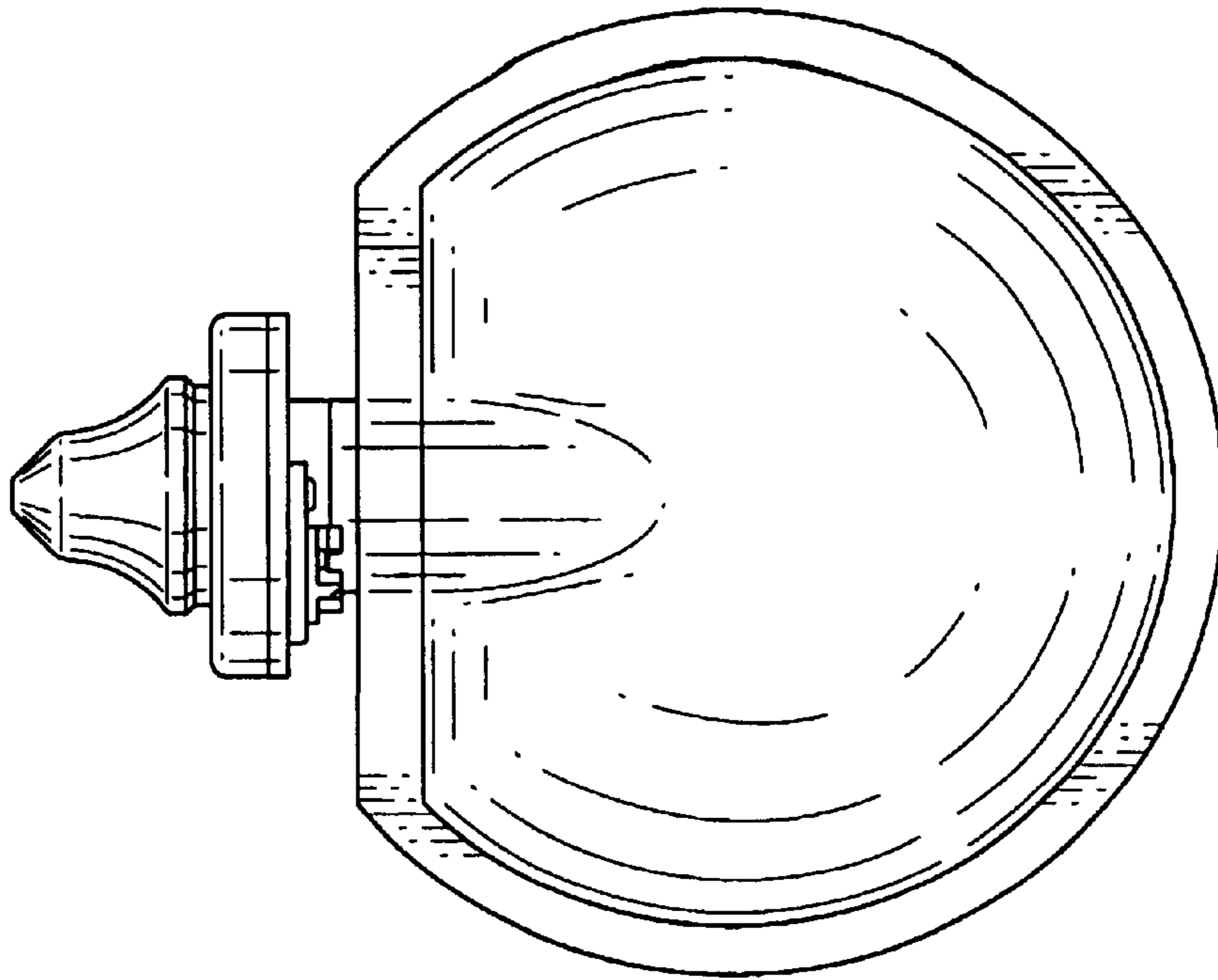


Fig. 2

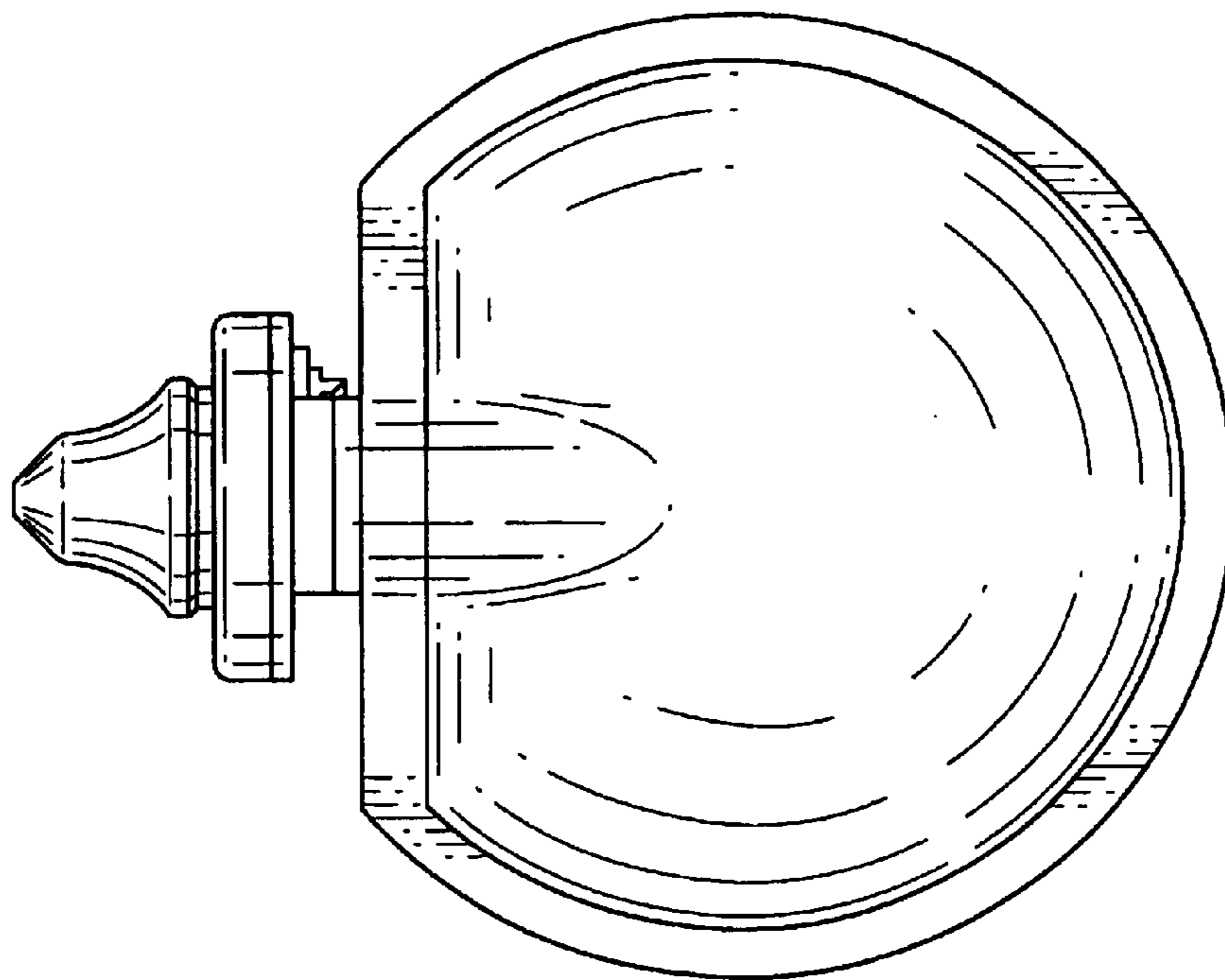


Fig. 3

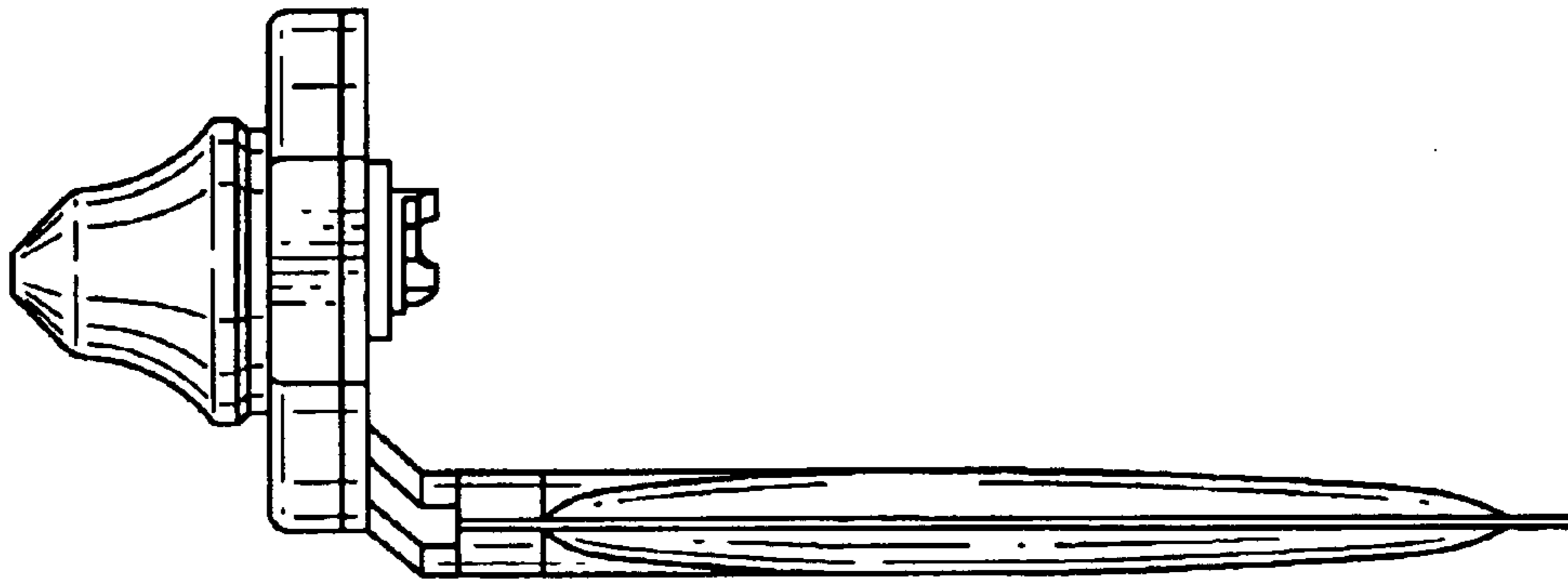


Fig. 4

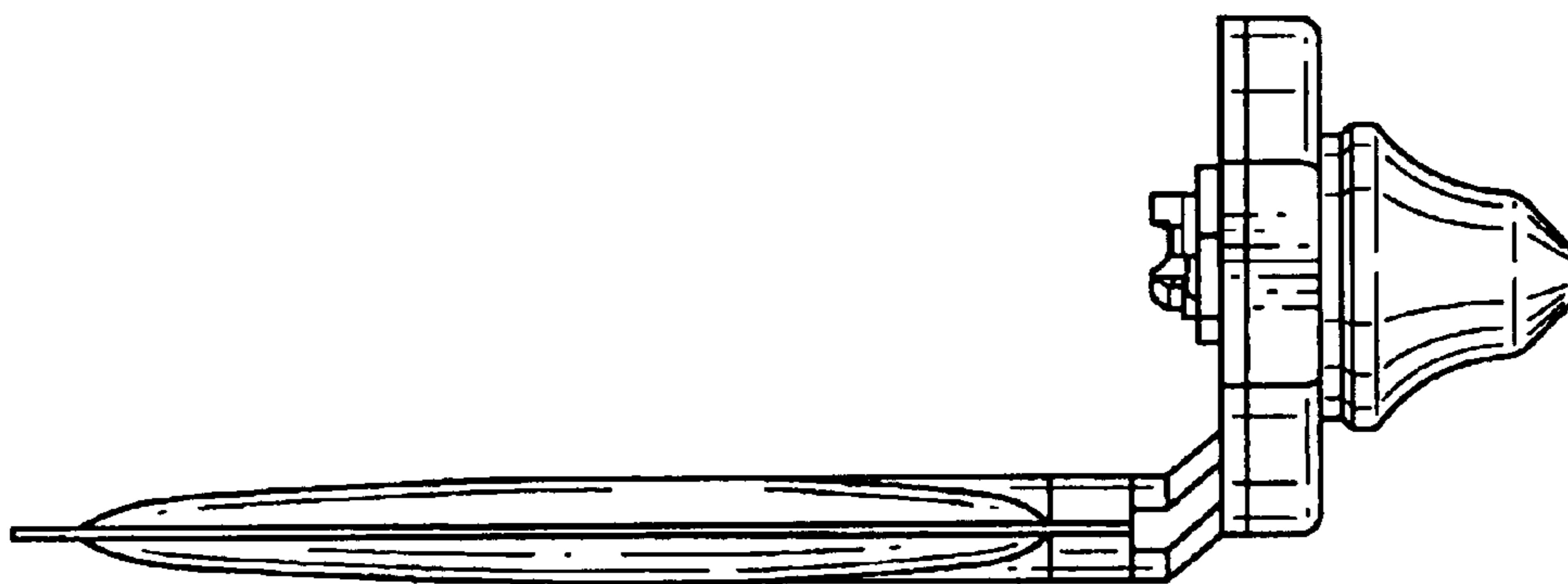


Fig. 5

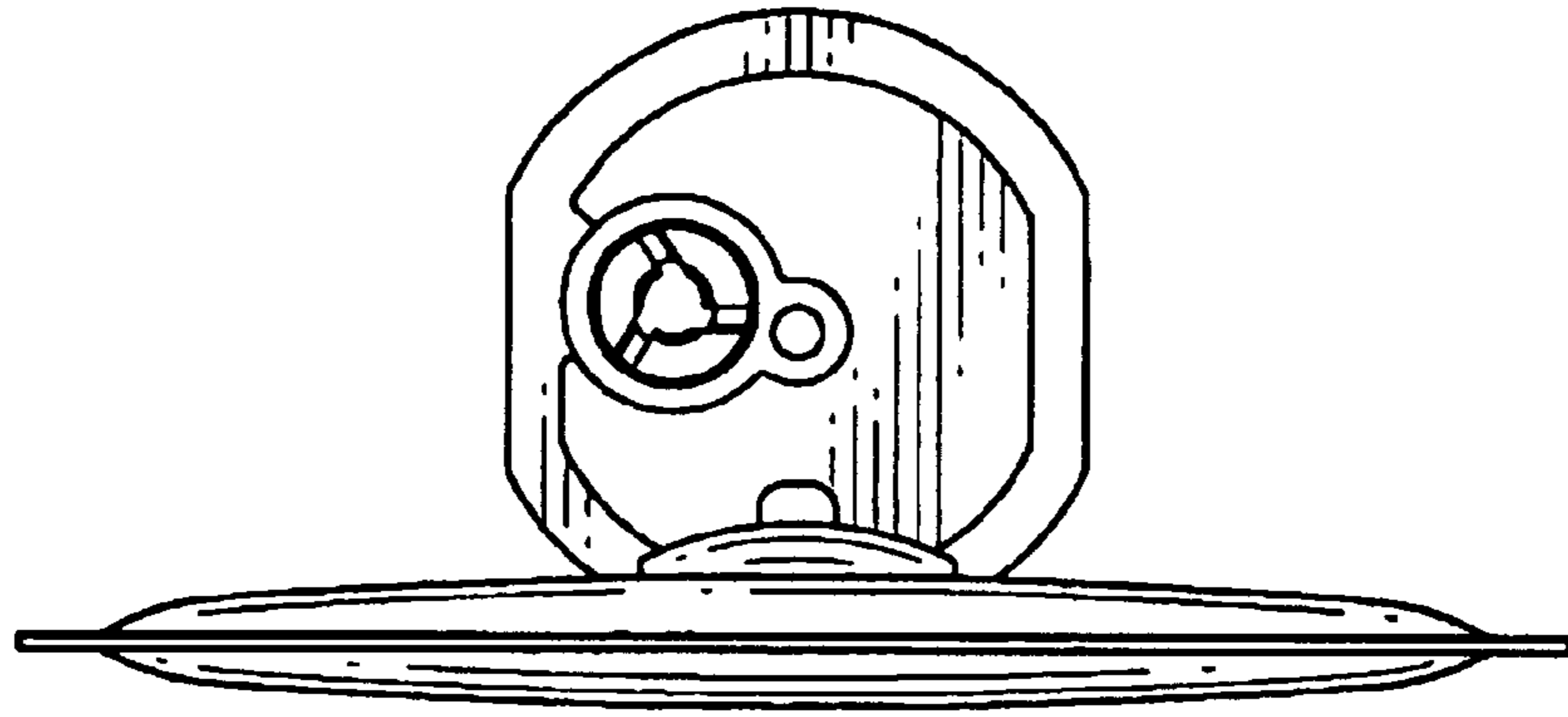


Fig. 6

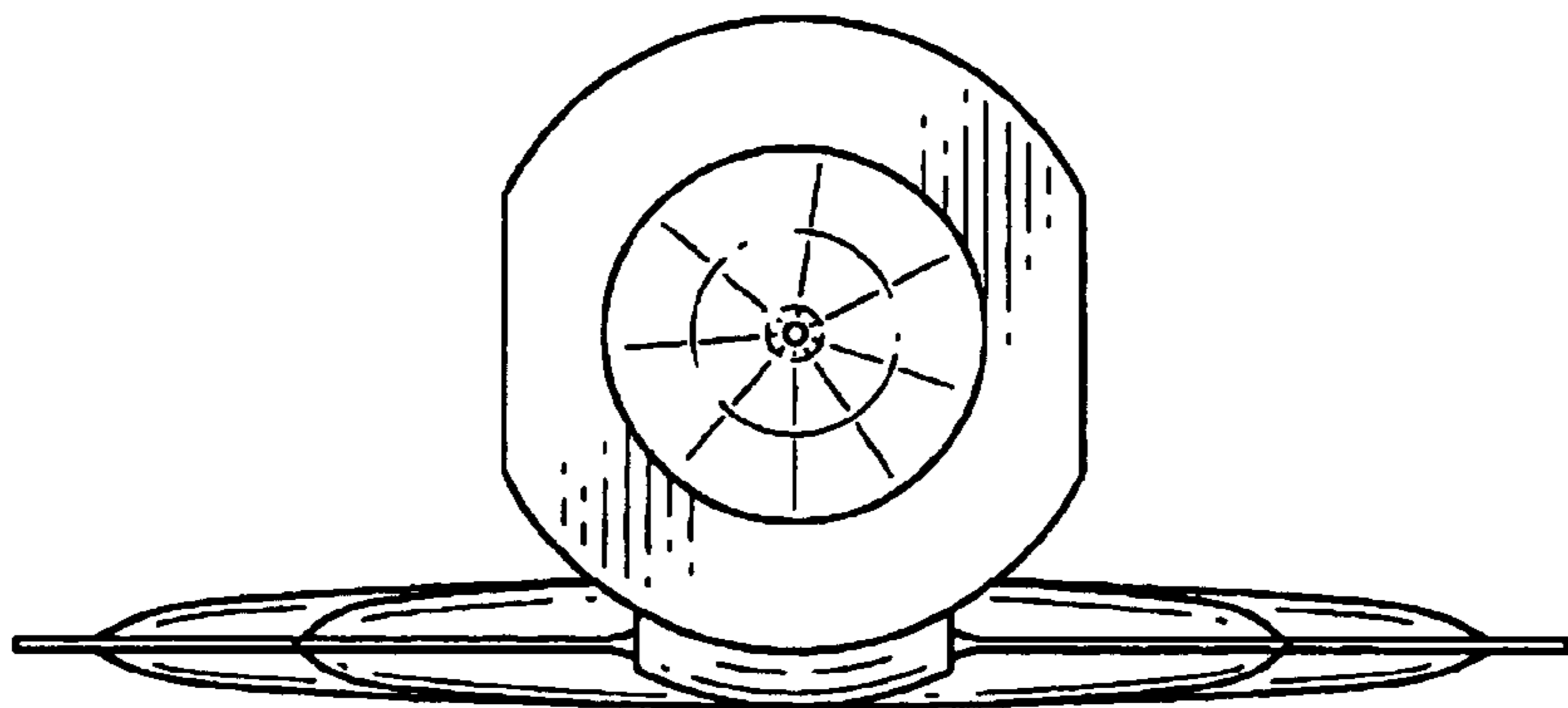


Fig. 7

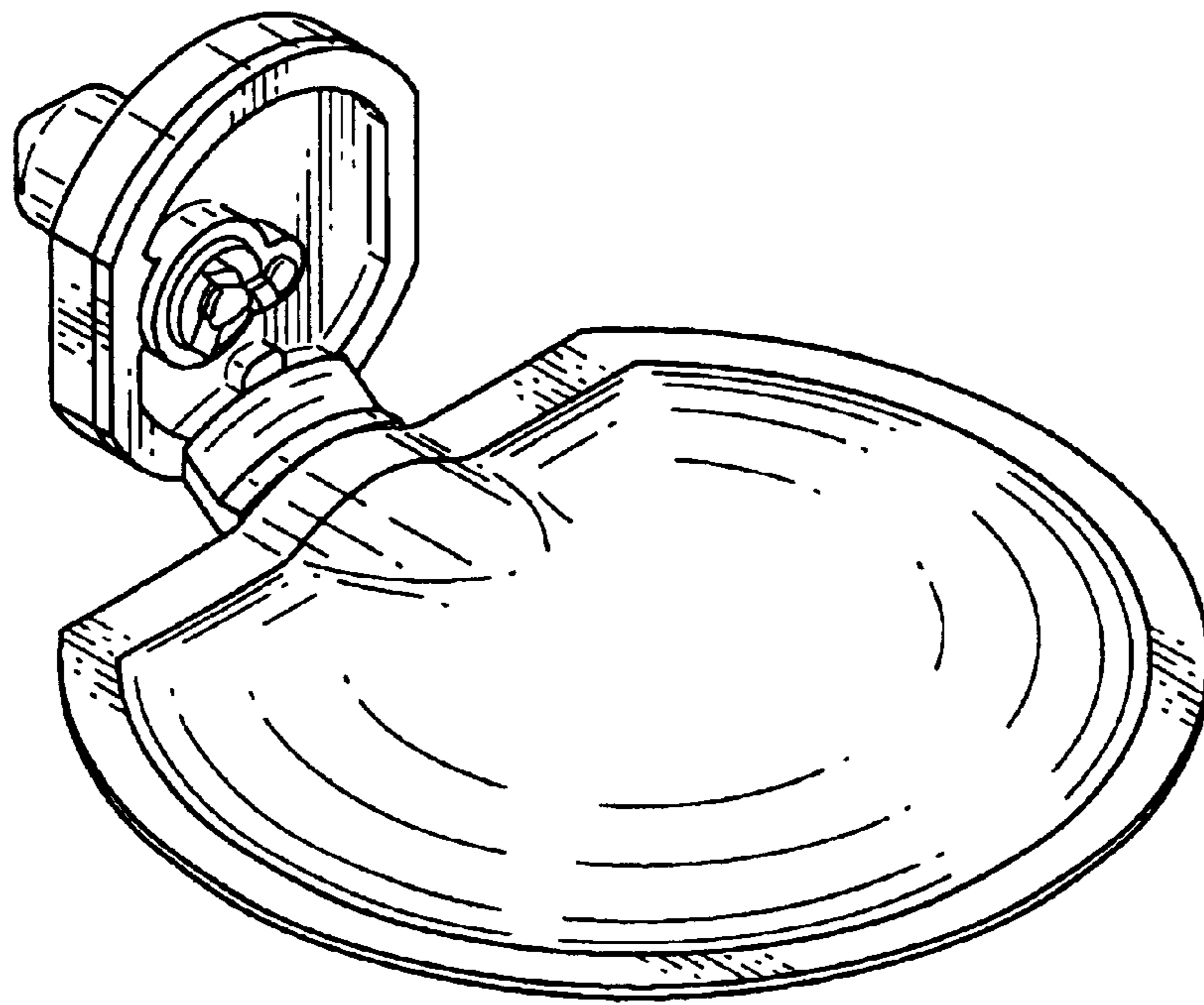


Fig. 8

UNITED STATES PATENT AND TRADEMARK OFFICE
CERTIFICATE OF CORRECTION

PATENT NO. : Des. 526,717 S
APPLICATION NO. : 29/202006
DATED : August 15, 2006
INVENTOR(S) : Naoki Yamaguchi et al.

Page 1 of 1

It is certified that error appears in the above-identified patent and that said Letters Patent is hereby corrected as shown below:

On the Title page, item (73) should read as follows:

Item
(73) Assignee: **The Procter & Gamble Company,**
Cincinnati, OH (US)

And

Matsushita Electric Works, Ltd.
Kadoma-shi, Osaka, (Japan)

Signed and Sealed this

Second Day of December, 2008



JON W. DUDAS

Director of the United States Patent and Trademark Office