



US00D526715S

(12) **United States Design Patent**  
**Glasbrenner**

(10) **Patent No.:** **US D526,715 S**

(45) **Date of Patent:** **\*\* Aug. 15, 2006**

(54) **CEILING FAN MOTOR HOUSING**

(75) Inventor: **Brian Glasbrenner**, Santa Monica, CA  
(US)

(73) Assignee: **Air Cool Industrial Co., Ltd.**,  
Taichung Hsien (TW)

(\*\*) Term: **14 Years**

(21) Appl. No.: **29/241,844**

(22) Filed: **Nov. 2, 2005**

(51) **LOC (8) Cl.** ..... **23-04**

(52) **U.S. Cl.** ..... **D23/411**

(58) **Field of Classification Search** ..... D23/411,  
D23/413, 377, 379, 385; 416/5  
See application file for complete search history.

(56) **References Cited**

**U.S. PATENT DOCUMENTS**

D312,689 S \* 12/1990 Weatherford ..... D23/377

\* cited by examiner

*Primary Examiner*—Lisa Lichtenstein

(74) *Attorney, Agent, or Firm*—Troxell Law Office, PLLC

(57) **CLAIM**

The ornamental design for a ceiling fan motor housing, as shown and described.

**DESCRIPTION**

FIG. 1 is a perspective view of a ceiling fan motor housing showing my new design;

FIG. 2 is a front end elevation view thereof;

FIG. 3 is a rear end elevation view thereof;

FIG. 4 is a left side elevation view thereof;

FIG. 5 is a right side elevation view thereof;

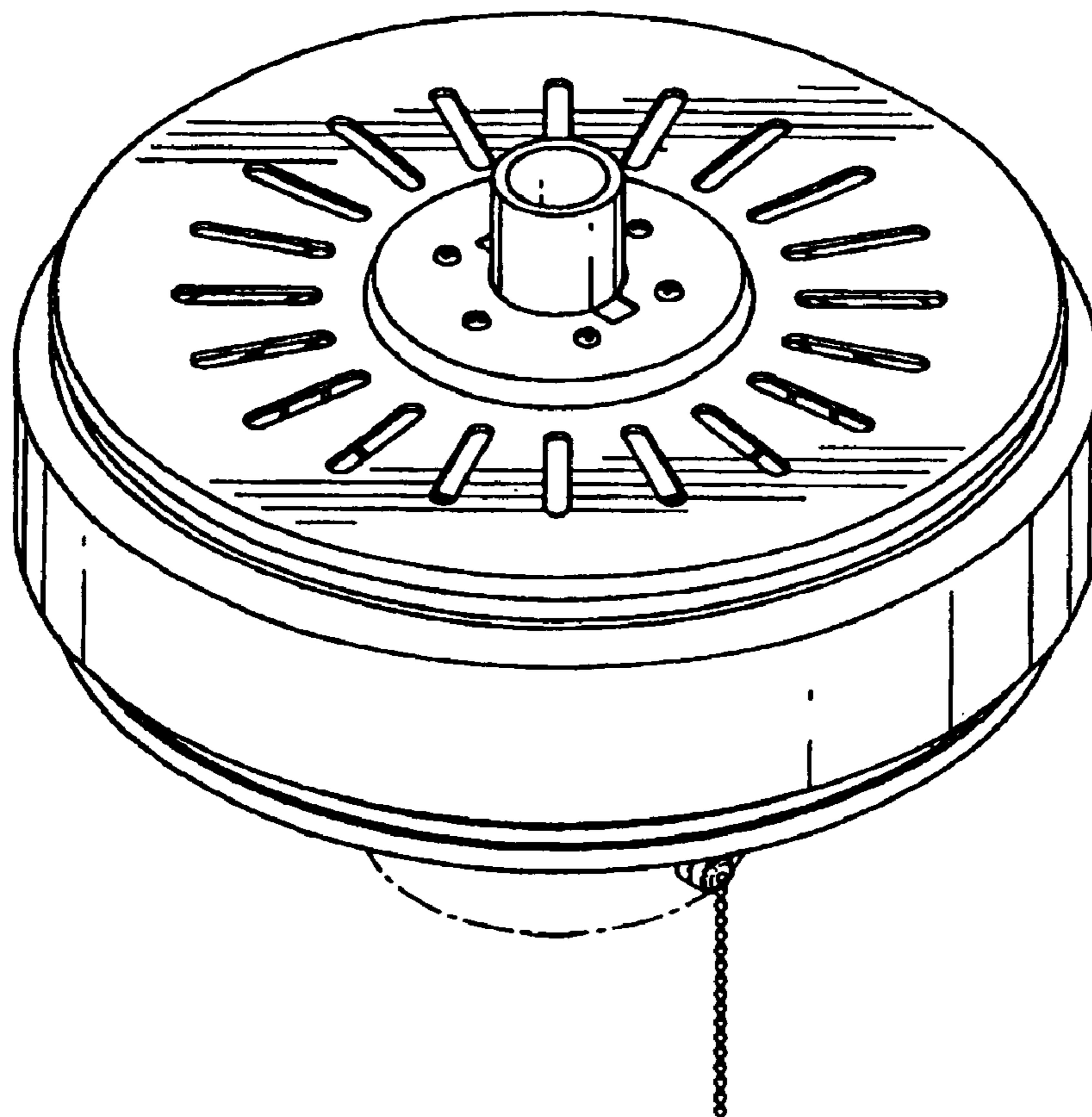
FIG. 6 is a top plan view thereof;

FIG. 7 is a bottom plan view thereof; and,

FIG. 8 is a reduced front end view of the ceiling fan motor housing in accordance with my design, shown in its environment.

The broken lines in the views show environmental features, which are for illustrative purposes only and form no part of the claimed design.

**1 Claim, 5 Drawing Sheets**



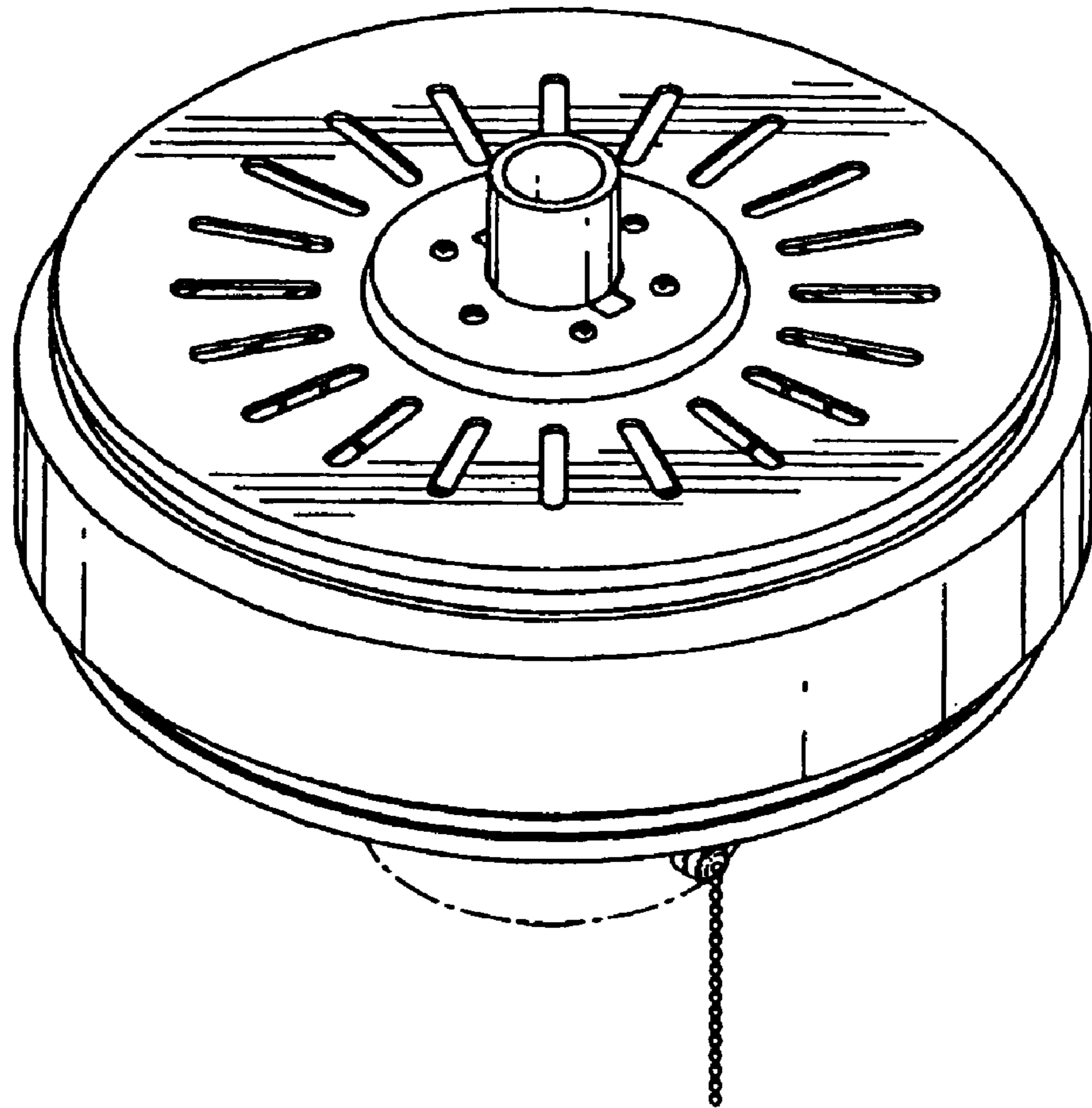


FIG. 1

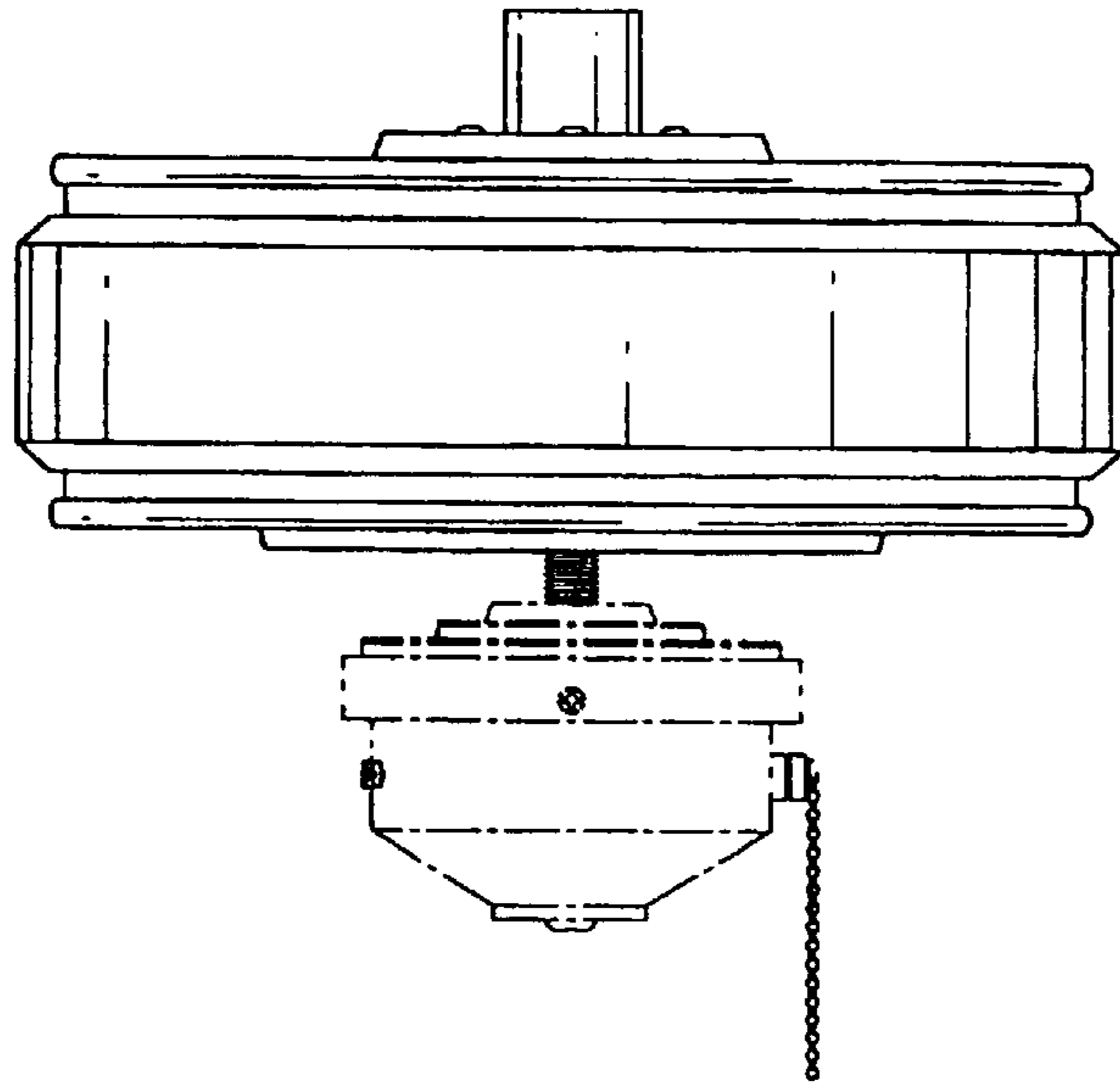


FIG. 2

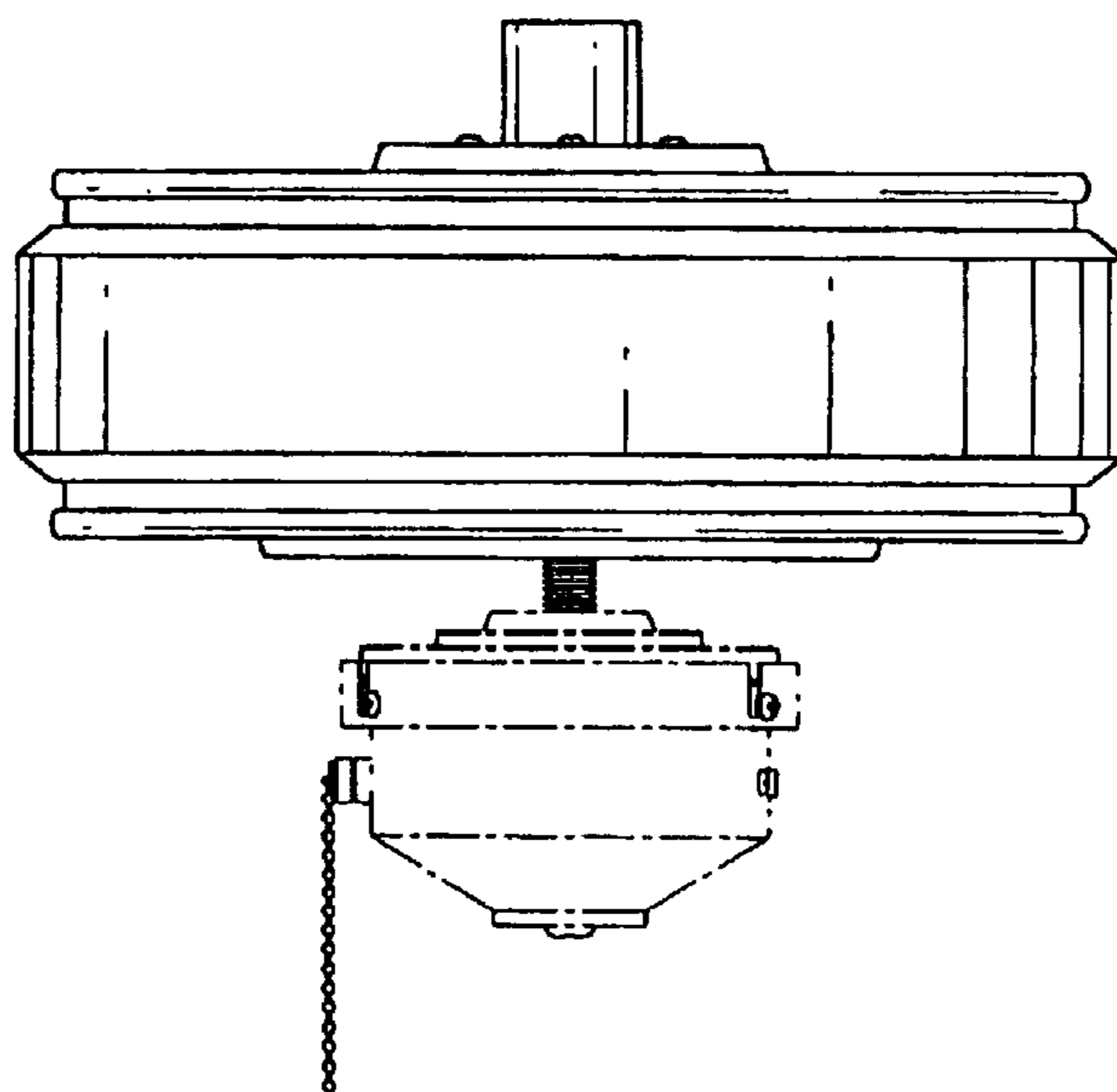


FIG. 3

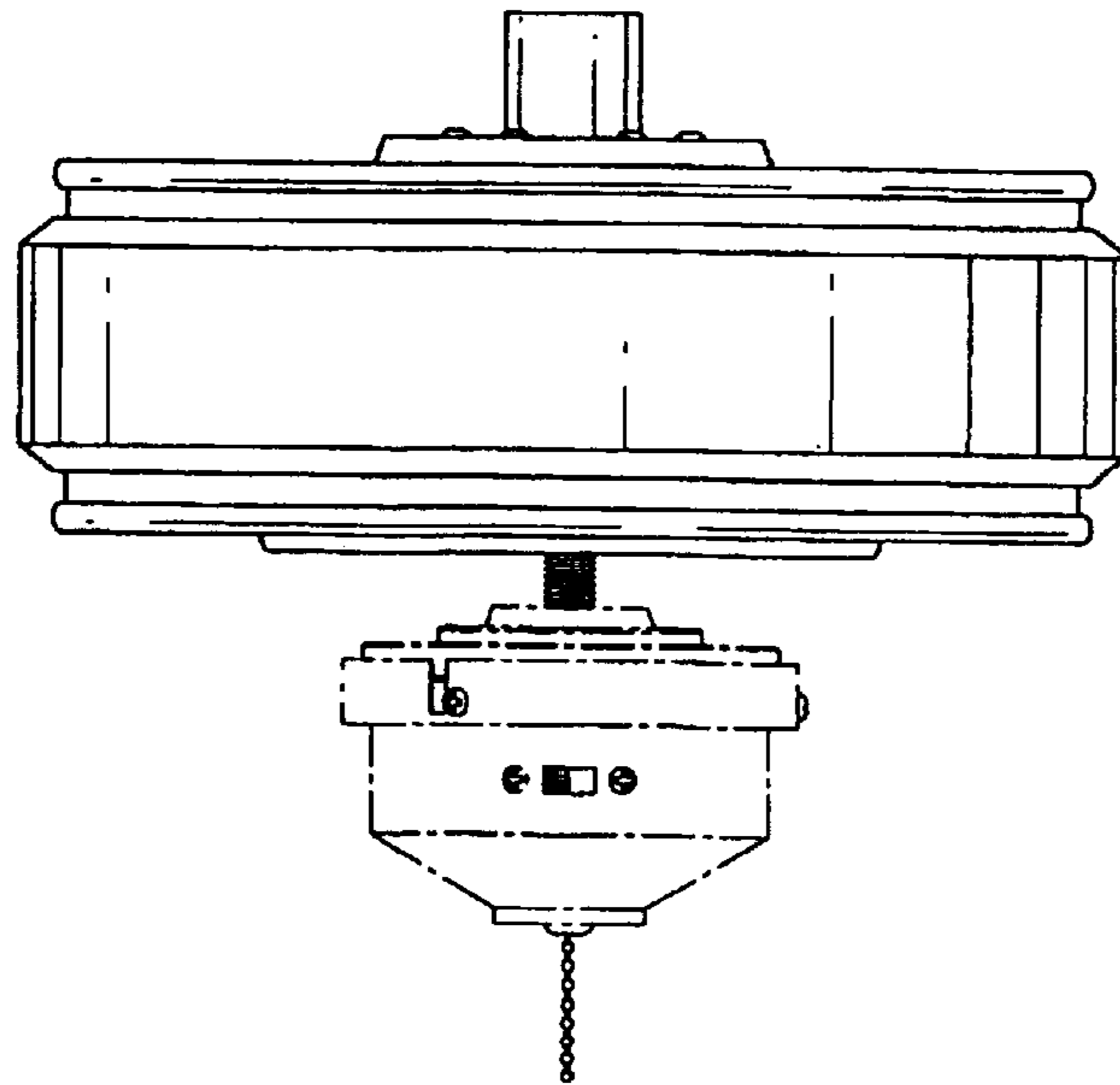


FIG. 4

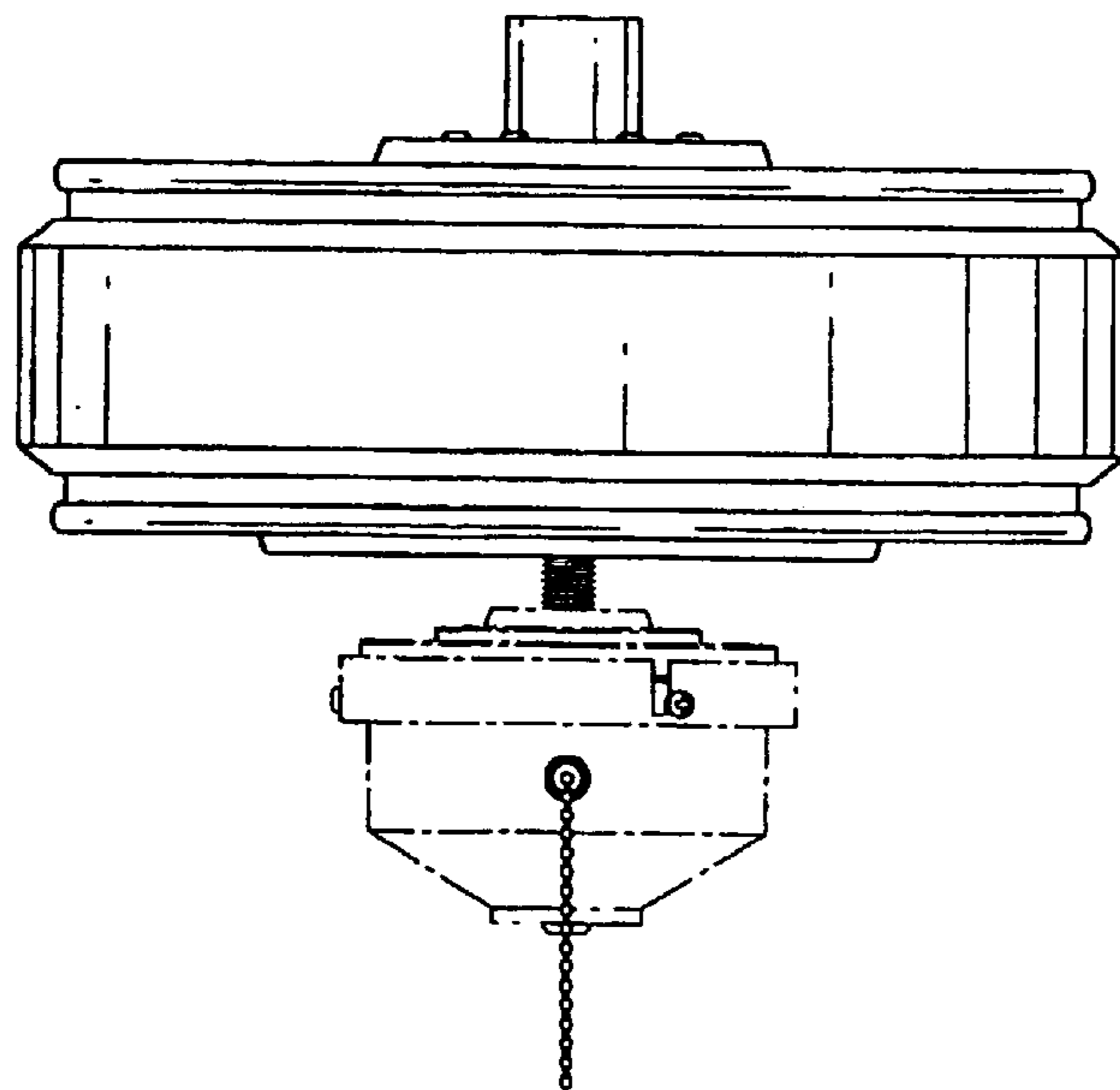


FIG. 5

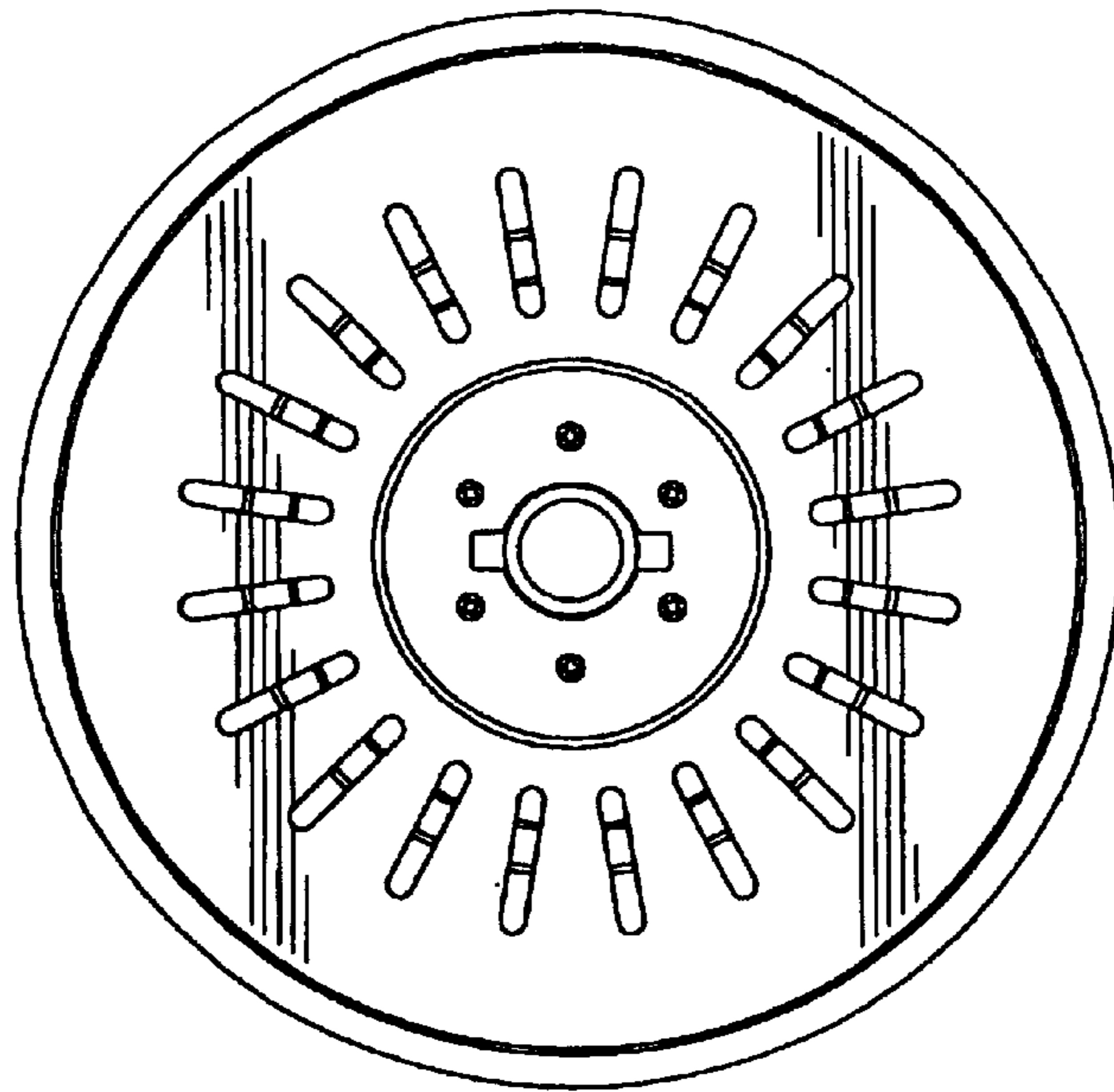


FIG. 6

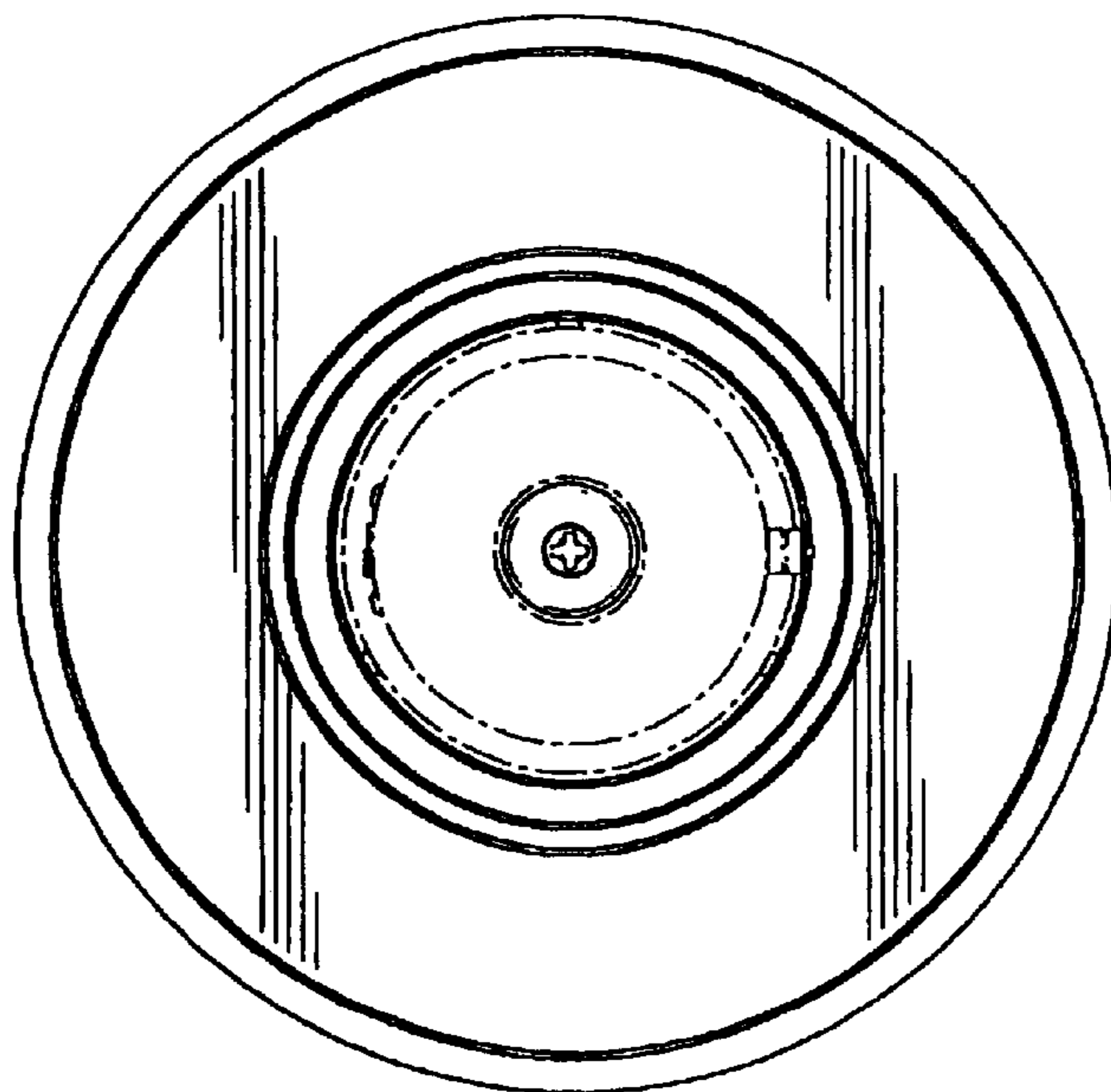


FIG. 7

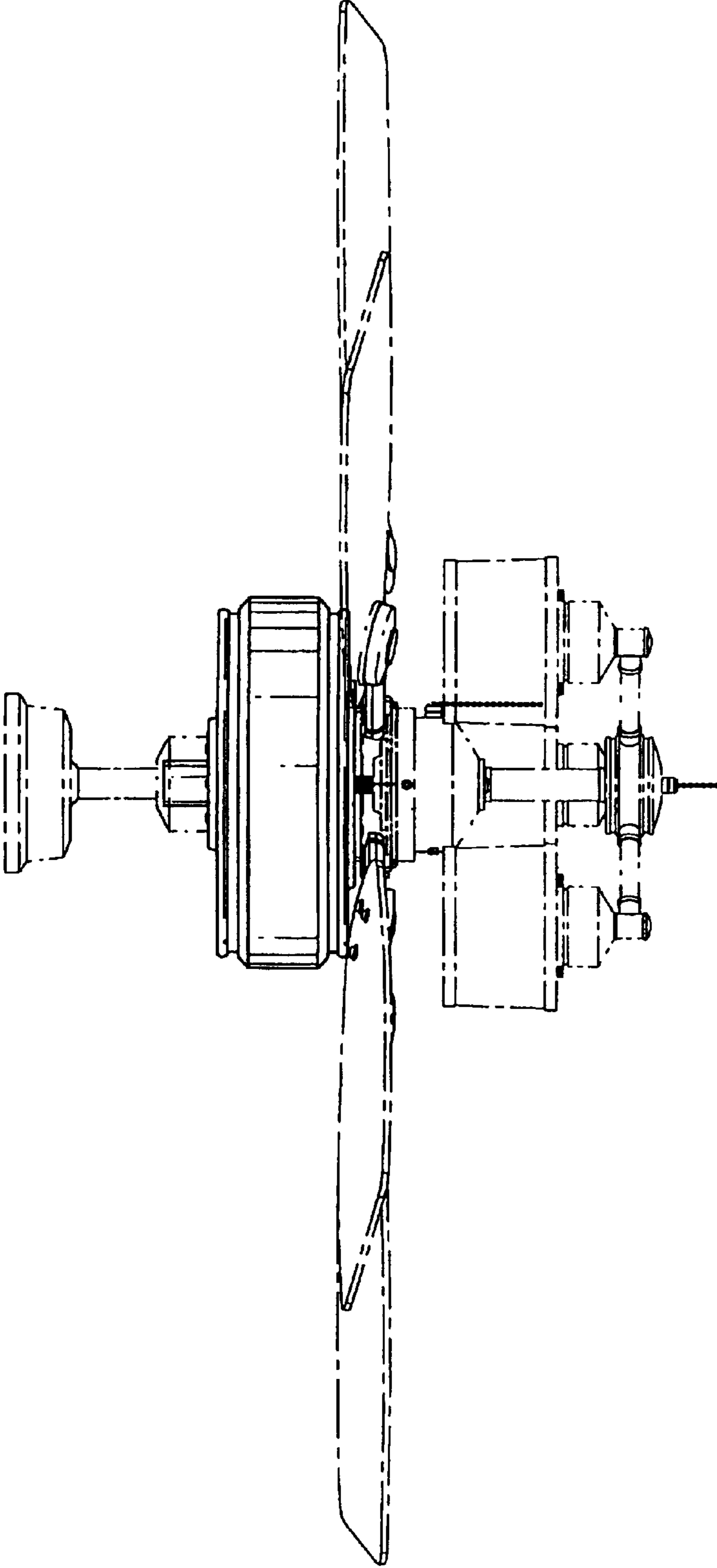


FIG. 8