



US00D526714S

(12) **United States Design Patent**
Hidalgo

(10) **Patent No.:** **US D526,714 S**
(45) **Date of Patent:** **** Aug. 15, 2006**

(54) **CEILING FAN BLADE IRON**

(75) Inventor: **Rolando Hidalgo**, Orange, CA (US)

(73) Assignee: **Minka Lighting, Inc.**, Corona, CA (US)

(**) Term: **14 Years**

(21) Appl. No.: **29/237,284**

(22) Filed: **Aug. 29, 2005**

(51) **LOC (8) Cl.** **23-04**

(52) **U.S. Cl.** **D23/411**

(58) **Field of Classification Search** D23/411,
D23/413, 377, 379, 385; 416/5, 210 R; D26/72,
D26/81-88, 51, 59

See application file for complete search history.

(56) **References Cited**

U.S. PATENT DOCUMENTS

D386,574 S	*	11/1997	Gee, II	D23/411
D387,156 S	*	12/1997	Johnson	D23/411
D404,479 S	*	1/1999	Yang	D23/377
D414,258 S	*	9/1999	Yao	D23/411
D428,129 S	*	7/2000	Huang	D23/411
D434,490 S	*	11/2000	Tsuji et al.	D23/411
D513,315 S	*	12/2005	Hidalgo	D23/377

OTHER PUBLICATIONS

Minka Lighting, Inc.; MinkaAire 2005 catalog; Jan. 2005; p. 26; Minka Lighting, Inc.; U.S.A.

Minka Lighting, Inc.; MinkaAire 2005 catalog; Jan. 2005; p. 27; Minka Lighting, Inc.; U.S.A.

Casablanca Internet Catalog; Santorini; Model #SANM-45; printed from www.hansenwholesale.com on Apr. 27, 2005.

Disclosure from Prior Publication; Jul. 2000.

Disclosure from Prior Publication; Jul. 2000.

Ellington Internet Catalog; The Agean; Model #ELAGN52ABZ5LKRCR3; printed from www.fanwork-soutlet.com on Apr. 27, 2005.

Ellington Internet Catalog; The Neoclassic; Model #ELNCL52NC5LKRC; printed from www.fanworkoutlet.com on Apr. 27, 2005.

Hampton Bay Ceiling Fans; Hampton Bay Ceiling Fans 2004, vol. 2 catalog; p. 12; Homer TLC, Inc.; U.S.A.

Hampton Bay Ceiling Fans; Hampton Bay Ceiling Fans 2004, vol. 2 catalog; p. 13; Homer TLC, Inc.; U.S.A.

Hampton Bay Ceiling Fans; Hampton Bay Ceiling Fans 2004, vol. 2 catalog; p. 4; Homer TLC, Inc.; U.S.A.

Hampton Bay Ceiling Fans; Hampton Bay Ceiling Fans 2004, vol. 2 catalog; p. 3; Homer TLC, Inc. U.S.A.

Hunter Internet Catalog; Aventine; Model #HU-28441; printed from www.hansenwholesale.com on Apr. 27, 2005.

Monte Carlo Internet Catalog; St. Ives; Model #MC5S160AF; printed from www.hansenwholesale.com on Apr. 21, 2005.

* cited by examiner

Primary Examiner—Lisa Lichtenstein

(74) *Attorney, Agent, or Firm*—Baker & McKenzie LLP

(57) **CLAIM**

The ornamental design for a ceiling fan blade iron, as shown and described.

DESCRIPTION

FIG. 1 is a perspective view from below of a ceiling fan blade iron in accordance with my design;

FIG. 2 is an enlarged perspective view from below of the ceiling fan blade iron in accordance with my design;

FIG. 3 is an enlarged bottom plan view of the ceiling fan blade iron in accordance with my design;

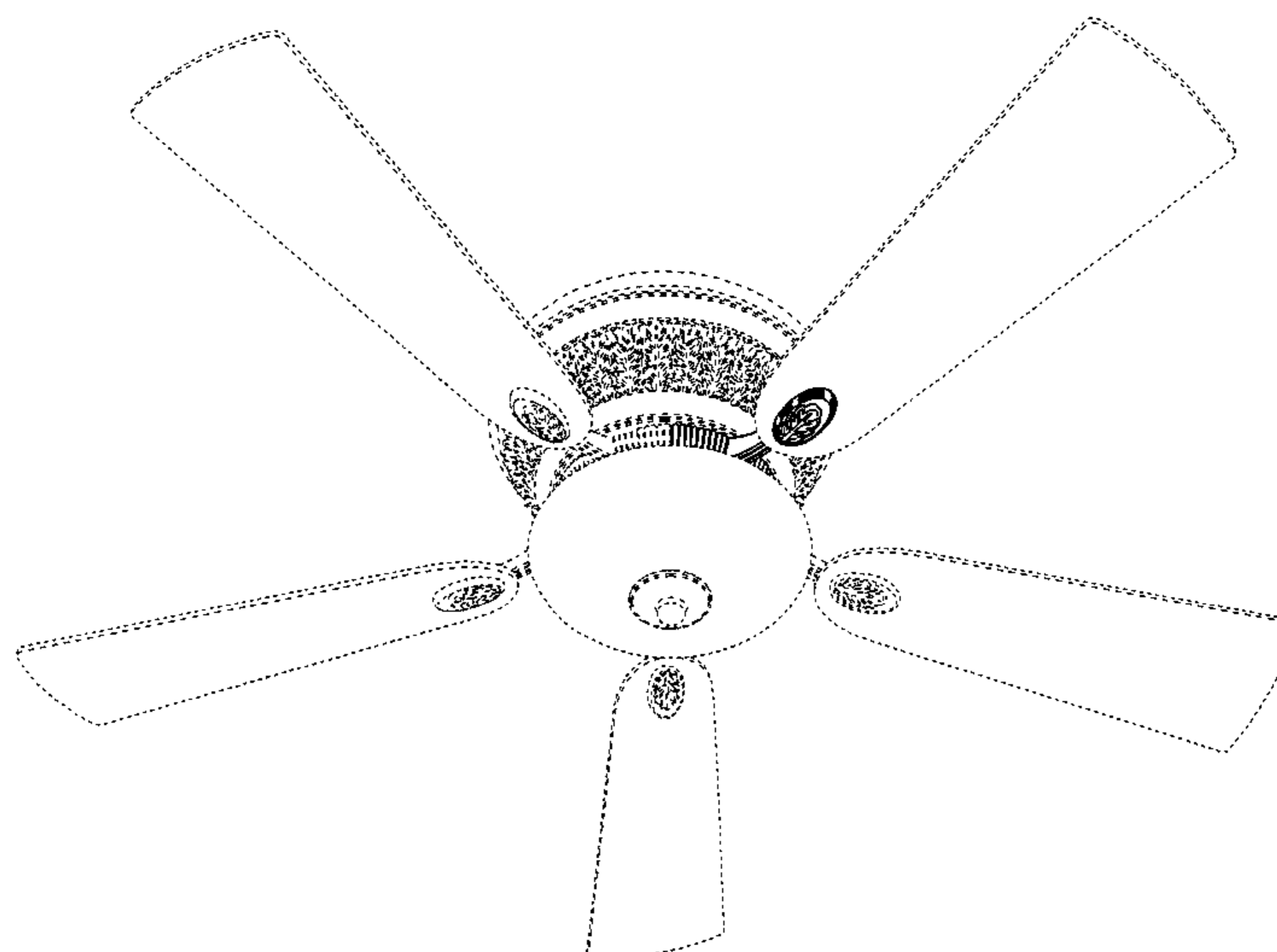
FIG. 4 is an enlarged top plan view of the ceiling fan blade iron in accordance with my design;

FIG. 5 is an enlarged side elevation view of the ceiling fan blade iron in accordance with my design; and,

FIG. 6 is an enlarged front elevation view of the ceiling fan blade iron in accordance with my design.

The broken lines showing environmental structure are for illustrative purposes and form no part of the claimed invention.

1 Claim, 3 Drawing Sheets



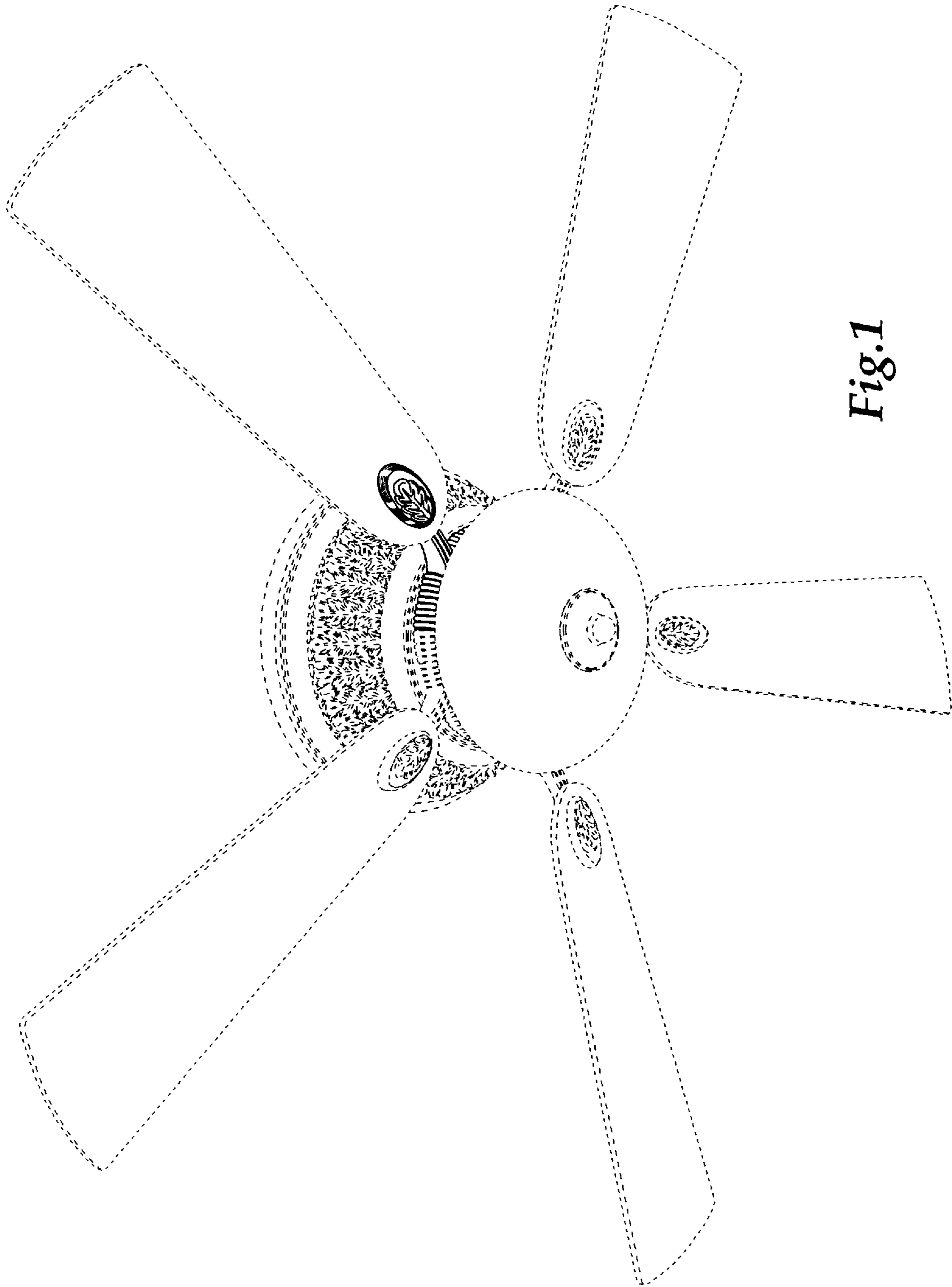
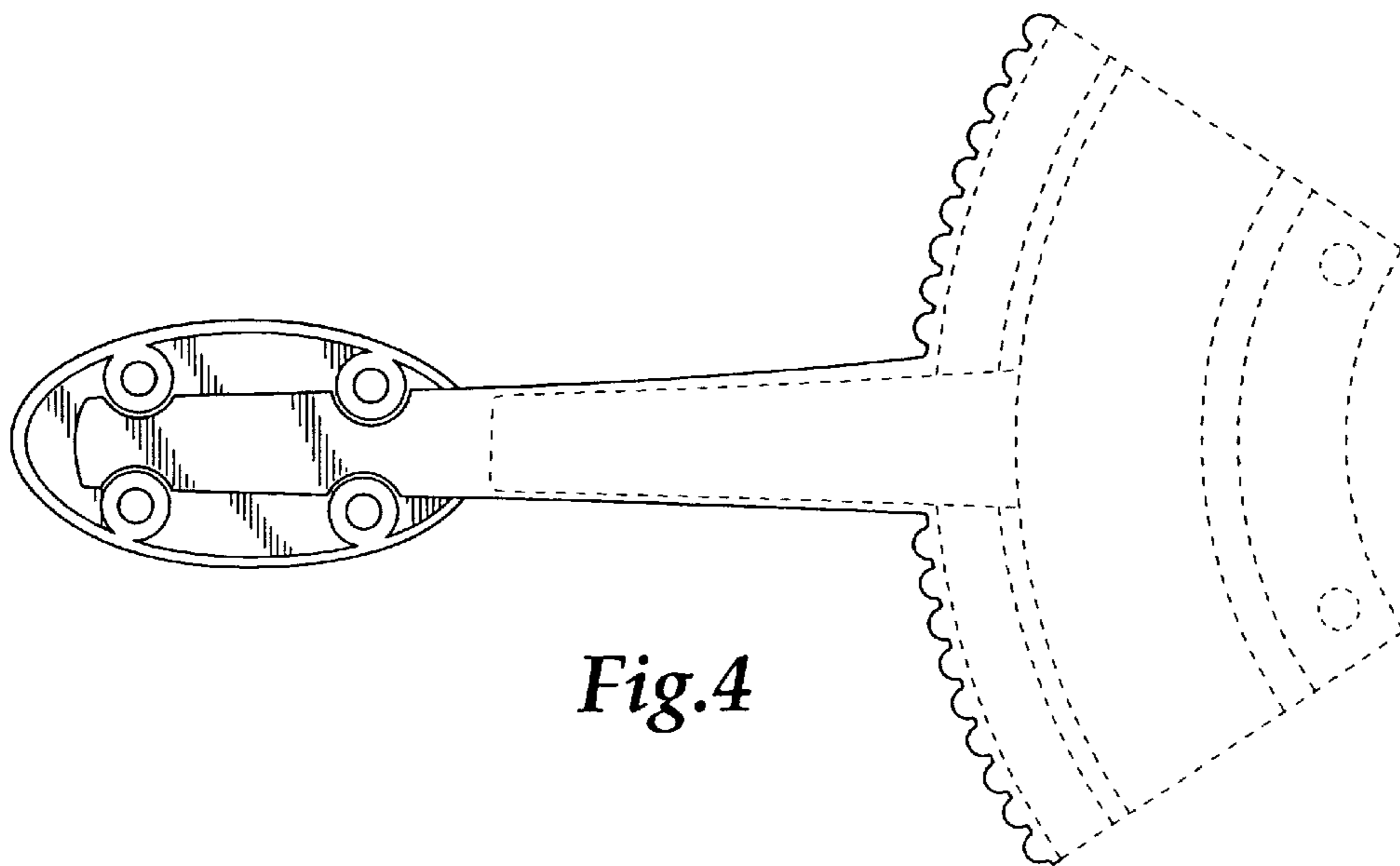
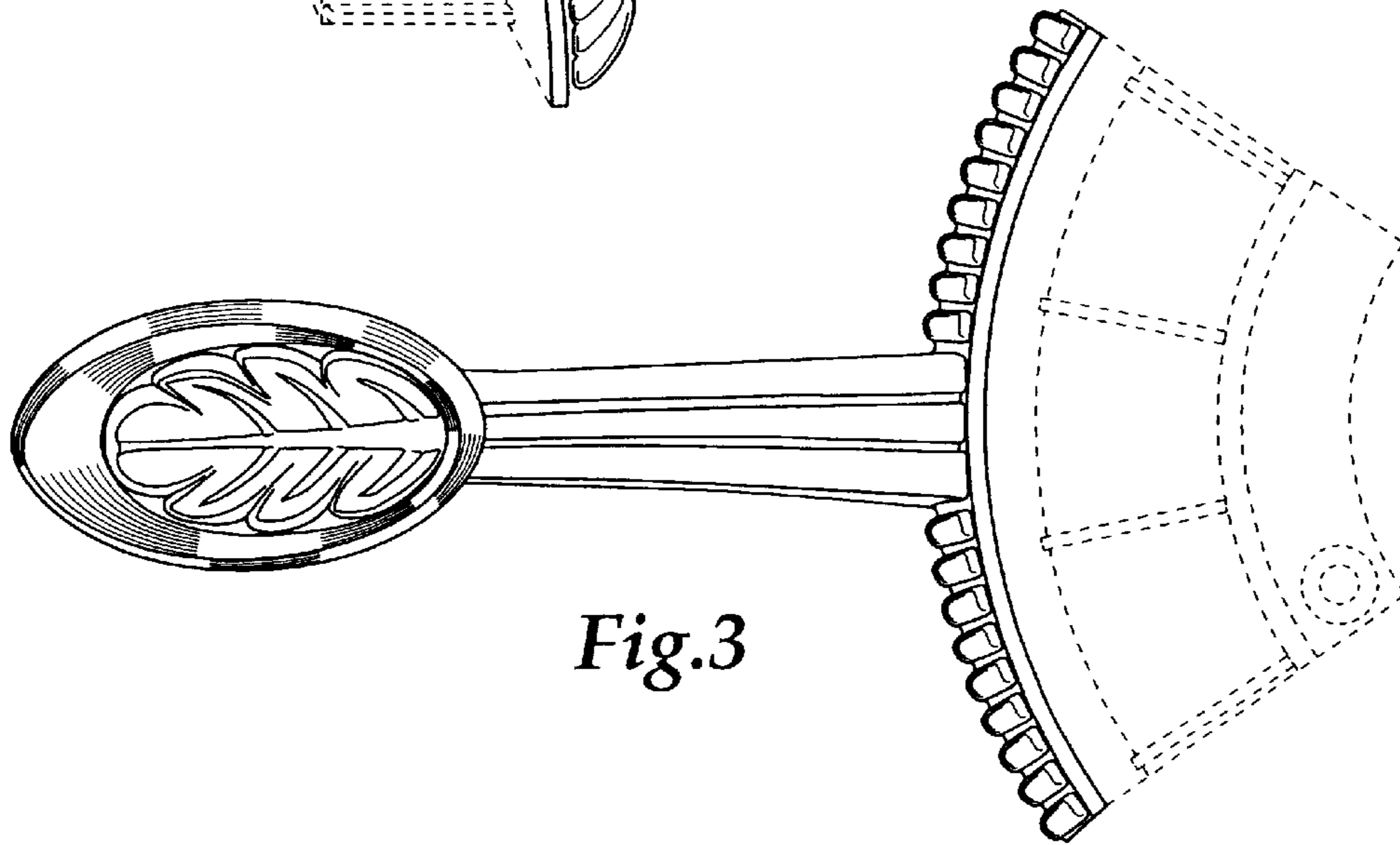
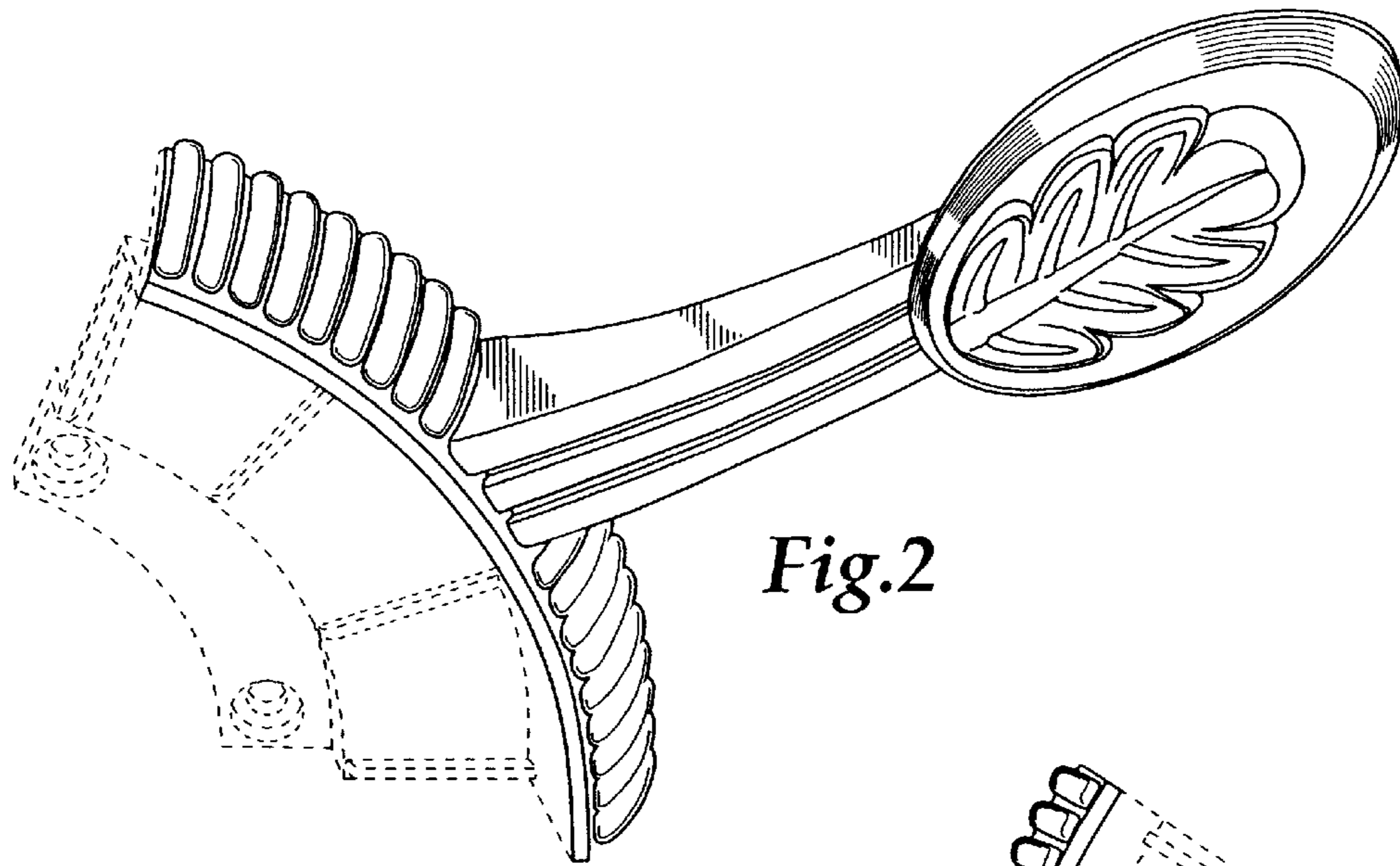


Fig. 1



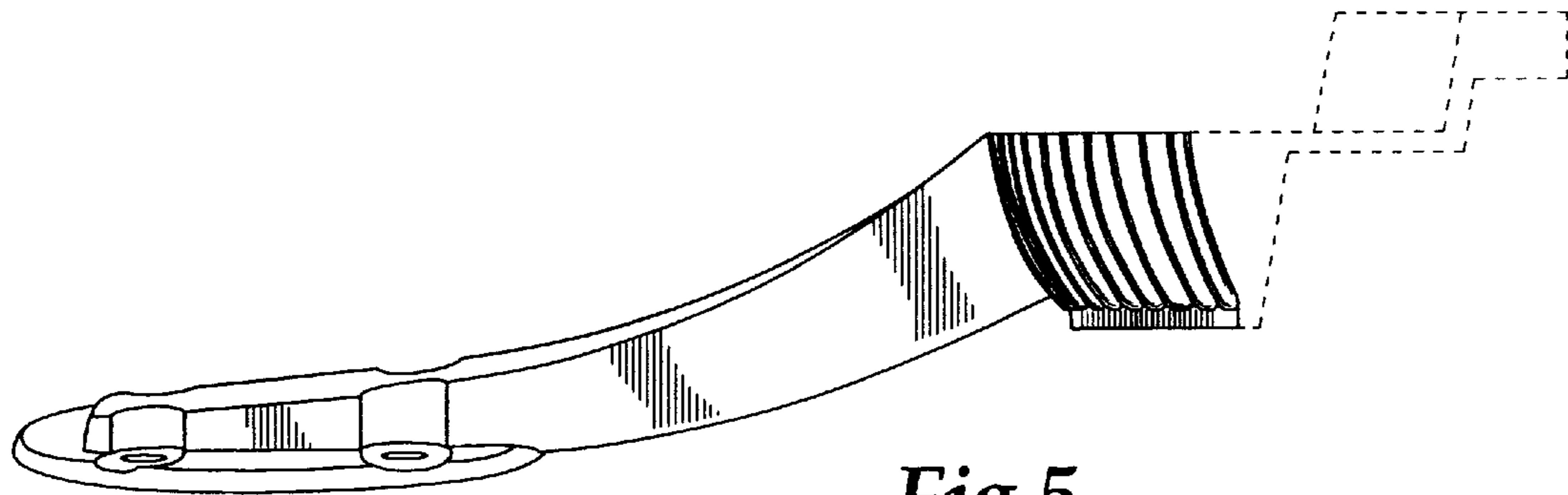


Fig.5

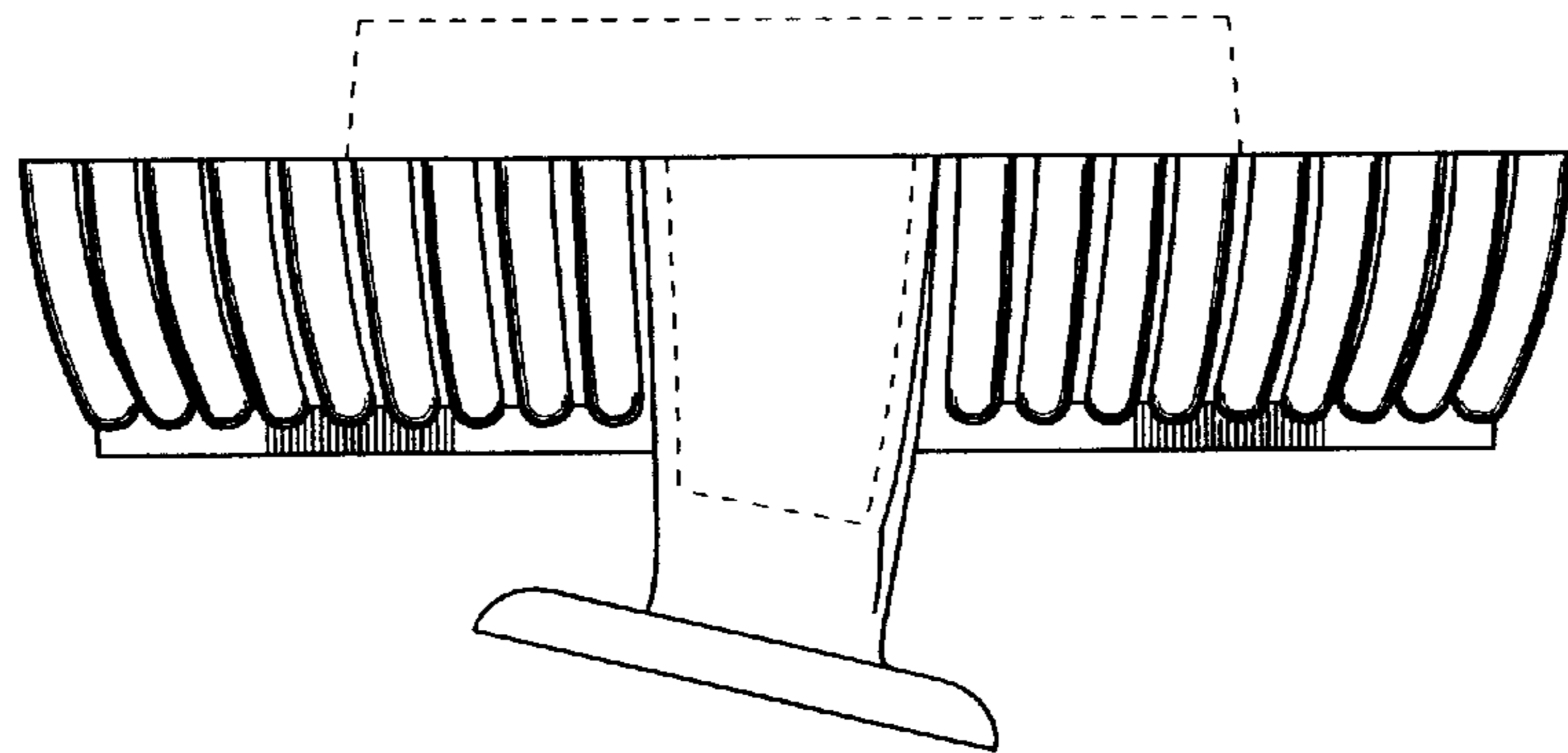


Fig.6