

US00D526711S

(12) **United States Design Patent**
Galeazzi et al.

(10) **Patent No.:** **US D526,711 S**

(45) **Date of Patent:** **** Aug. 15, 2006**

(54) **RANGE HOOD**

D460,547 S * 7/2002 Li D23/372
D516,695 S * 3/2006 Vetter D23/372

(75) Inventors: **Giuliano Galeazzi**, Varese (IT); **Paola Magnoni**, Varese (IT)

* cited by examiner

(73) Assignee: **BEST S.p.A.**, Fabriano (IT)

Primary Examiner—Lisa Lichtenstein

(**) Term: **14 Years**

(74) *Attorney, Agent, or Firm*—Levine & Mandelbaum

(21) Appl. No.: **29/220,470**

(57) **CLAIM**

(22) Filed: **Dec. 30, 2004**

The ornamental design for range hood, as shown and described.

(30) **Foreign Application Priority Data**

DESCRIPTION

Nov. 8, 2004 (EM) 000249081

(51) **LOC (8) Cl.** **23-04**

(52) **U.S. Cl.** **D23/372**

(58) **Field of Classification Search** D23/372;
126/299 R, 299 D

See application file for complete search history.

FIG. 1 is a perspective view from the front, right side, and top of a range hood showing our new design.

FIG. 2 is a front elevational view thereof.

FIG. 3 is a right side elevational view thereof, the left side elevational view being a mirror image thereof; and,

FIG. 4 is a bottom plan view thereof.

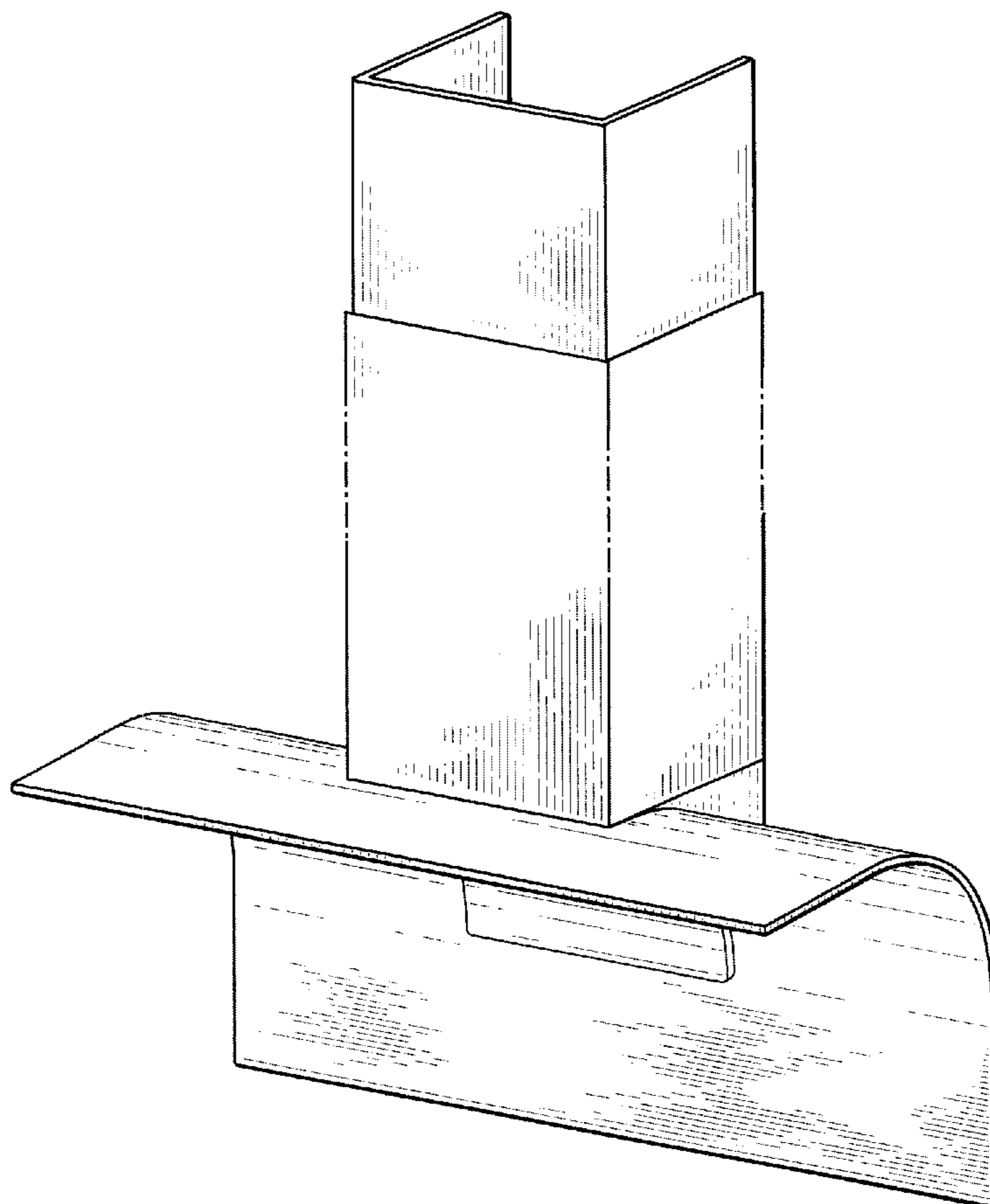
The sides not shown are disclaimed.

(56) **References Cited**

U.S. PATENT DOCUMENTS

D439,650 S * 3/2001 Wellnitz et al. D23/372

1 Claim, 4 Drawing Sheets



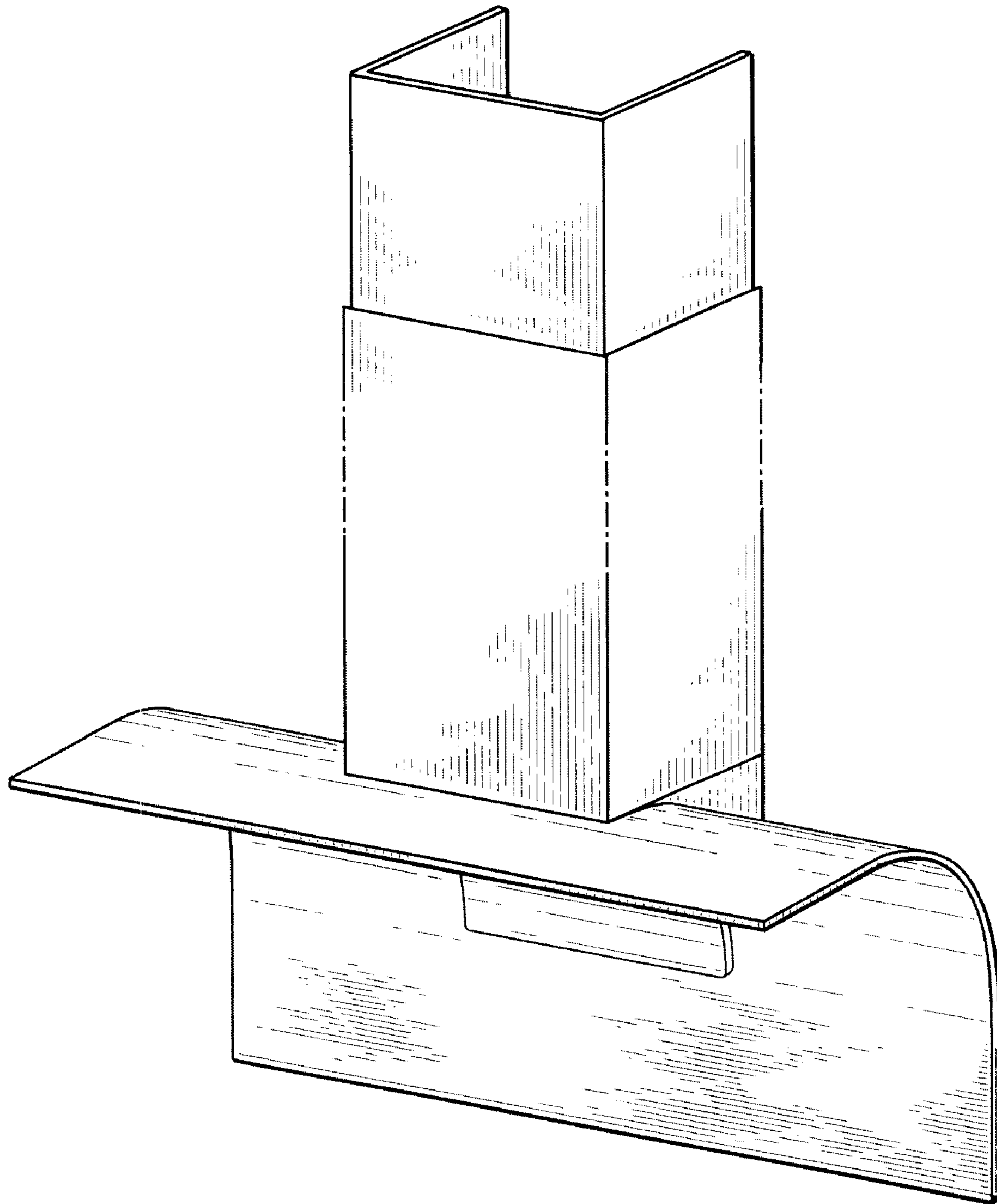


FIG. 1

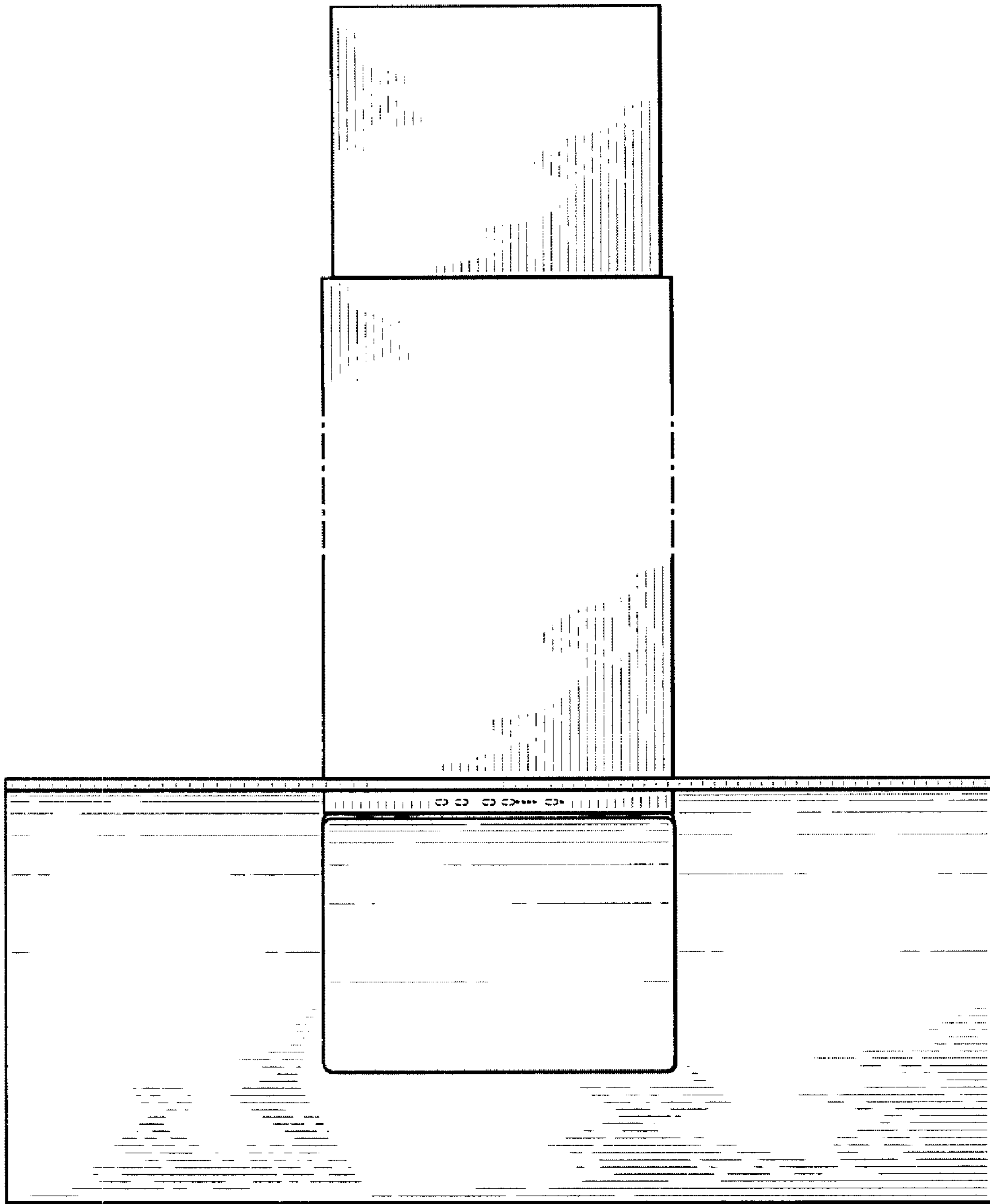


FIG. 2

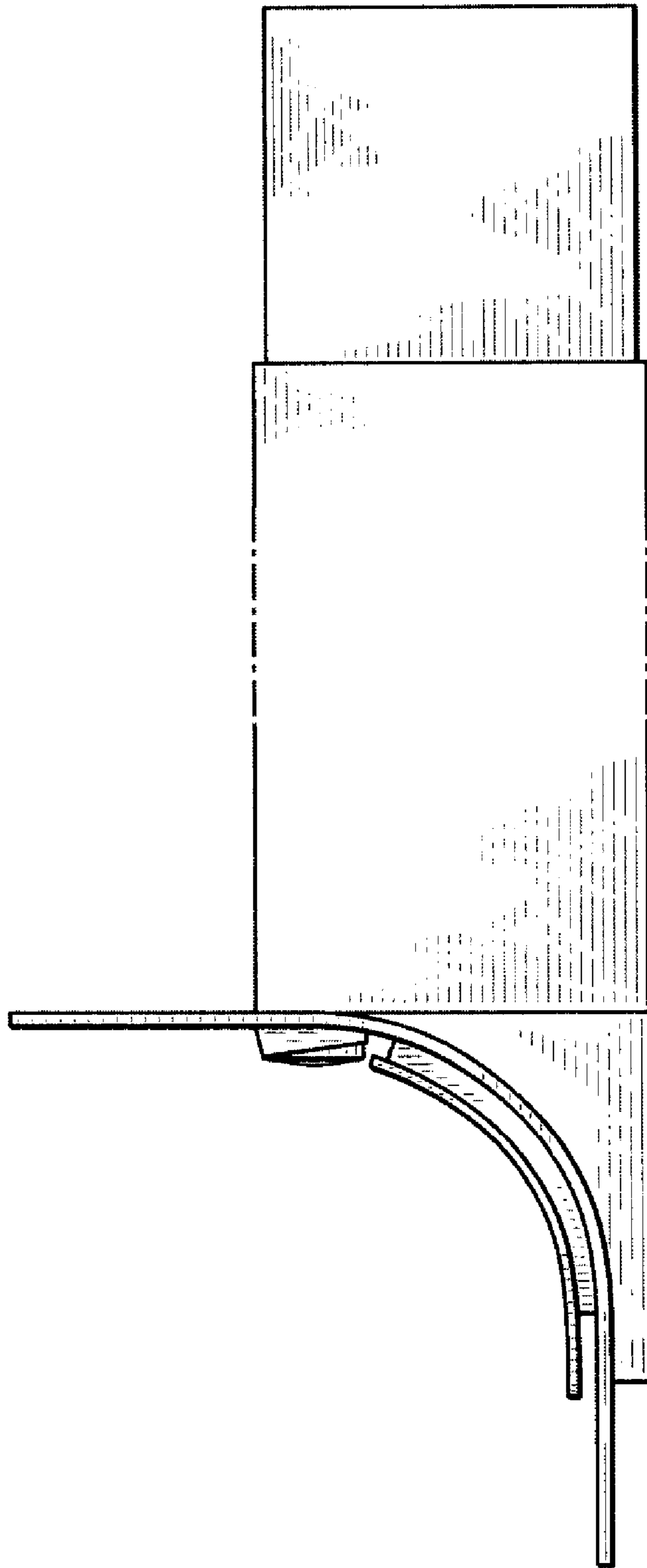


FIG. 3

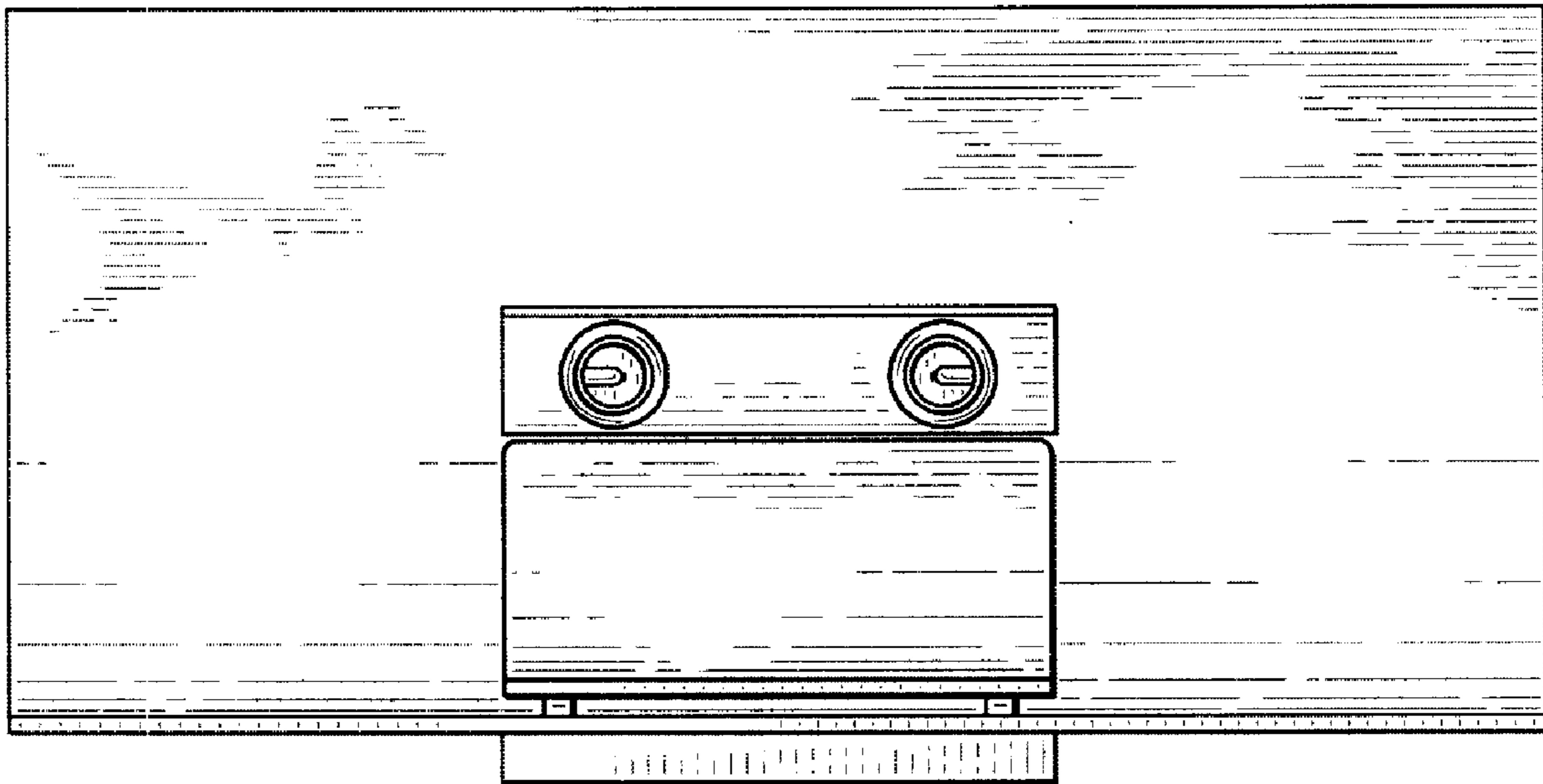


FIG. 4