

US00D526709S

(12) **United States Design Patent**
Engelen

(10) **Patent No.:** **US D526,709 S**

(45) **Date of Patent:** **** Aug. 15, 2006**

(54) **VAPORIZER**

D499,167 S * 11/2004 Sweeton D23/213
6,811,099 B1 * 11/2004 Krestine et al. 239/524
D513,861 S * 1/2006 Teteriatnikov D2/977

(75) Inventor: **Wim Engelen**, Vilvoorde (BE)

* cited by examiner

(73) Assignee: **Monsanto Europe S.A.**, Brussels (BE)

Primary Examiner—Robin Webster

(**) Term: **14 Years**

(74) *Attorney, Agent, or Firm*—Ladas & Parry LLP

(21) Appl. No.: **29/213,974**

(57) **CLAIM**

(22) Filed: **Sep. 24, 2004**

The ornamental design for a vaporizer, as shown and described.

(30) **Foreign Application Priority Data**

DESCRIPTION

Apr. 5, 2004 (EM) 158654

(51) **LOC (8) Cl.** **23-04**

FIG. 1 is a perspective view of the vaporizer showing my new design;

(52) **U.S. Cl.** **D23/360; D23/213**

FIG. 2 is left side view of thereof;

(58) **Field of Classification Search** D23/213,

FIG. 3 is a right side view thereof;

D23/223, 360, 356; D24/110; 239/525-7;

FIG. 4 is a front view thereof;

D28/7; 392/324, 333, 403

FIG. 5 is a rear view thereof;

See application file for complete search history.

FIG. 6 is a top view thereof; and,

FIG. 7 is a rear view thereof.

(56) **References Cited**

The broken line showing is for illustrative purposes only and forms no part of the claimed design.

U.S. PATENT DOCUMENTS

D437,978 S * 2/2001 Wilson et al. D28/91.1

D459,786 S * 7/2002 Sweeton D23/226

1 Claim, 5 Drawing Sheets

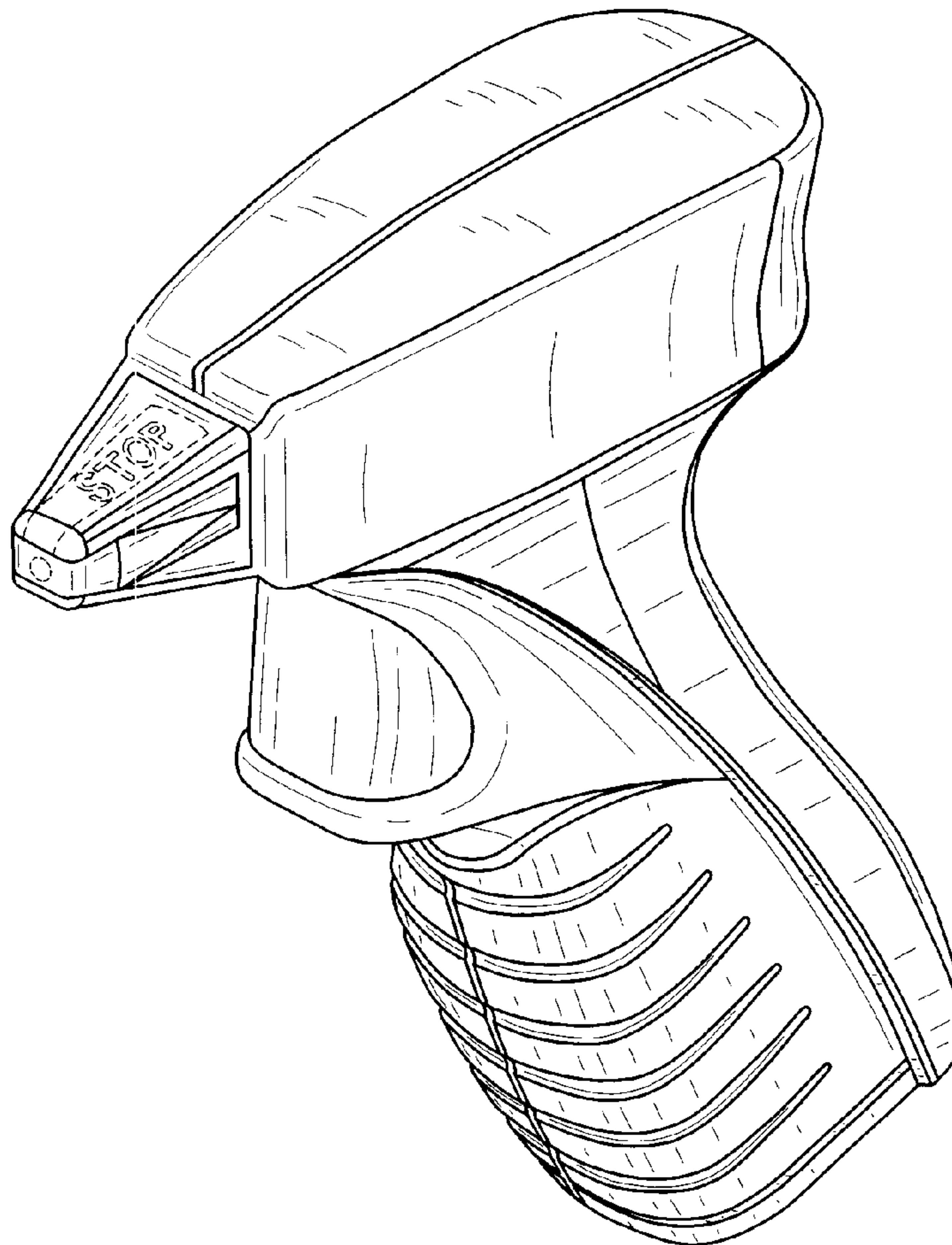


FIG. 1

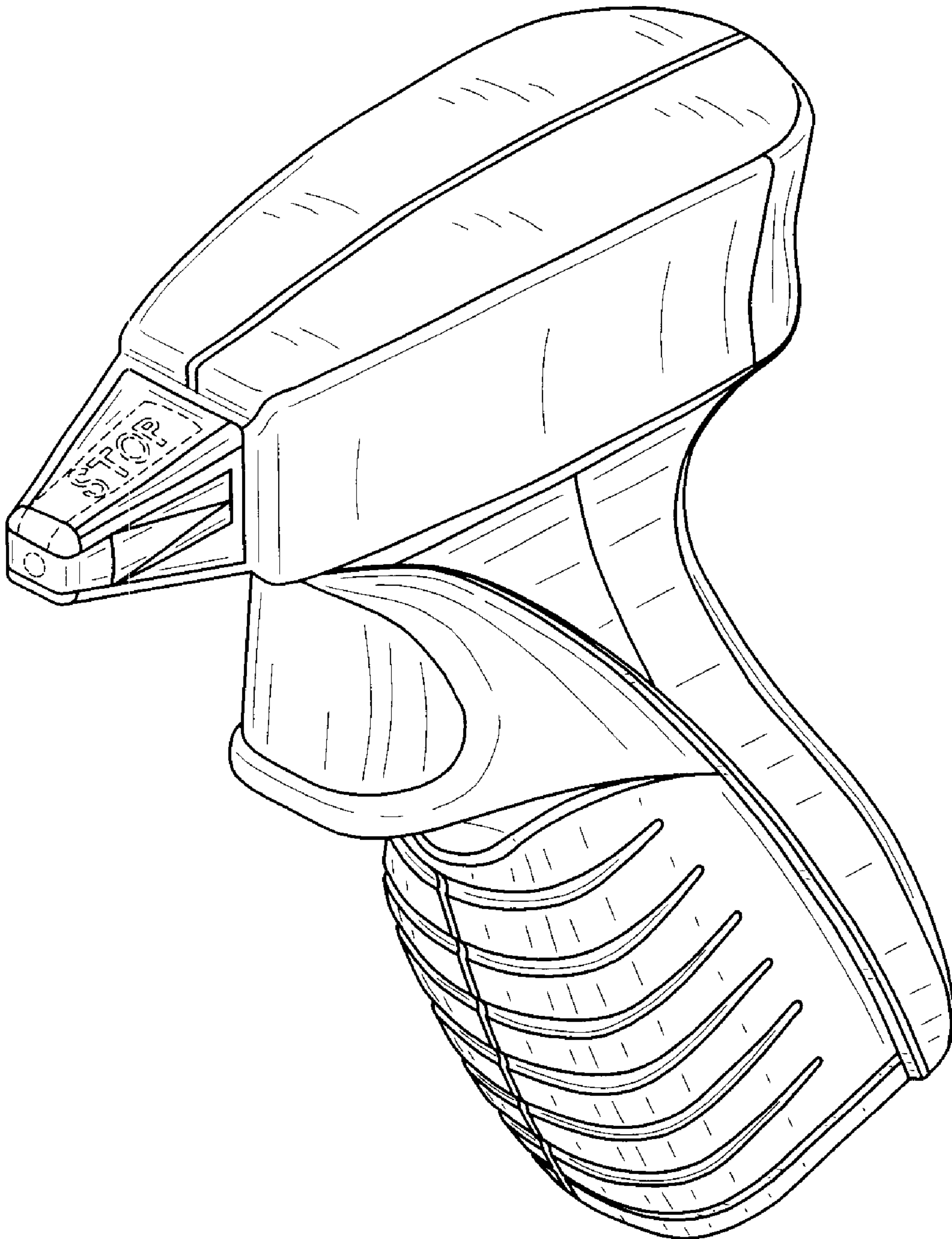


FIG. 2

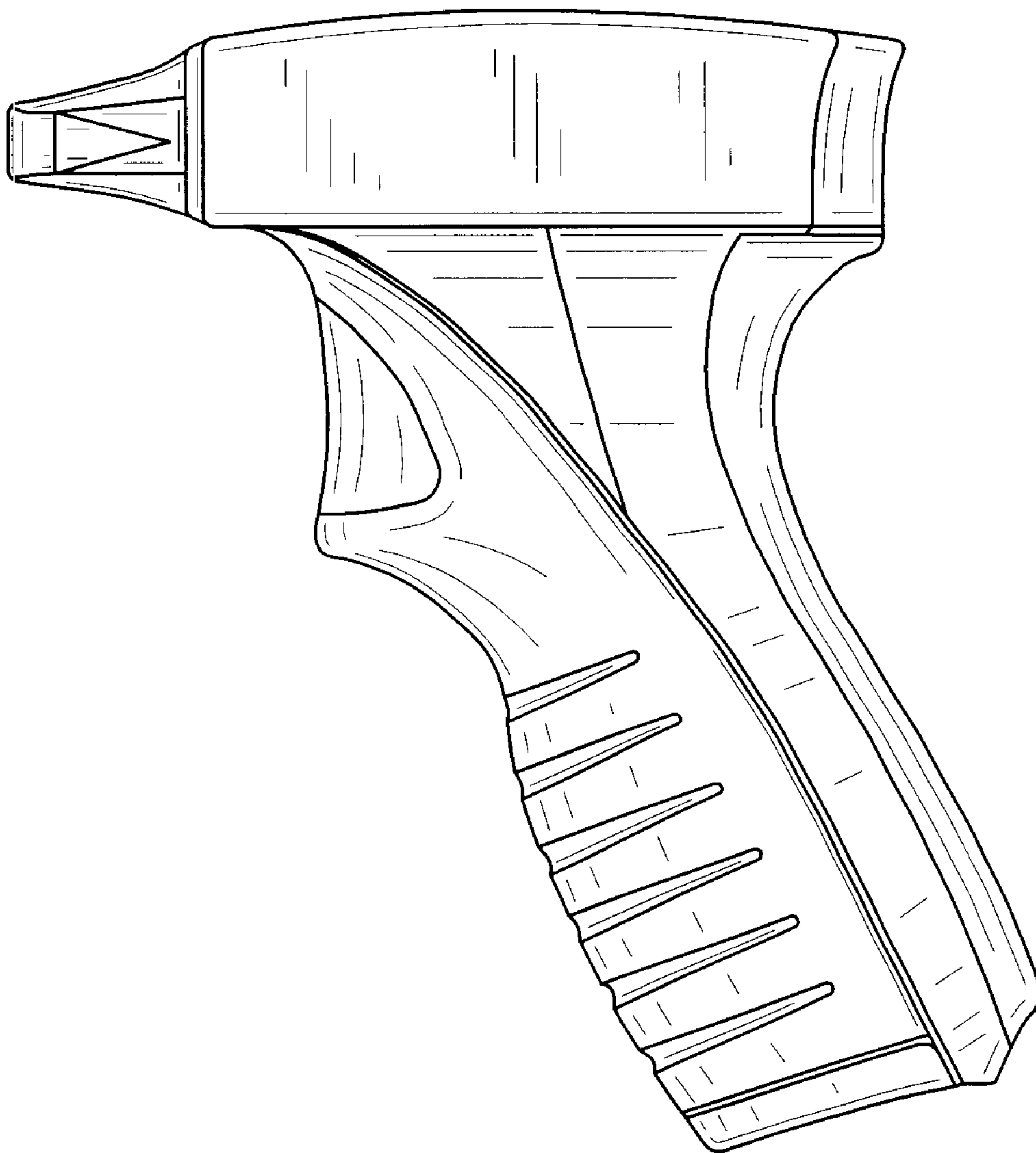


FIG. 3

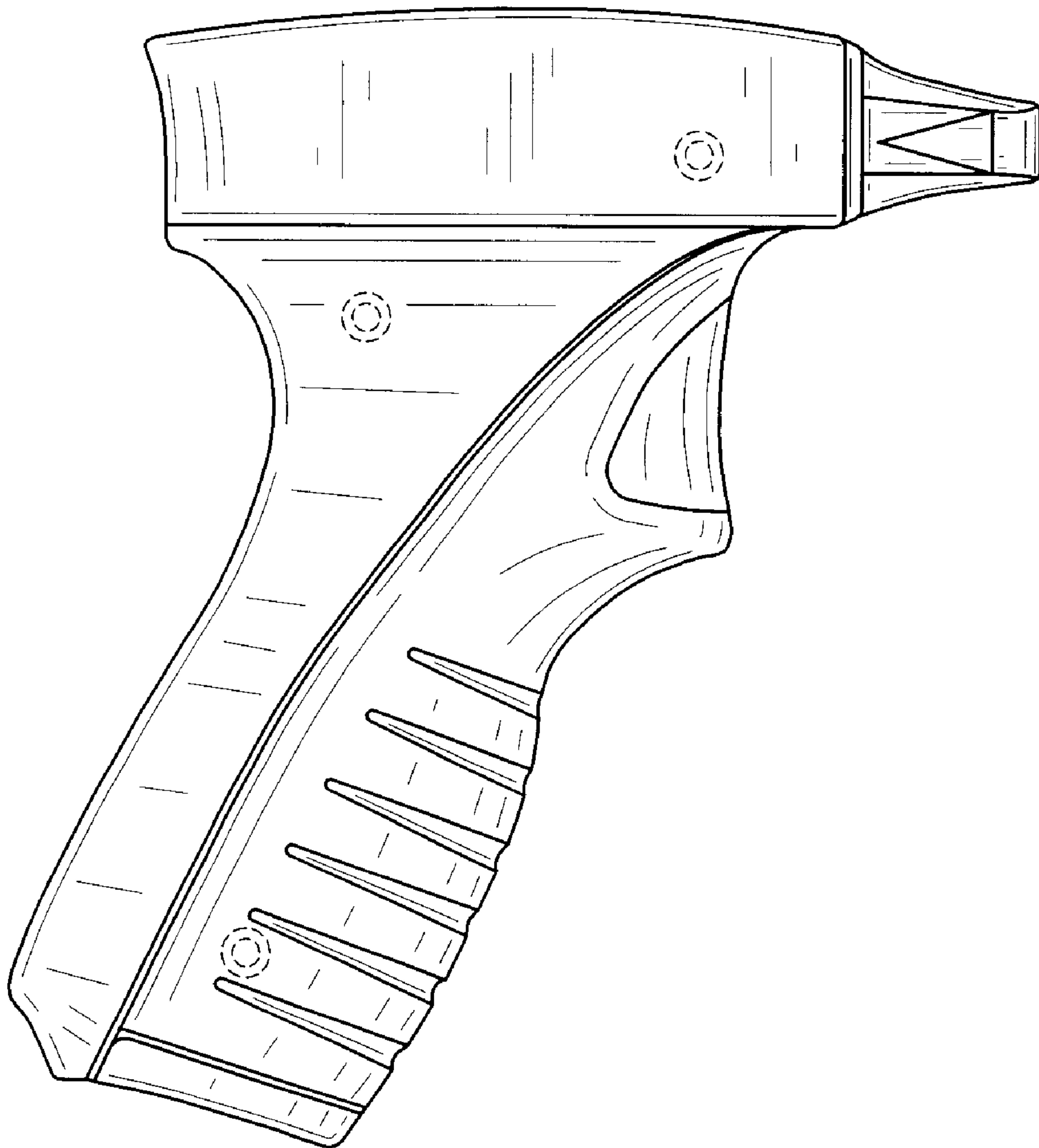


FIG. 4

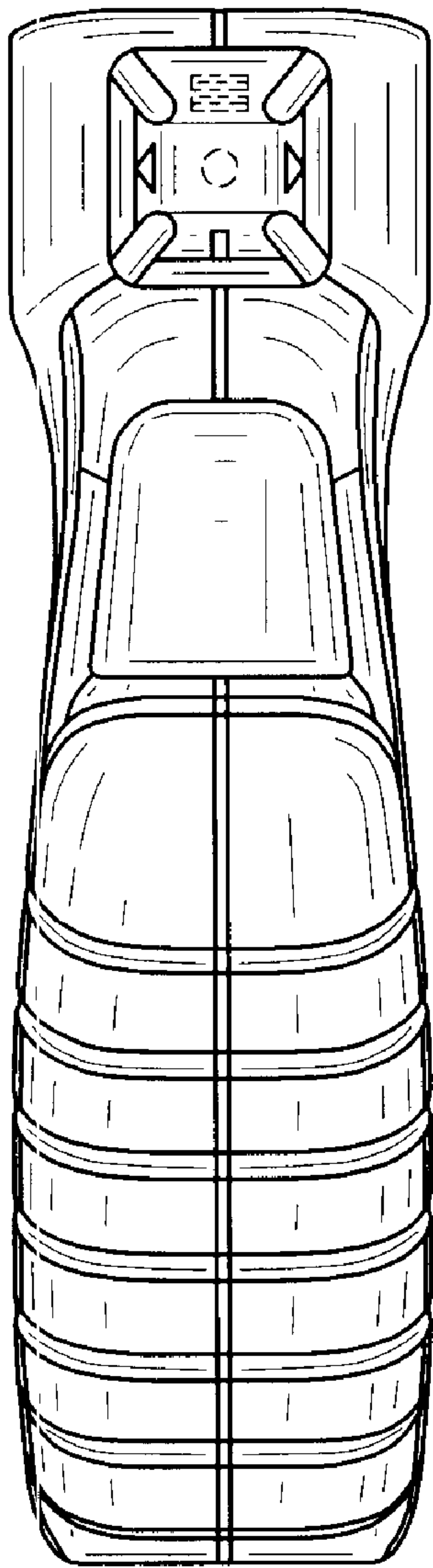


FIG. 5

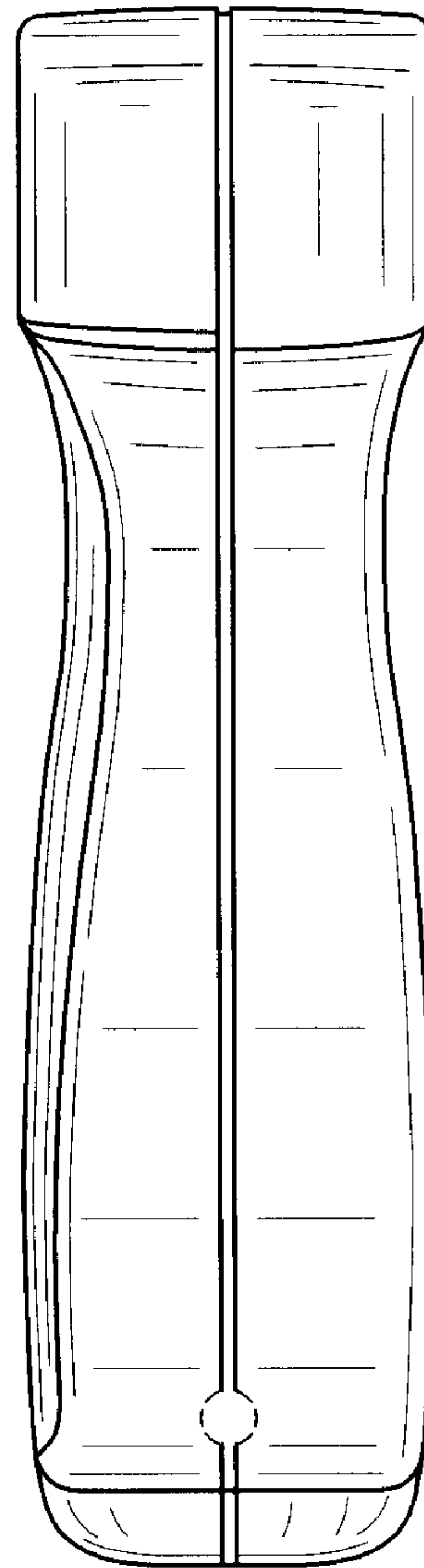


FIG. 6

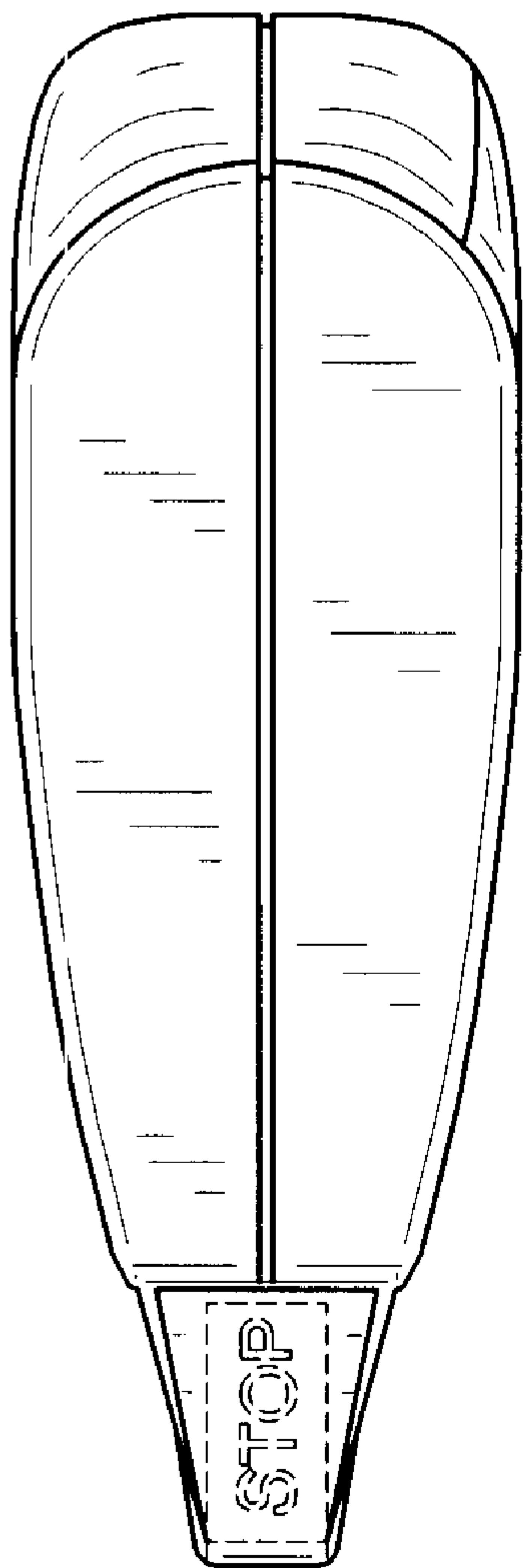


FIG. 7

