



US00D526699S

(12) **United States Design Patent** (10) **Patent No.:** **US D526,699 S**
Kulig (45) **Date of Patent:** **** Aug. 15, 2006**

(54) **FAUCET**

(75) Inventor: **Zbigniew Kulig**, Milwaukee, WI (US)

(73) Assignee: **Graff Faucets**, Milwaukee, WI (US)

(**) Term: **14 Years**

(21) Appl. No.: **29/220,248**

(22) Filed: **Dec. 28, 2004**

(51) **LOC (8) Cl.** **23-01**

(52) **U.S. Cl.** **D23/238**

(58) **Field of Classification Search** D23/238-257;
4/675-678; 137/801

See application file for complete search history.

(56) **References Cited**

U.S. PATENT DOCUMENTS

D300,942 S	*	5/1989	Paul	D23/242
5,215,216 A	*	6/1993	Van Marcke	222/1
D421,486 S	*	3/2000	Slothower et al.	D23/255
D441,060 S	*	4/2001	Lefroy-Brooks	D23/255
D466,200 S		11/2002	Sieger		
D467,307 S	*	12/2002	Sieger	D23/242
D479,583 S	*	9/2003	Citterio	D23/242

OTHER PUBLICATIONS

Kulig, et al., U.S. Appl. No. 29/200,364, filed Feb. 26, 2004, entitled *Faucet*.

Kulig, U.S. Appl. No. 29/200,423, filed Feb. 26, 2004, entitled *Faucet*.

* cited by examiner

Primary Examiner—Louis S. Zarfaz

Assistant Examiner—G. Andoll

(74) *Attorney, Agent, or Firm*—Boyle Fredrickson Newholm Stein & Gratz S.C.

(57) **CLAIM**

The ornamental design for a faucet, as shown and described.

DESCRIPTION

FIG. 1 is perspective view of a faucet incorporating my new design, viewed from in front of, above, and from the right side of the faucet;

FIG. 2 is a front elevation view thereof;

FIG. 3 is a rear elevation view thereof;

FIG. 4 is a top plan view thereof;

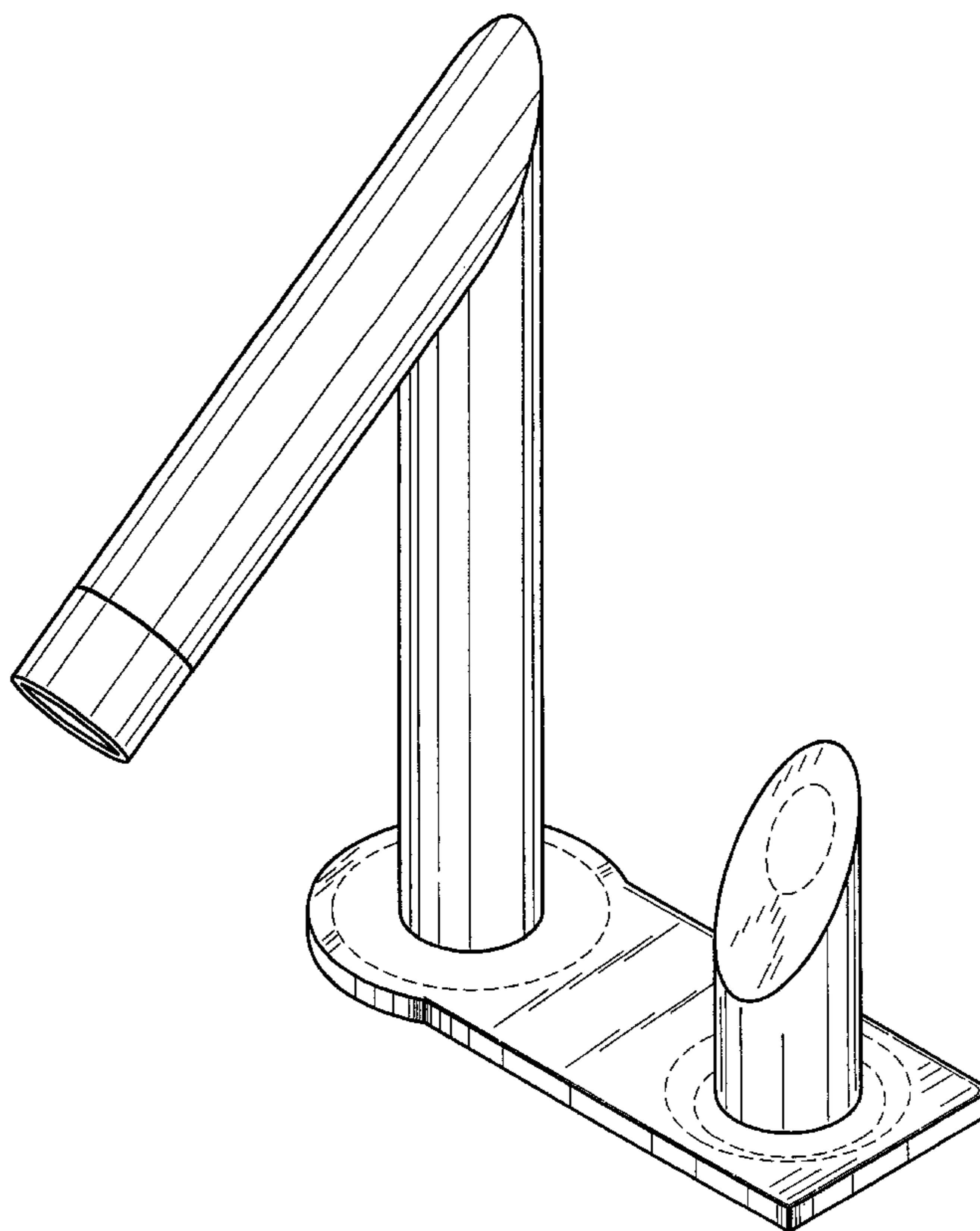
FIG. 5 is a bottom plan view thereof;

FIG. 6 is a left-side elevation view thereof; and,

FIG. 7 is a right-side elevation view thereof.

The broken lines in FIGS. 1, 2, 4, and 5 are for illustrative purposes only and form no part of the claimed design.

1 Claim, 7 Drawing Sheets



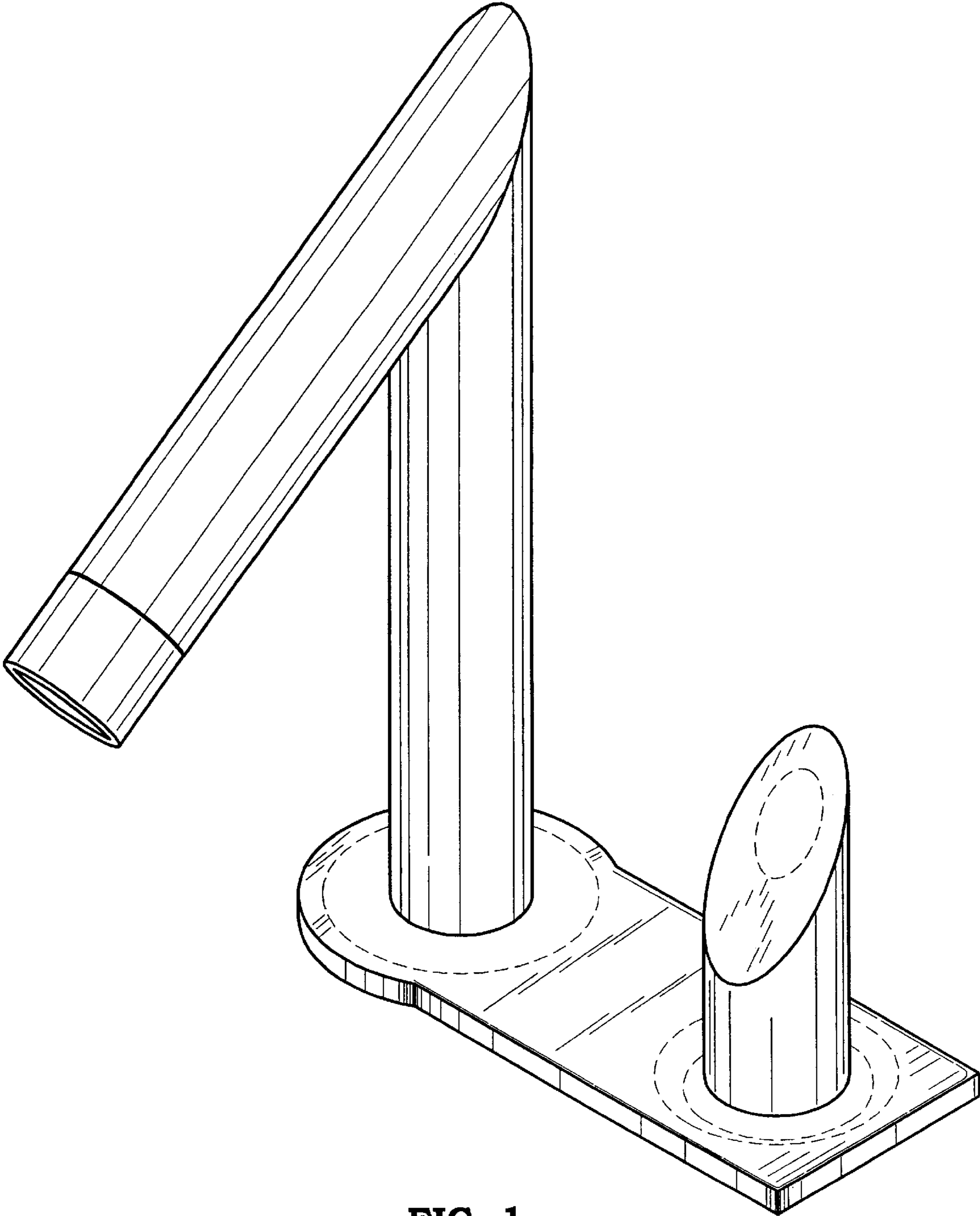


FIG. 1

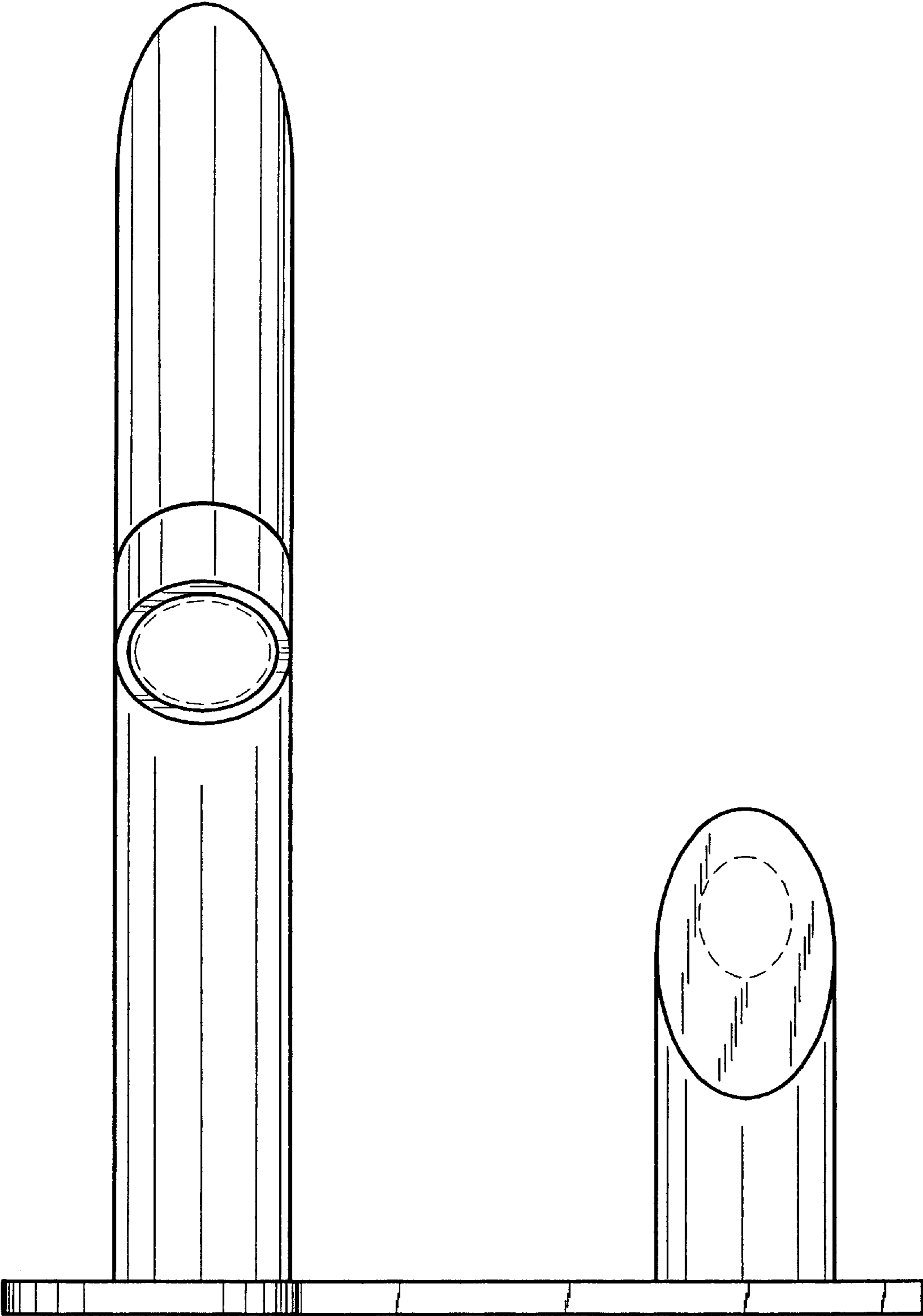


FIG. 2

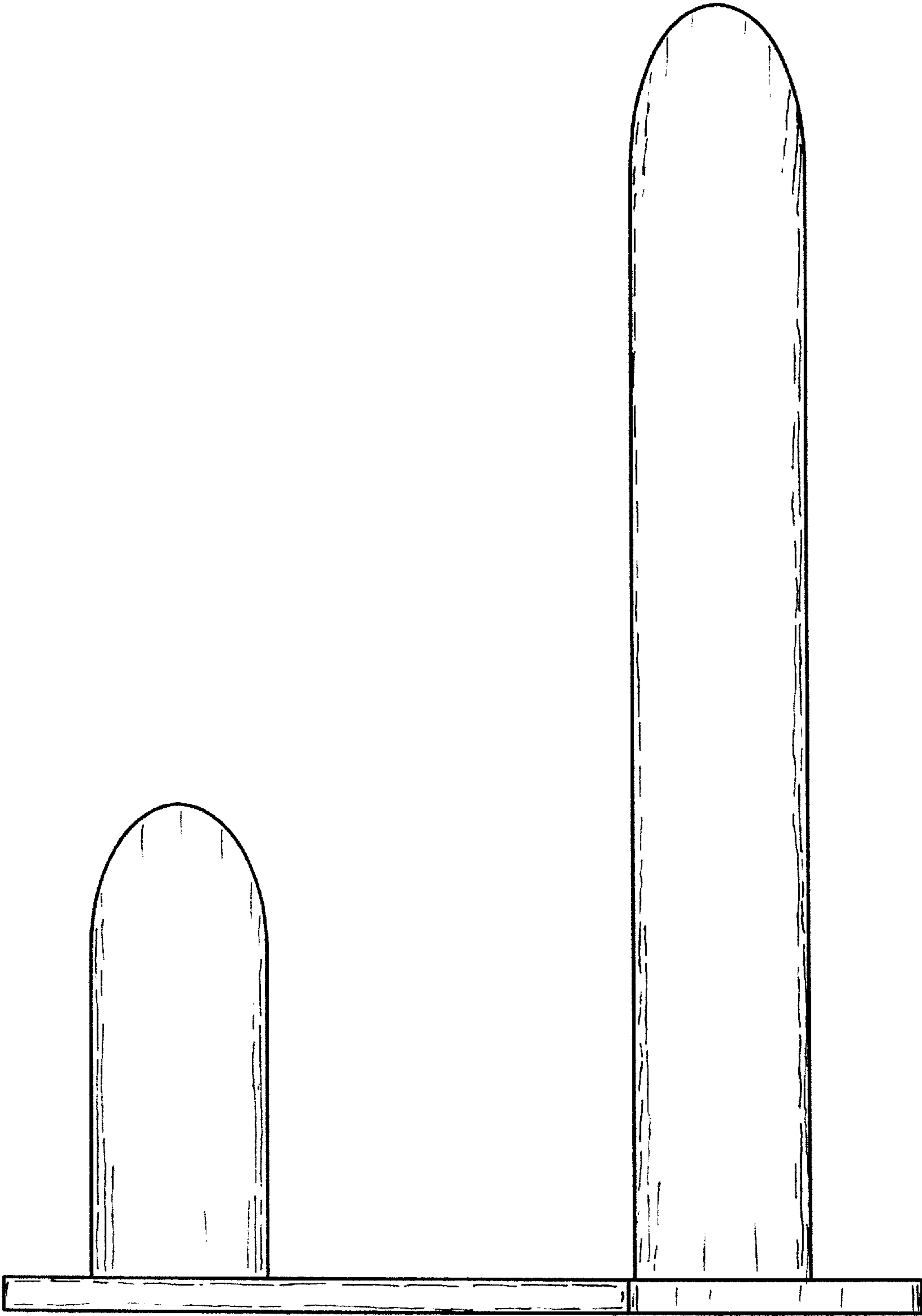


FIG. 3

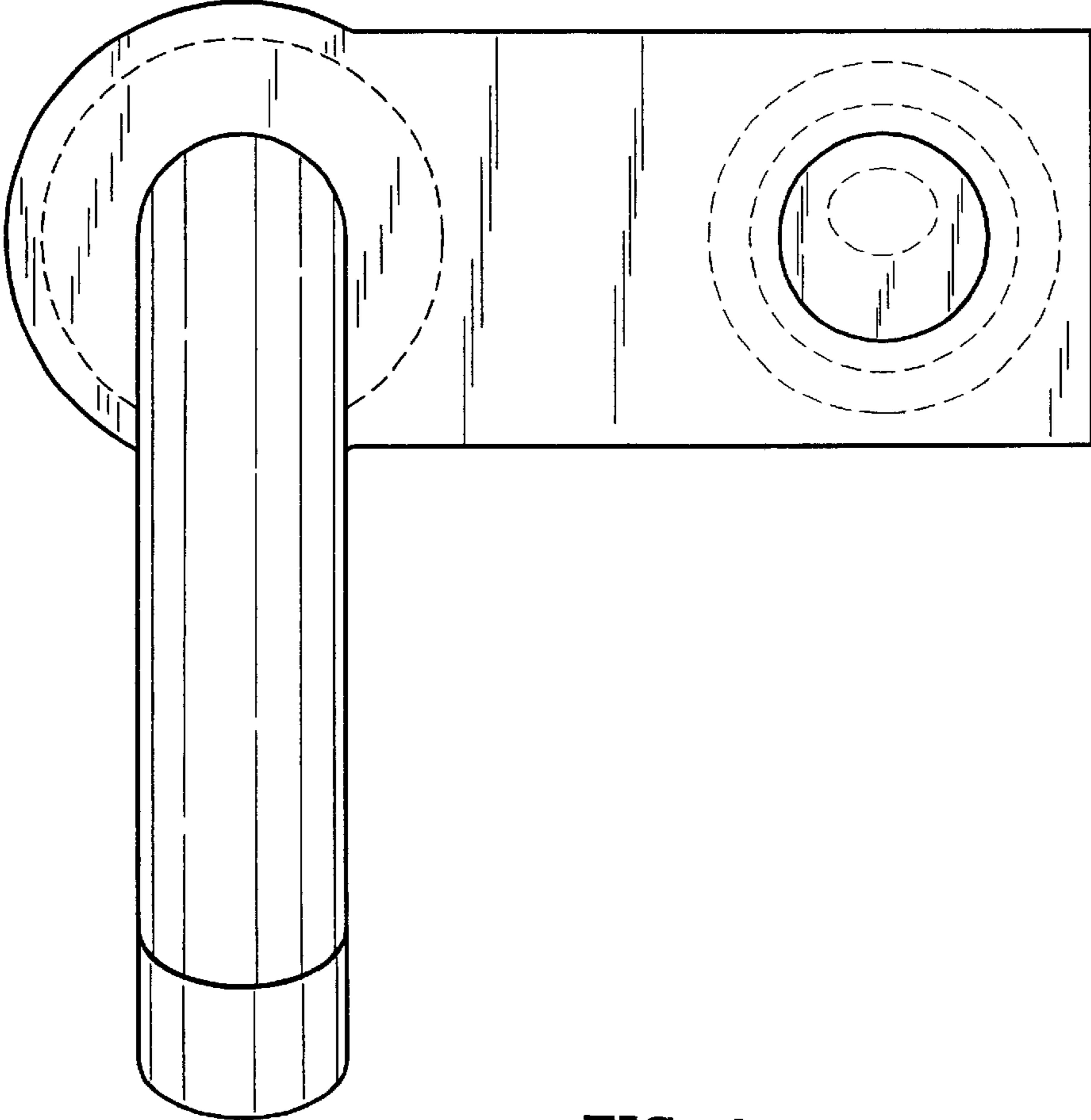


FIG. 4

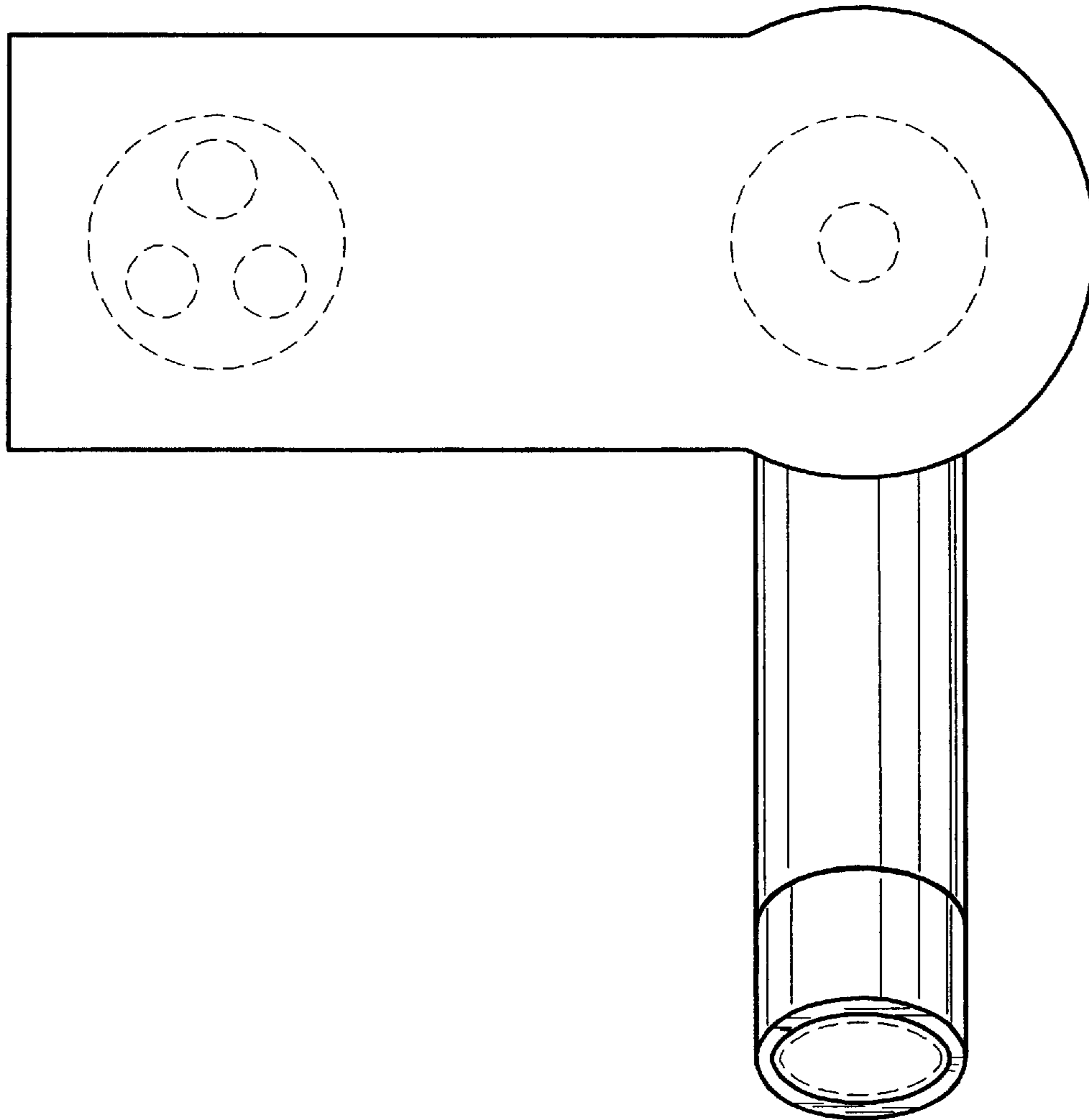


FIG. 5

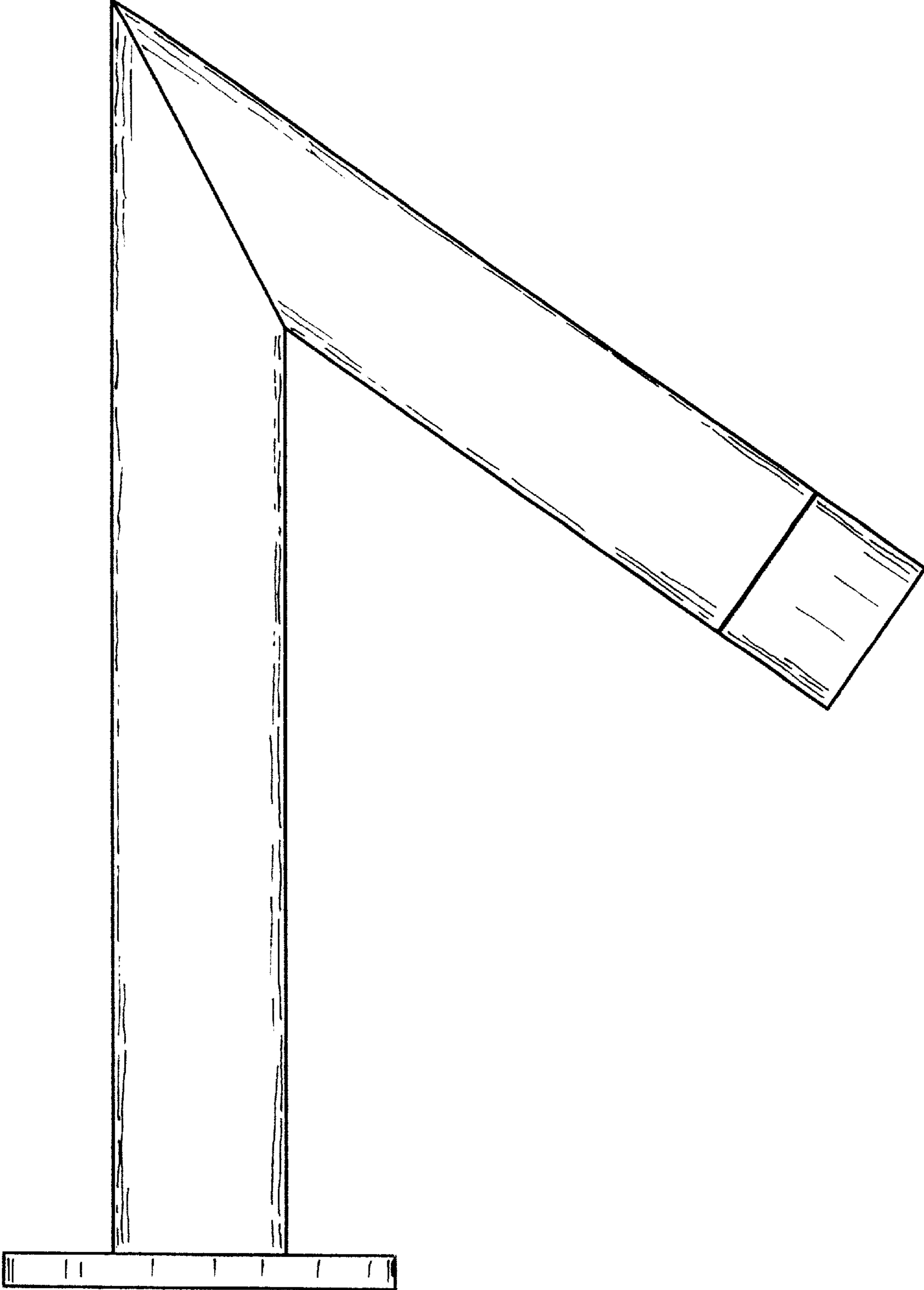


FIG. 6

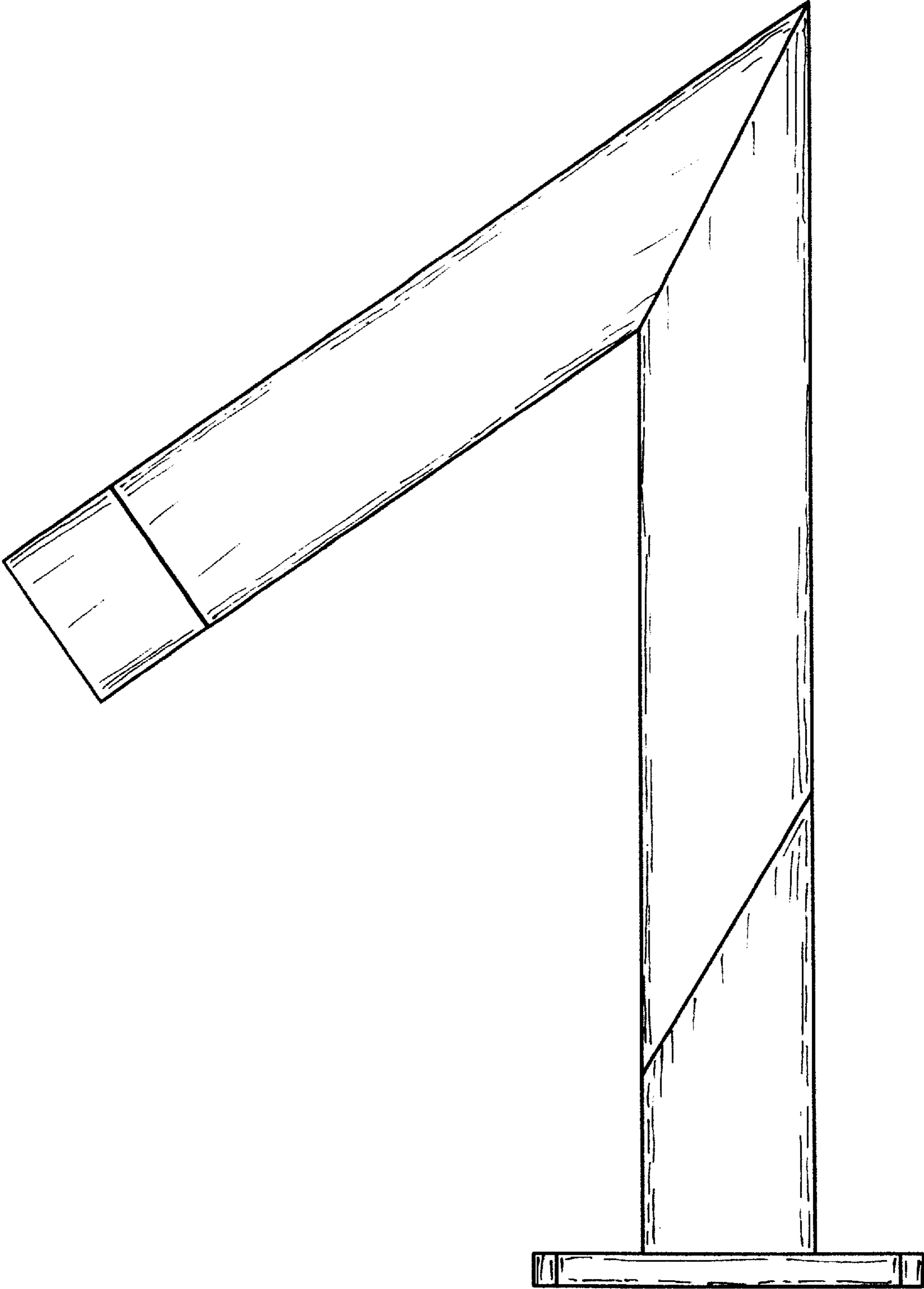


FIG. 7