

US00D526697S

(12) **United States Design Patent**  
**Meroney**

(10) **Patent No.:** **US D526,697 S**

(45) **Date of Patent:** **\*\* Aug. 15, 2006**

(54) **SIMULATED SALAMANDER FISHING LURE**

(76) **Inventor:** **Robert L. Meroney**, 191 VZCR 1826,  
Grand Saline, TX (US) 75140

(\*\*) **Term:** **14 Years**

(21) **Appl. No.:** **29/234,601**

(22) **Filed:** **Jul. 20, 2005**

(51) **LOC (8) Cl.** ..... **22-05**

(52) **U.S. Cl.** ..... **D22/132**

(58) **Field of Classification Search** ..... D22/126-133;  
43/42.24, 42.26, 42.3, 42.32, 42.39, 42.45,  
43/42.48, 42.34  
See application file for complete search history.

(56) **References Cited**

**U.S. PATENT DOCUMENTS**

D424,654 S \* 5/2000 Canales ..... D22/132  
D441,418 S \* 5/2001 Ricord ..... D22/132

D498,509 S \* 11/2004 Toscano, Jr. .... D22/132  
2003/0066231 A1 \* 4/2003 Ollis et al. .... 43/42.24

\* cited by examiner

*Primary Examiner*—Catherine R. Oliver

(74) *Attorney, Agent, or Firm*—Law Office of Steven B. Leavitt

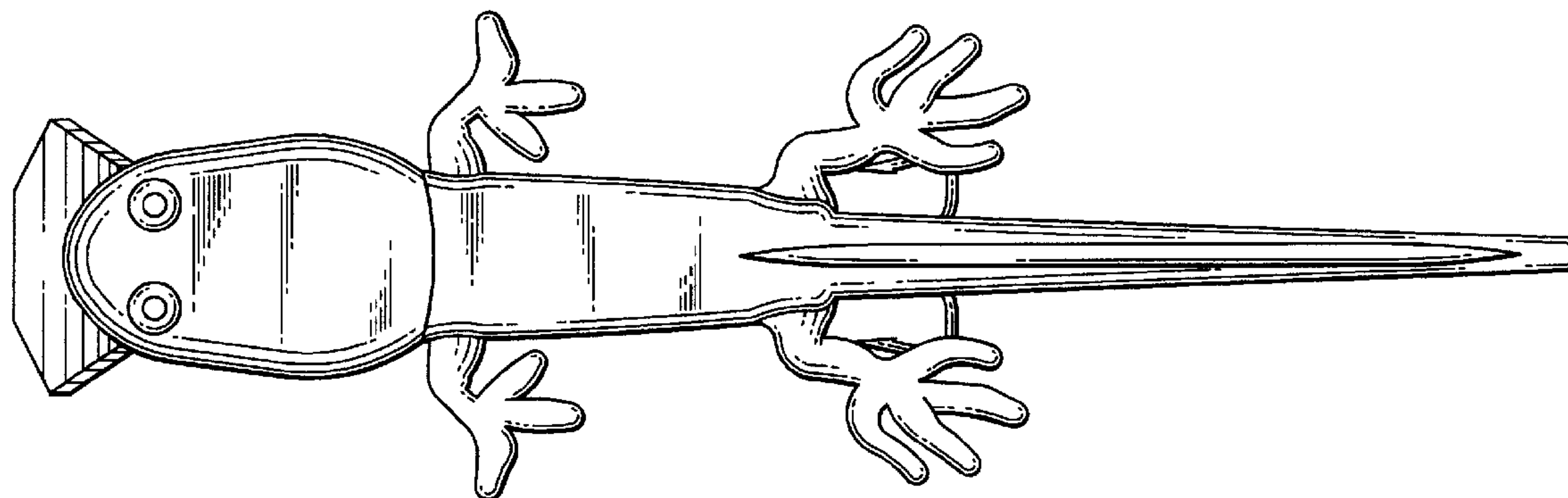
(57) **CLAIM**

The ornamental design for a simulated salamander fishing lure, as shown and described.

**DESCRIPTION**

FIG. 1 is a top plan view of the fishing lure of the present invention;  
FIG. 2 is a front elevational view of the fishing lure of the present invention;  
FIG. 3 is a side elevational view of the fishing lure of the present invention;  
FIG. 4 is a rear elevational view of the fishing lure of the present invention; and,  
FIG. 5 is a bottom plan view of the fishing lure of the present invention.

**1 Claim, 2 Drawing Sheets**



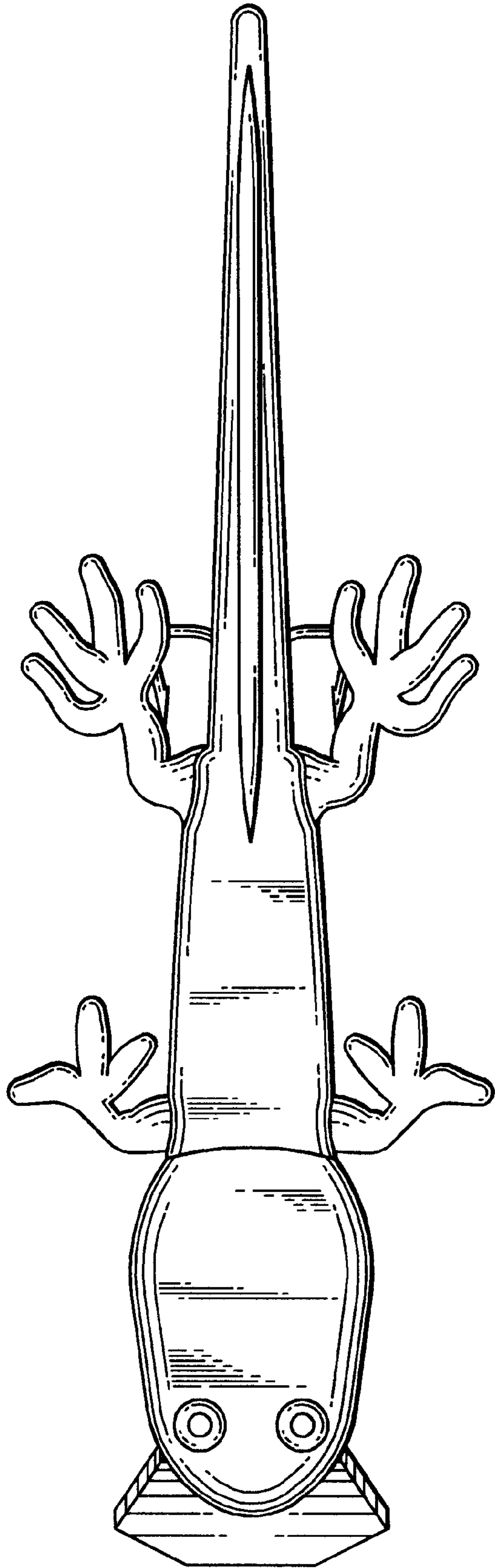


Fig. 1

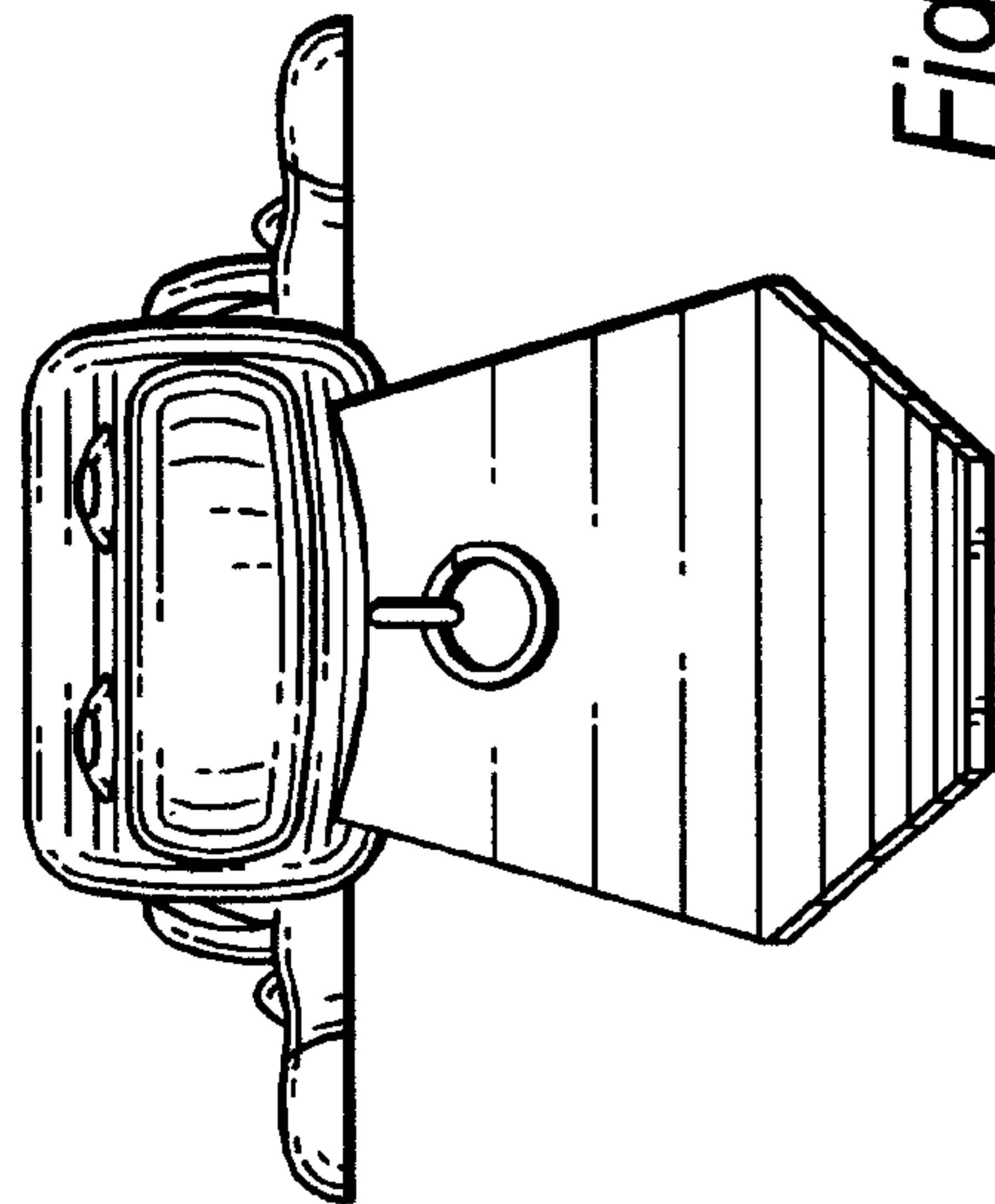


Fig. 2

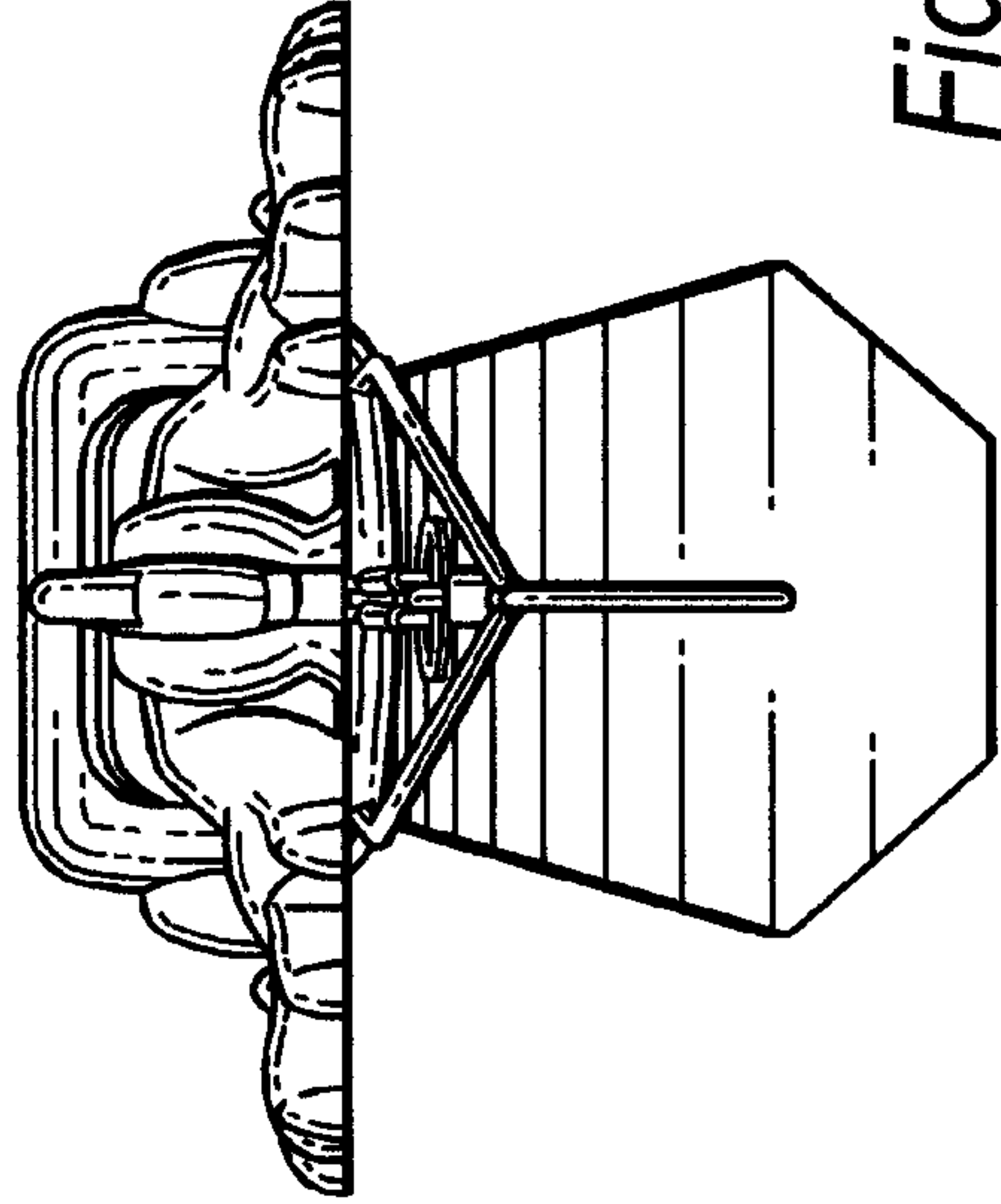


Fig. 4

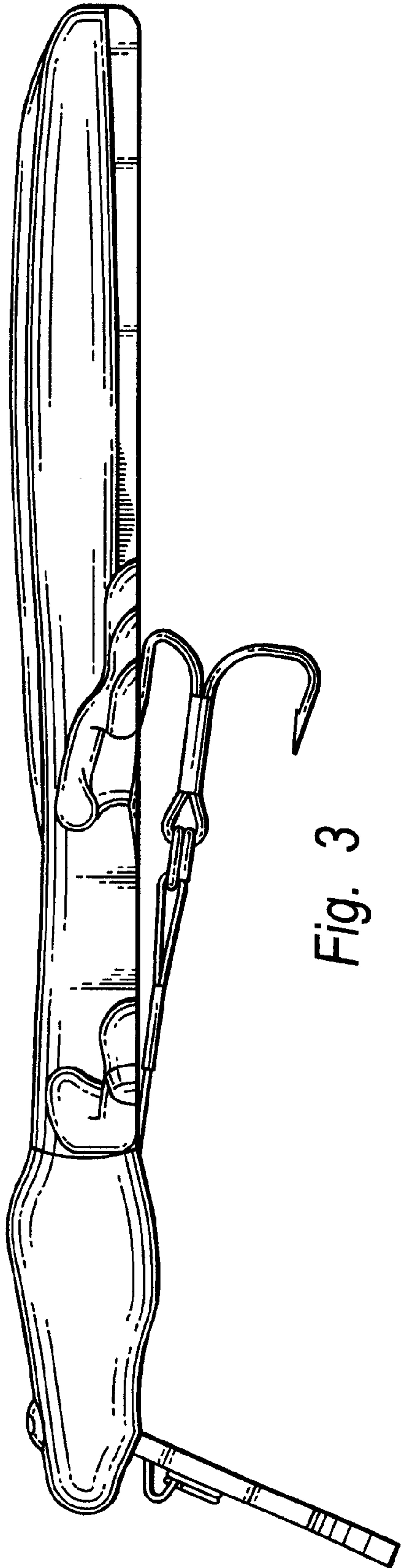


Fig. 3

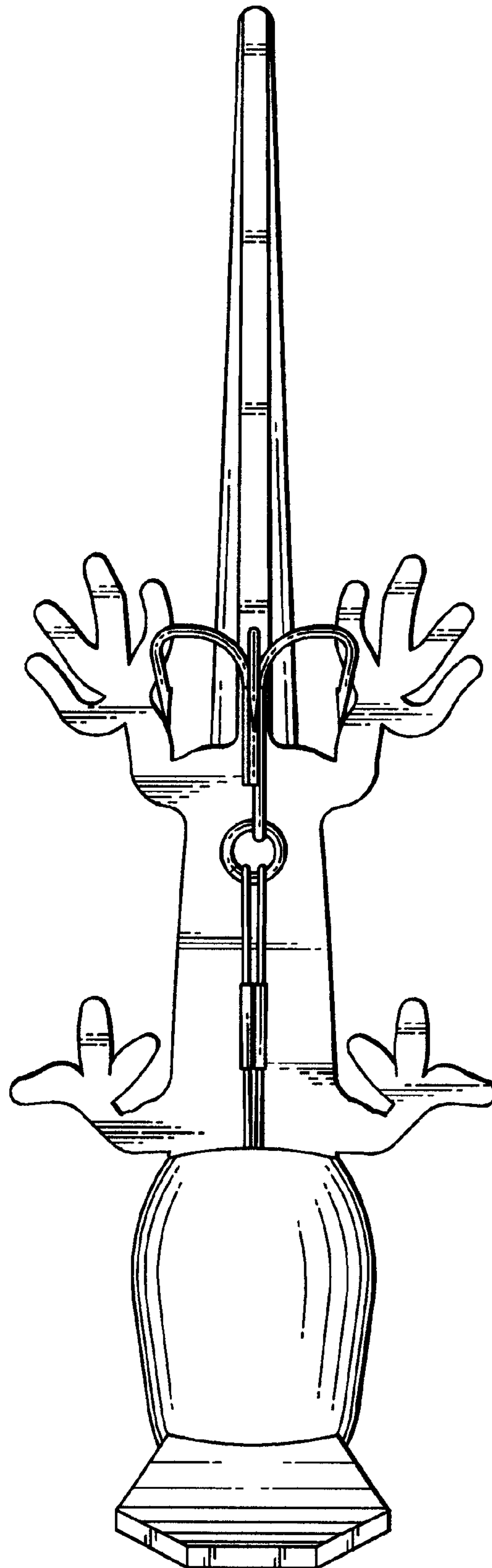


Fig. 5