



US00D526696S

(12) **United States Design Patent** (10) **Patent No.:** **US D526,696 S**
Boyd et al. (45) **Date of Patent:** **** Aug. 15, 2006**

(54) **PEST REPELLER**

(75) Inventors: **Venus Boyd**, Richmond Heights, OH (US); **Stanley Boyd**, Richmond Heights, OH (US)

(73) Assignee: **Stopset Umlimited, LLC**, Cleveland, OH (US)

(**) Term: **14 Years**

(21) Appl. No.: **29/228,886**

(22) Filed: **Apr. 29, 2005**

(51) **LOC (8) Cl.** **22-06**

(52) **U.S. Cl.** **D22/120**

(58) **Field of Classification Search** D22/119–125;
43/112–113, 124, 126, 1, 59; D23/366–369;
367/139; 700/79

See application file for complete search history.

(56) **References Cited**

U.S. PATENT DOCUMENTS

4,178,578 A	12/1979	Hall	367/139
4,414,653 A	11/1983	Pettinger	367/139
4,616,351 A	10/1986	Hall	367/139
4,802,057 A	1/1989	Patterson et al.	361/232
4,870,779 A	10/1989	Johnson et al.	43/124
D352,988 S	* 11/1994	Jan	D22/120
D409,109 S	5/1999	Mah	D10/116
5,930,946 A	8/1999	Mah	43/124
D430,259 S	* 8/2000	Jan	D22/120
6,400,995 B1	6/2002	Patterson et al.	700/79
D469,148 S	* 1/2003	Levine	D22/120
D469,149 S	* 1/2003	Levine	D22/120
D469,499 S	* 1/2003	Levine	D22/120

OTHER PUBLICATIONS

“Pest Raider III”; Technasonic Electronics, Inc., Lincolnwood, IL 60645, pp. 1–2, 1993.

“Pest–A–Cator No Harmful Chemicals! Today’s Pest Control”; Global Instruments Ltd., Trenton, MO 64683, pp. 1–2, 1999.

“Pest–A–Cator Introducing: Pest–A–Cator”; Global Instruments, Ltd., Trenton, MO 64683, pp. 1–2, 1995.

“PestContro Commonly Asked Questions?”; Lentek International, Inc., Kissimmee, FL 34741, pp. 1–3, Oct. 1, 1998.

“Pest Control”; Lentek International, Inc., Kissimmee, FL 34741, pp. 1–6, 2003.

“How The Original PestContro Works”; Lentek International, Inc., Orlando, FL 32859, p. 1, dated prior to 2005.

“PestContro ULTRASONICS”; Lentek International, Inc., Orlando, FL 32859, pp. 1–2, 1999.

“Electronic Ultrasonic Pest Repeller”; Lentek International, Inc., Orlando, FL 32859, pp. 1–2, 1999.

“The Original PestContro Pest Repeller”; Lentek International, Inc., Orlando, FL 32859, pp. 1–2, 1999.

“Turn Your Entire Home Into a Giant Pest Repeller”; Lentek International, Inc., Orlando, FL 32859, pp. 1–2, 1999.

“Electronic Pest Repeller”; Black & Decker Corporation, Towson, Maryland, pp. 1–2, 2003.

“Personal electronic Mosquito Repellers”; Sunbeam Products, Inc., pp. 1–5, 2004.

* cited by examiner

Primary Examiner—Catherine R. Oliver

(74) *Attorney, Agent, or Firm*—Pearne & Gordon LLP

(57) **CLAIM**

The ornamental design for a pest repeller, as shown and described.

DESCRIPTION

FIG. 1 is a perspective view of a first embodiment of a pest repeller, showing our new design;

FIG. 2 is a front elevational view thereof;

FIG. 3 is a top plan view thereof;

FIG. 4 is a right side elevational view thereof;

FIG. 5 is a rear elevational view thereof;

FIG. 6 is a left side elevational view thereof;

FIG. 7 is a bottom plan view thereof;

FIG. 8 is a perspective view of a second embodiment of a pest repeller according to the invention;

FIG. 9 is a front elevational view thereof;

FIG. 10 is a top plan view thereof;

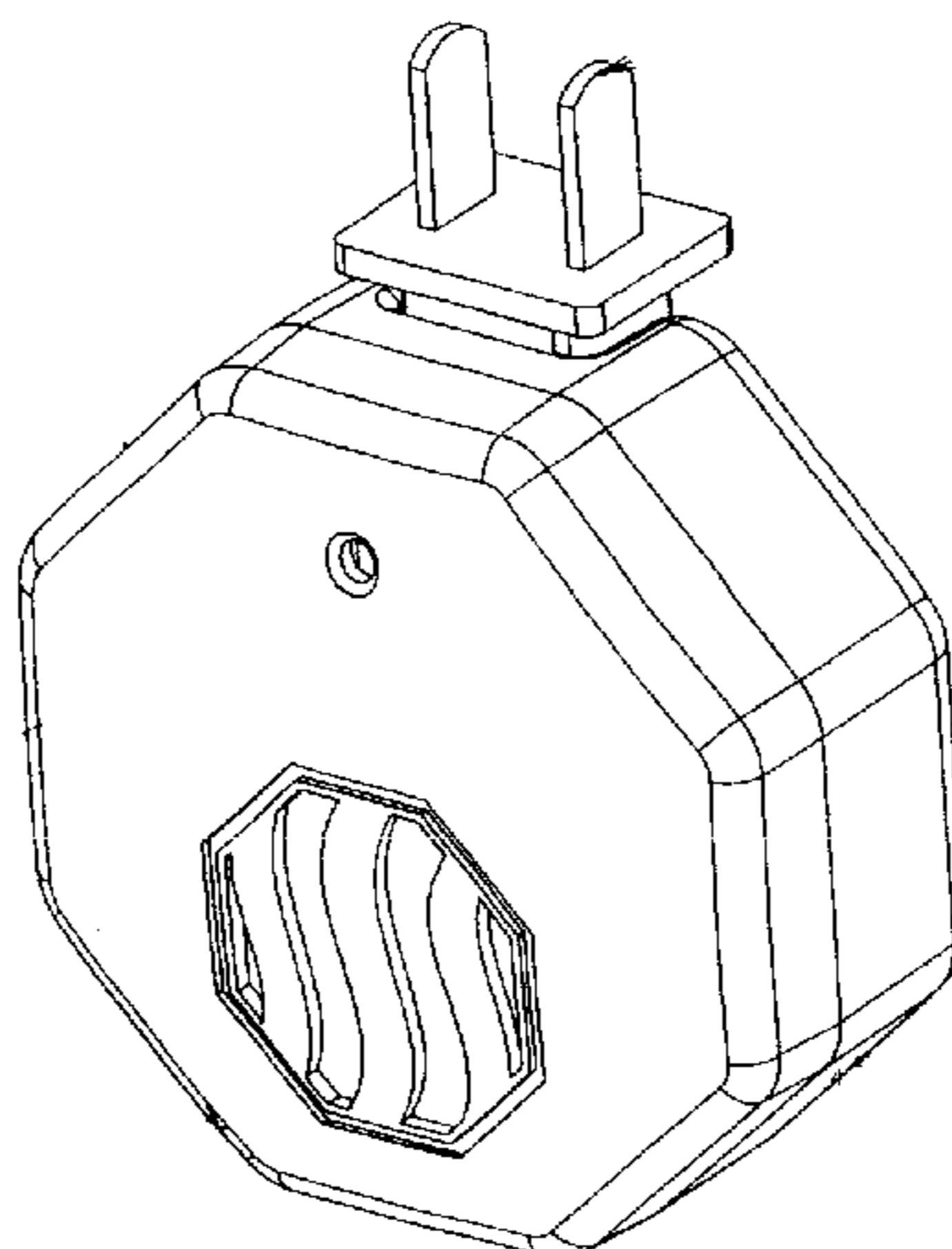
FIG. 11 is a right side elevational view thereof;

FIG. 12 is a rear elevational view thereof;

FIG. 13 is a left side elevational view thereof; and,

FIG. 14 is a bottom plan view thereof.

1 Claim, 2 Drawing Sheets



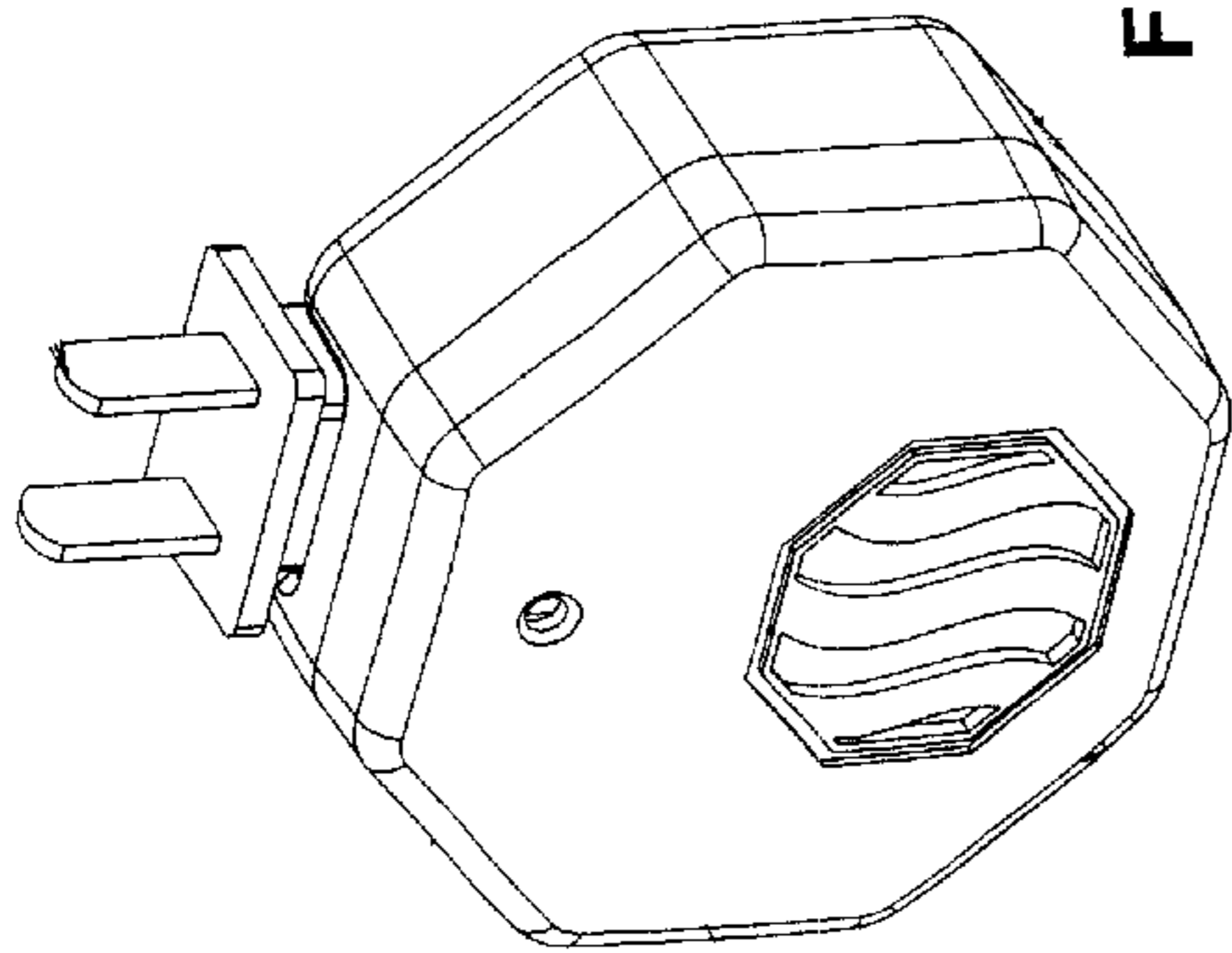


Fig. 1

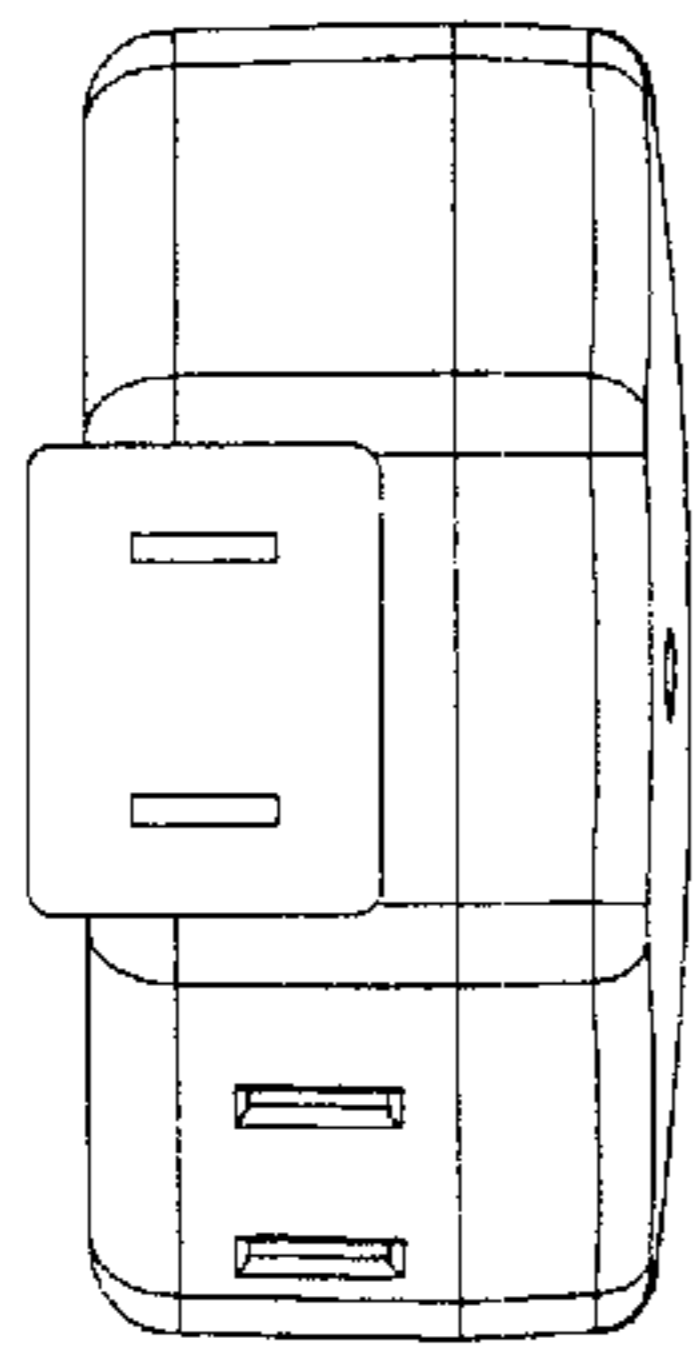


Fig. 3

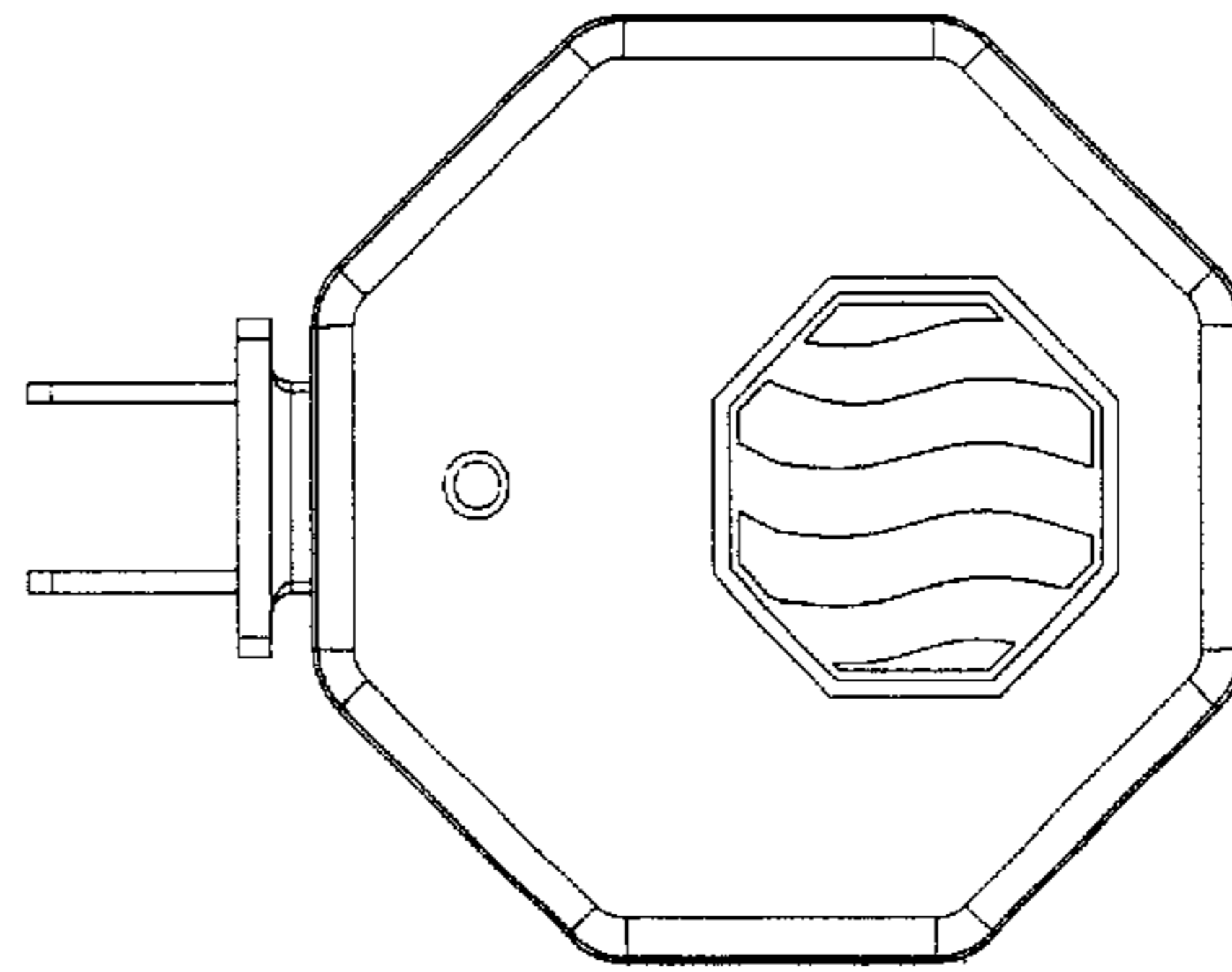


Fig. 2

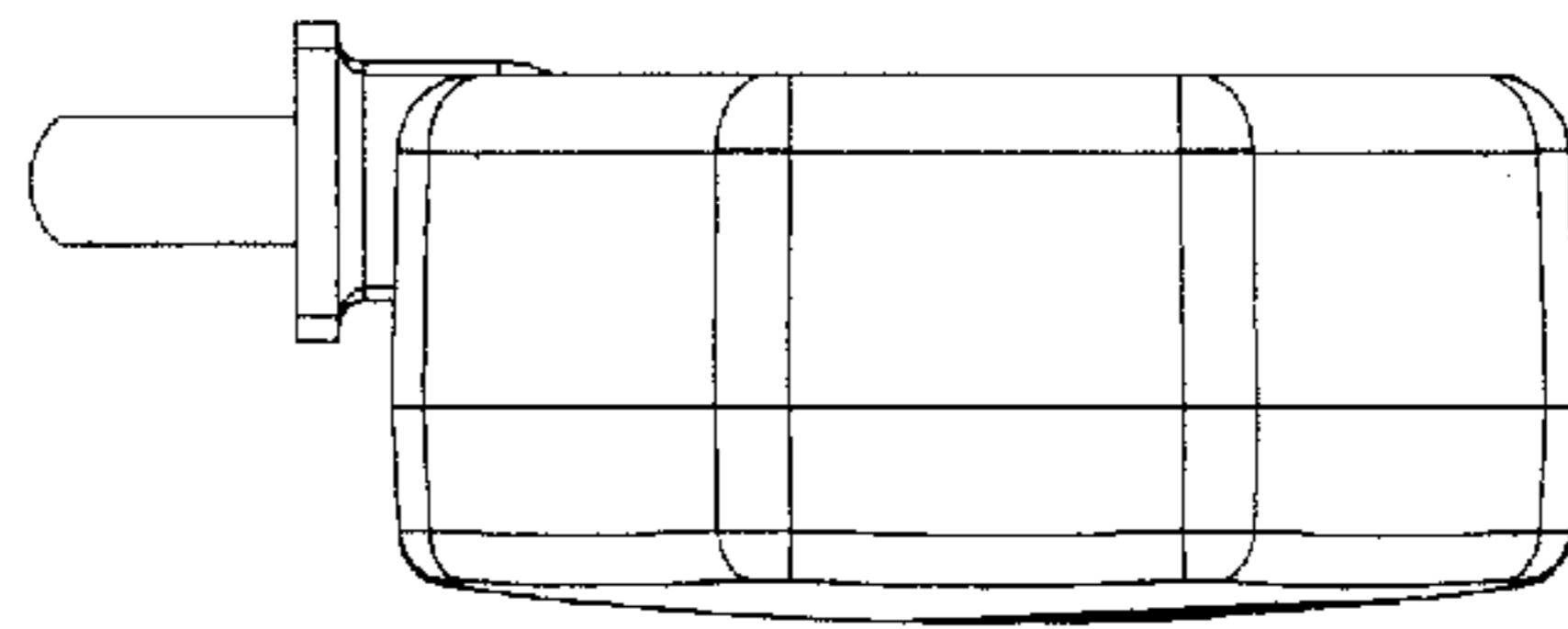


Fig. 4

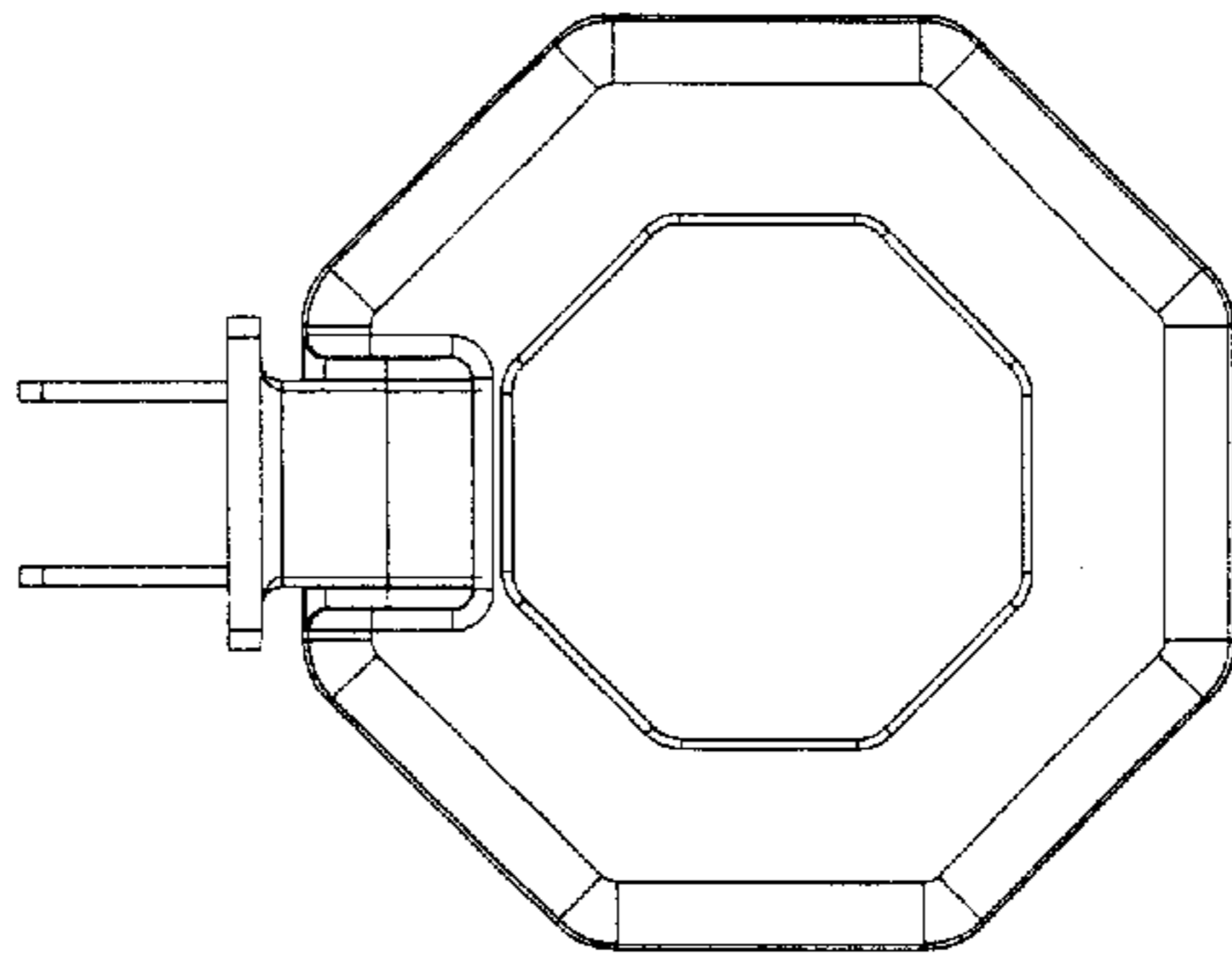


Fig. 5

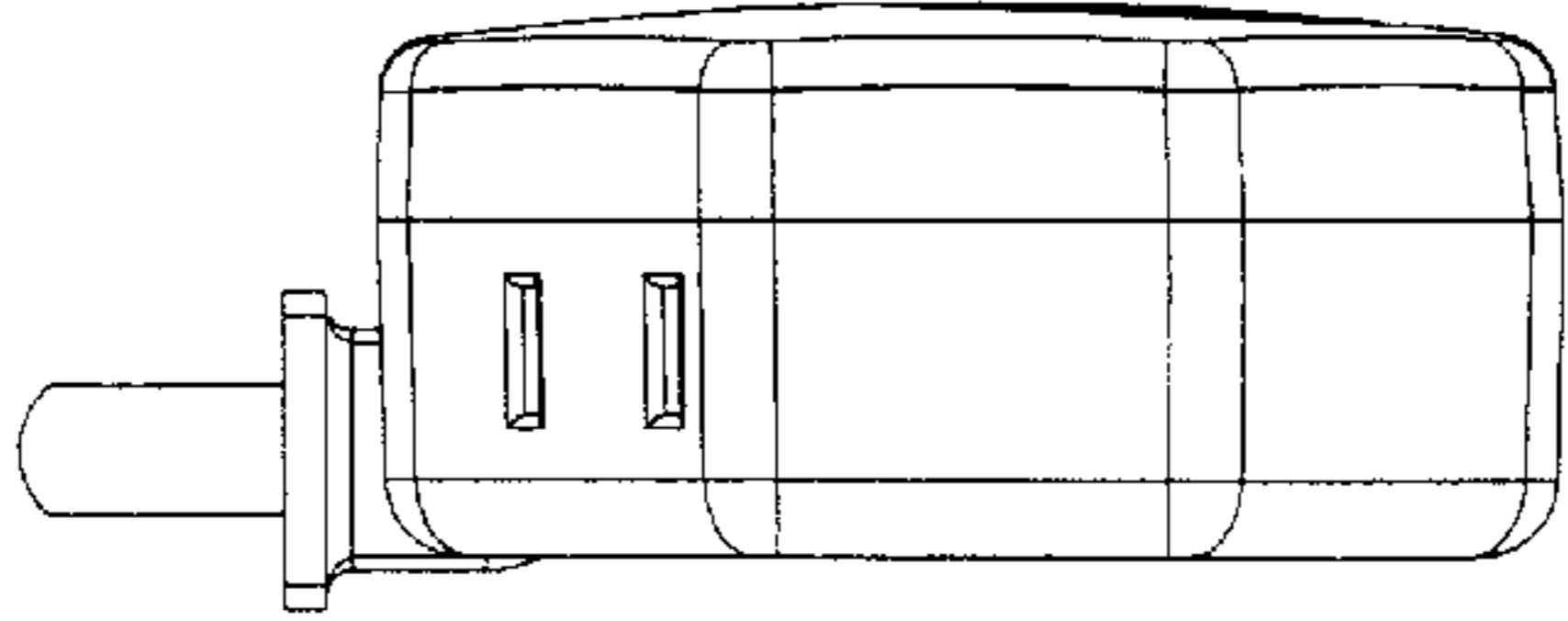


Fig. 6

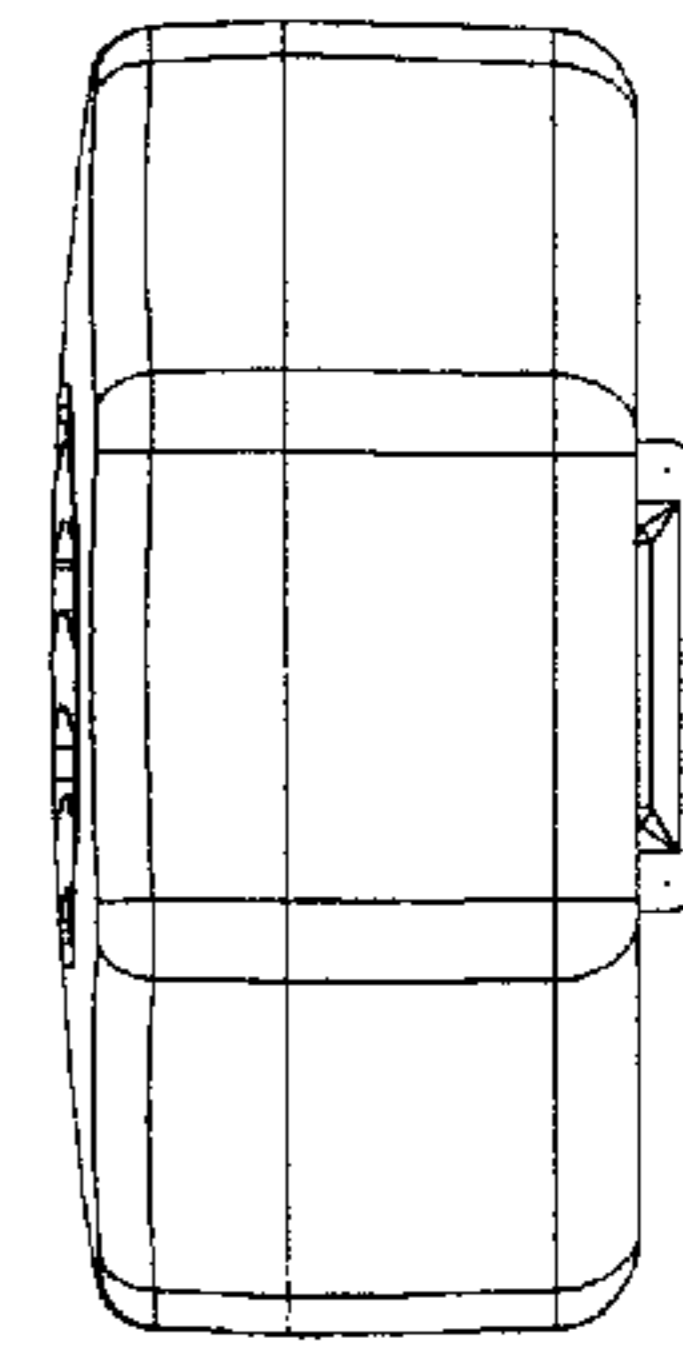


Fig. 7

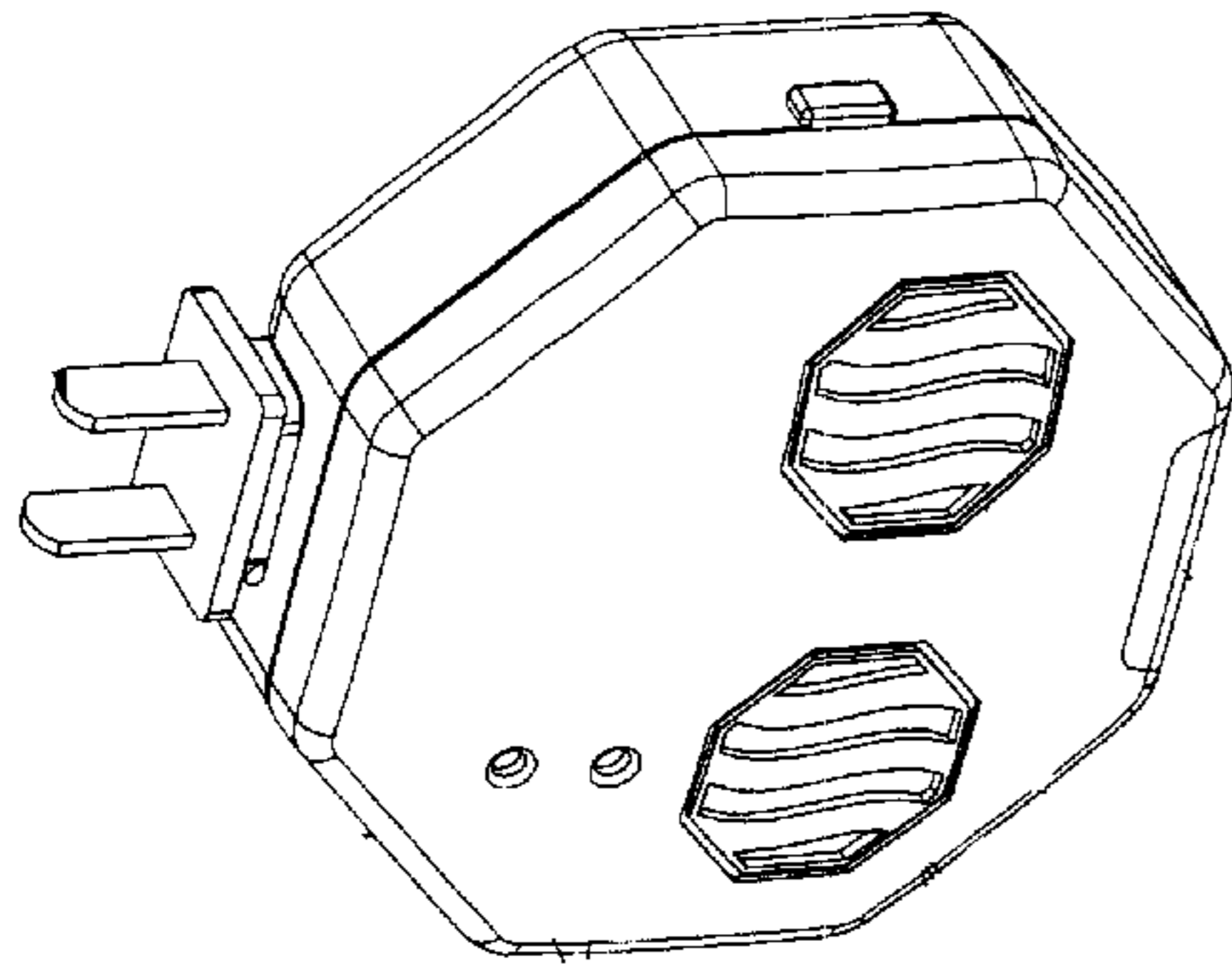


Fig. 8

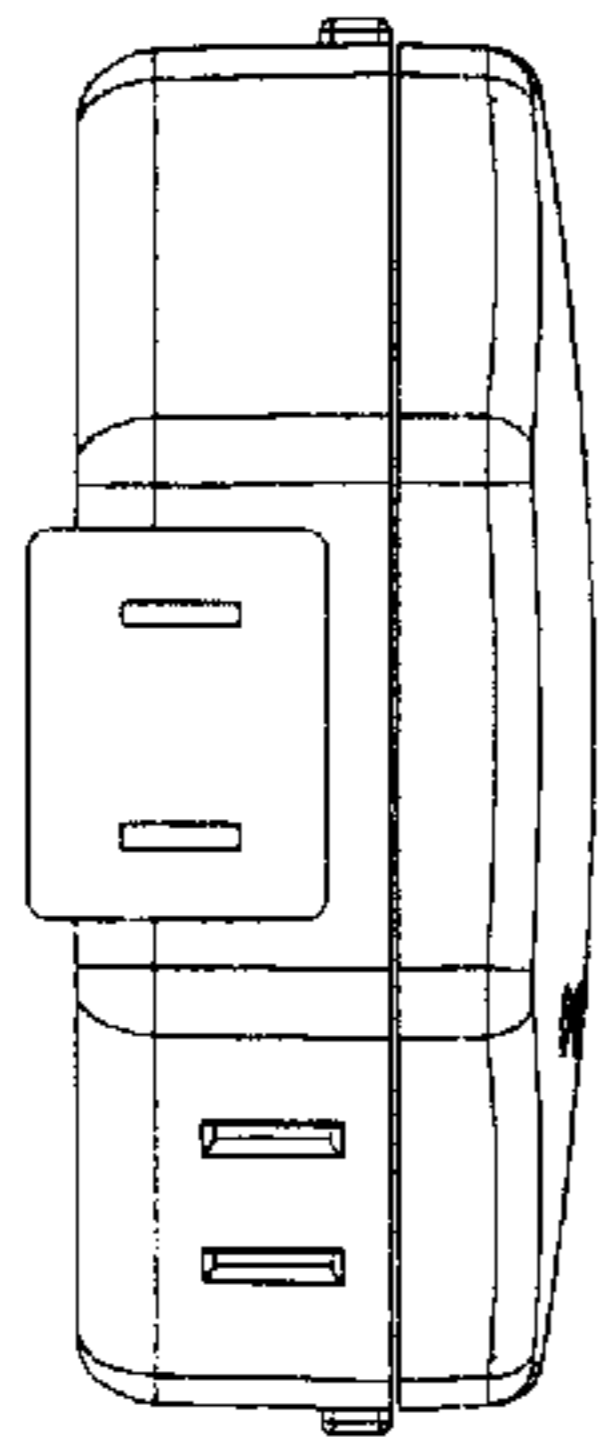


Fig. 10

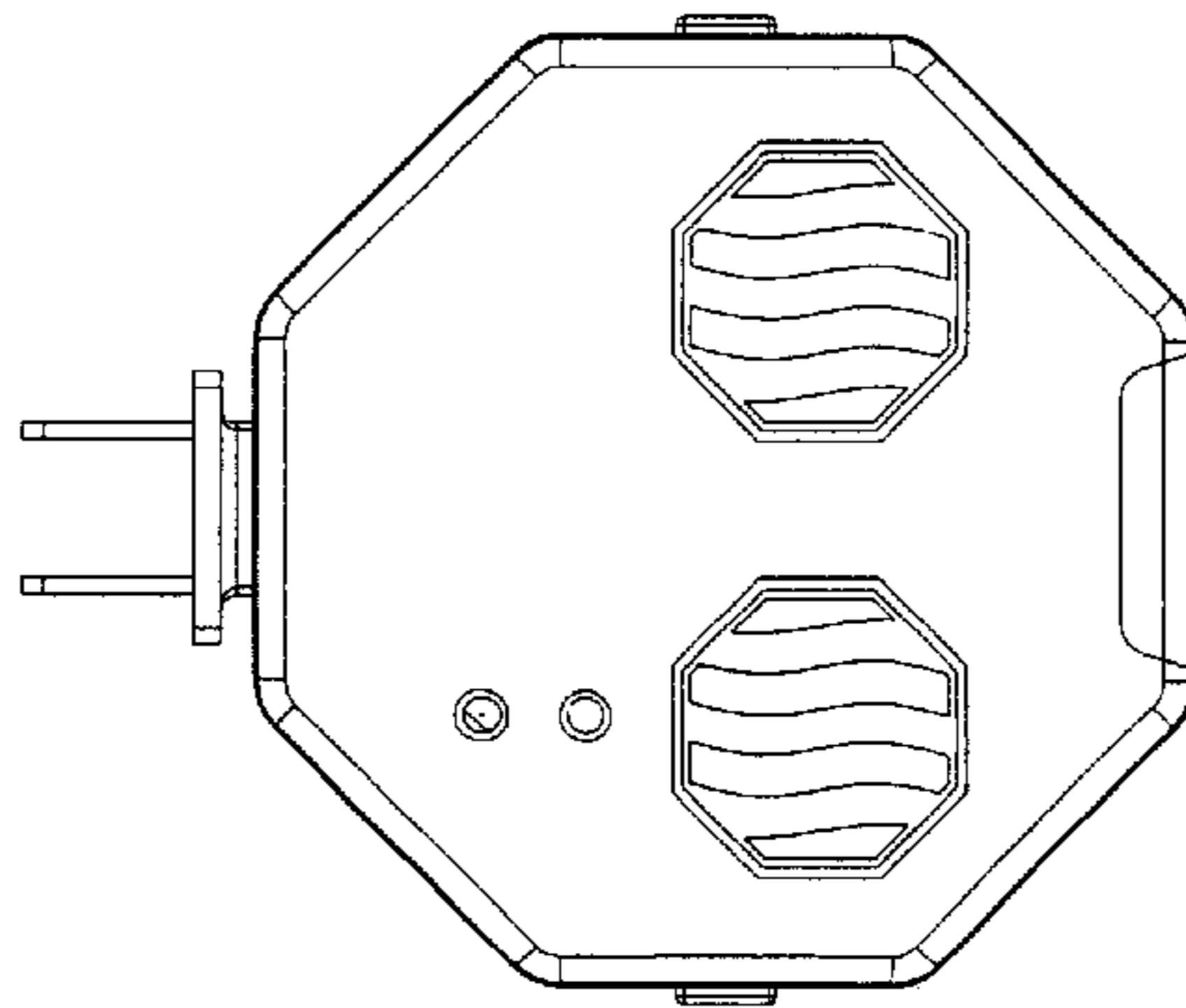


Fig. 9

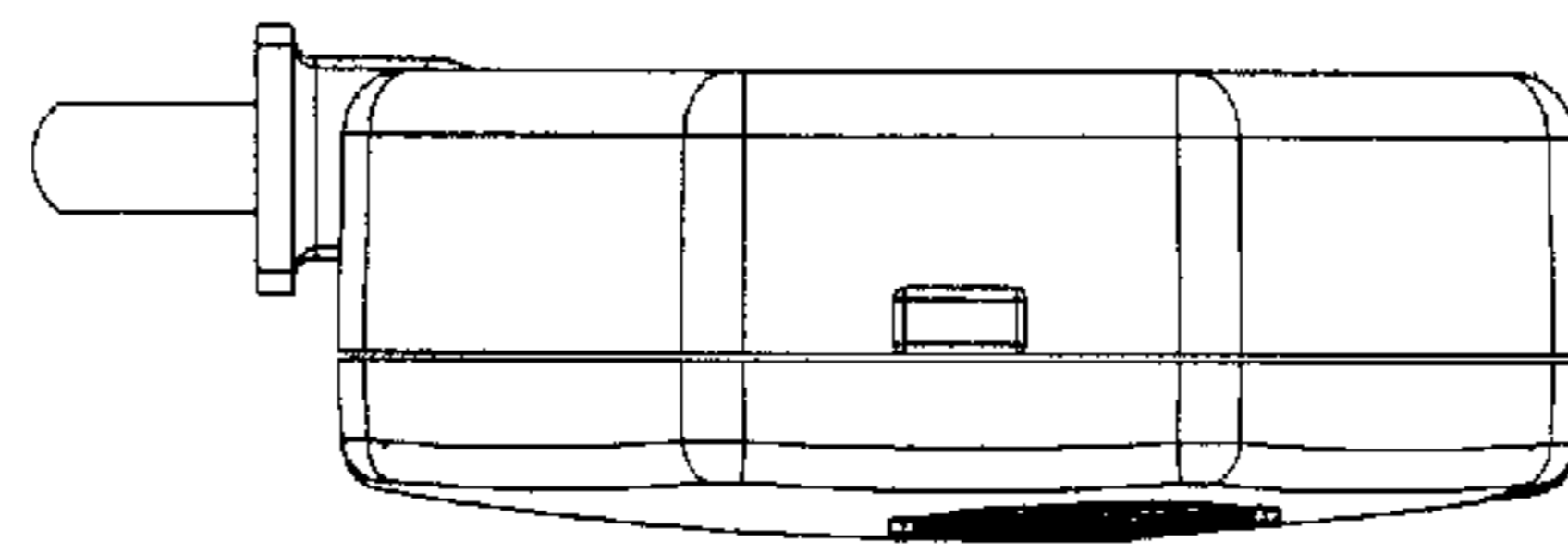


Fig. 11

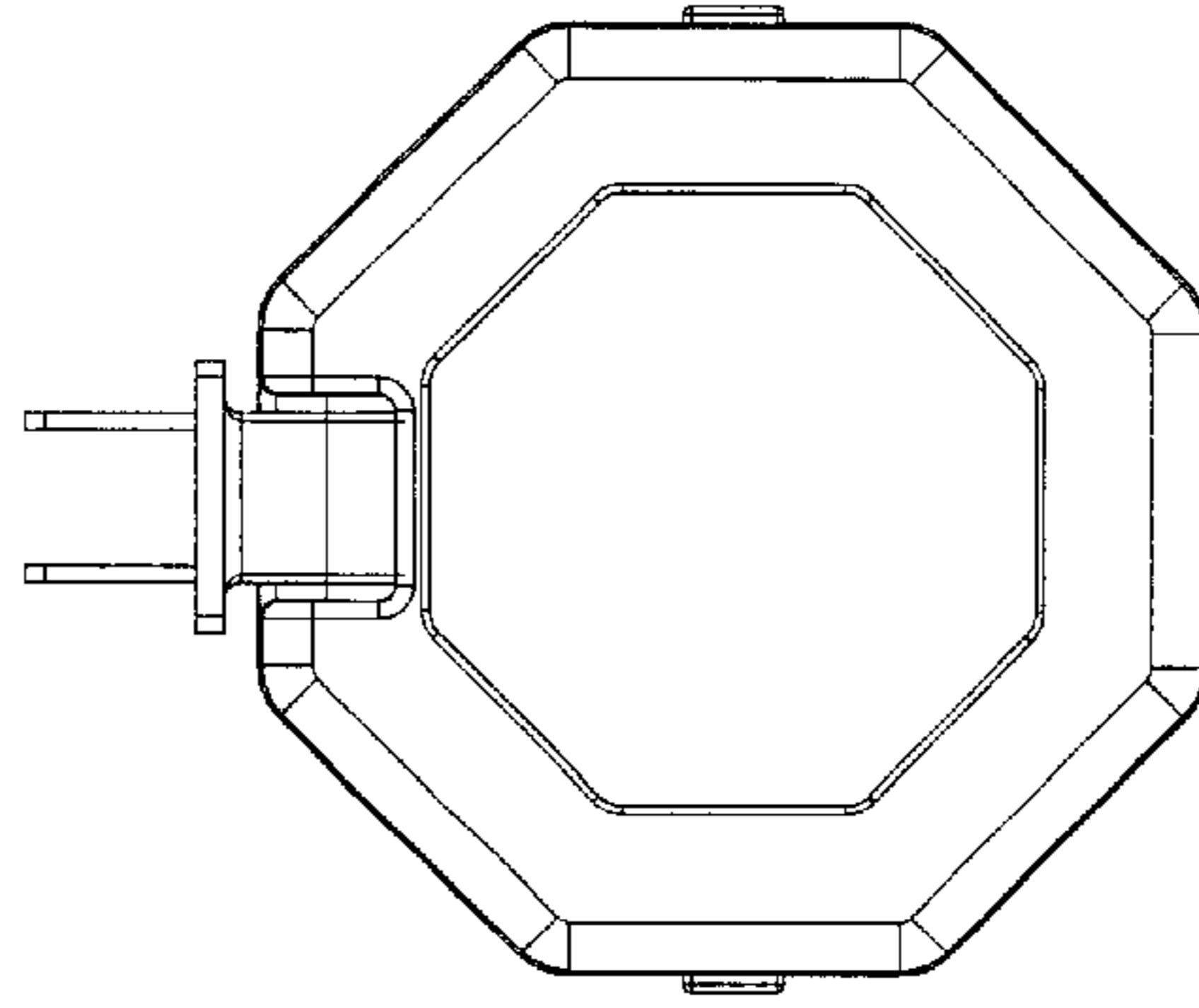


Fig. 12

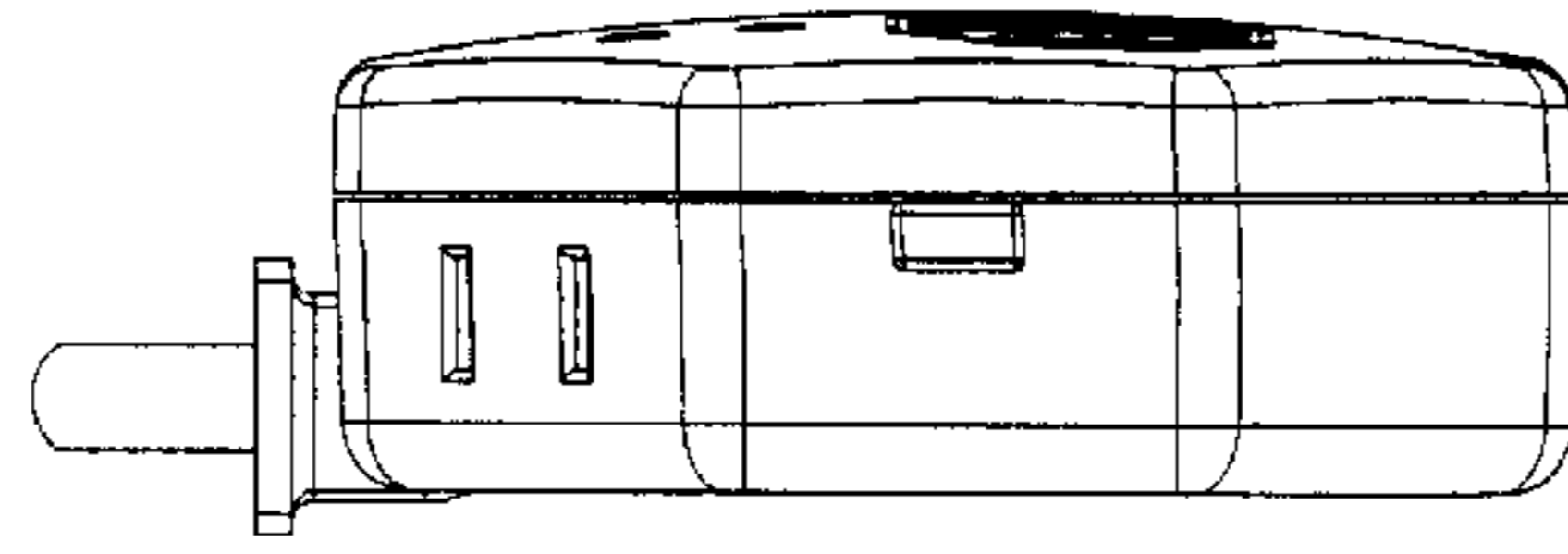


Fig. 13

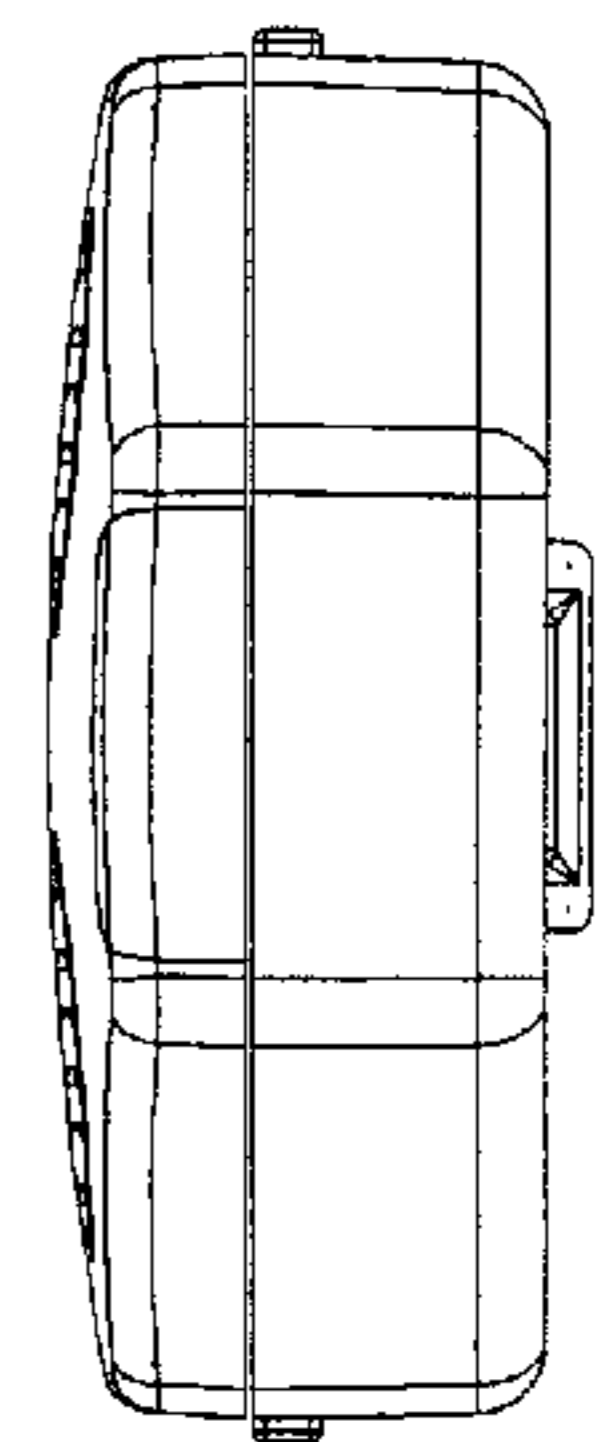


Fig. 14

UNITED STATES PATENT AND TRADEMARK OFFICE
CERTIFICATE OF CORRECTION

PATENT NO. : Des. 526,696 S
APPLICATION NO. : 29/228886
DATED : August 15, 2006
INVENTOR(S) : Venus Boyd and Stanley Boyd

Page 1 of 1

It is certified that error appears in the above-identified patent and that said Letters Patent is hereby corrected as shown below:

On Title Page Item (73), under (73) Assignee, please delete "Stopset Umlimited, LLC" and insert therefore -- Stopest Unlimited, LLC --.

Signed and Sealed this

Nineteenth Day of December, 2006

A handwritten signature in black ink on a dotted background. The signature reads "Jon W. Dudas" in a cursive style.

JON W. DUDAS

Director of the United States Patent and Trademark Office