



US00D526692S

(12) **United States Design Patent**  
**Ayton**

(10) **Patent No.:** **US D526,692 S**

(45) **Date of Patent:** **\*\* Aug. 15, 2006**

(54) **FRAME FOR EXERCISE EQUIPMENT**

(76) **Inventor:** **W. Brooke Ayton**, 10245 W. Airport,  
Stafford, TX (US) 77477

(\*\*) **Term:** **14 Years**

(21) **Appl. No.:** **29/215,427**

(22) **Filed:** **Oct. 19, 2004**

(51) **LOC (8) Cl.** ..... **21-02**

(52) **U.S. Cl.** ..... **D21/686; D21/694**

(58) **Field of Classification Search** ..... D21/662,  
D21/674, 676, 686, 691, 694; 482/97, 99-100,  
482/137-138, 142

See application file for complete search history.

(56) **References Cited**

**U.S. PATENT DOCUMENTS**

5,044,632	A	*	9/1991	Jones	.....	482/138
5,257,963	A	*	11/1993	Comfort	.....	482/51
5,263,914	A	*	11/1993	Simonson et al.	.....	482/99
D437,370	S	*	2/2001	Webber et al.	.....	D21/694
D437,371	S	*	2/2001	Webber et al.	.....	D21/694
D438,267	S	*	2/2001	Webber et al.	.....	D21/694
6,409,637	B1	*	6/2002	Webber et al.	.....	482/99

6,491,609	B1	*	12/2002	Webber	.....	482/99
D480,773	S	*	10/2003	Suchanek et al.	.....	D21/694
2003/0092540	A1	*	5/2003	Gillen	.....	482/99

**FOREIGN PATENT DOCUMENTS**

EM 000076781-0001 \* 9/2003

\* cited by examiner

*Primary Examiner*—Philip S. Hyder

*Assistant Examiner*—RoseLynne (Ulm) Cody

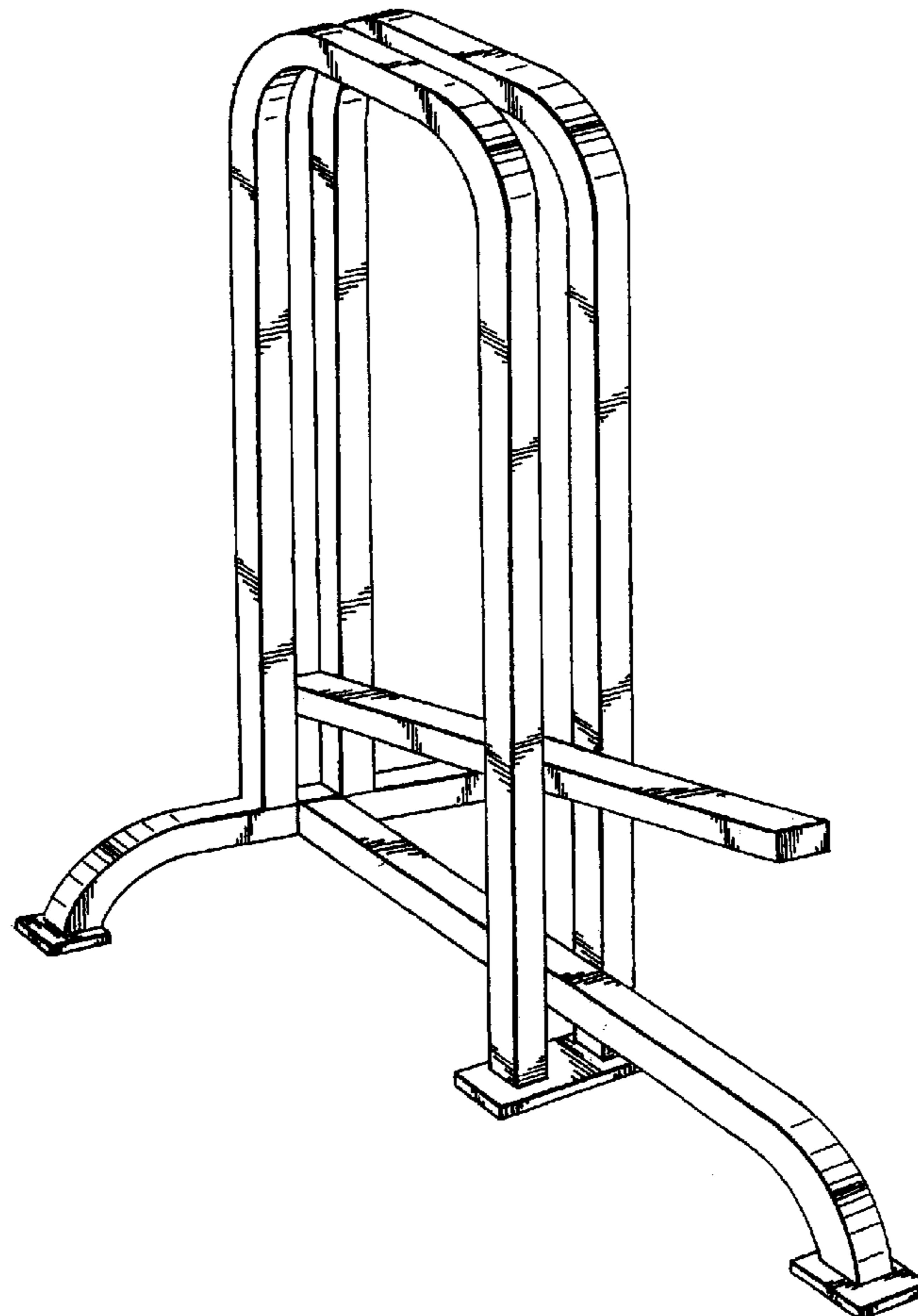
(57) **CLAIM**

The ornamental design for a frame for exercise equipment, as shown and described.

**DESCRIPTION**

FIG. 1 is a perspective view of my novel design;  
FIG. 2 is a front view of my novel design;  
FIG. 3 is a left side view of my novel design, the opposite,  
right side view being a mirror image thereof;  
FIG. 4 is a rear view of my novel design;  
FIG. 5 is a top view of my novel design; and,  
FIG. 6 is a bottom view of my novel design.

**1 Claim, 2 Drawing Sheets**



**FIG. 1**

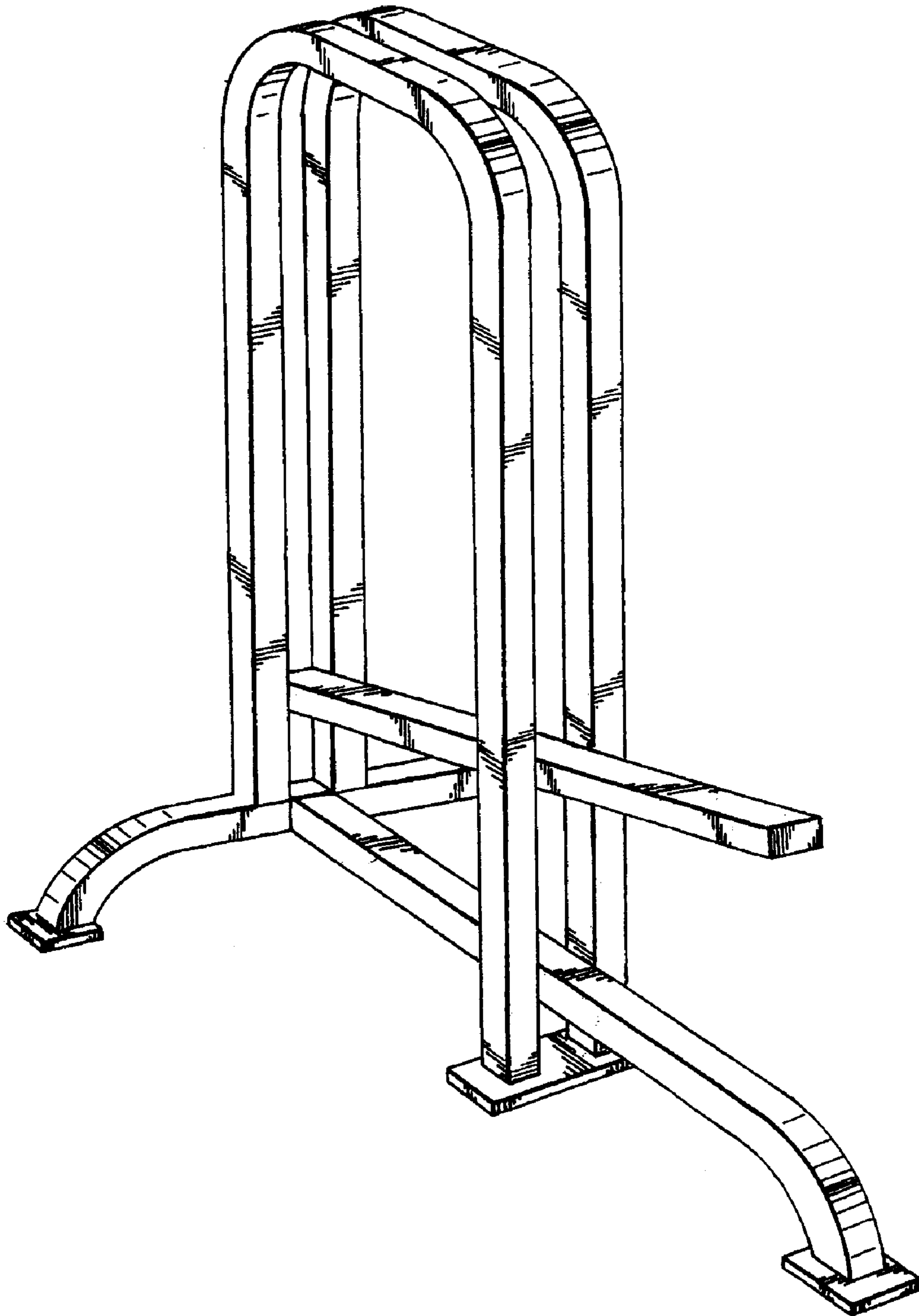


FIG. 4

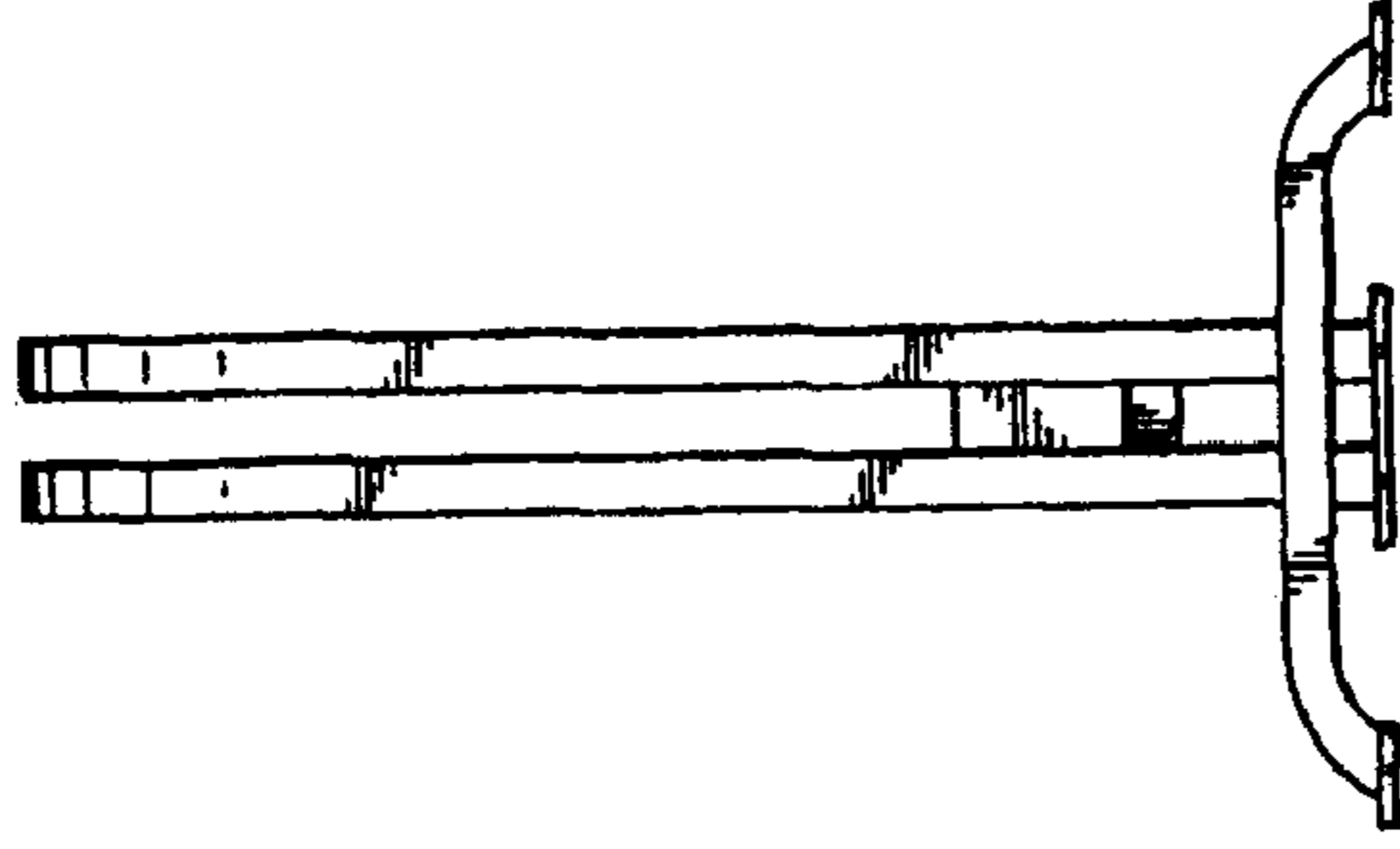


FIG. 3

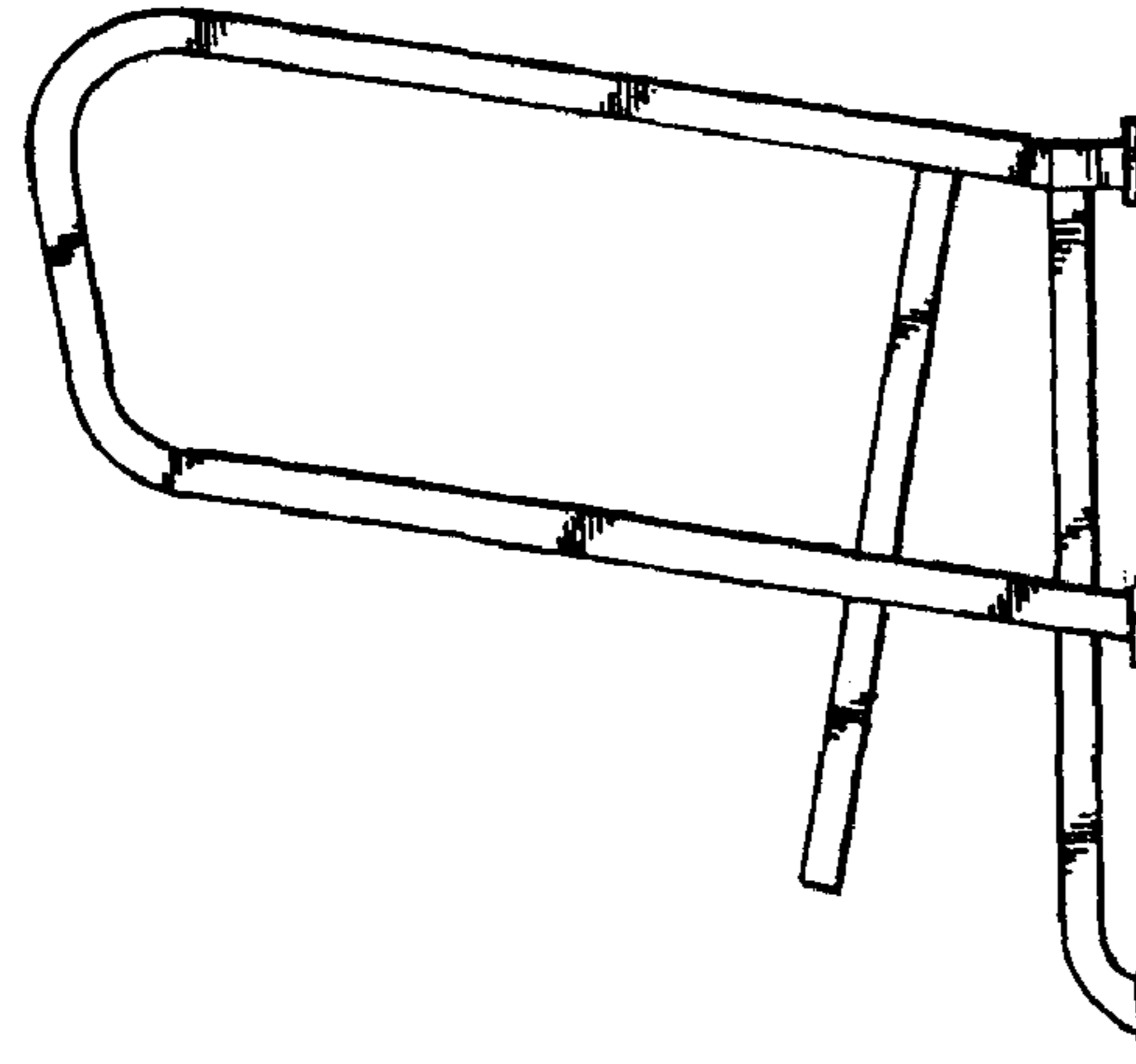


FIG. 2

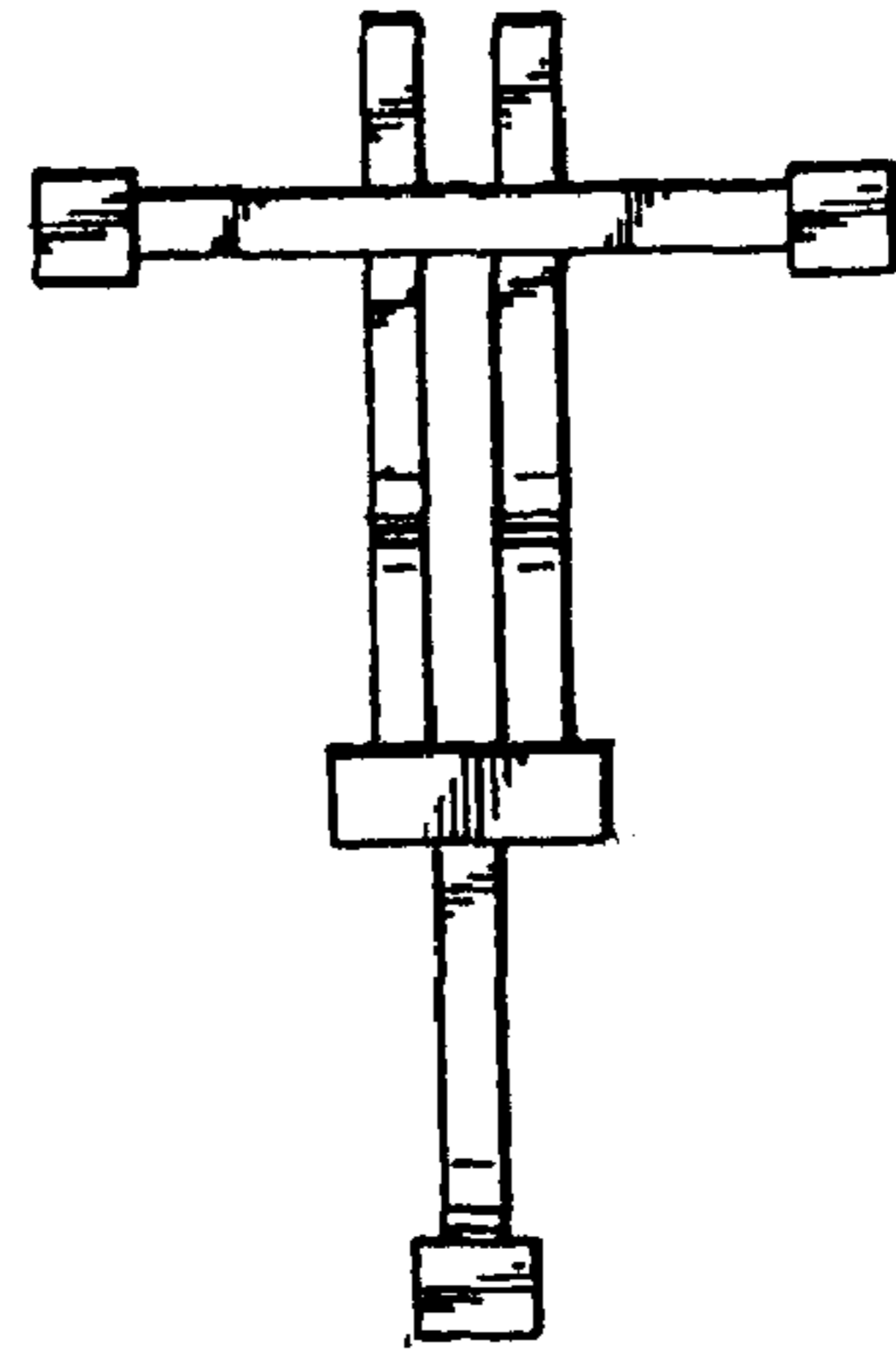
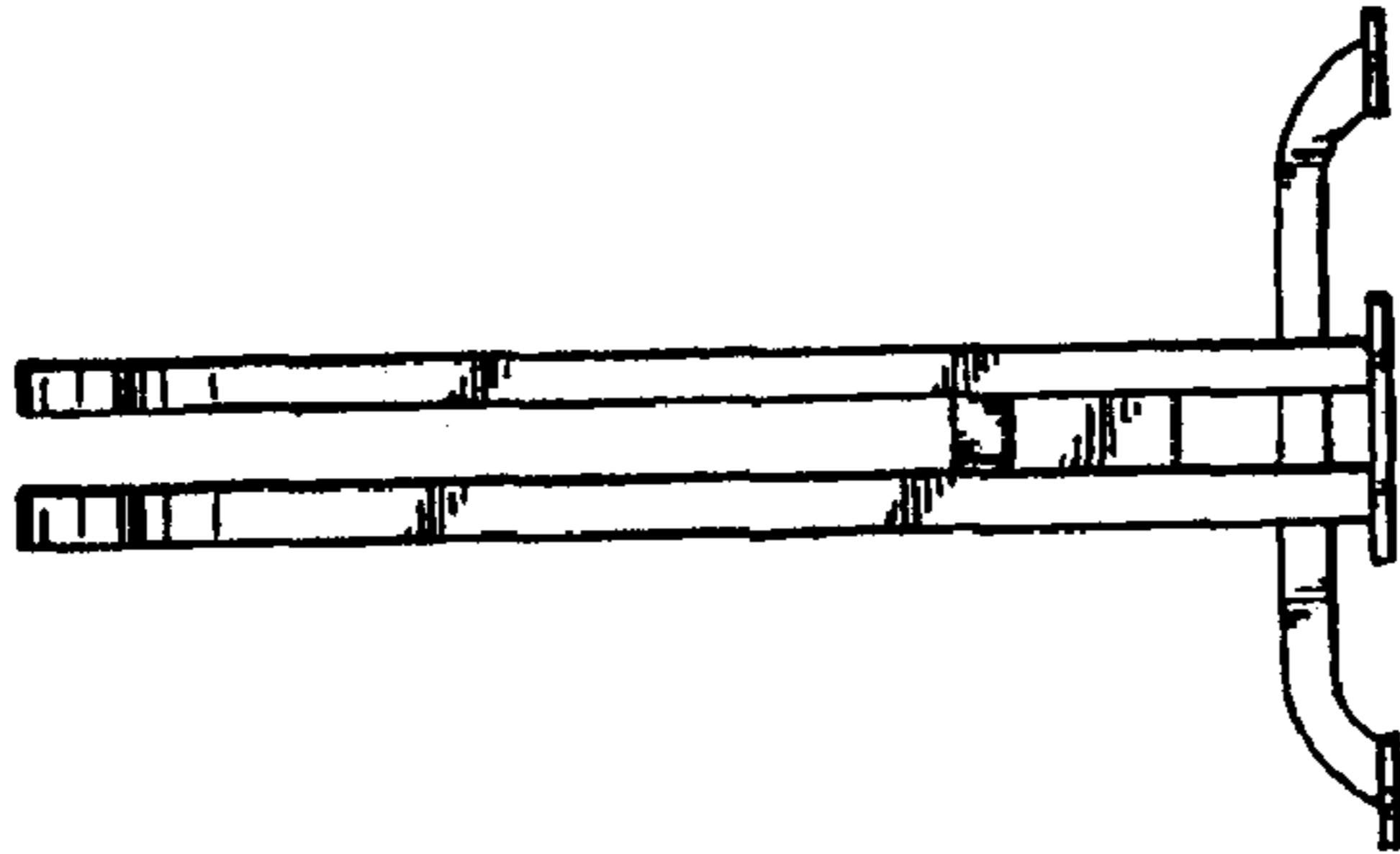


FIG. 6

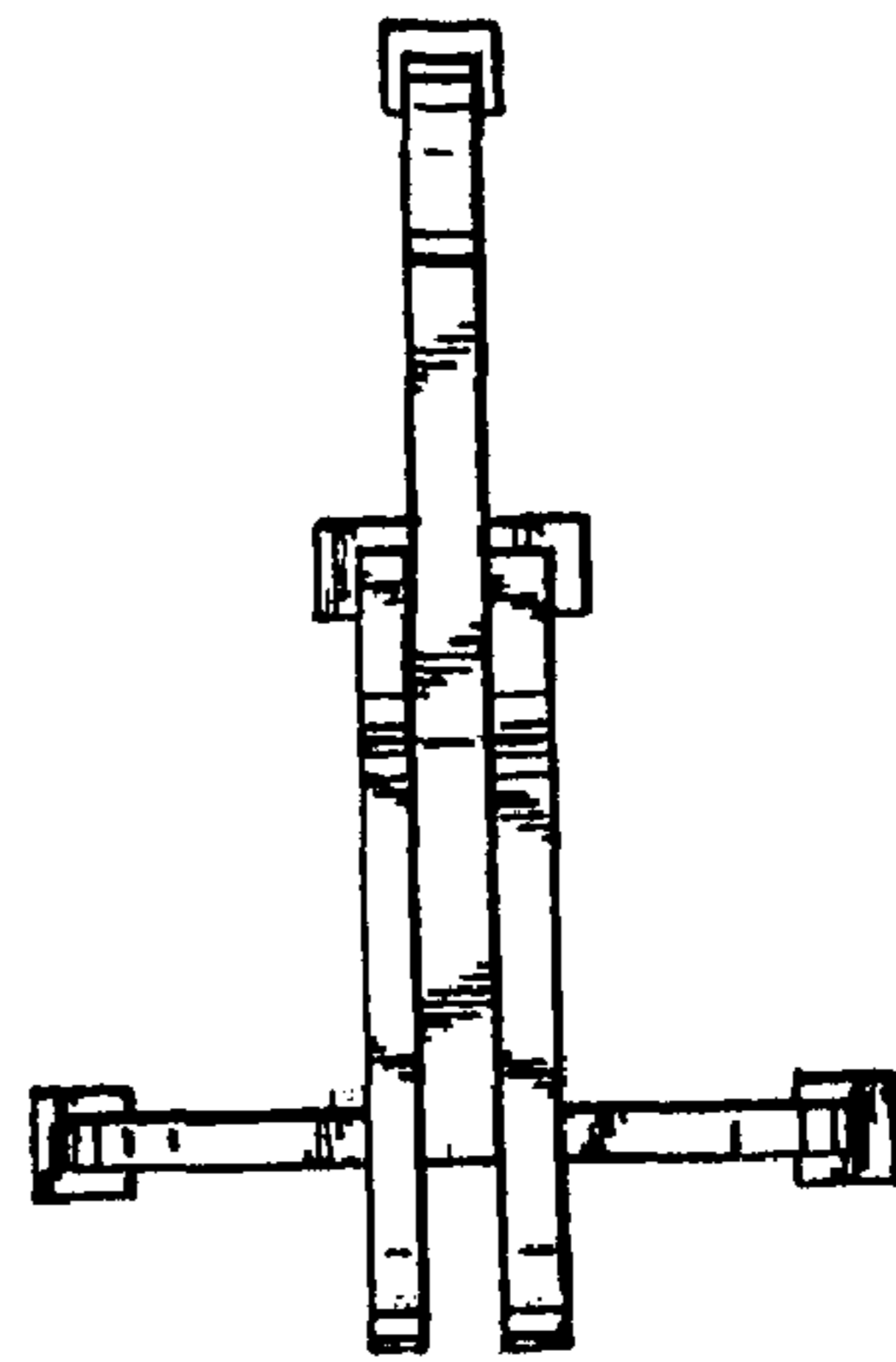


FIG. 5