



US00D526689S

(12) **United States Design Patent**  
**Marshall et al.**

(10) **Patent No.:** **US D526,689 S**

(45) **Date of Patent:** **\*\* Aug. 15, 2006**

(54) **WATER FLOAT TOY**

(75) Inventors: **Duane D. Marshall**, Wichita, KS (US);  
**Jordan G. Rockstad**, Andover, KS  
(US)

(73) Assignee: **The Coleman Company, Inc.**, Wichita,  
KS (US)

(\*\*) Term: **14 Years**

(21) Appl. No.: **29/236,492**

(22) Filed: **Aug. 15, 2005**

(51) **LOC (8) Cl.** ..... **21-01**

(52) **U.S. Cl.** ..... **D21/473; D21/808**

(58) **Field of Classification Search** ..... D21/438-440,  
D21/473, 650, 803-810; D12/316; D6/337,  
D6/359, 388, 597, 598, 604; 472/128, 129,  
472/134; 446/153-155, 160, 183, 184, 220,  
446/222-226, 325, 421, 486; 273/336, 338,  
273/348, 350

See application file for complete search history.

(56) **References Cited**

**U.S. PATENT DOCUMENTS**

D35,595 S	1/1902	Bentley	
D35,606 S	1/1902	Bentley	
1,184,325 A *	5/1916	Coxey	441/80
2,404,729 A *	7/1946	Hurt	472/129
D167,078 S *	6/1952	Harrowe	D21/808
D239,673 S	4/1976	Ziegler	
4,179,832 A *	12/1979	Lemelson	40/540
D289,191 S *	4/1987	Wolfe	D21/808
5,437,070 A	8/1995	Rempp	
D372,950 S *	8/1996	Nicholson	D21/808

5,658,178 A *	8/1997	Varga	441/1
D435,621 S	12/2000	Peterson	
6,386,761 B1	5/2002	Bohnsack	
6,709,340 B1 *	3/2004	Gordon	472/134
6,859,964 B1	3/2005	Arnott	
D510,400 S	10/2005	Rockstad et al.	

**OTHER PUBLICATIONS**

Chiang, Tung, "Unl Chair," 1 page, printed at <http://www.s-ref.ucam.org/~hmw26/join-the-dots/2004/04/20/uni-chair> on Nov. 14, 2005 (Apr. 2004).

Unknown, "Flower Pillow and Rug," *Company Kids, Spring-Summer, 2002*, 2 pages, printed at [www.companykids.com](http://www.companykids.com) on Nov. 13, 2004 (Nov. 2004).

\* cited by examiner

*Primary Examiner*—Catherine Tuttle

(74) *Attorney, Agent, or Firm*—Leydig, Voit & Mayer, Ltd

(57) **CLAIM**

The ornamental design for a water float toy, as shown and described.

**DESCRIPTION**

FIG. 1 is a front and side perspective view of our new water float toy;

FIG. 2 is a front elevation view thereof;

FIG. 3 is a rear elevation view thereof;

FIG. 4 is a left elevation view thereof;

FIG. 5 is a right elevation view thereof;

FIG. 6 is a top plan view thereof; and,

FIG. 7 is a bottom plan view thereof.

The broken line showing is for illustrative purposes only and forms no part of the claimed design.

**1 Claim, 4 Drawing Sheets**

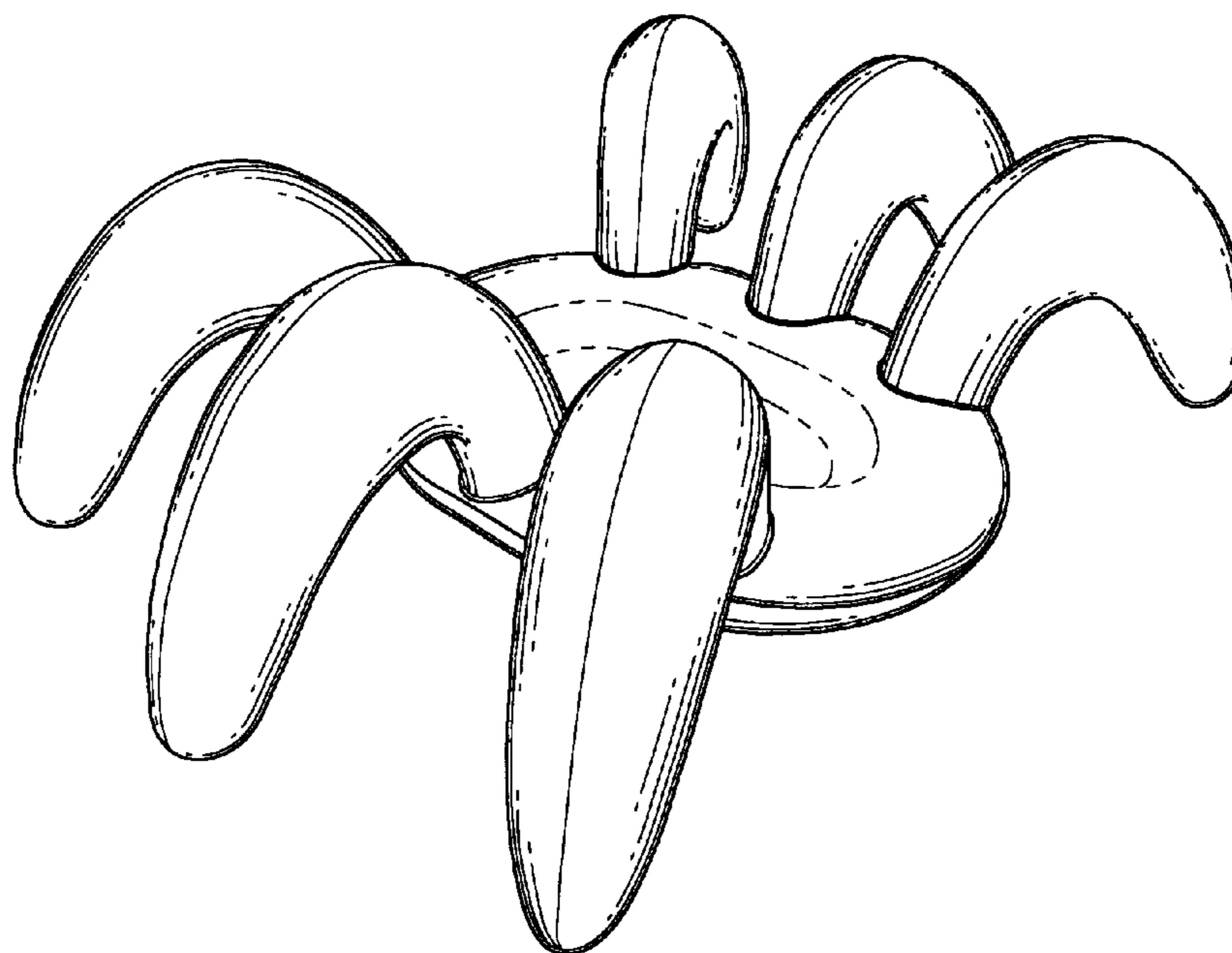


FIG. 1

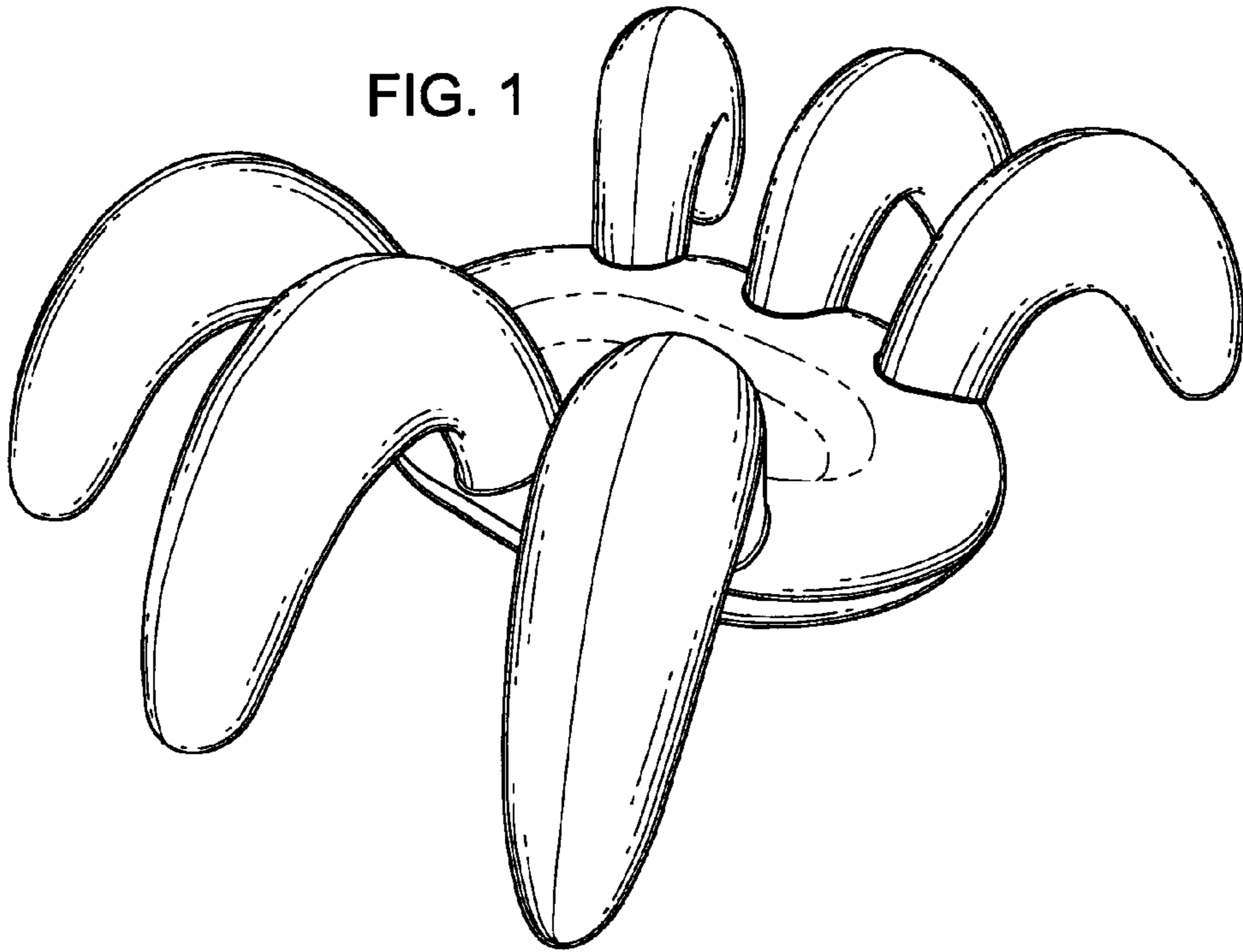
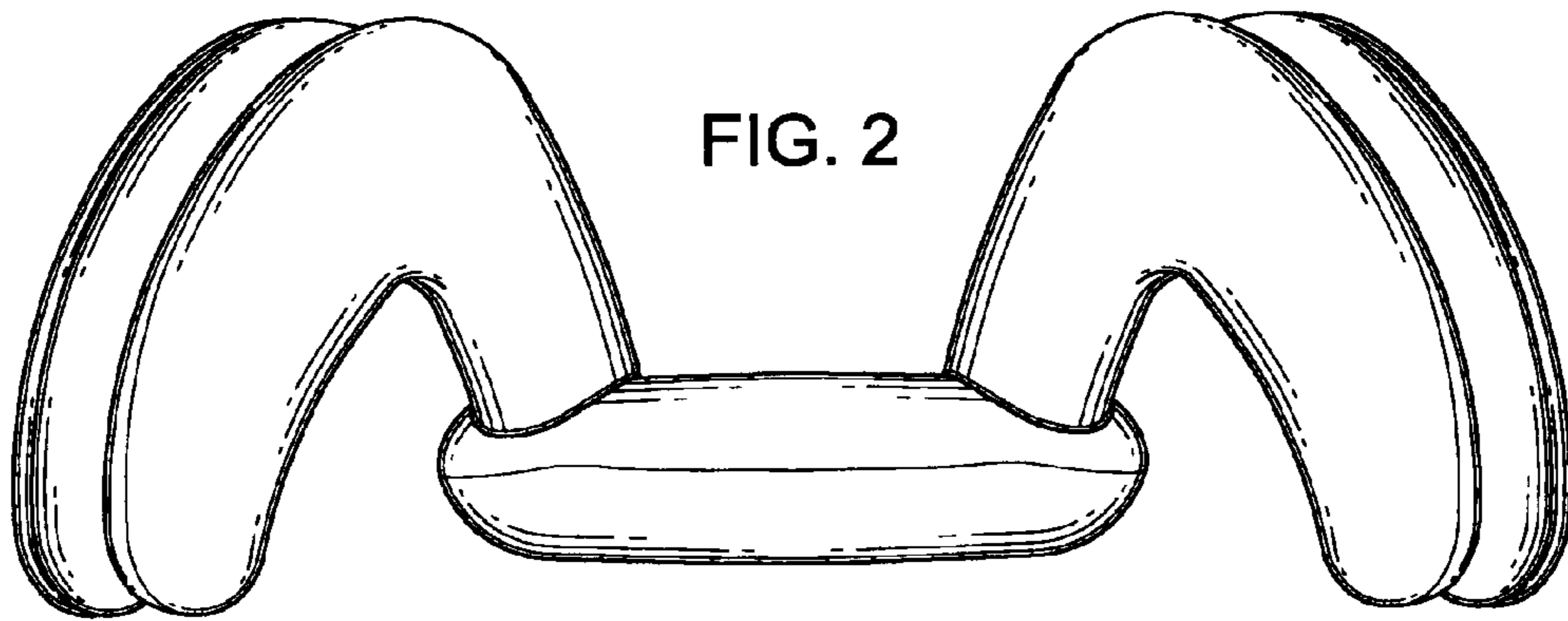


FIG. 2



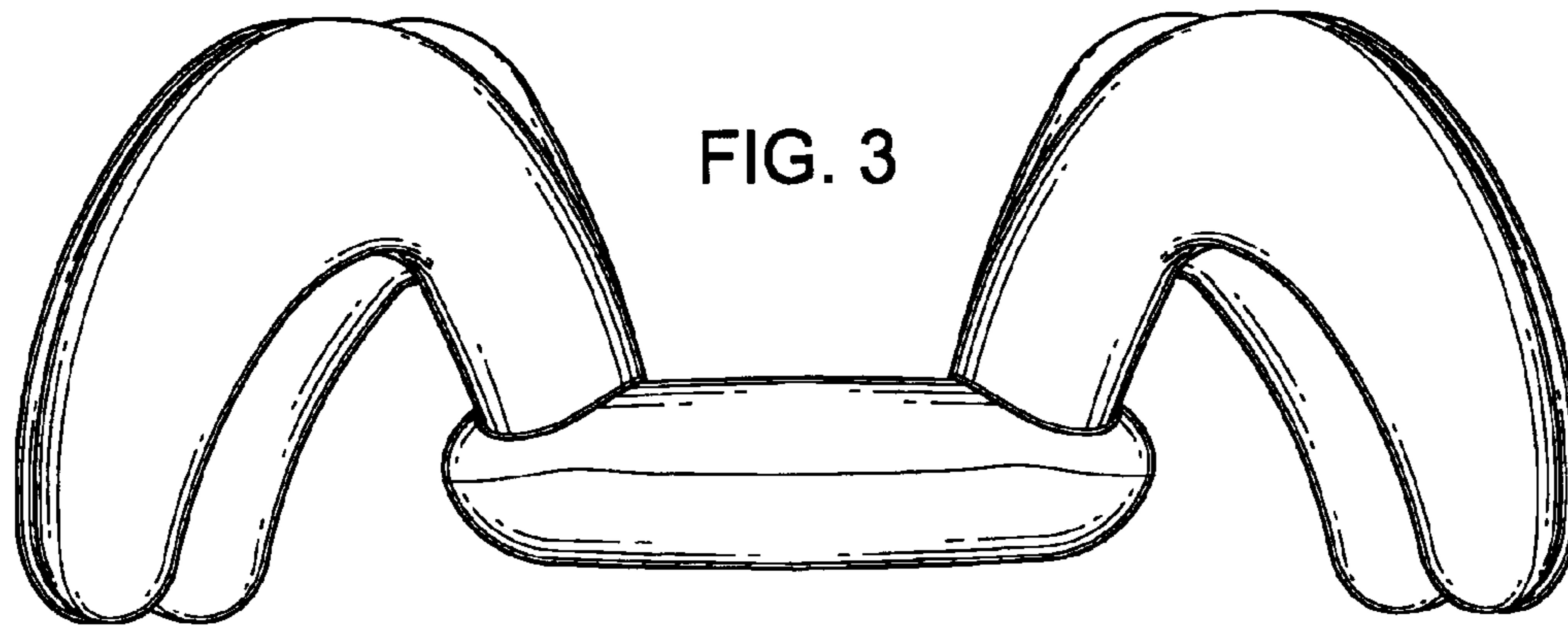


FIG. 3

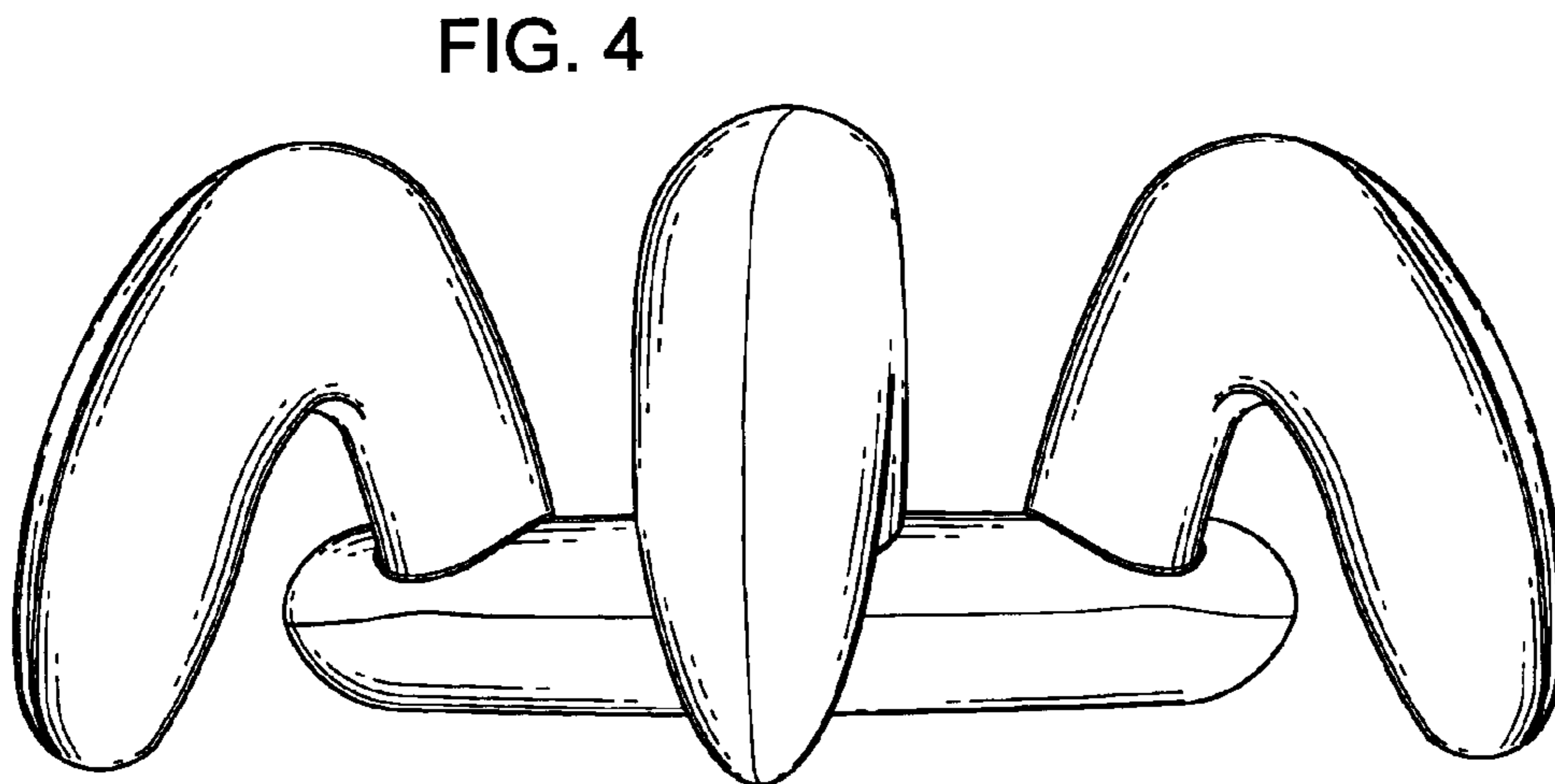


FIG. 4

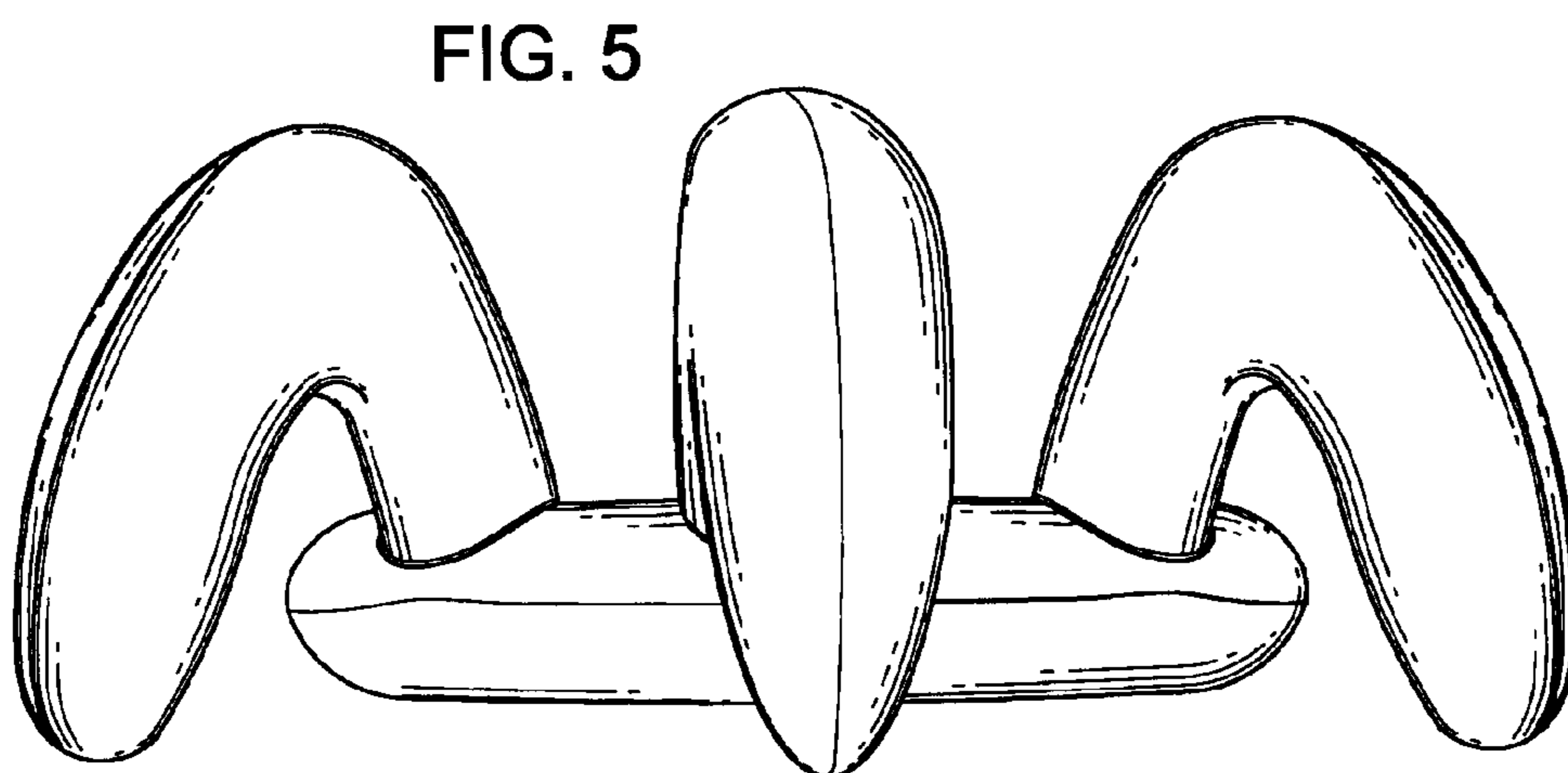


FIG. 5

FIG. 6

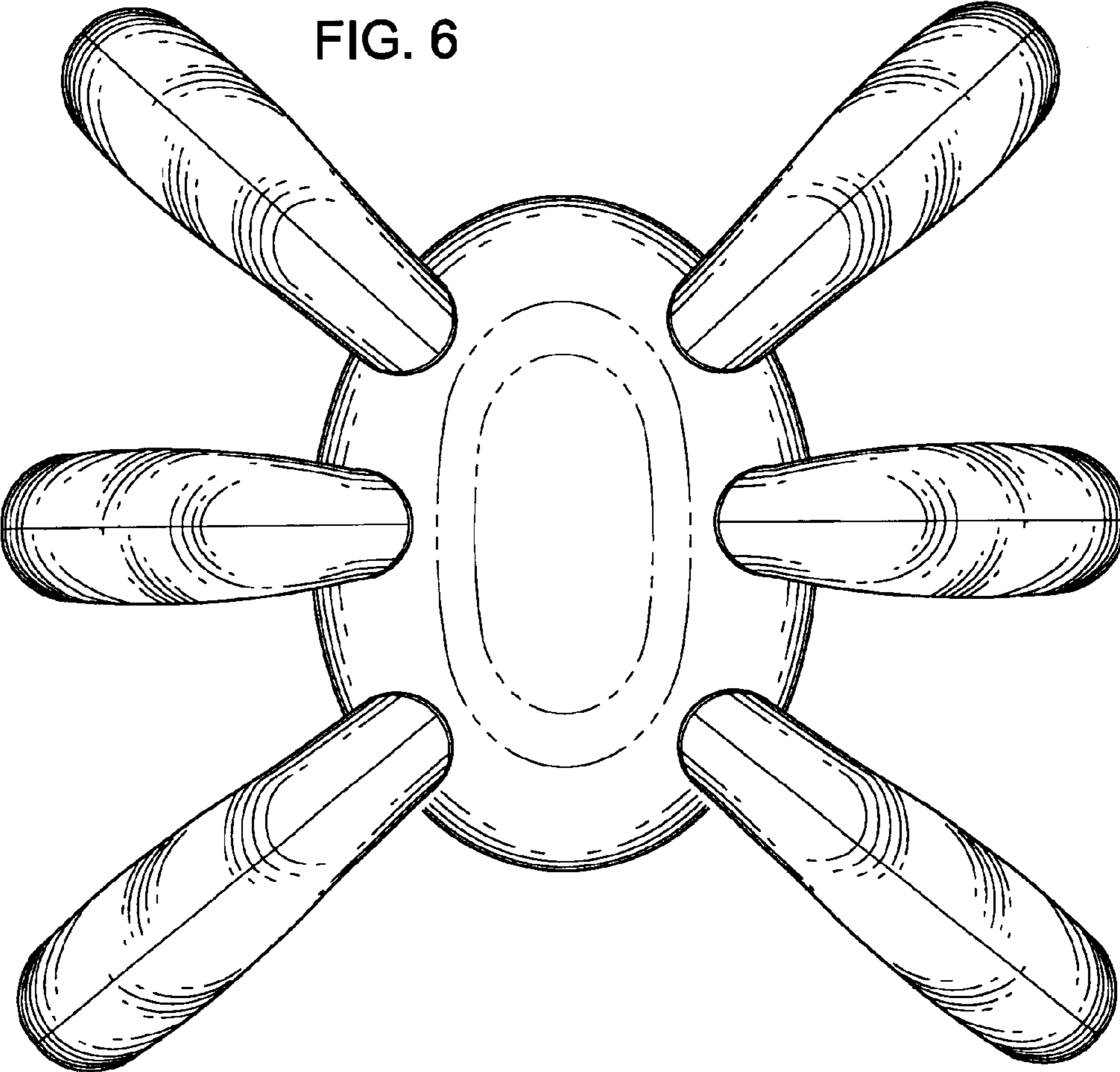


FIG. 7

