

US00D526688S

(12) **United States Design Patent**
Marshall et al.

(10) **Patent No.:** **US D526,688 S**

(45) **Date of Patent:** **** Aug. 15, 2006**

(54) **WATER FLOAT TOY**

(75) Inventors: **Duane D. Marshall**, Wichita, KS (US);
Jordan G. Rockstad, Andover, KS
(US)

(73) Assignee: **The Coleman Company, Inc.**, Wichita,
KS (US)

(**) Term: **14 Years**

(21) Appl. No.: **29/235,876**

(22) Filed: **Aug. 8, 2005**

(51) **LOC (8) Cl.** **21-01**

(52) **U.S. Cl.** **D21/473; D21/803**

(58) **Field of Classification Search** D21/386,
D21/387, 441-444, 473, 707, 710, 803, 808,
D21/810; D6/337, 597, 604; D12/316; D30/160;
472/128, 129, 134; 446/34, 36, 46, 47, 68,
446/153-155, 160, 183, 184, 220, 222-226,
446/325, 421, 486; 273/336, 338, 348, 350
See application file for complete search history.

(56) **References Cited**

U.S. PATENT DOCUMENTS

D35,595 S	1/1902	Bentley	
D35,606 S	1/1902	Bentley	
1,184,325 A *	5/1916	Coxey	441/80
D71,112 S *	9/1926	Levay	D21/387
2,187,493 A *	1/1940	Gordon	473/609
2,404,729 A *	7/1946	Hurt	472/129
D165,649 S *	1/1952	Harrison	D21/440
D167,078 S *	6/1952	Harrowe	D21/808
2,816,764 A *	12/1957	Gleason	473/590
D239,673 S	4/1976	Ziegler	
4,179,832 A *	12/1979	Lemelson	40/540
5,437,070 A	8/1995	Rempp	
5,655,777 A *	8/1997	Neading et al.	473/594

5,658,178 A *	8/1997	Varga	441/1
D435,621 S	12/2000	Peterson	
D441,925 S *	5/2001	Flynn	D30/160
6,386,761 B1	5/2002	Bohnsack	
6,709,340 B1 *	3/2004	Gordon	472/134
6,859,964 B1	3/2005	Arnott	
D510,400 S	10/2005	Rockstad et al.	

OTHER PUBLICATIONS

Chiang, Tung, "Unl Chair," 1 page, printed at <http://www.s-rcf.ucam.org/~hmw26/join-the-dots/2004/04/20/uni-chair> on Nov. 14, 2005 (Apr. 2004).

Unknown, "Flower Pillow and Rug," *Company Kids, Spring-Summer, 2002*, 2 pages, printed at www.companykids.com on Nov. 13, 2004 (Nov. 2004).

* cited by examiner

Primary Examiner—Catherine Tuttle

(74) *Attorney, Agent, or Firm*—Leydig, Voit & Mayer, Ltd.

(57) **CLAIM**

The ornamental design for a water float toy, as shown and described.

DESCRIPTION

FIG. 1 is a front and side perspective view of our new water float toy;

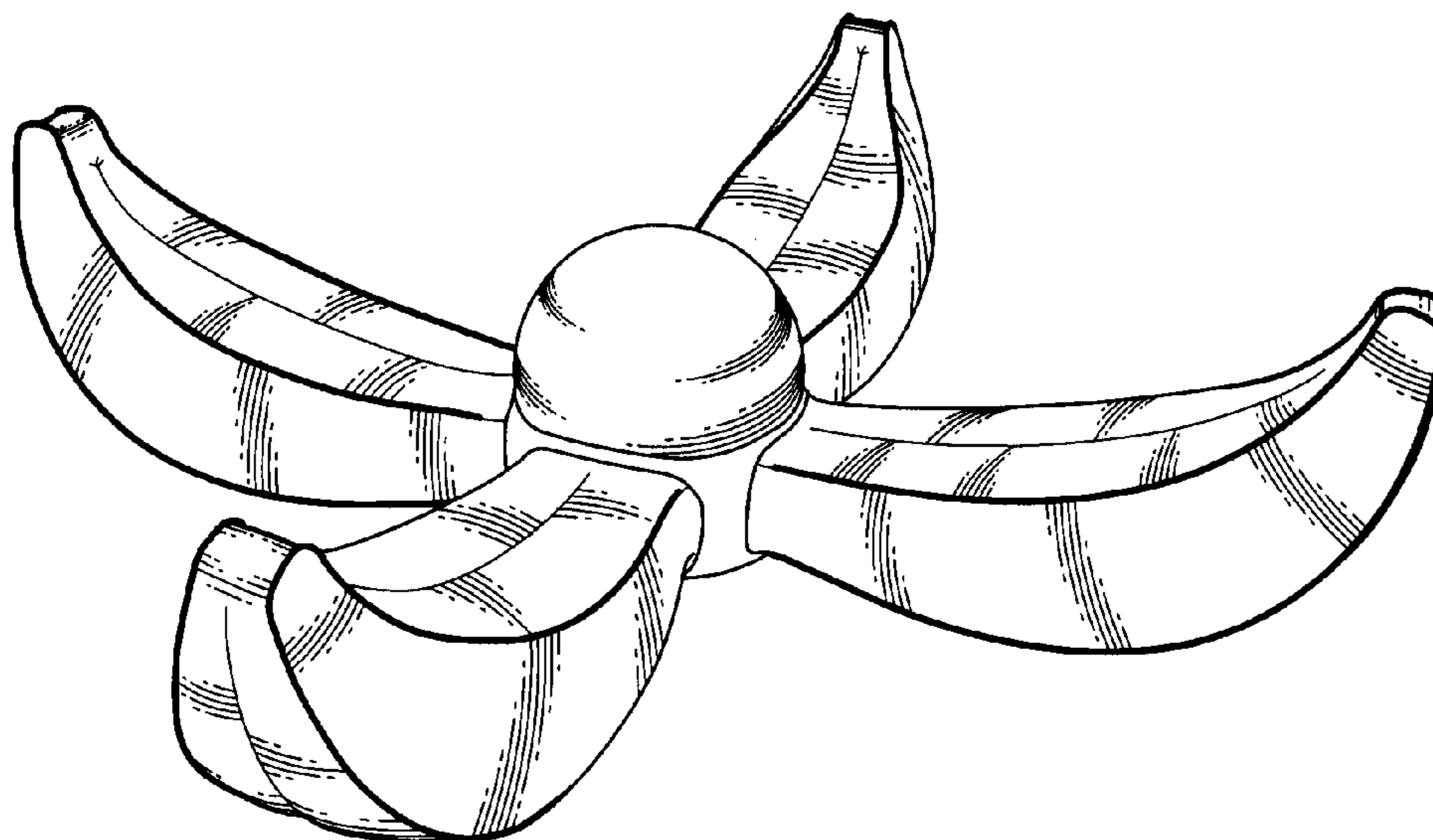
FIG. 2 is a front elevation view thereof, the side and rear elevation views being identical thereto;

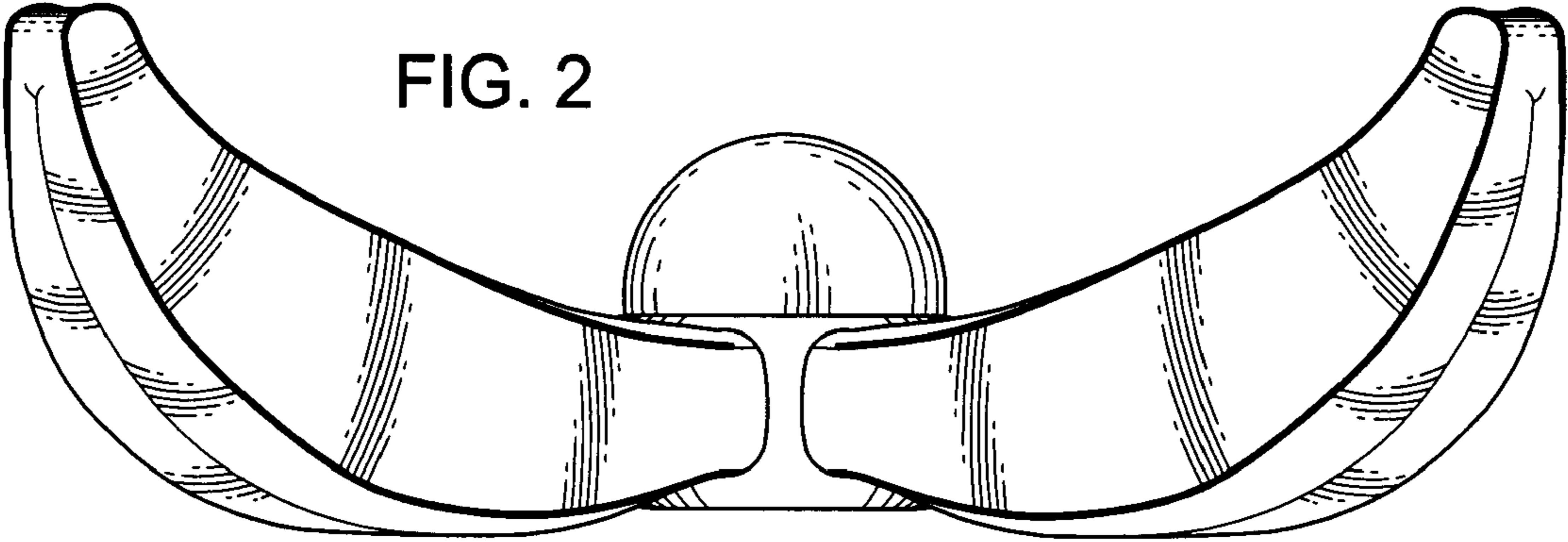
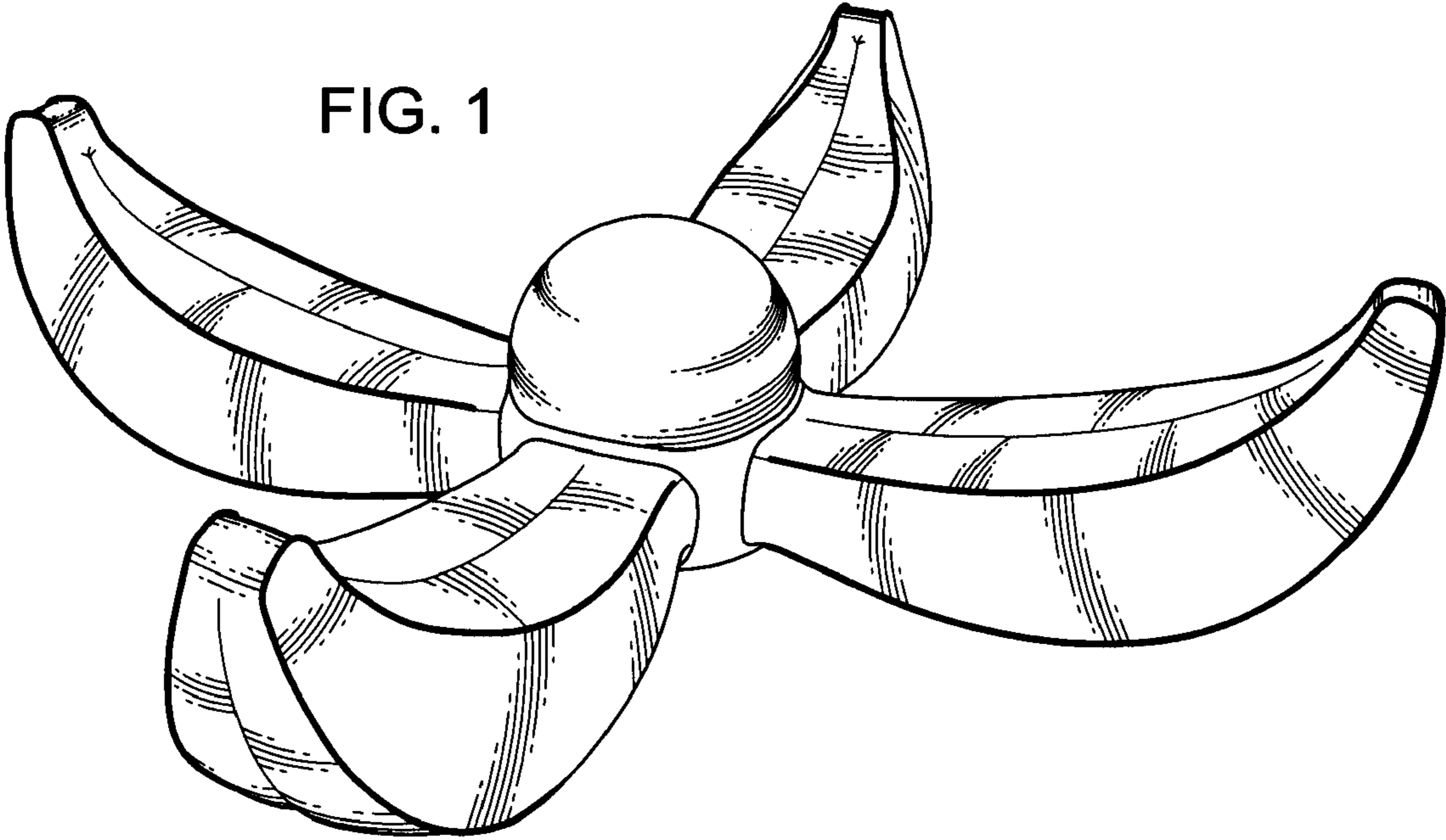
FIG. 3 is a top plan view thereof; and,

FIG. 4 is a bottom plan view thereof. The broken lines in FIG. 4 are included for the purpose of illustrating a portion of the water float toy that forms no part of the claimed design.

The appearance within the unshaded circular area of FIG. 4 forms no part of the claimed design.

1 Claim, 3 Drawing Sheets





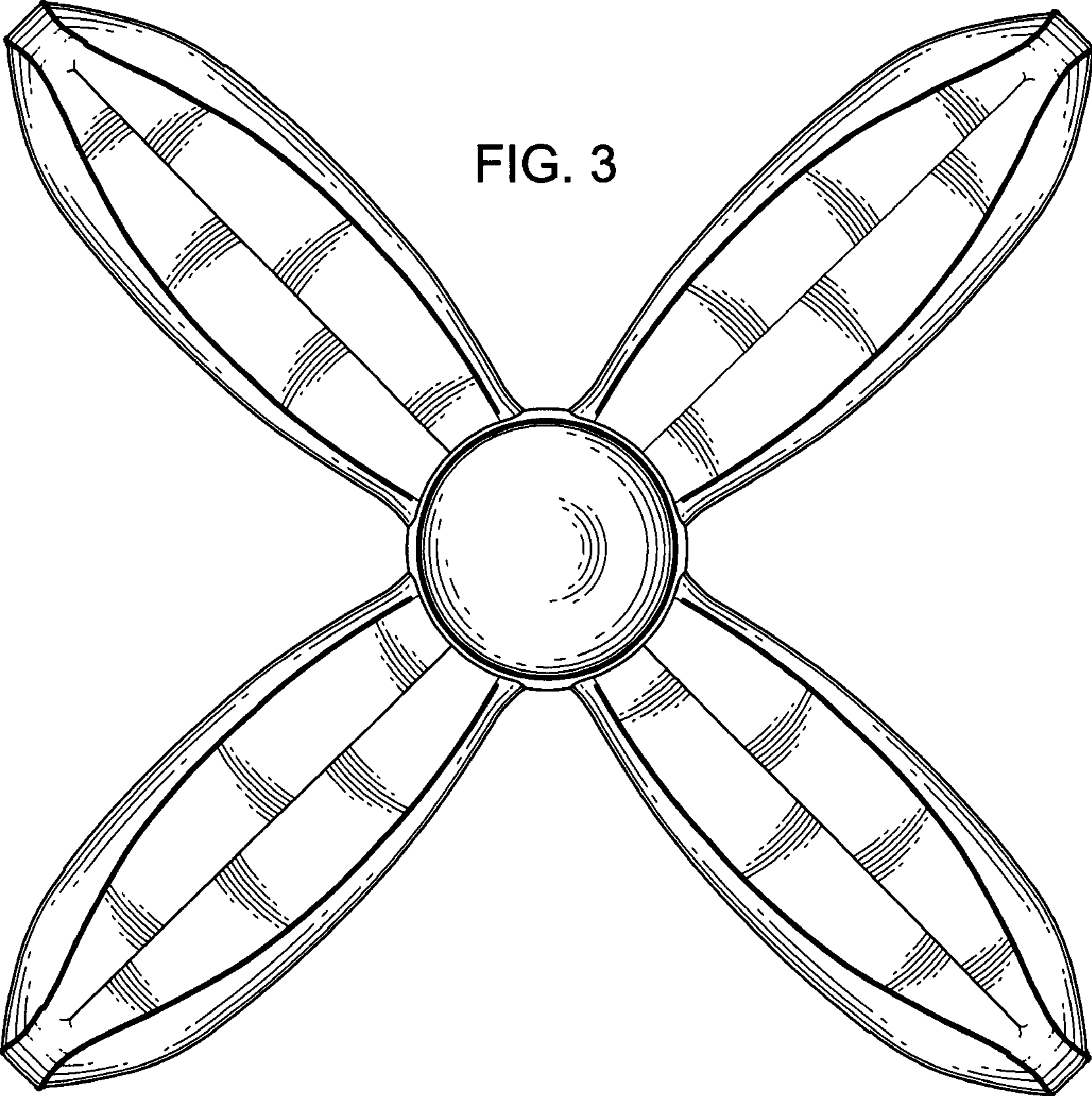


FIG. 3

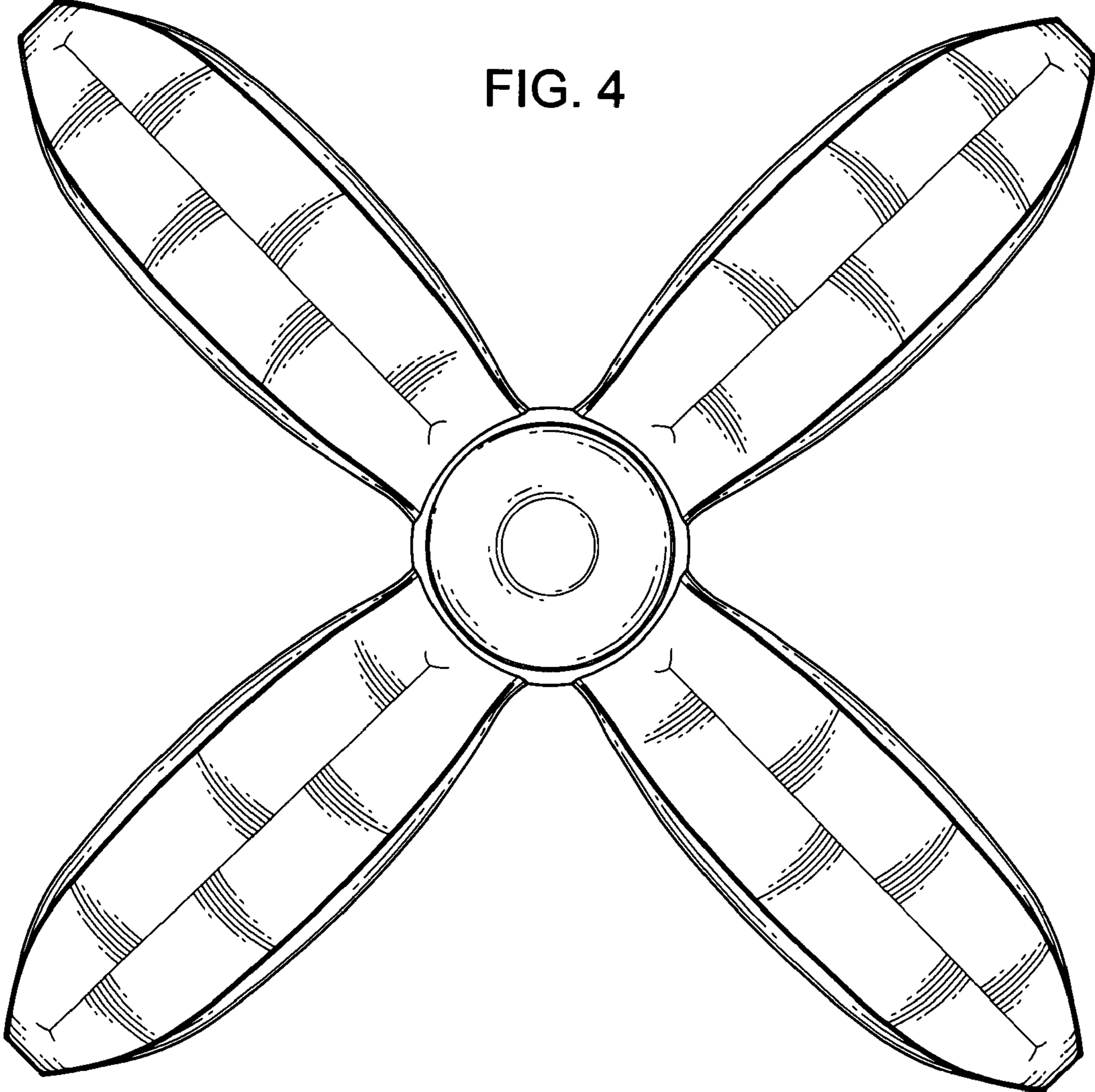


FIG. 4