



US00D526686S

(12) **United States Design Patent**  
**Luciano, Jr. et al.**

(10) **Patent No.:** **US D526,686 S**

(45) **Date of Patent:** **\*\* Aug. 15, 2006**

(54) **COMBINED BOLSTER AND PRINTER FOR GAMING MACHINES**

(75) Inventors: **Robert A. Luciano, Jr.**, Reno, NV (US); **Timothy F. Kelley**, Reno, NV (US); **Michael J. Souza**, Reno, NV (US)

(73) Assignee: **Sierra Design Group**, Las Vegas, NV (US)

(\*\*) Term: **14 Years**

(21) Appl. No.: **29/192,375**

(22) Filed: **Oct. 23, 2003**

**Related U.S. Application Data**

(63) Continuation-in-part of application No. 29/149,465, filed on Oct. 9, 2001, now abandoned, which is a continuation-in-part of application No. 29/135,228, filed on Jan. 4, 2001, now abandoned.

(51) **LOC (8) Cl.** ..... **21-01**

(52) **U.S. Cl.** ..... **D21/333**

(58) **Field of Classification Search** ..... D21/324, D21/333, 364, 370, 385; 463/13, 16-18, 463/20, 25; D18/50, 53-55, 56; 400/613, 400/613.1-613.4, 690.1-690.4, 691-694; D99/28

See application file for complete search history.

(56) **References Cited**

**U.S. PATENT DOCUMENTS**

D415,535 S \* 10/1999 Heidel ..... D21/385

D430,598 S \* 9/2000 Gerstein et al. .... D18/55  
D450,094 S \* 11/2001 Hedrick et al. .... D21/369  
D451,152 S \* 11/2001 Hedrick et al. .... D21/370  
D451,153 S \* 11/2001 Hedrick et al. .... D21/385  
6,315,660 B1 \* 11/2001 DeMar et al. .... 463/16  
D456,587 S \* 4/2002 Kit et al. .... D99/28  
D461,843 S \* 8/2002 Hattori et al. .... D18/50

\* cited by examiner

*Primary Examiner*—Louis S. Zarfaz

*Assistant Examiner*—Anhdao Doan

(74) *Attorney, Agent, or Firm*—Brown Raysman Millstein Felder & Steiner LLP

(57) **CLAIM**

The ornamental design for a combined bolster and printer for gaming machines, as shown and described.

**DESCRIPTION**

FIG. 1 is a perspective view of a combined bolster and printer for gaming machines, showing our new design;

FIG. 2 is a front elevation view thereof;

FIG. 3 is a top plan view thereof;

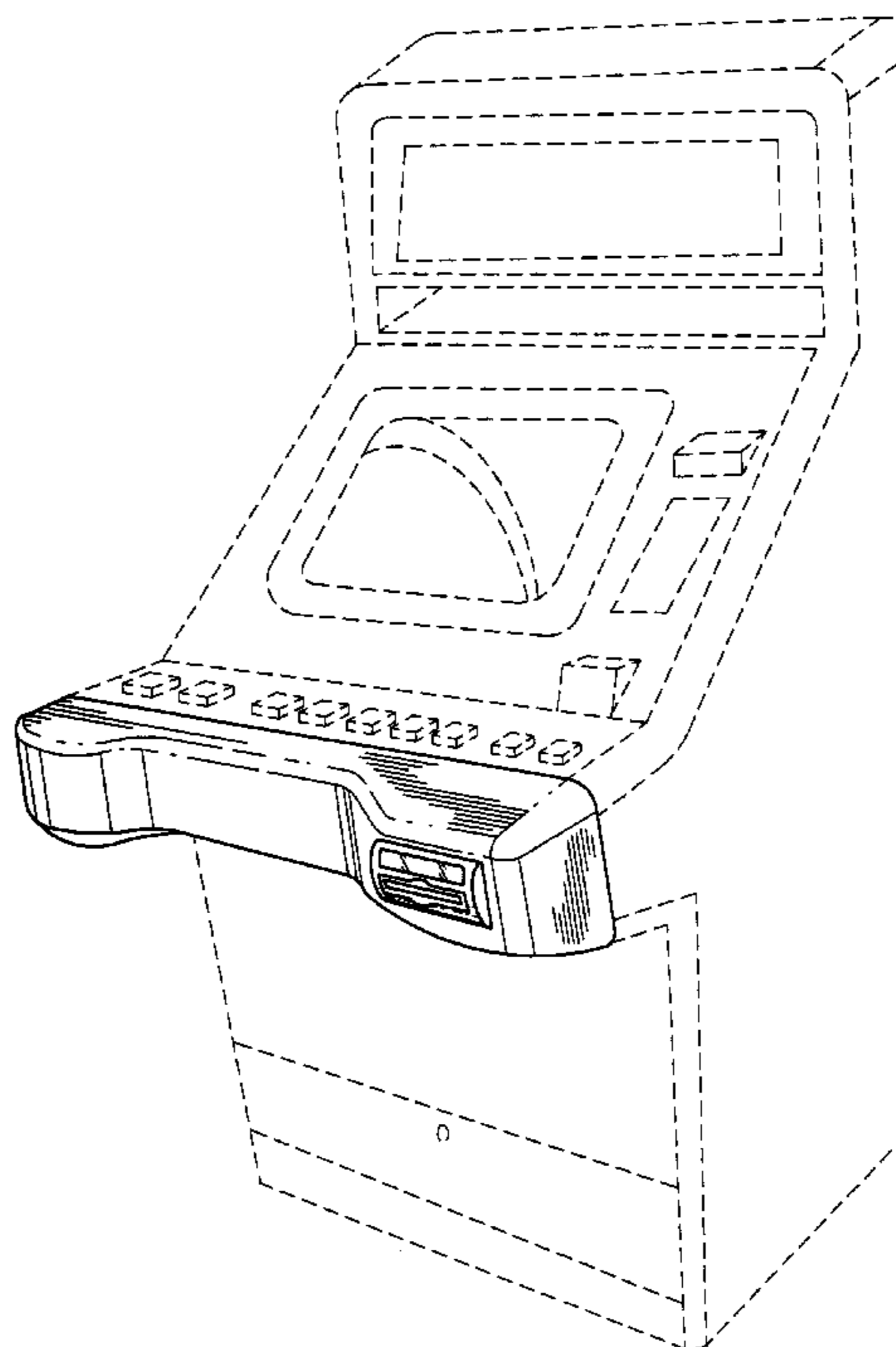
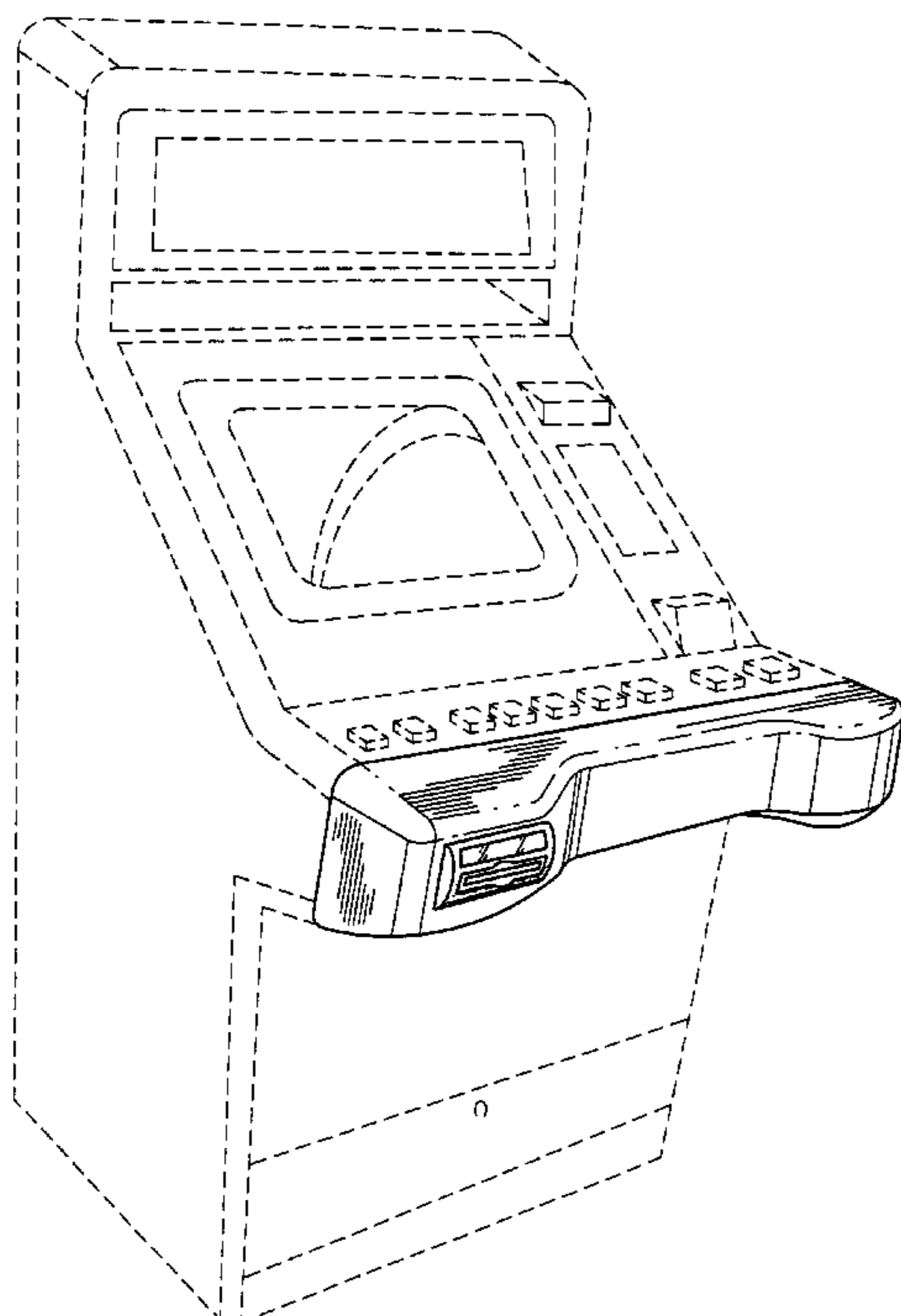
FIG. 4 is a perspective view of a second embodiment of FIG. 1;

FIG. 5 is a front elevation view of FIG. 4; and,

FIG. 6 is a top plan view of FIG. 4.

The broken lines are for illustrative purposes only and form no part of the claimed design.

**1 Claim, 6 Drawing Sheets**



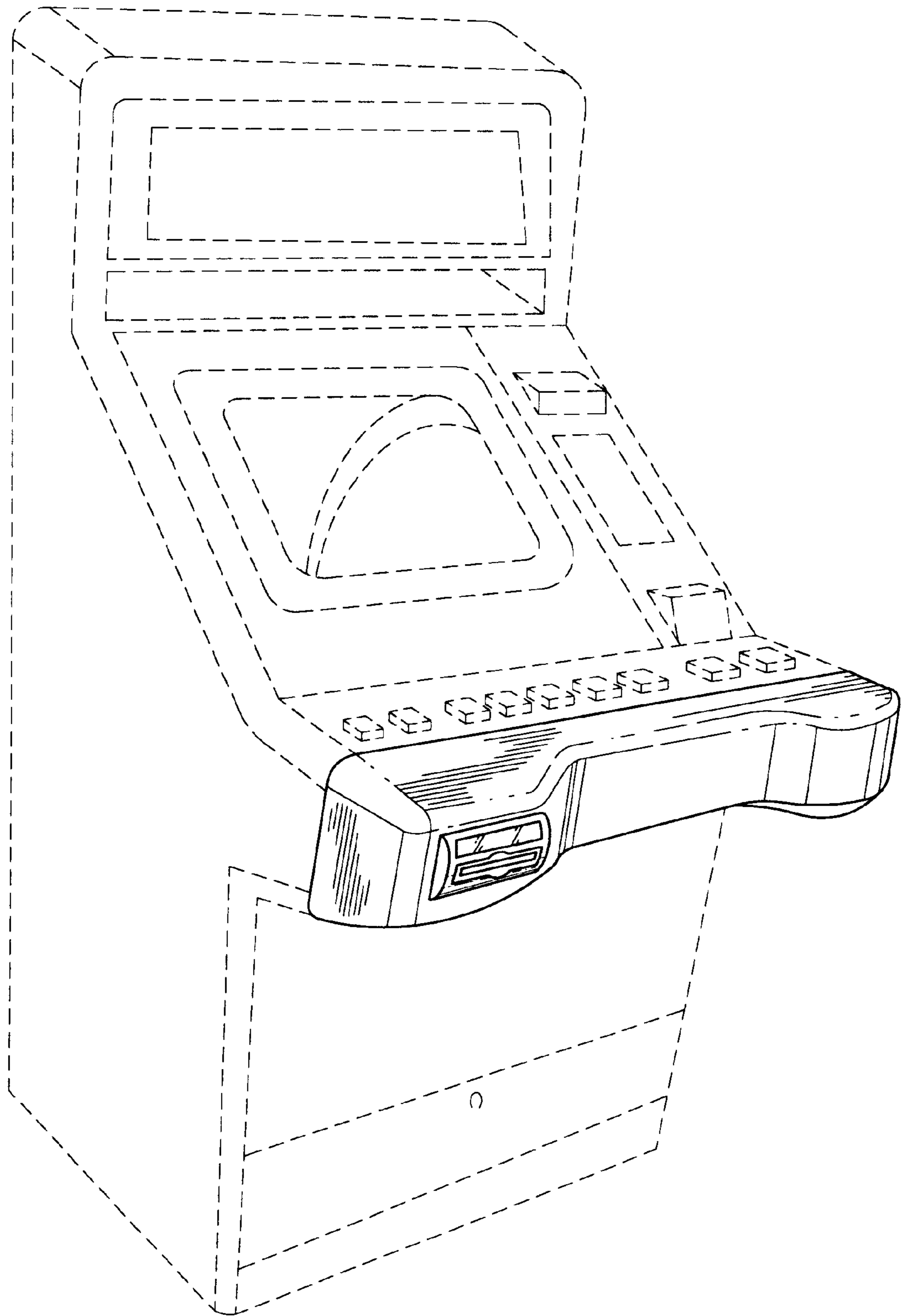


FIG. 1

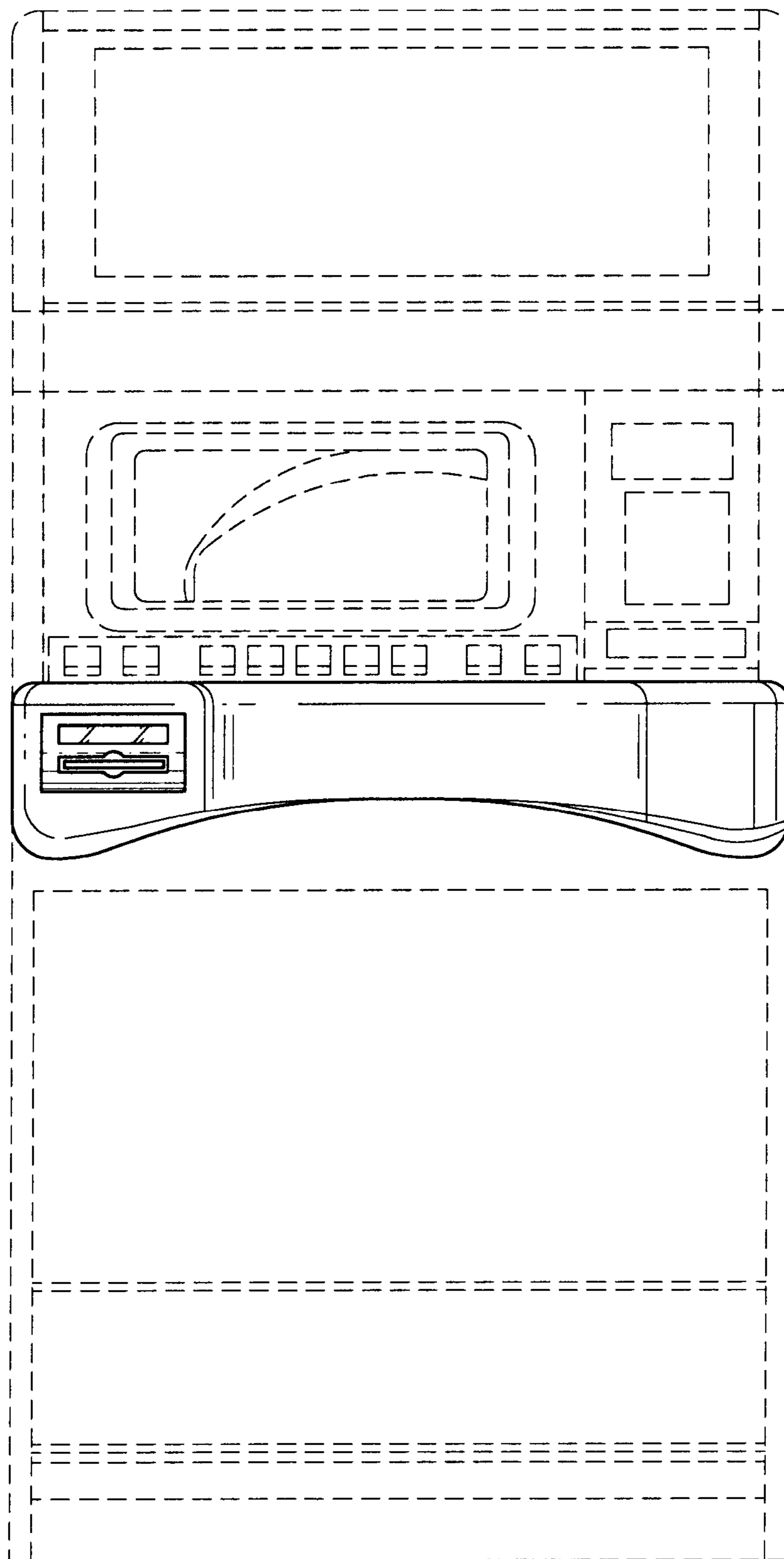
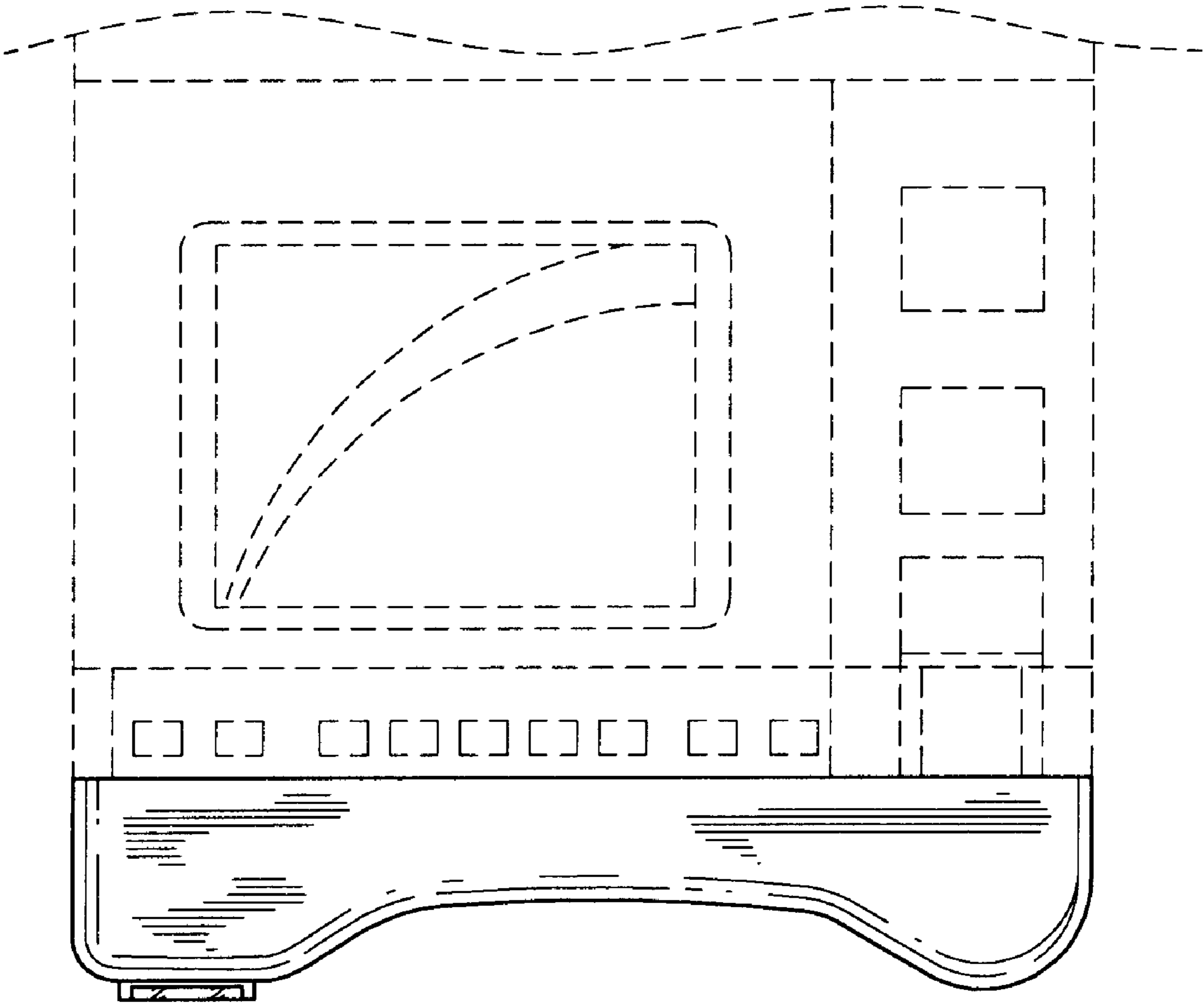


FIG. 2



*FIG. 3*

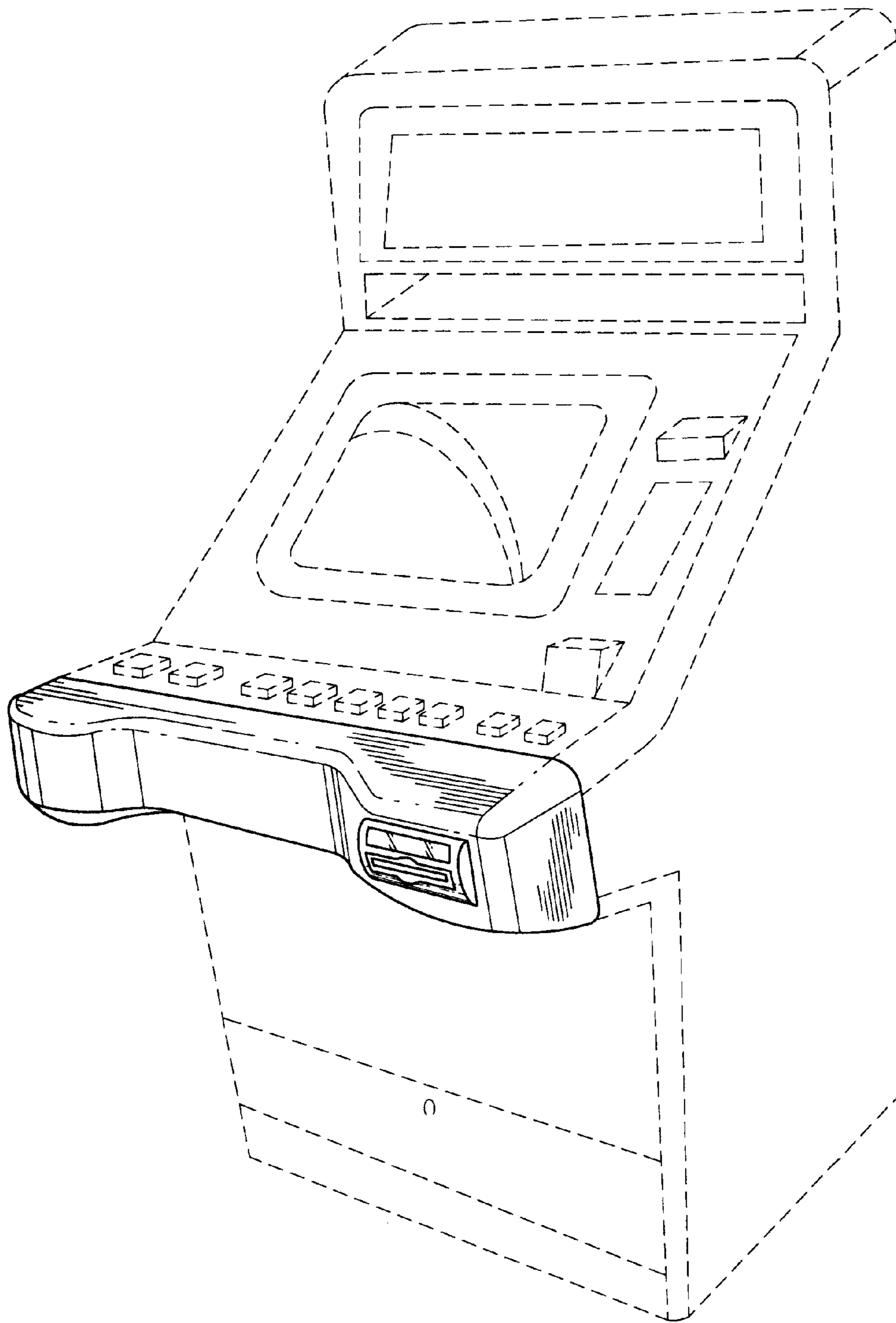


FIG. 4

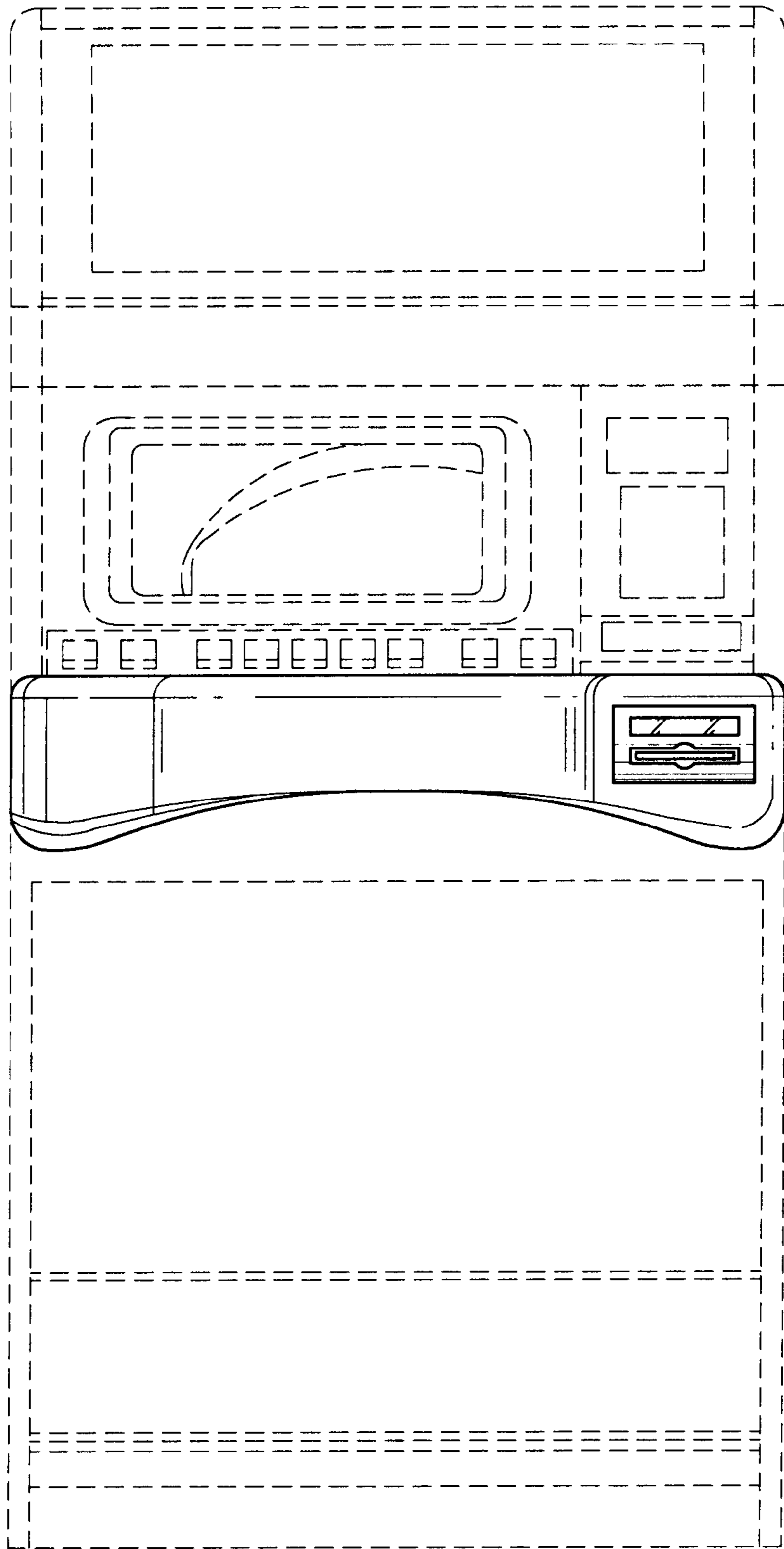
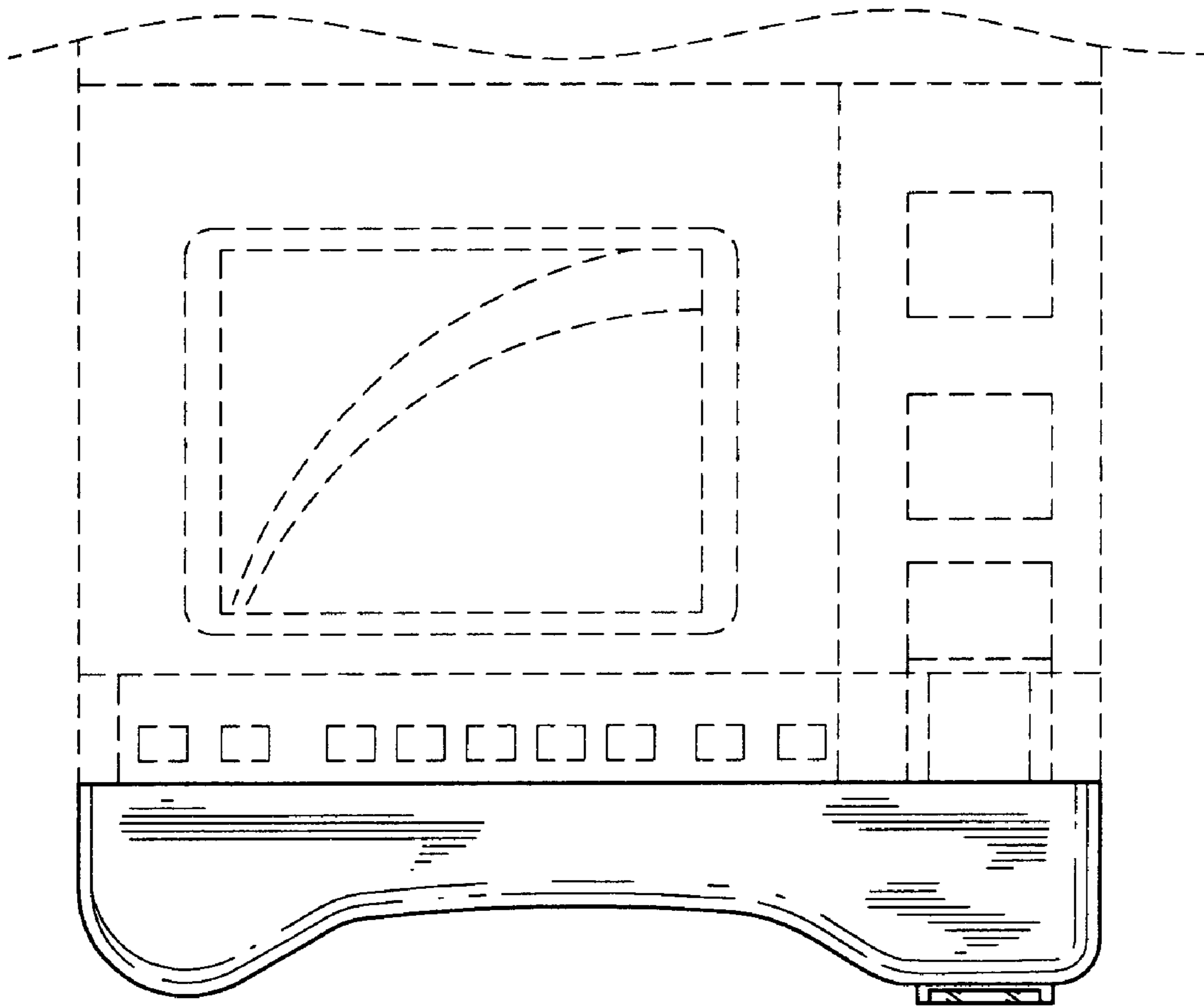


FIG. 5



*FIG. 6*