



US00D526680S

(12) **United States Design Patent**  
**LoFaso**

(10) **Patent No.:** **US D526,680 S**

(45) **Date of Patent:** **\*\* Aug. 15, 2006**

(54) **CONSOLE WITH INTERNAL PRINTER  
MOUNTING SLIDE OUT TRAY**

(76) Inventor: **Jim LoFaso**, 75 Jacksonville Rd., P.O.  
Box 2099, Warminster, PA (US) 18974

(\*\*) Term: **14 Years**

(21) Appl. No.: **29/228,453**

(22) Filed: **Apr. 25, 2005**

(51) **LOC (8) Cl.** ..... **18-02**

(52) **U.S. Cl.** ..... **D18/59; D14/451; D14/447**

(58) **Field of Classification Search** ..... D18/53,  
D18/50, 51, 59, 38, 39; D14/463, 303, 447,  
D14/451; 355/78; 400/613.1-613.4, 691-694,  
400/690.1-690.4; D6/449, 406

See application file for complete search history.

(56) **References Cited**

U.S. PATENT DOCUMENTS

D257,359 S	*	10/1980	Lloyd, Jr.	.....	D18/59
D290,717 S	*	7/1987	Judd	.....	D18/59
D303,794 S	*	10/1989	Brunner	.....	D14/451
D305,330 S	*	1/1990	Walters et al.	.....	D14/451
4,938,447 A	*	7/1990	Schriner	.....	D18/59
D313,614 S	*	1/1991	Hassel et al.	.....	D18/59
5,080,320 A	*	1/1992	Chieng	.....	D18/59

D324,515 S	*	3/1992	Harden et al.	.....	D14/451
D330,044 S	*	10/1992	Egly et al.	.....	D18/59
D339,153 S	*	9/1993	Troy et al.	.....	D18/44
D357,471 S	*	4/1995	Reph	.....	D14/447
D359,179 S	*	6/1995	Cucinotta	.....	D6/449
D406,164 S	*	2/1999	Nemeth	.....	D18/59
D410,249 S	*	5/1999	Paduano et al.	.....	D18/59
D430,165 S	*	8/2000	Lee	.....	D14/451

\* cited by examiner

*Primary Examiner*—Charles A. Rademaker

(74) *Attorney, Agent, or Firm*—Zachary T. Wobensmith, III

(57) **CLAIM**

I claim the ornamental design for a console with internal printer mounting slide out tray, as shown.

**DESCRIPTION**

FIG. 1 is a right side elevational view of a console with internal printer mounting slide out tray showing my new design;

FIG. 2 is a left side elevational view thereof;

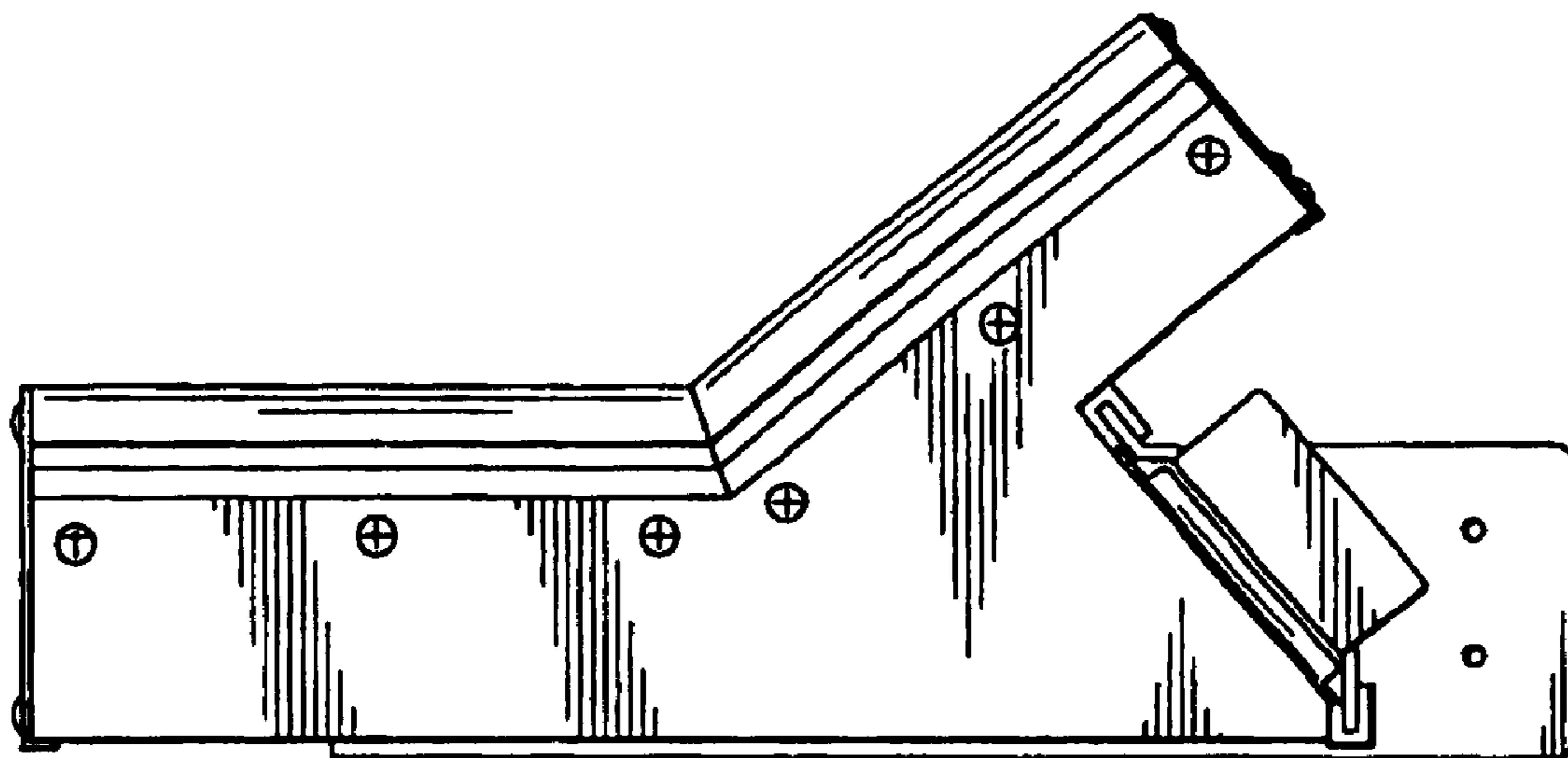
FIG. 3 is a front elevational view thereof;

FIG. 4 is a rear elevational view thereof;

FIG. 5 is a top plan view thereof; and,

FIG. 6 is a bottom plan view thereof.

**1 Claim, 3 Drawing Sheets**



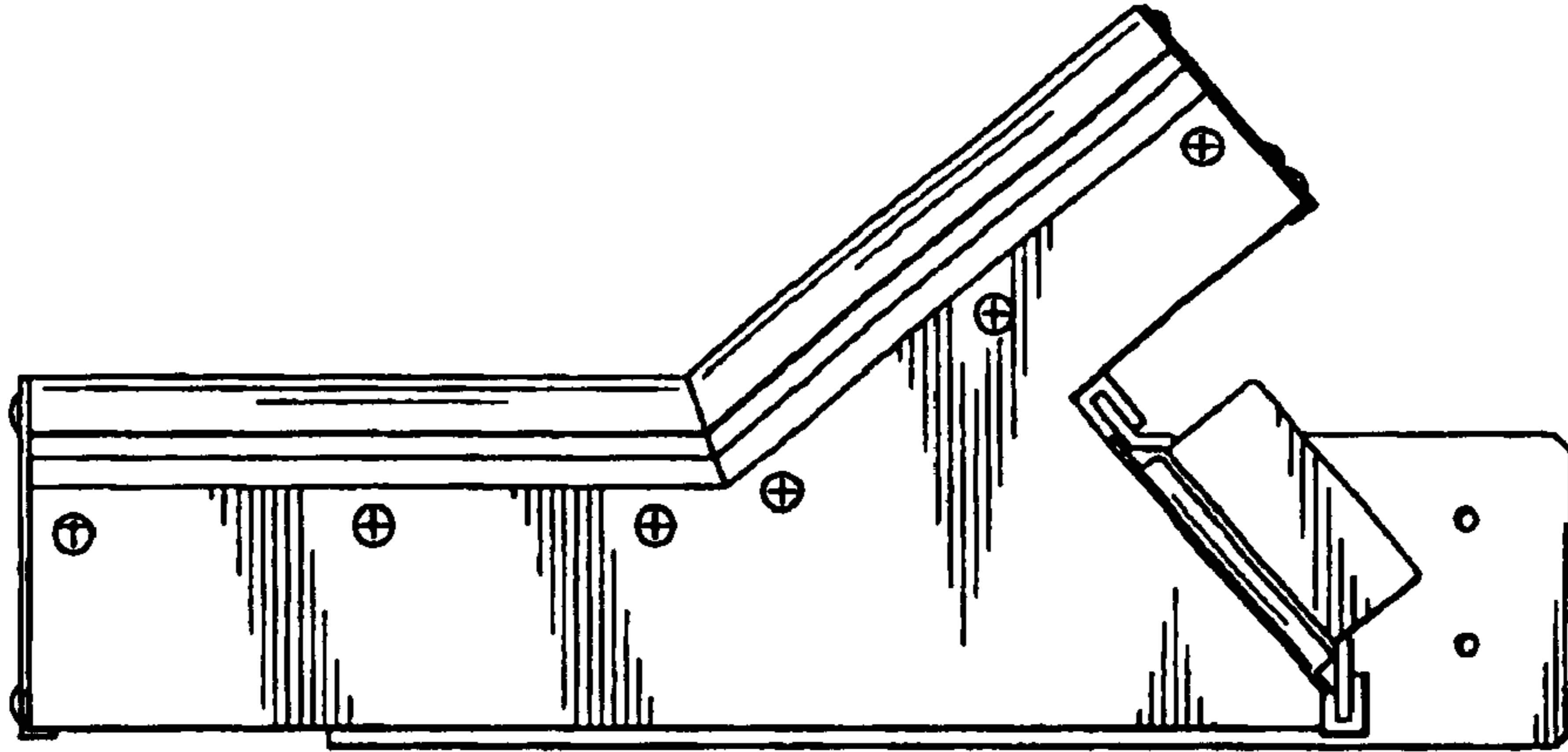


Fig. 1

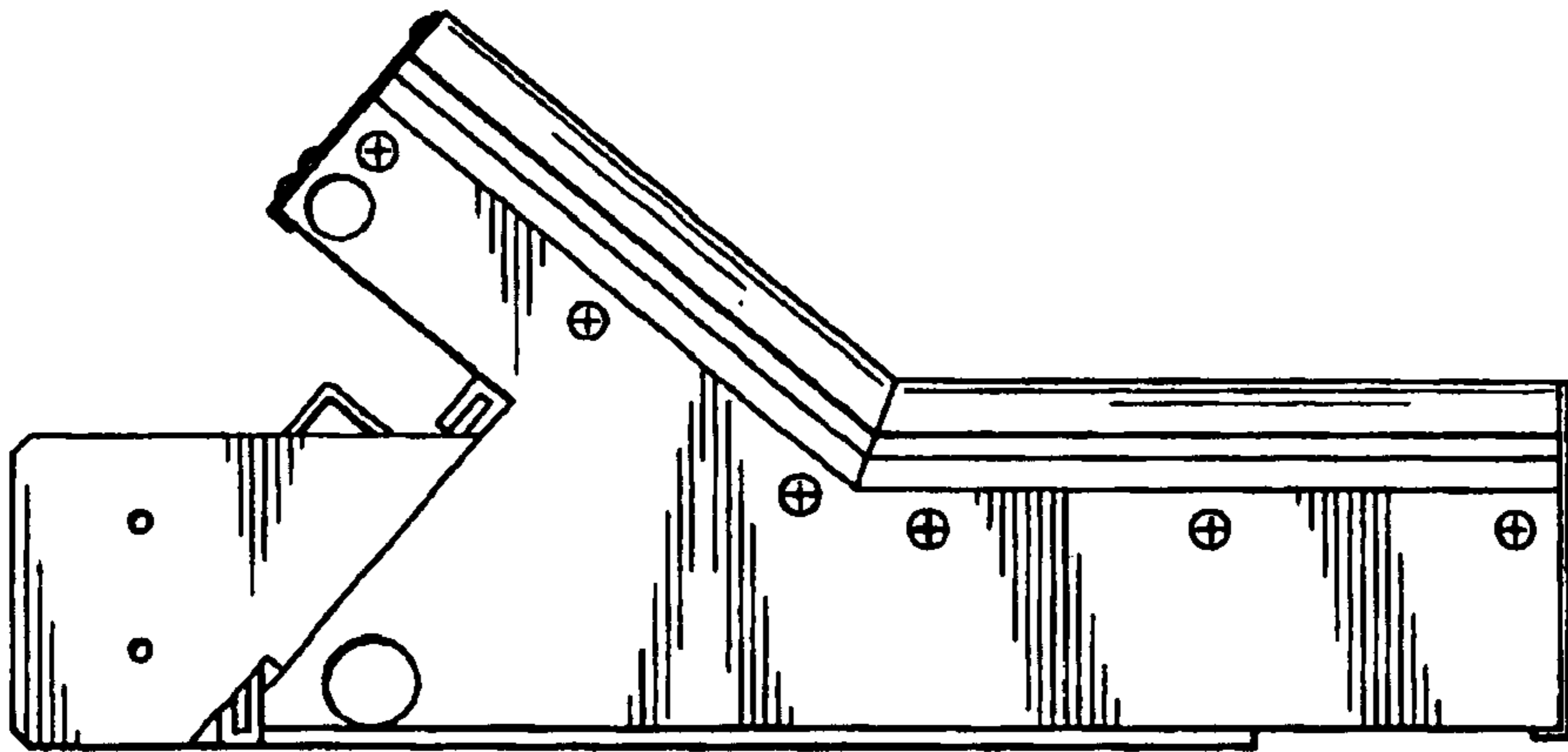


Fig. 2

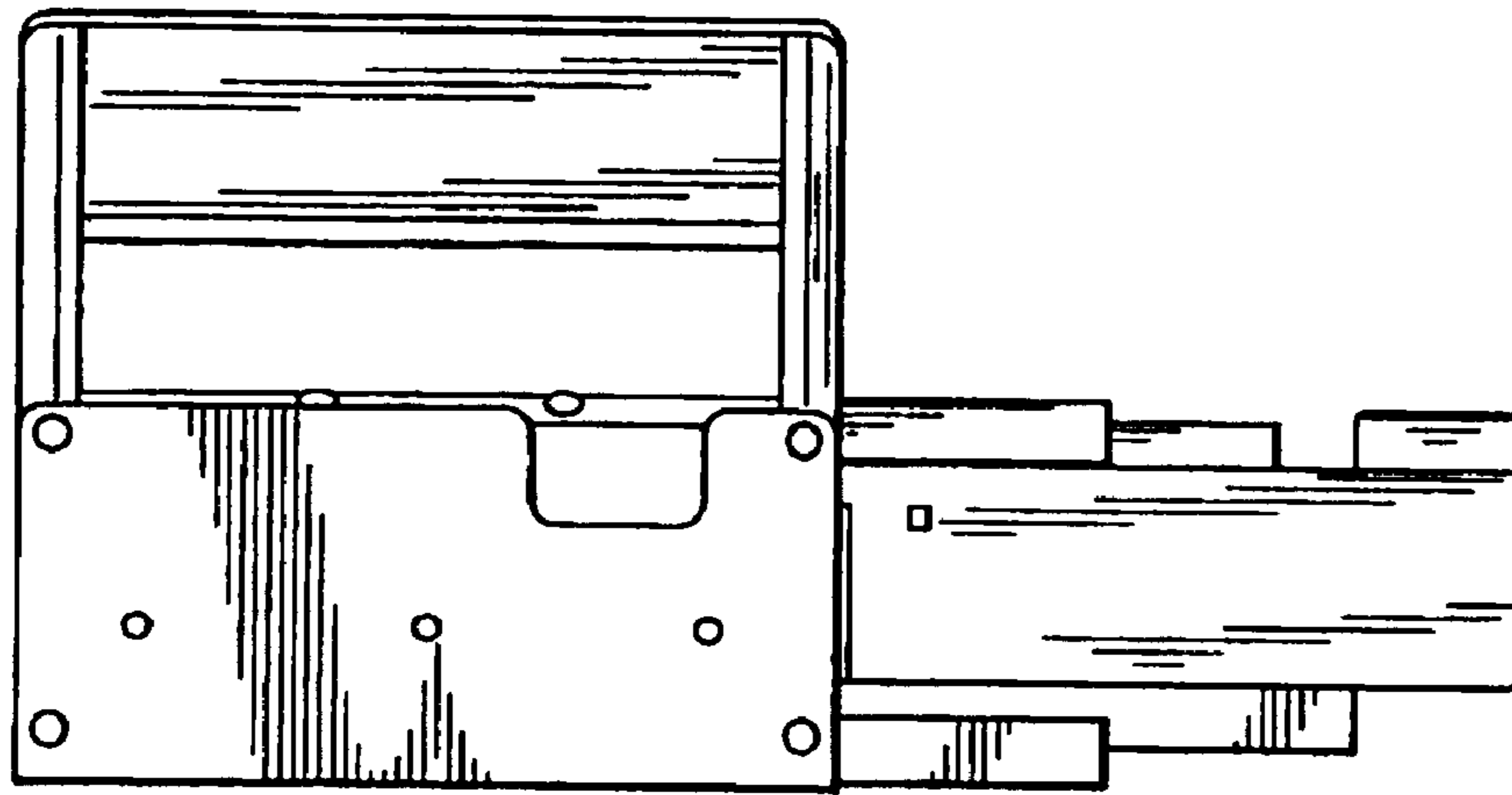


Fig. 3

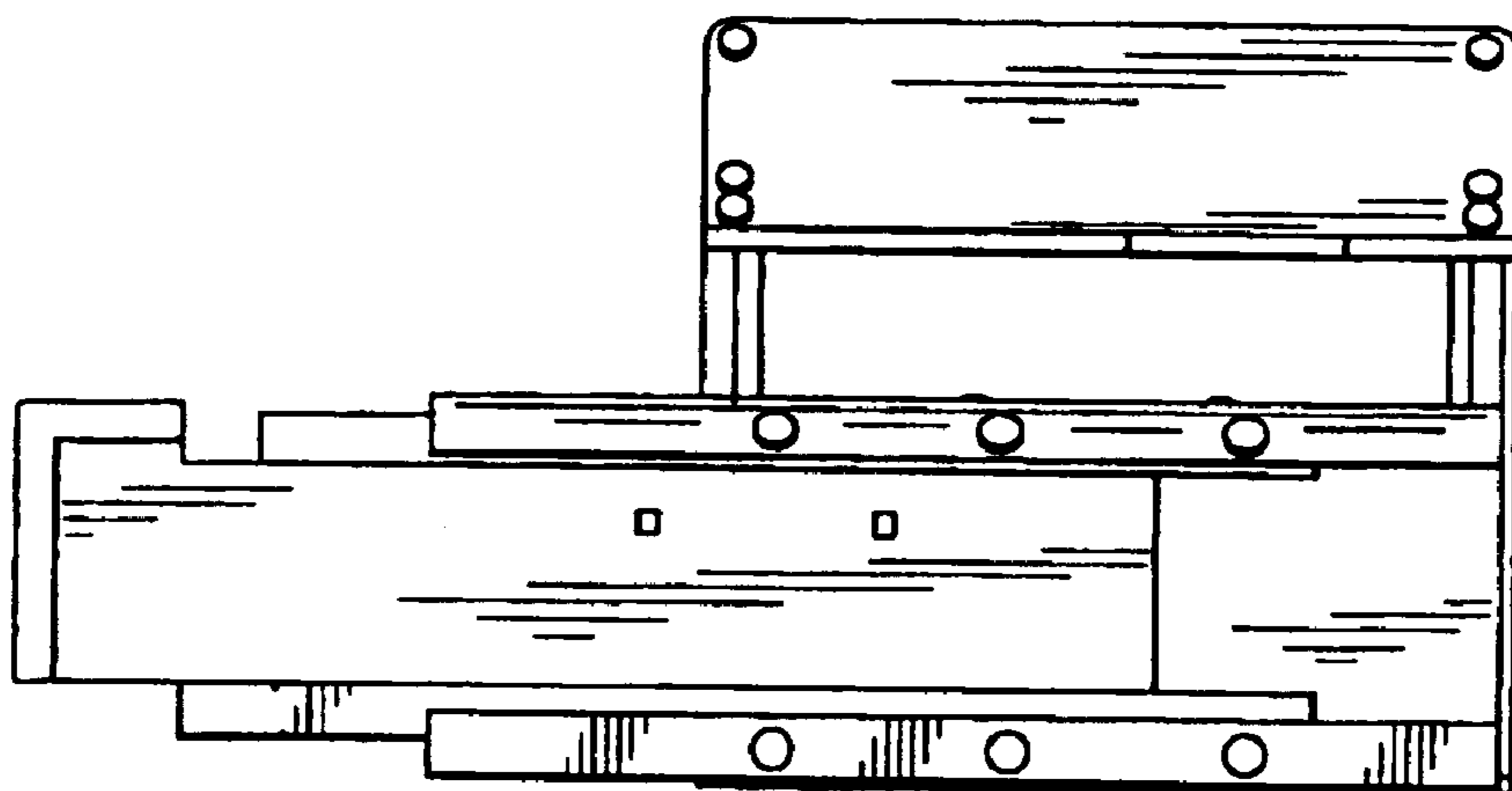


Fig. 4

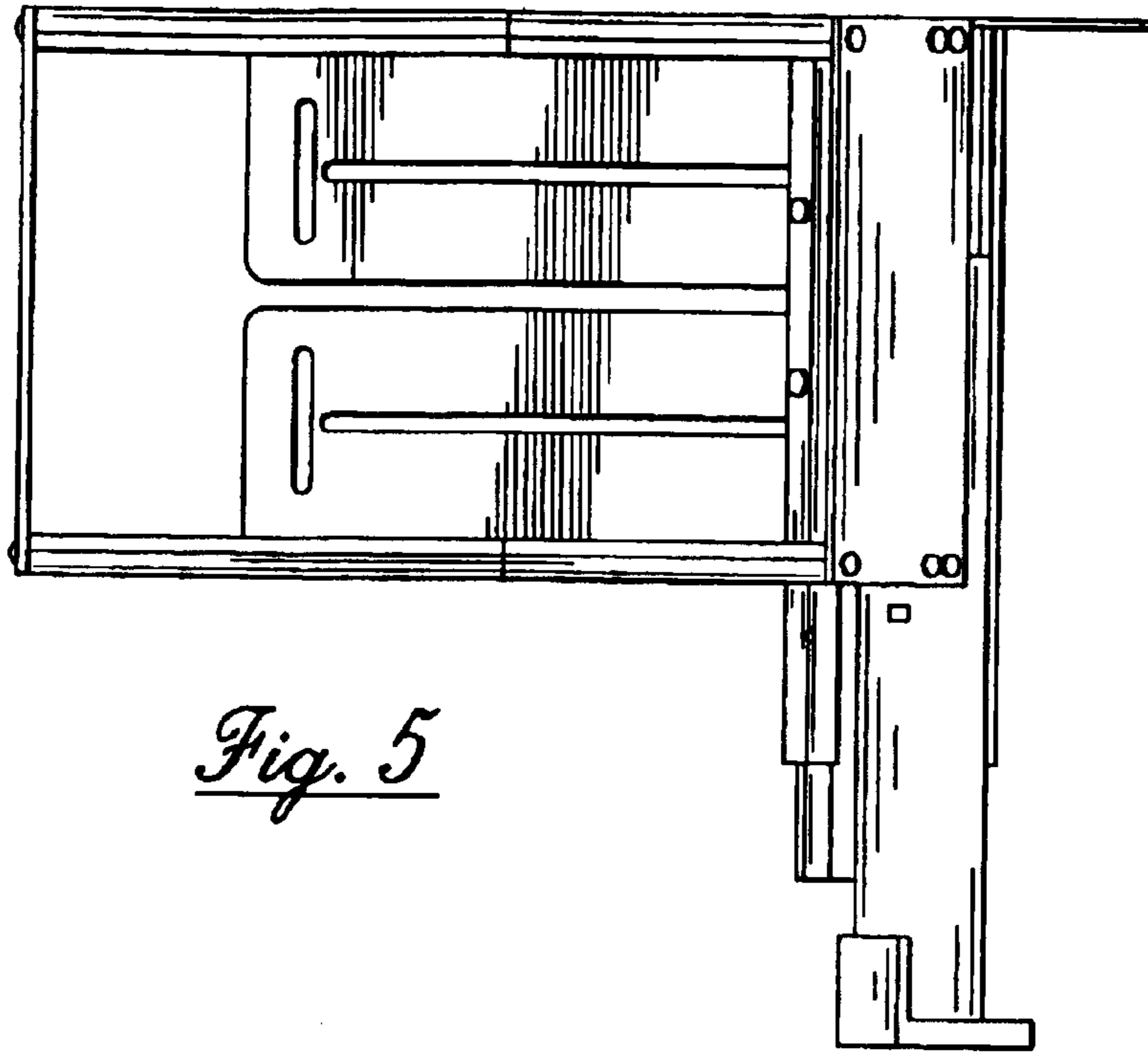


Fig. 5

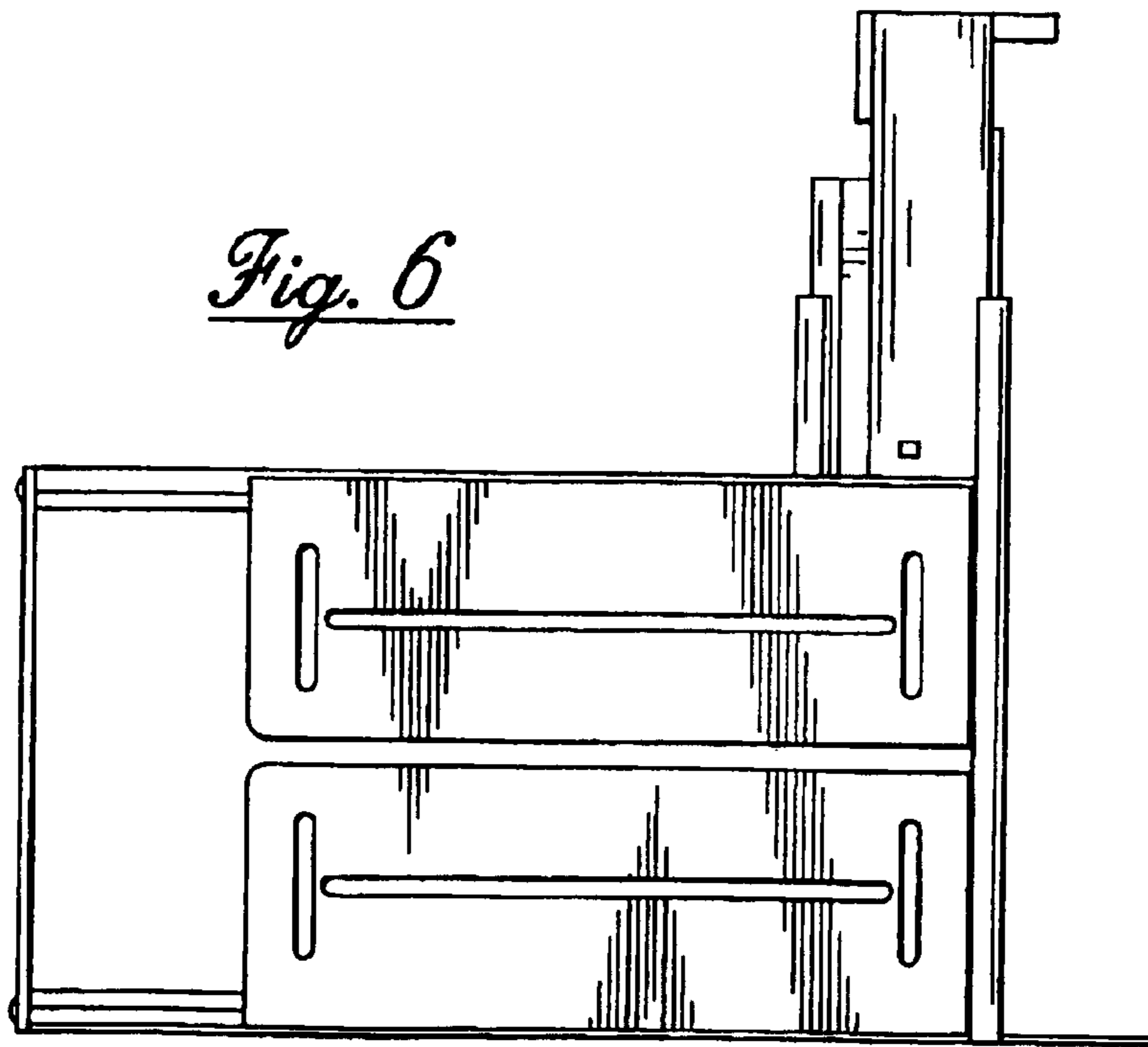


Fig. 6