

US00D526679S

(12) **United States Design Patent**
Hattori

(10) **Patent No.:** **US D526,679 S**

(45) **Date of Patent:** **** Aug. 15, 2006**

(54) **PRINTER**

(75) Inventor: **Mitsuharu Hattori**, Nagoya (JP)

(73) Assignee: **Brother Industries, Ltd.**, Nagoya (JP)

(**) Term: **14 Years**

(21) Appl. No.: **29/204,939**

(22) Filed: **May 7, 2004**

(30) **Foreign Application Priority Data**

Nov. 10, 2003 (JP) 2003-33252

(51) **LOC (8) Cl.** **18-02**

(52) **U.S. Cl.** **D18/56**

(58) **Field of Classification Search** D18/19,
D18/36-41, 50, 53, 54, 54.1, 55; D14/420-425,
D14/462-470; 400/613, 613.1-613.4, 690.1-690.4,
400/691-694

See application file for complete search history.

(56) **References Cited**

U.S. PATENT DOCUMENTS

- D427,627 S * 7/2000 Ikenaga D18/50
- D431,594 S * 10/2000 Watanabe et al. D18/41
- D436,371 S * 1/2001 Shimamura D18/50
- D440,975 S * 4/2001 Lin et al. D14/425

D464,656 S * 10/2002 Lin et al. D14/425

D479,556 S * 9/2003 Hattori et al. D14/464

D483,802 S * 12/2003 Hattori D18/50

D491,219 S * 6/2004 Shimamura D18/50

D502,732 S * 3/2005 Ishigami D18/50

* cited by examiner

Primary Examiner—Louis S. Zarfes

Assistant Examiner—Anhdao Doan

(74) *Attorney, Agent, or Firm*—Oliff & Berridge, PLC

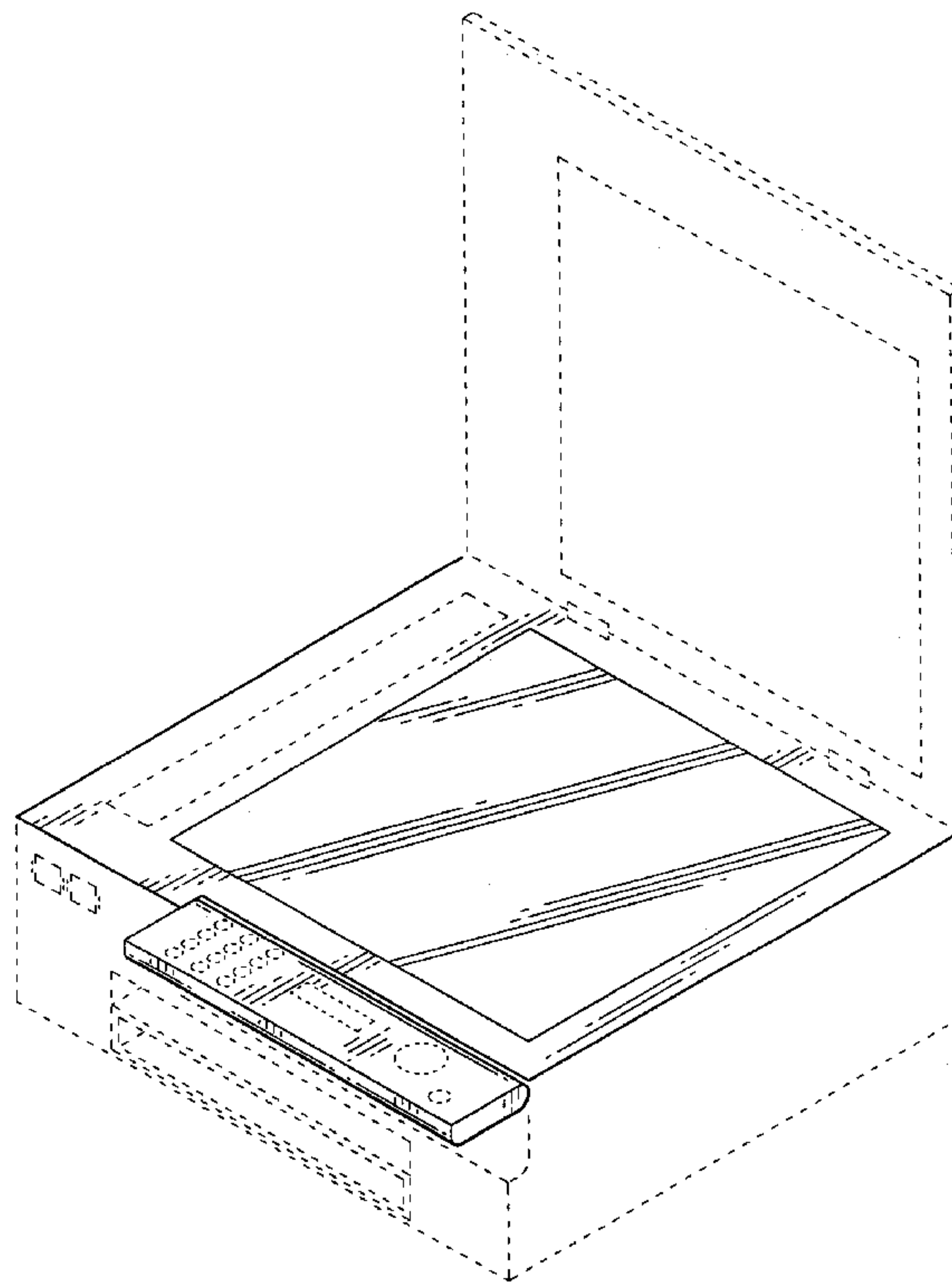
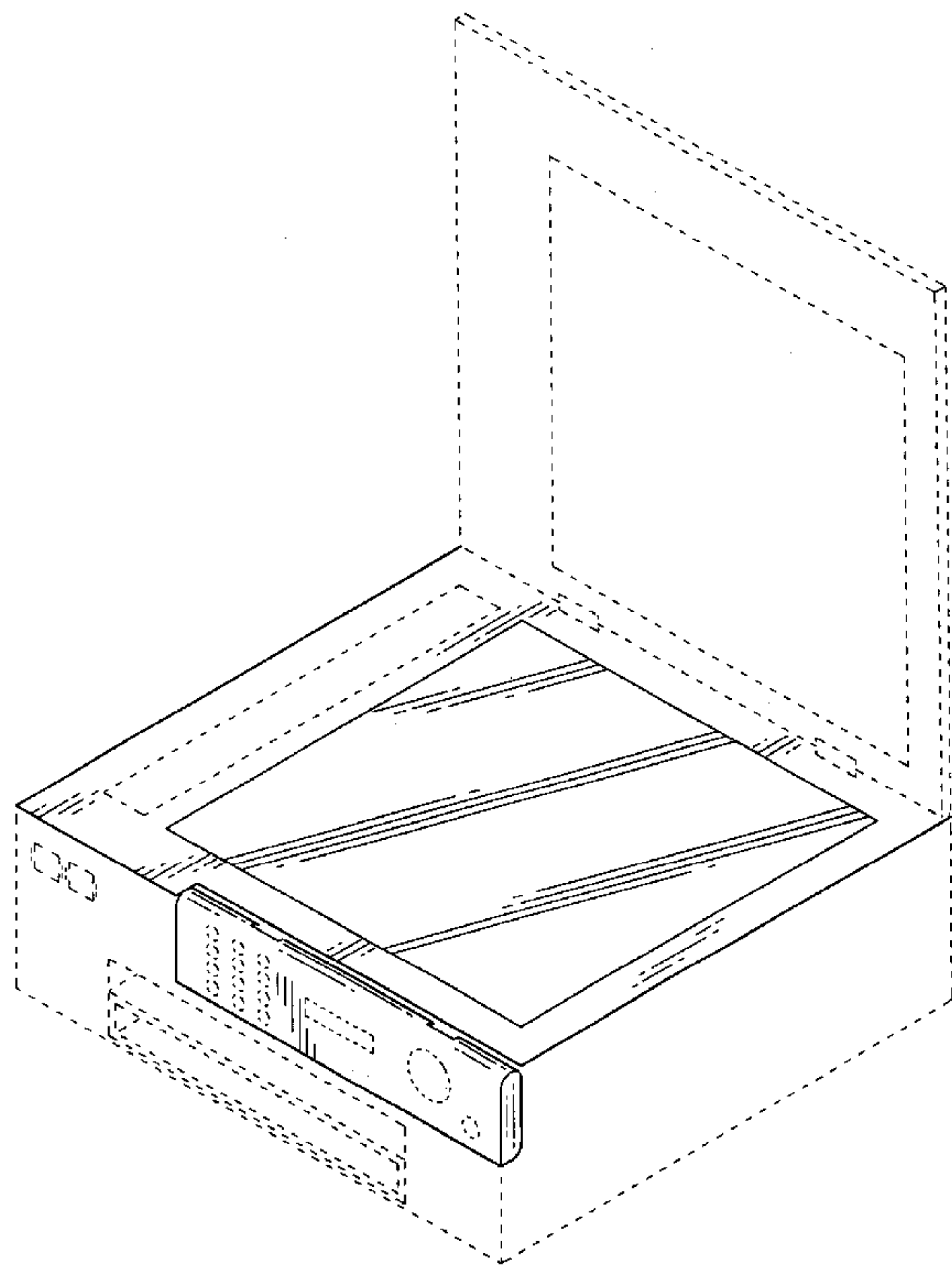
(57) **CLAIM**

The ornamental design for a printer, as shown and described.

DESCRIPTION

FIG. 1 is a front view of a printer;
 FIG. 2 is right-side view thereof;
 FIG. 3 is a left-side view thereof;
 FIG. 4 is a rear view thereof;
 FIG. 5 is a perspective view thereof;
 FIG. 6 is a perspective view like FIG. 5 with a scanner cover in an open position; and,
 FIG. 7 is a perspective view like FIG. 5 with a scanner cover and control panel in open positions.
 The broken line showing is for illustrative purposes only and does not form part of the claimed design.

1 Claim, 5 Drawing Sheets



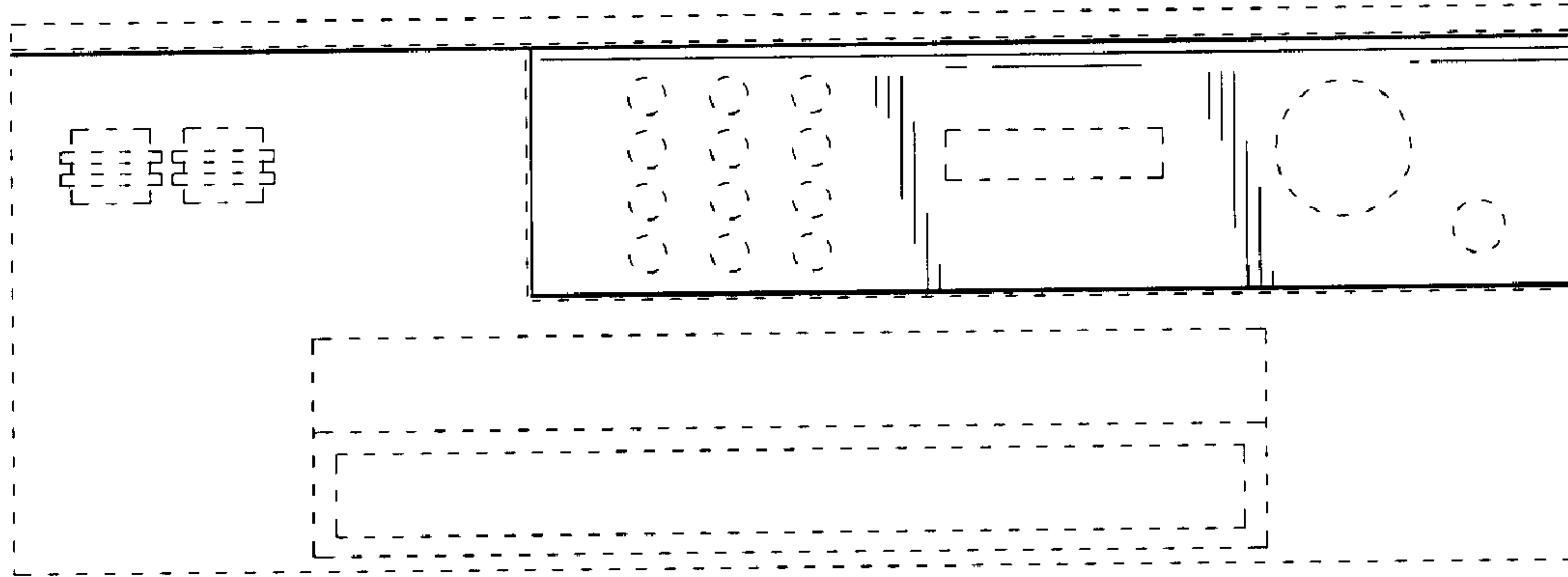


Fig. 1

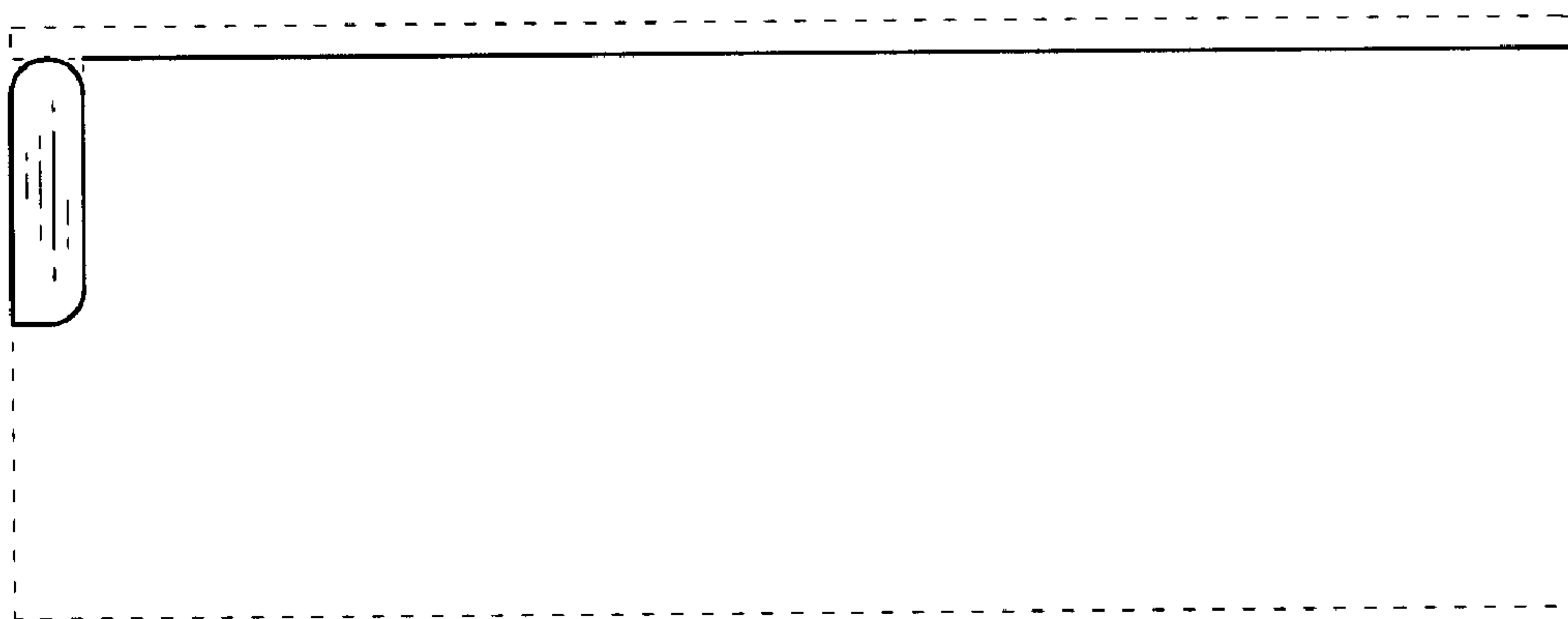


Fig. 2

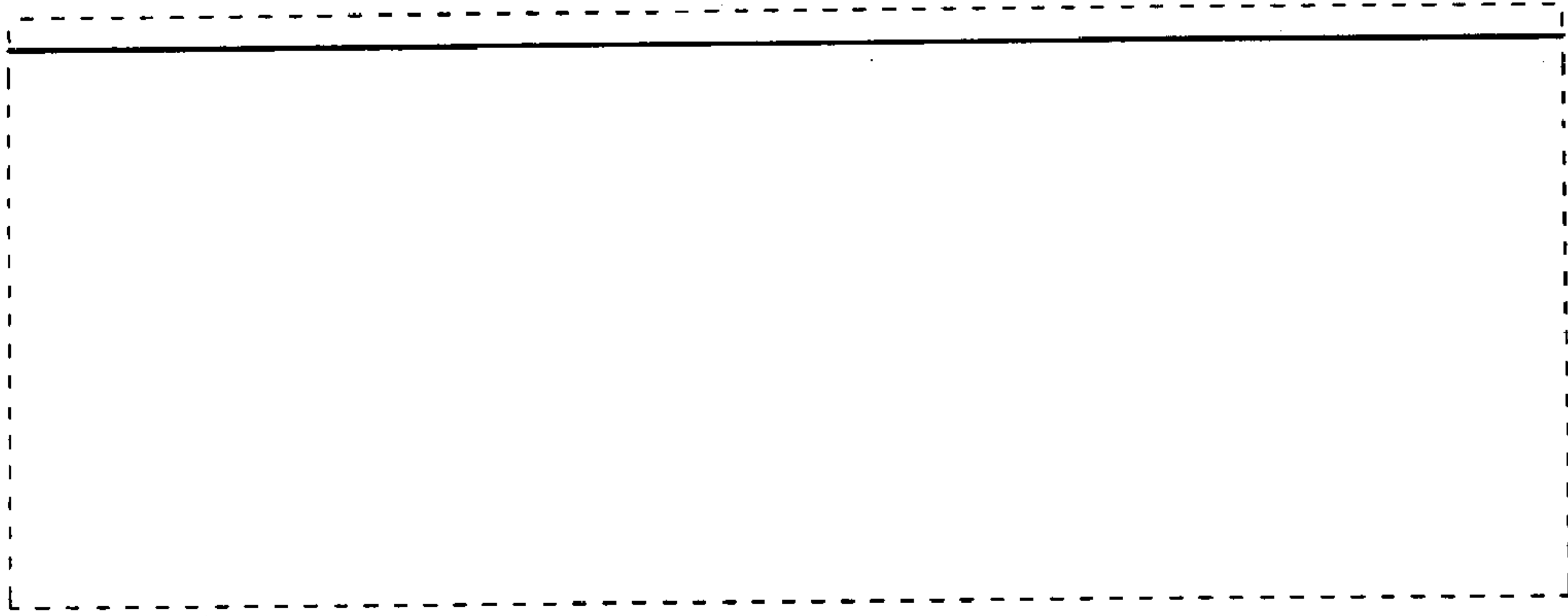


Fig. 3

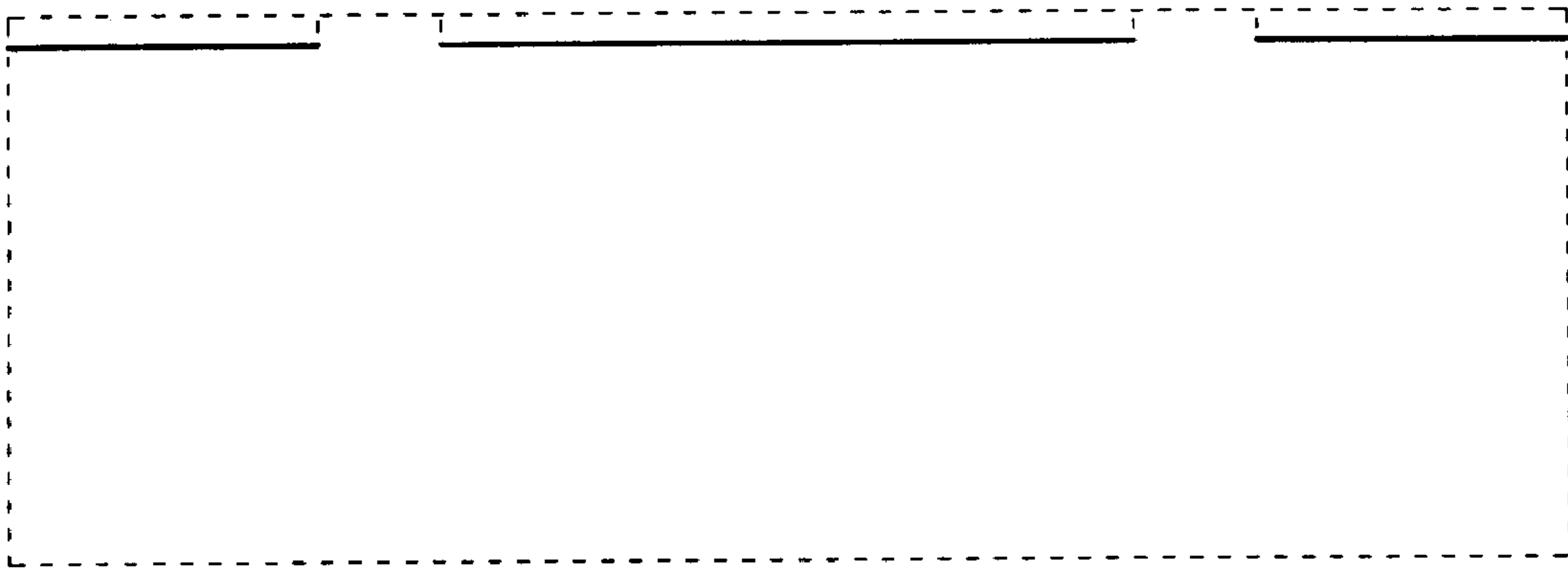


Fig. 4

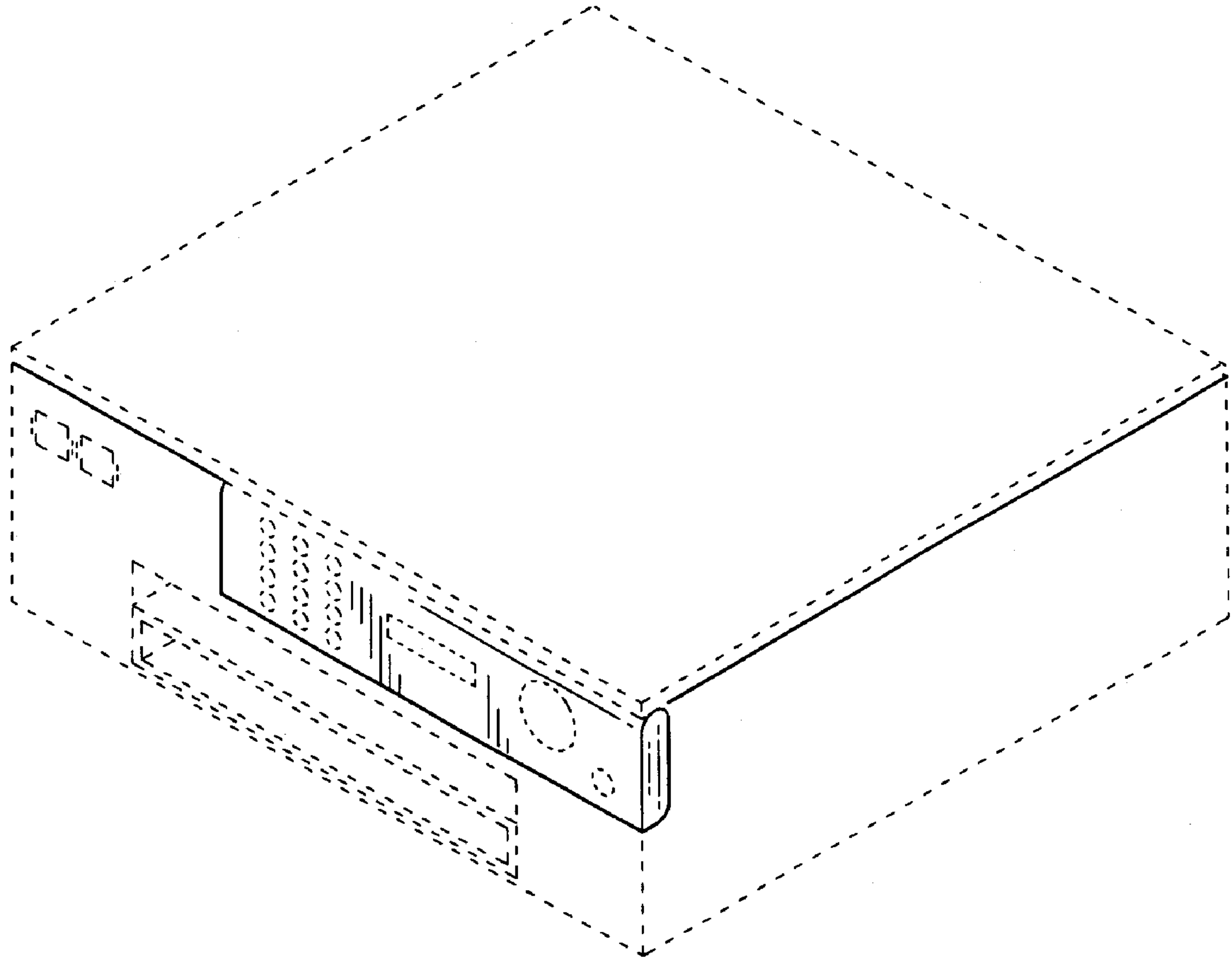


Fig. 5

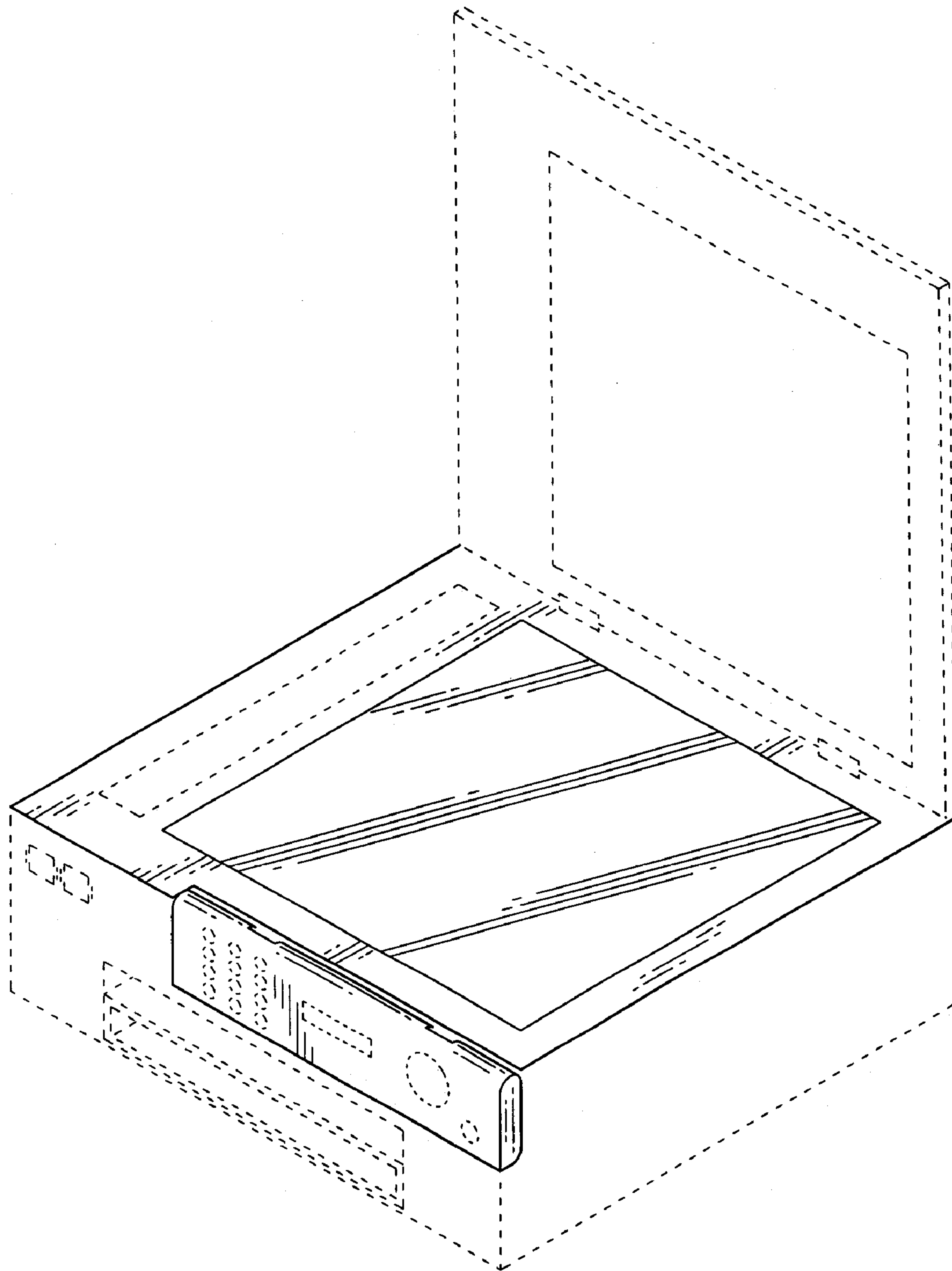


Fig. 6

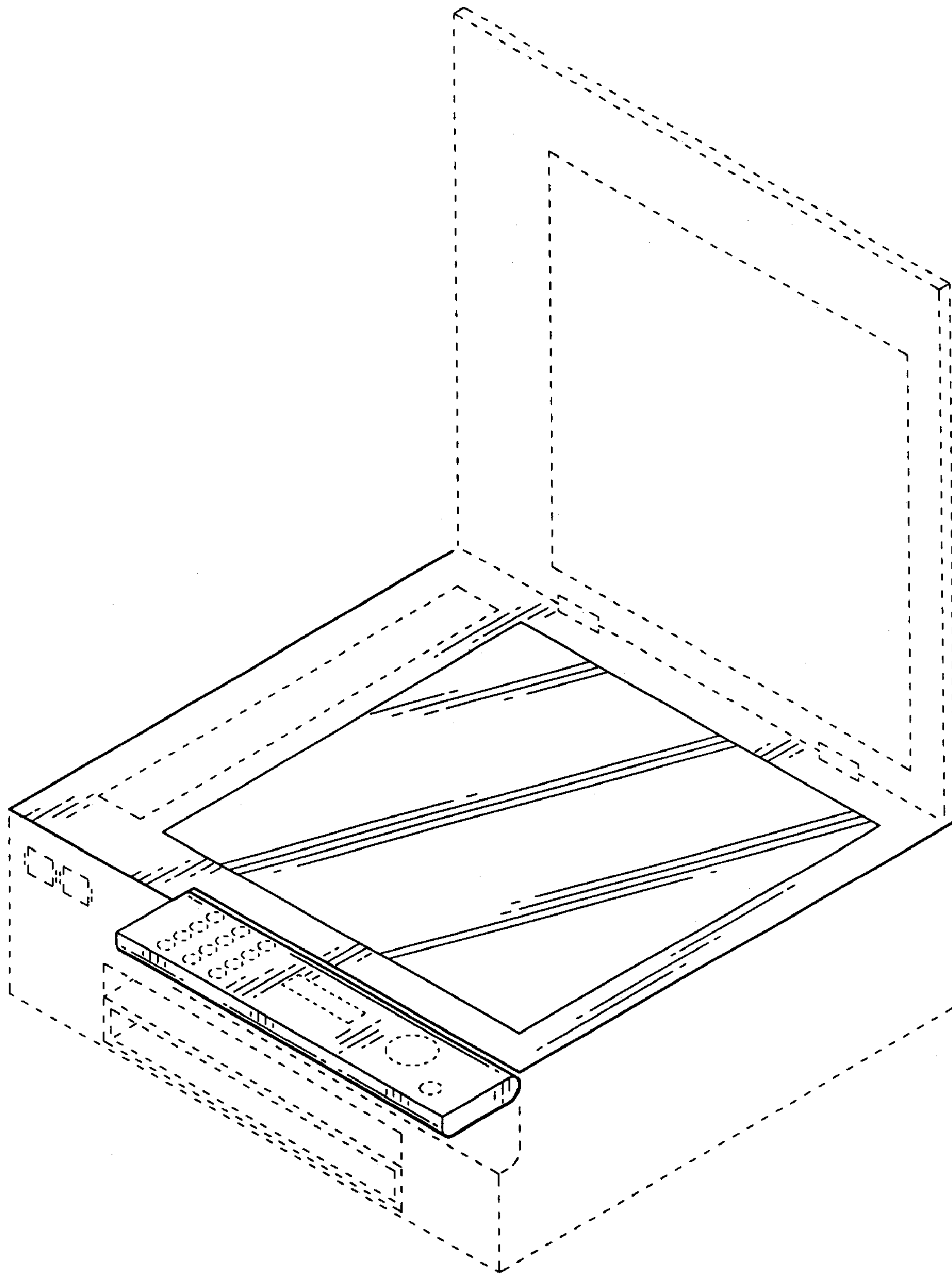


Fig. 7