



US00D526678S

(12) **United States Design Patent**
Inoue et al.

(10) **Patent No.:** **US D526,678 S**

(45) **Date of Patent:** **** Aug. 15, 2006**

(54) **PAPER FEED CASSETTE**

(75) Inventors: **Hirokazu Inoue**, Kyoto (JP); **Yasuhiro Sakanashi**, Kyoto (JP)

(73) Assignee: **Murata Kikai Kabushiki Kaisha**, Kyoto (JP)

(**) Term: **14 Years**

(21) Appl. No.: **29/217,797**

(22) Filed: **Nov. 22, 2004**

(30) **Foreign Application Priority Data**

May 27, 2004 (JP) 2004-015620

(51) **LOC (8) Cl.** **18-99**

(52) **U.S. Cl.** **D18/49**

(58) **Field of Classification Search** D18/36-41,
D18/43-49, 56; D14/462-471; 222/DIG. 1;
355/97, 112; 399/16-23, 361, 363, 381-384,
399/388-391, 393; 271/3.02, 3.08, 18, 145,
271/160, 171, 226, 241, 264

See application file for complete search history.

(56) **References Cited**

U.S. PATENT DOCUMENTS

4,306,802 A * 12/1981 Kucera et al. 399/390
4,780,740 A * 10/1988 Fukae 271/171
4,872,659 A * 10/1989 Kato et al. 399/361
5,163,670 A * 11/1992 Sellers et al. 271/160
D369,824 S * 5/1996 Miyamoto D18/49
D390,256 S * 2/1998 Shibata D18/39

D425,931 S * 5/2000 Brown et al. D18/44
D443,637 S * 6/2001 Kusanagi et al. D18/53
D447,765 S * 9/2001 Hatanaka et al. D18/39
D451,124 S * 11/2001 Isomoto D18/39
D487,107 S * 2/2004 Ohashi D18/39
2004/0188922 A1 * 9/2004 Takahashi et al. 271/145
2005/0242486 A1 * 11/2005 Lee et al. 271/121

FOREIGN PATENT DOCUMENTS

JP 1153721 8/2002
JP 1227909 12/2004

* cited by examiner

Primary Examiner—Caron Veynar

Assistant Examiner—Garth Rademaker

(74) *Attorney, Agent, or Firm*—Hogan & Hartson LLP

(57) **CLAIM**

The ornamental design for a paper feed cassette, as shown.

DESCRIPTION

FIG. 1 is a first perspective view of a paper feed cassette of the present invention;

FIG. 2 is a second perspective view thereof;

FIG. 3 is a third perspective view thereof;

FIG. 4 is a front view thereof;

FIG. 5 is a rear view thereof;

FIG. 6 is a top plan view thereof;

FIG. 7 is a bottom plan view thereof;

FIG. 8 is a right side elevational view thereof; and,

FIG. 9 is a left side elevational view thereof.

1 Claim, 5 Drawing Sheets

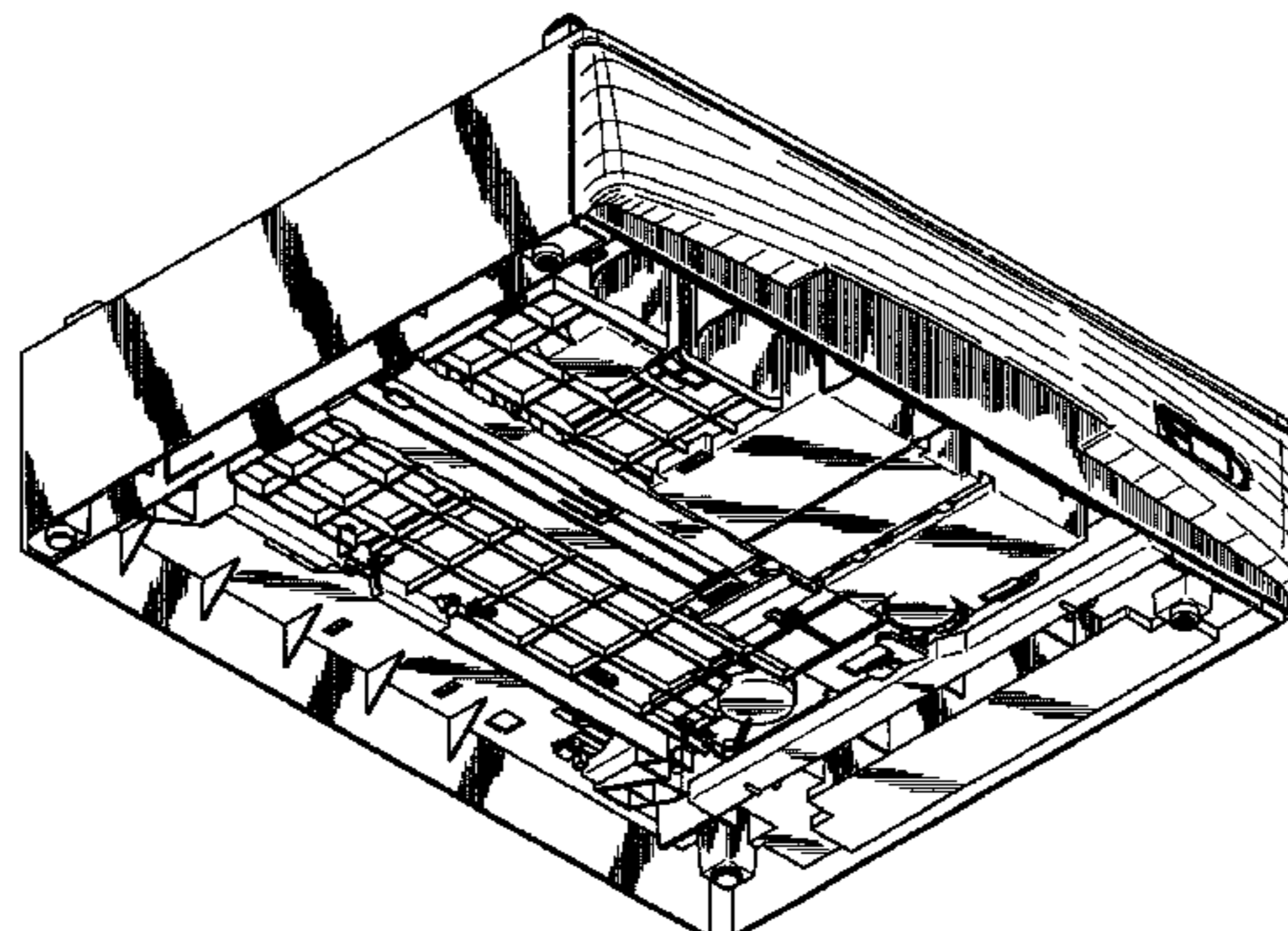
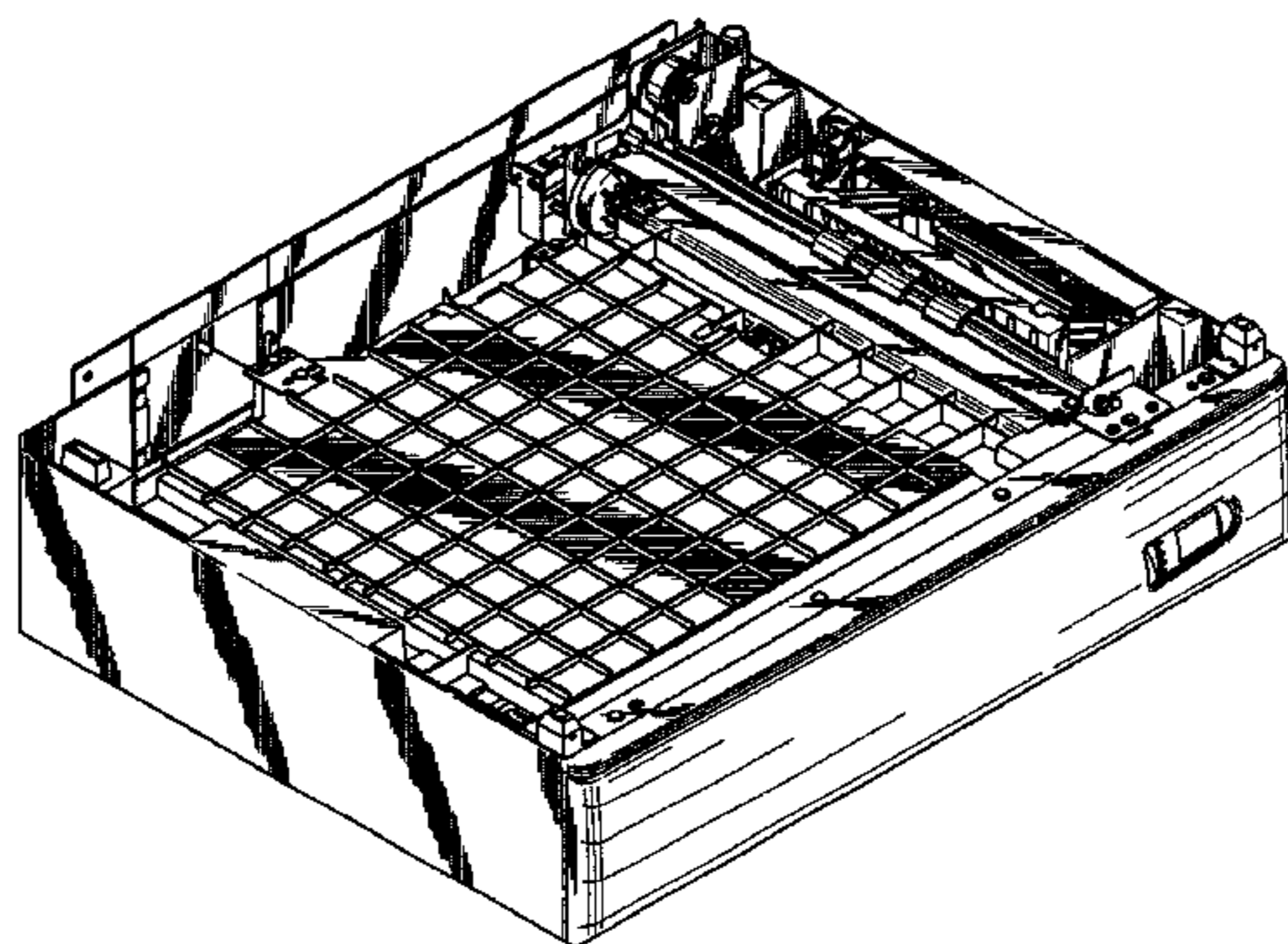


FIG. 1

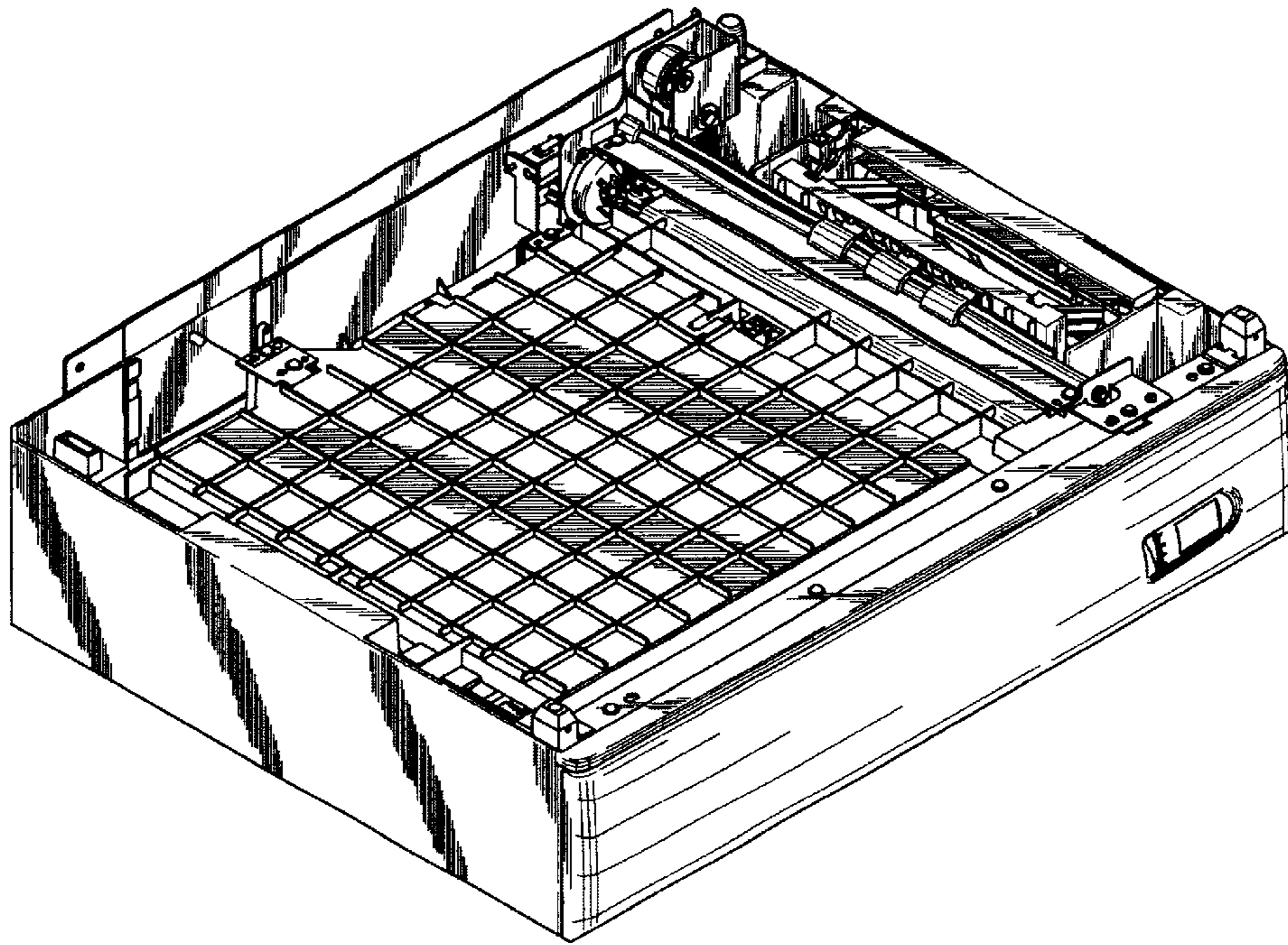


FIG. 2

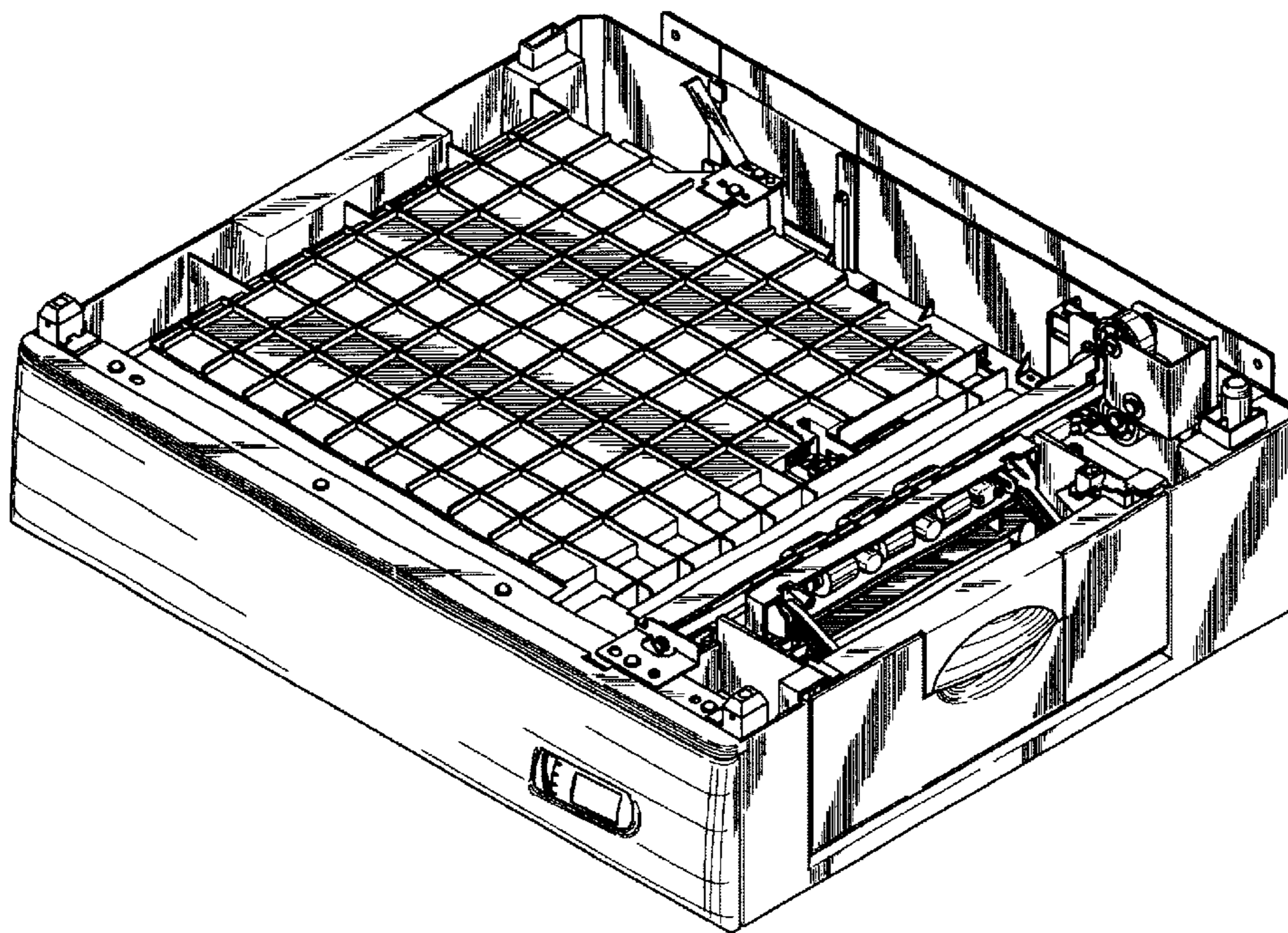


FIG. 3

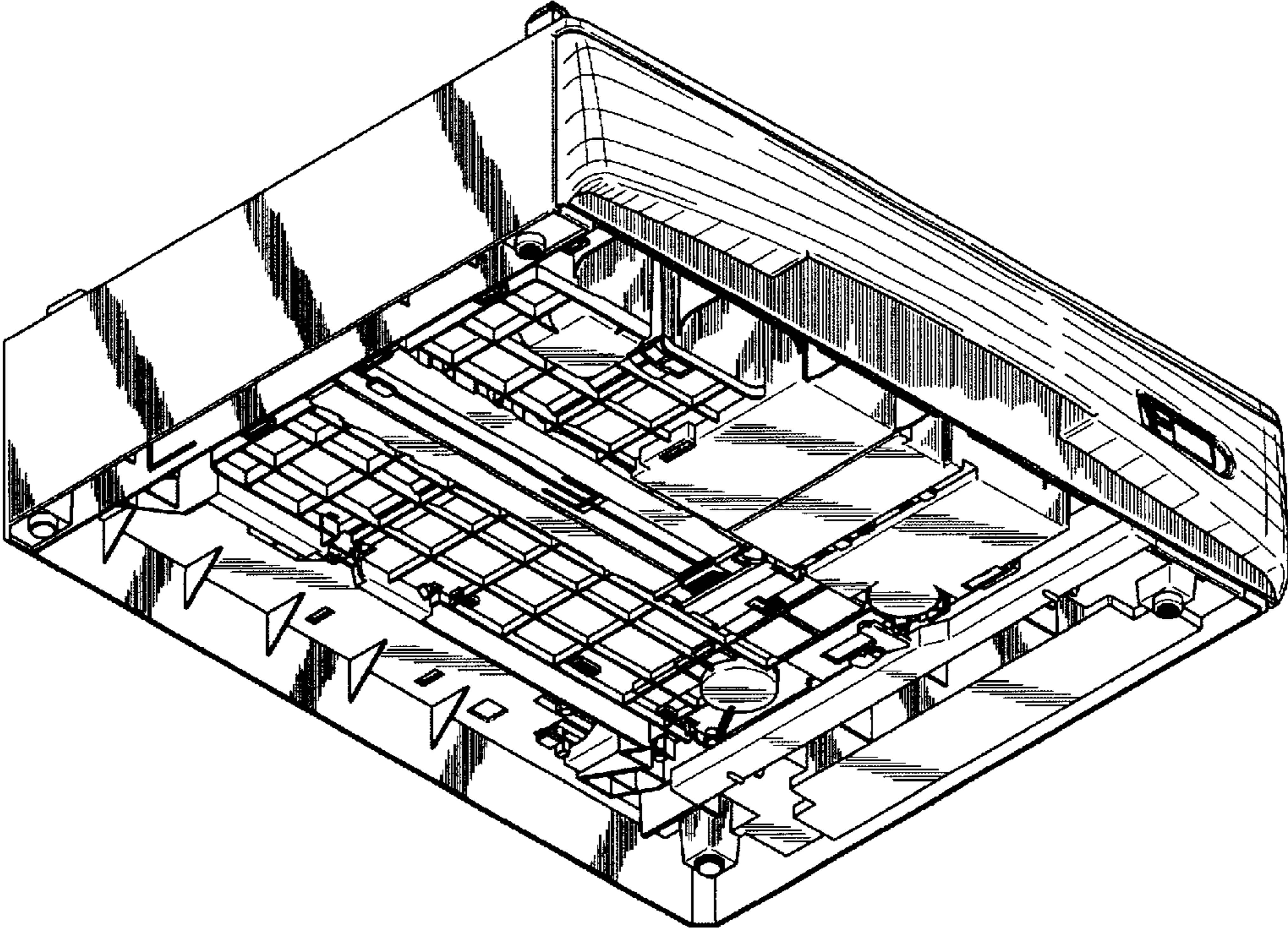


FIG. 4

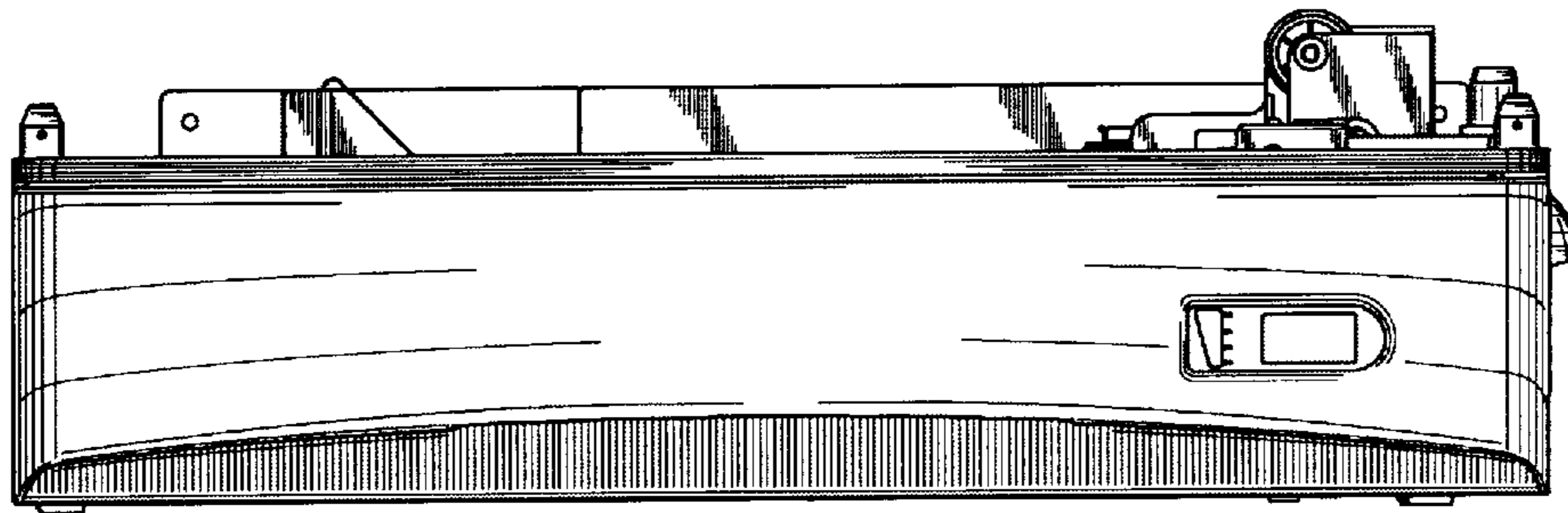


FIG. 5

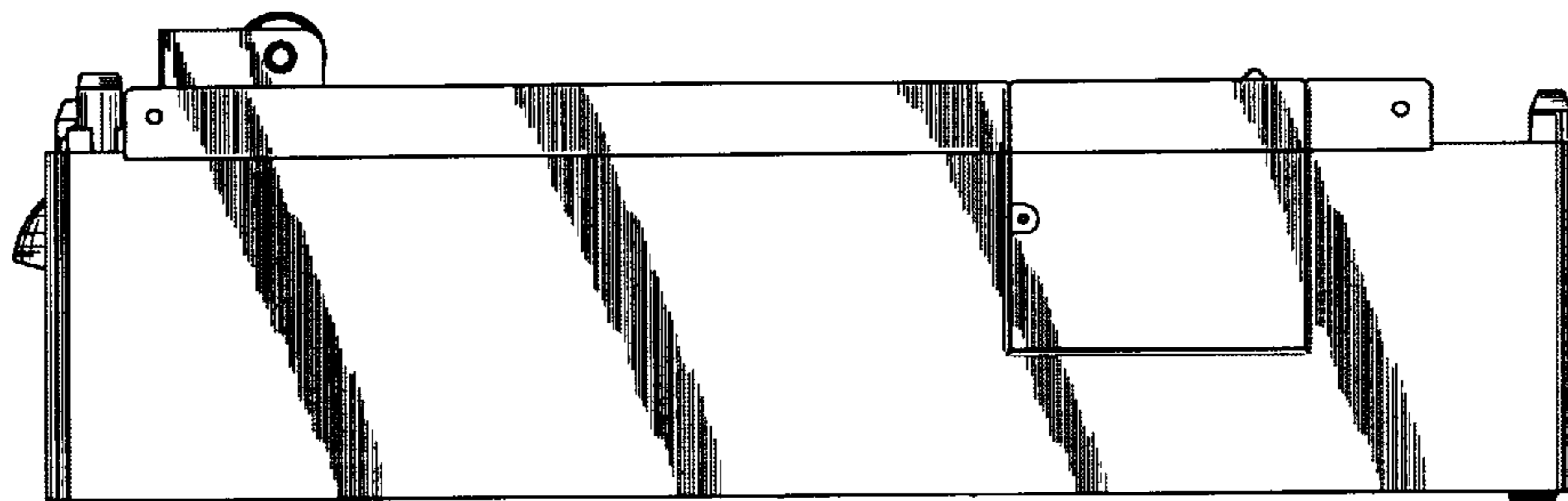


FIG. 6

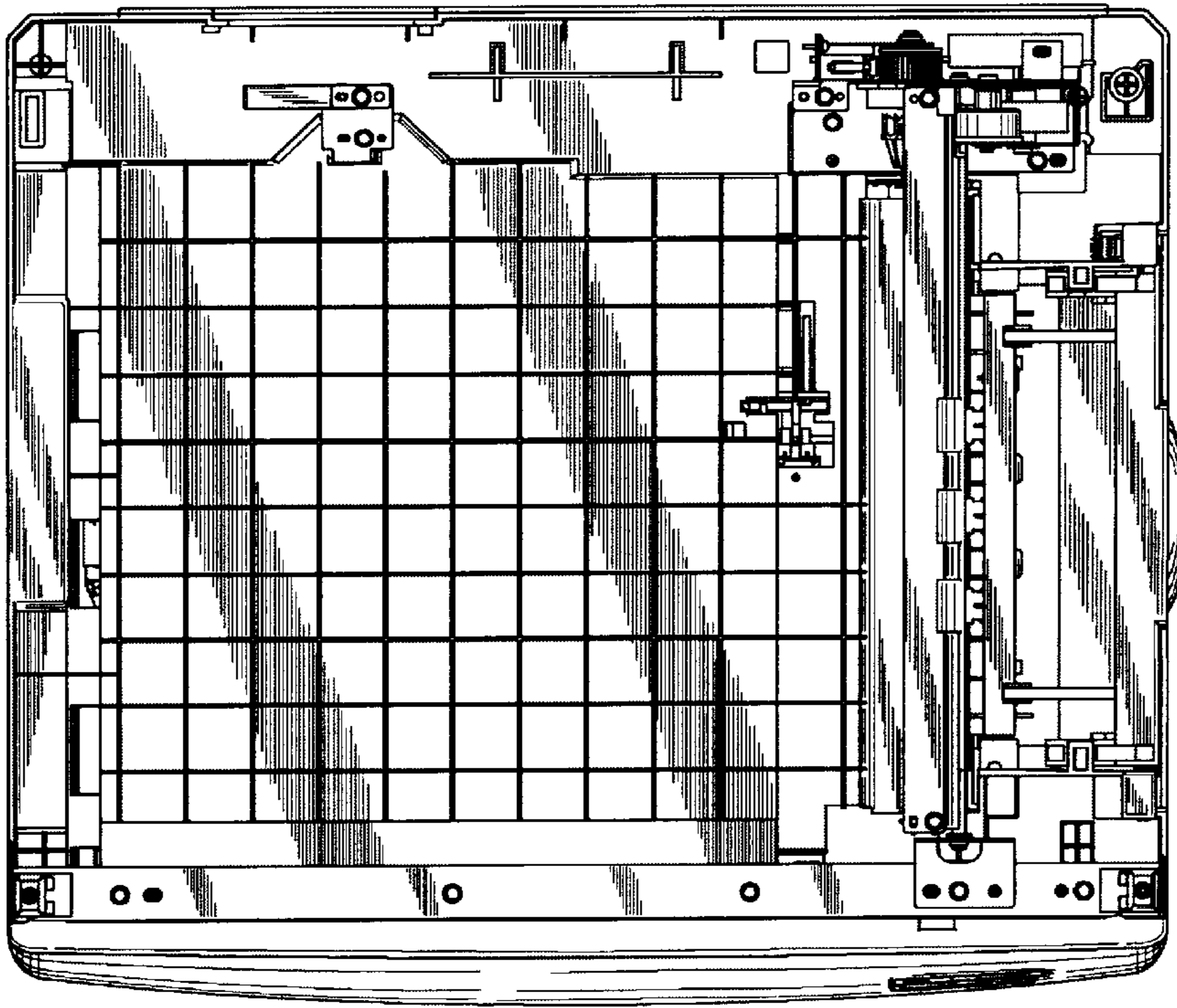


FIG. 7

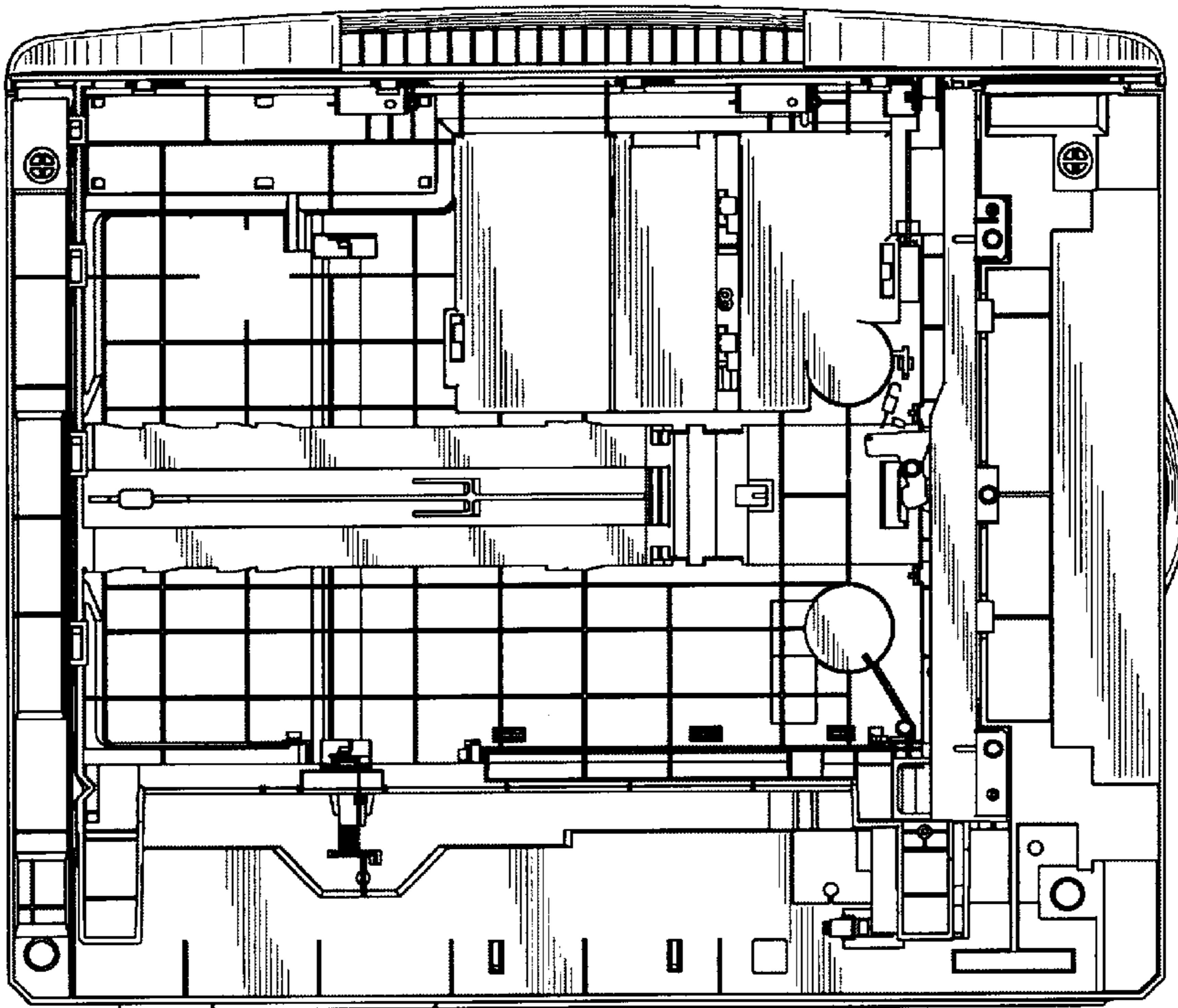


FIG. 8

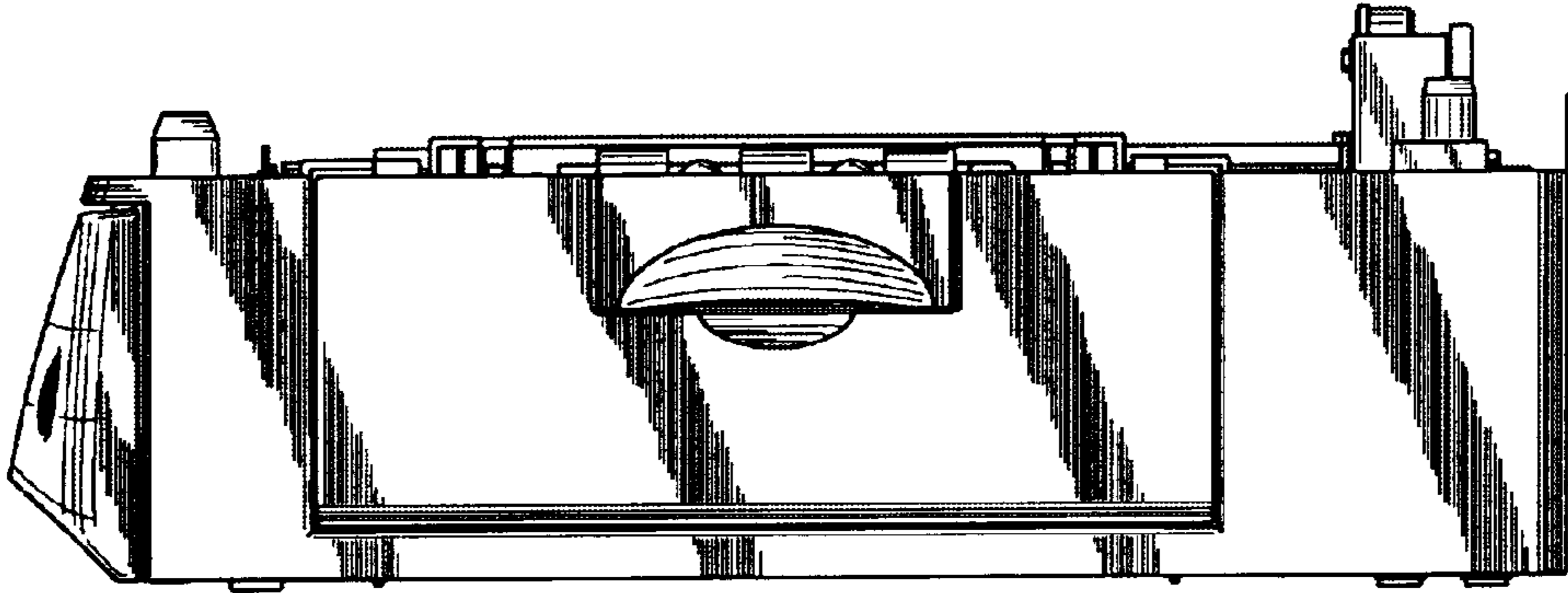


FIG. 9

