

US00D526675S

(12) **United States Design Patent**
Nasu

(10) **Patent No.:** **US D526,675 S**

(45) **Date of Patent:** **** Aug. 15, 2006**

(54) **DIGITAL CAMERA**

(75) Inventor: **Miyoshi Nasu**, Tokyo (JP)

(73) Assignee: **PENTAX Corporation**, Tokyo (JP)

(**) Term: **14 Years**

(21) Appl. No.: **29/225,368**

(22) Filed: **Mar. 16, 2005**

(30) **Foreign Application Priority Data**

Sep. 27, 2004 (JP) 2004-028996

(51) **LOC (8) Cl.** **16-01**

(52) **U.S. Cl.** **D16/219; D16/202**

(58) **Field of Classification Search** D16/200-205,
D16/208, 218, 219; 348/373-376; 358/909.1;
396/535-541

See application file for complete search history.

(56) **References Cited**

U.S. PATENT DOCUMENTS

D428,038 S * 7/2000 Suto D16/219

D451,527 S * 12/2001 Suzuki et al. D16/219

D494,990 S * 8/2004 Su et al. D16/202

D501,497 S * 2/2005 Hayamizu D16/202

D516,107 S * 2/2006 Kim D16/202

* cited by examiner

Primary Examiner—Adir Aronovich

(74) *Attorney, Agent, or Firm*—Sughrue Mion, PLLC

(57) **CLAIM**

The ornamental design for a digital camera, as shown and described.

DESCRIPTION

FIG. 1 is a perspective view of the top, front and right side of a digital camera showing my new design;

FIG. 2 is a top plan view thereof;

FIG. 3 is a front elevational view thereof;

FIG. 4 is a left side elevational view thereof;

FIG. 5 is a right side elevational view thereof;

FIG. 6 is a rear elevational view thereof; and,

FIG. 7 is a bottom plan view thereof.

The portions shown in broken lines are for illustrative purposes only and form no part of the claimed design.

1 Claim, 4 Drawing Sheets

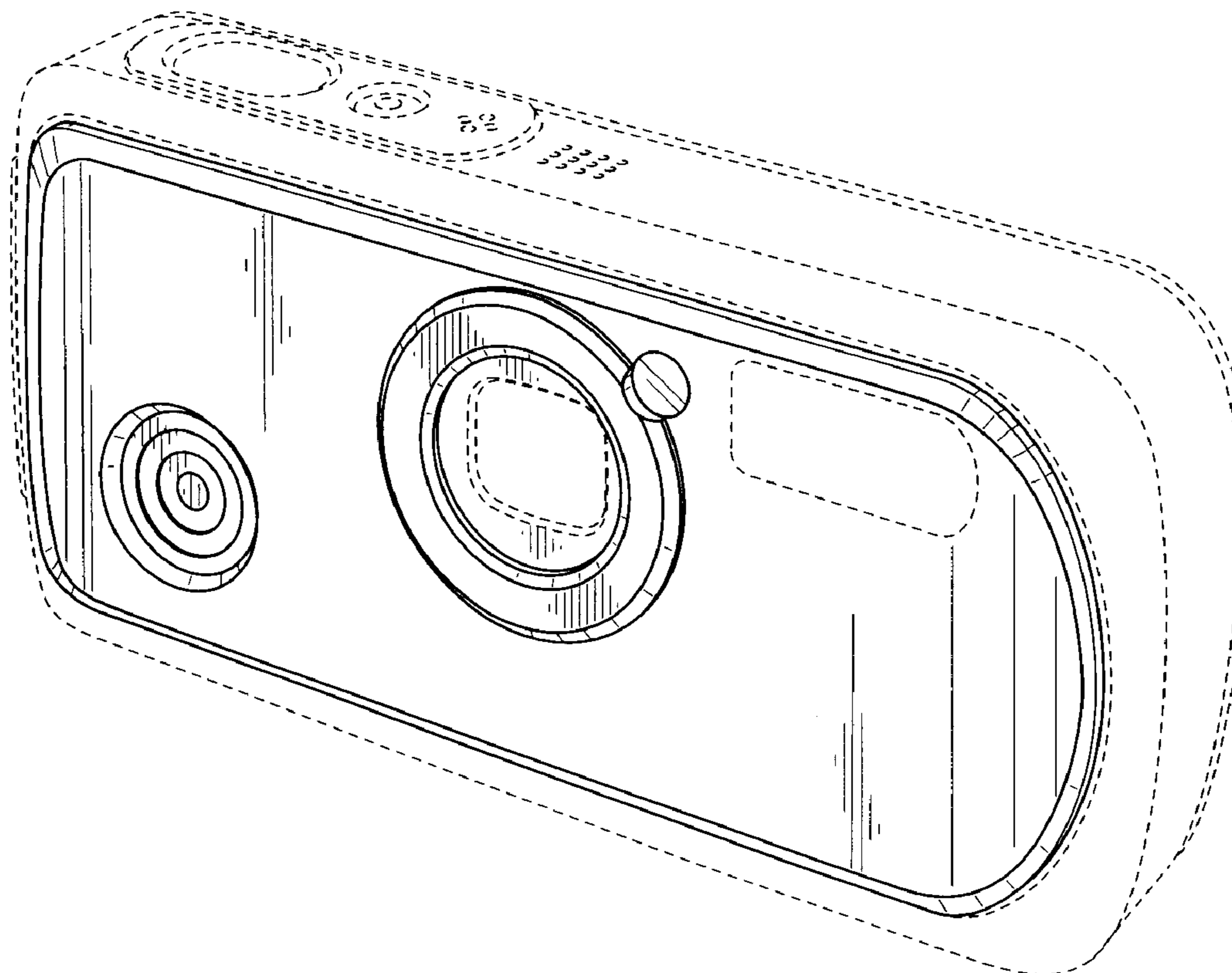


FIG. 1

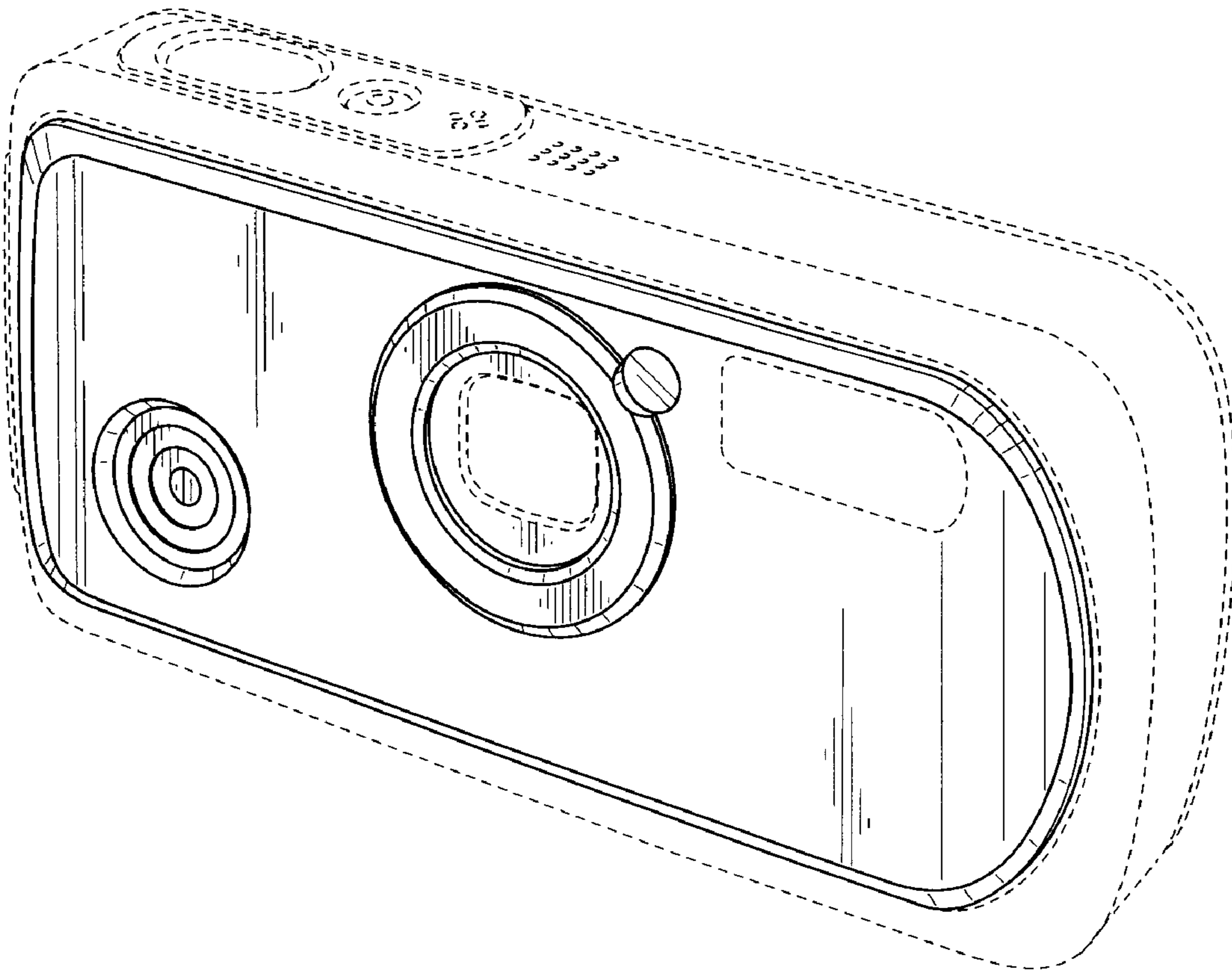


FIG. 2

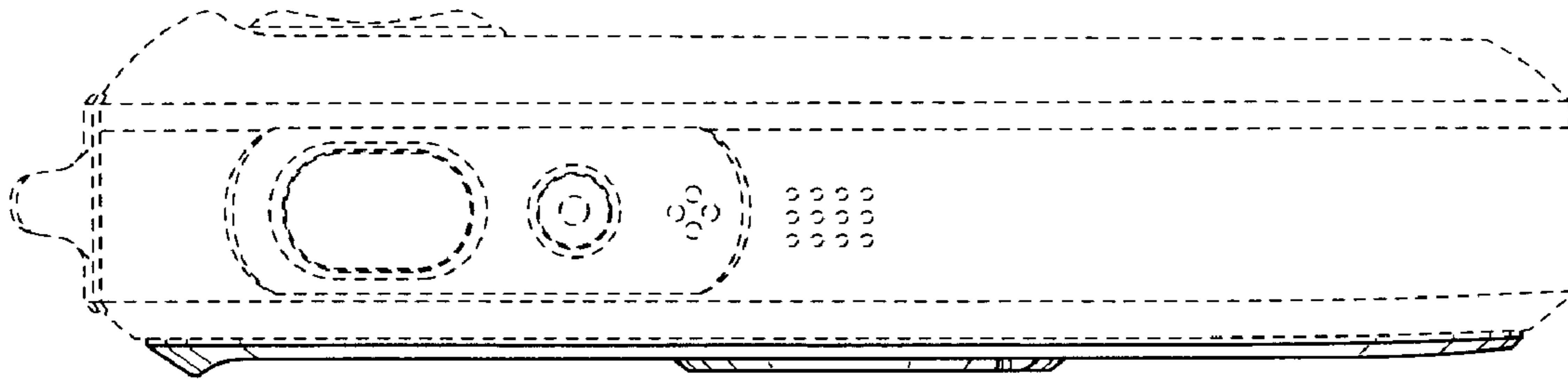


FIG. 3

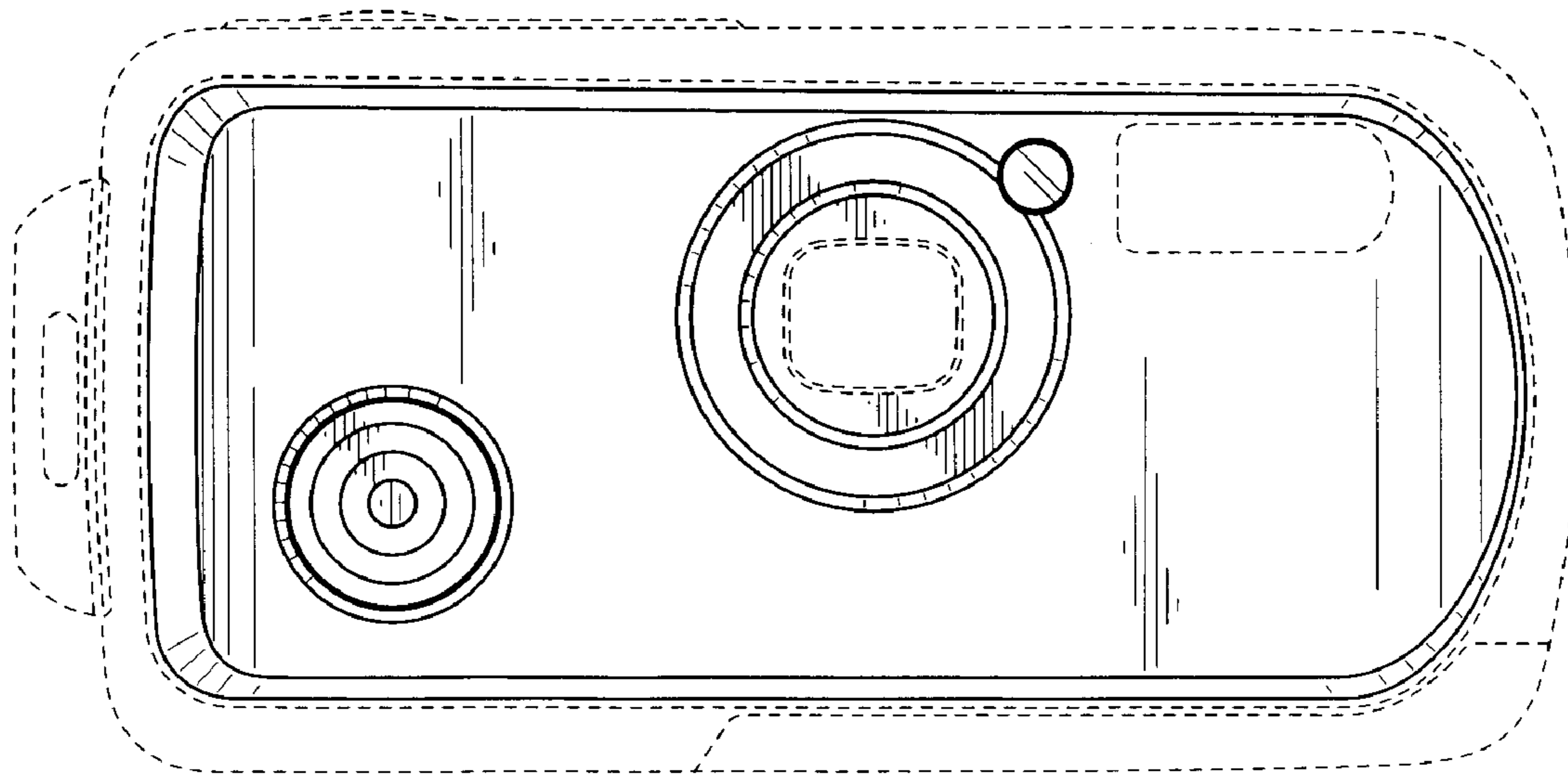


FIG. 4

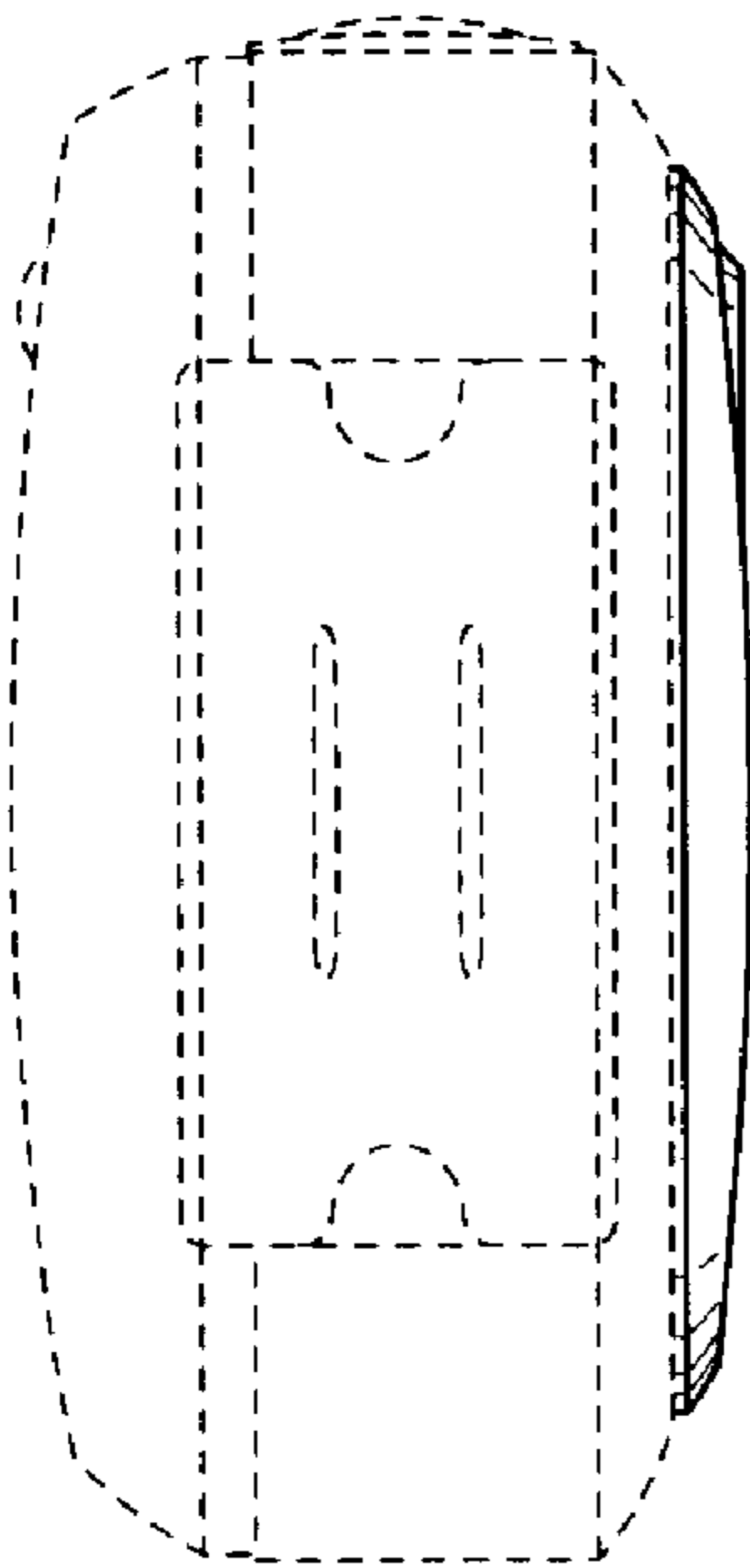


FIG. 5

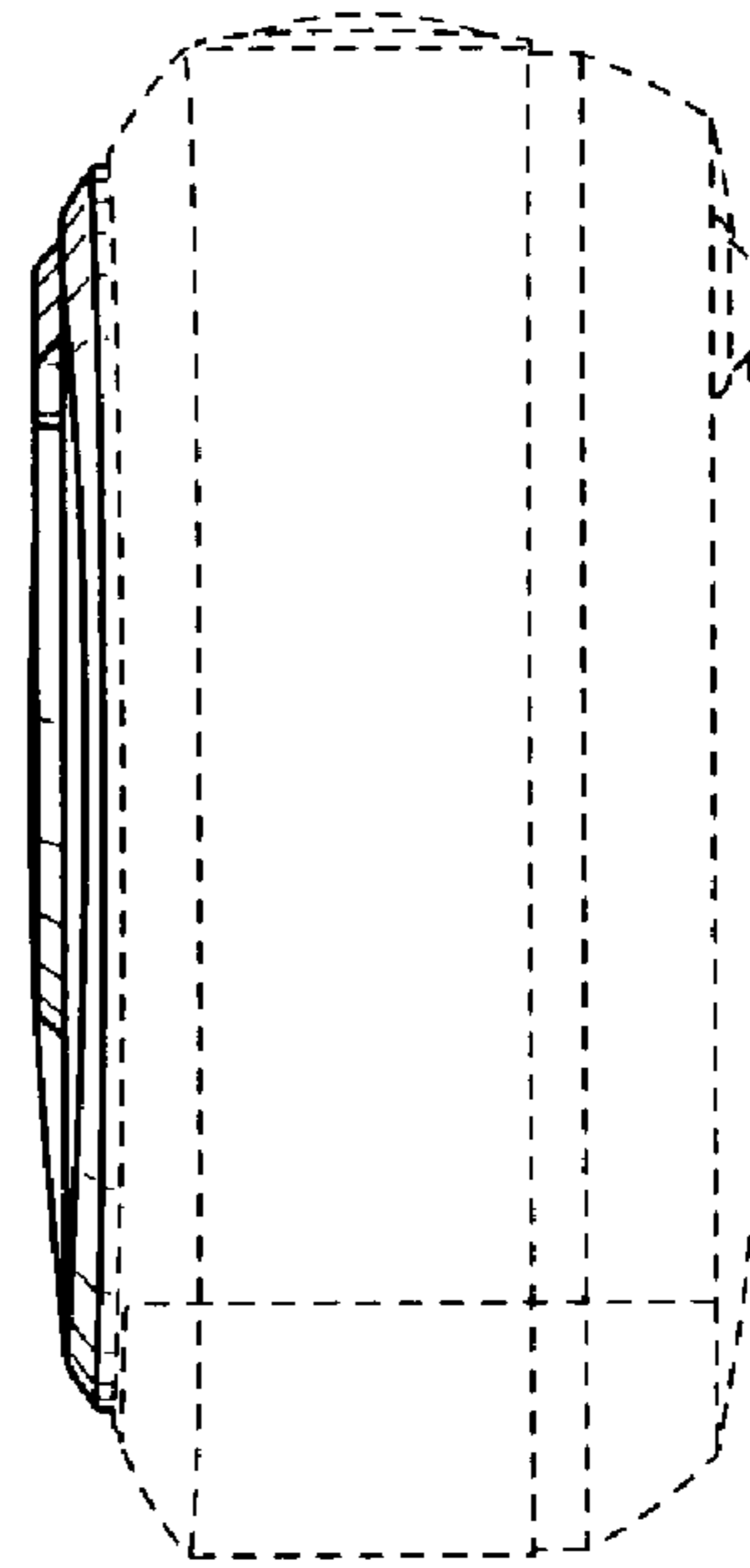


FIG. 6

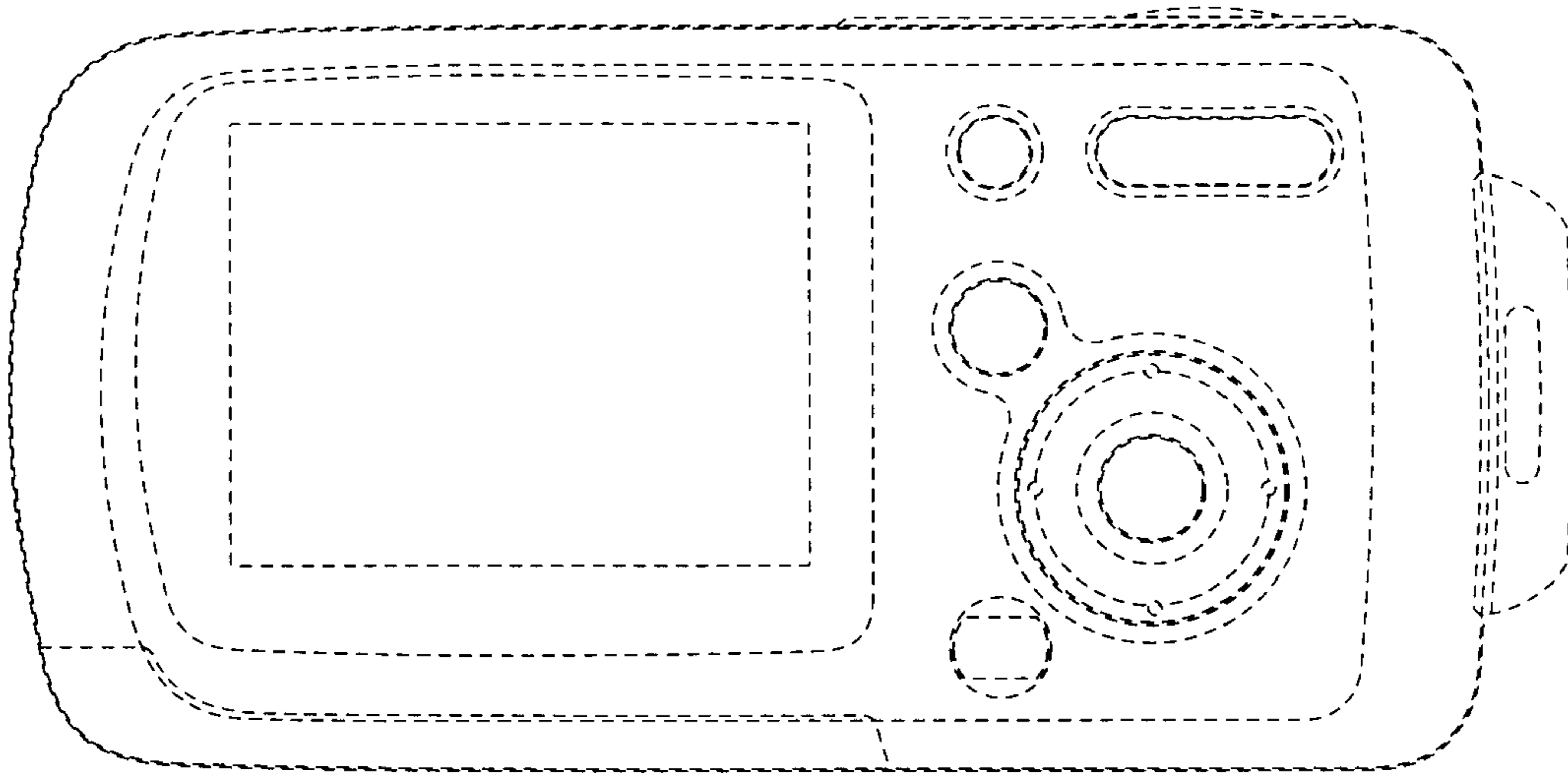


FIG. 7

