



US00D526674S

(12) **United States Design Patent**
Byun et al.

(10) **Patent No.:** **US D526,674 S**

(45) **Date of Patent:** **** Aug. 15, 2006**

(54) **DIGITAL CAMCORDER**

(75) Inventors: **Won-Gab Byun**, Seoul (KR);
Nam-Cheol Kim, Seoul (KR);
Seong-Won Choi, Seoul (KR)

(73) Assignee: **Samsung Electronics Co., Ltd.**, Suwon (KR)

(**) Term: **14 Years**

(21) Appl. No.: **29/226,438**

(22) Filed: **Mar. 29, 2005**

(51) **LOC (8) Cl.** **16-01**

(52) **U.S. Cl.** **D16/202**

(58) **Field of Classification Search** D16/200–206,
D16/208, 218; 348/373–376; 358/906, 909.1;
396/535–541

See application file for complete search history.

(56) **References Cited**

U.S. PATENT DOCUMENTS

| | | | | | |
|------------|---|---------|-------------|-------|---------|
| D217,788 S | * | 6/1970 | Fukuda | | D16/205 |
| D356,806 S | * | 3/1995 | Kim | | D16/202 |
| D365,354 S | * | 12/1995 | Sung | | D16/202 |
| D366,886 S | * | 2/1996 | Choi | | D16/202 |
| D372,925 S | * | 8/1996 | Choi | | D16/202 |
| D378,296 S | * | 3/1997 | Choi | | D16/202 |
| D383,767 S | * | 9/1997 | Sung et al. | | D16/202 |

| | | | | | |
|------------|---|---------|-------------|-------|---------|
| D386,506 S | * | 11/1997 | Choi et al. | | D16/202 |
| D387,078 S | * | 12/1997 | Akita | | D16/202 |
| D390,243 S | * | 2/1998 | Choi | | D16/202 |
| D410,663 S | * | 6/1999 | Ogasawara | | D16/202 |
| D428,430 S | * | 7/2000 | Ohi et al. | | D16/202 |
| D450,734 S | * | 11/2001 | Shinano | | D16/202 |
| D474,792 S | * | 5/2003 | Hyun | | D16/202 |
| D508,711 S | * | 8/2005 | Suzuki | | D16/202 |
| D515,604 S | * | 2/2006 | Tanio | | D16/202 |

* cited by examiner

Primary Examiner—Adir Aronovich

(74) *Attorney, Agent, or Firm*—Flynn, Thiel, Boutell & Tanis, P.C.

(57) **CLAIM**

The ornamental design for a digital camcorder, as shown and described.

DESCRIPTION

FIG. 1. is a top front perspective view of a digital camcorder showing our new design.

FIG. 2. is a front elevational view thereof.

FIG. 3. is a rear elevational view thereof.

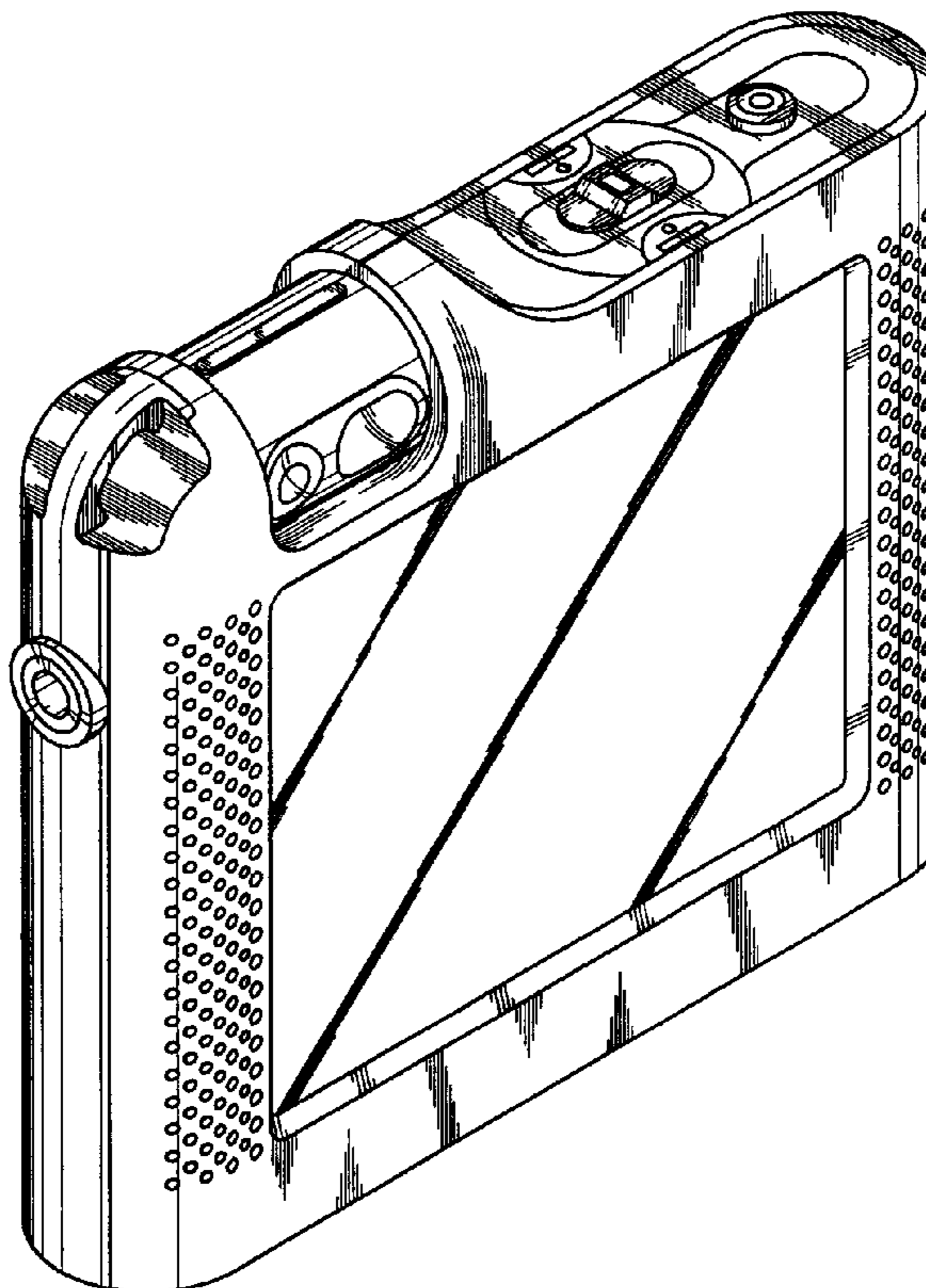
FIG. 4. is a left side elevational view thereof.

FIG. 5. is a right side elevational view thereof.

FIG. 6. is a top plan view thereof; and,

FIG. 7. is a bottom plan view thereof.

1 Claim, 5 Drawing Sheets



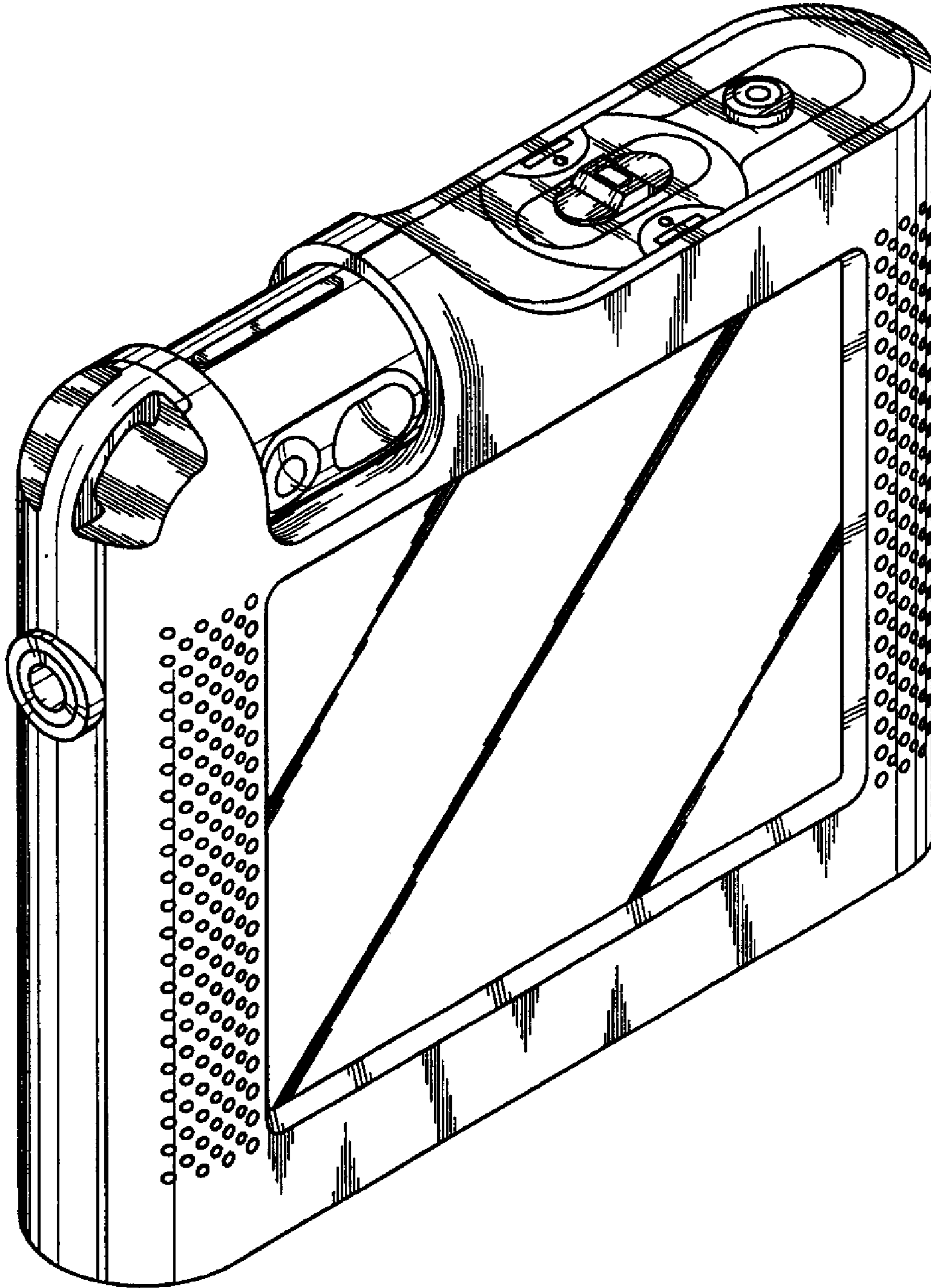


FIG. 1

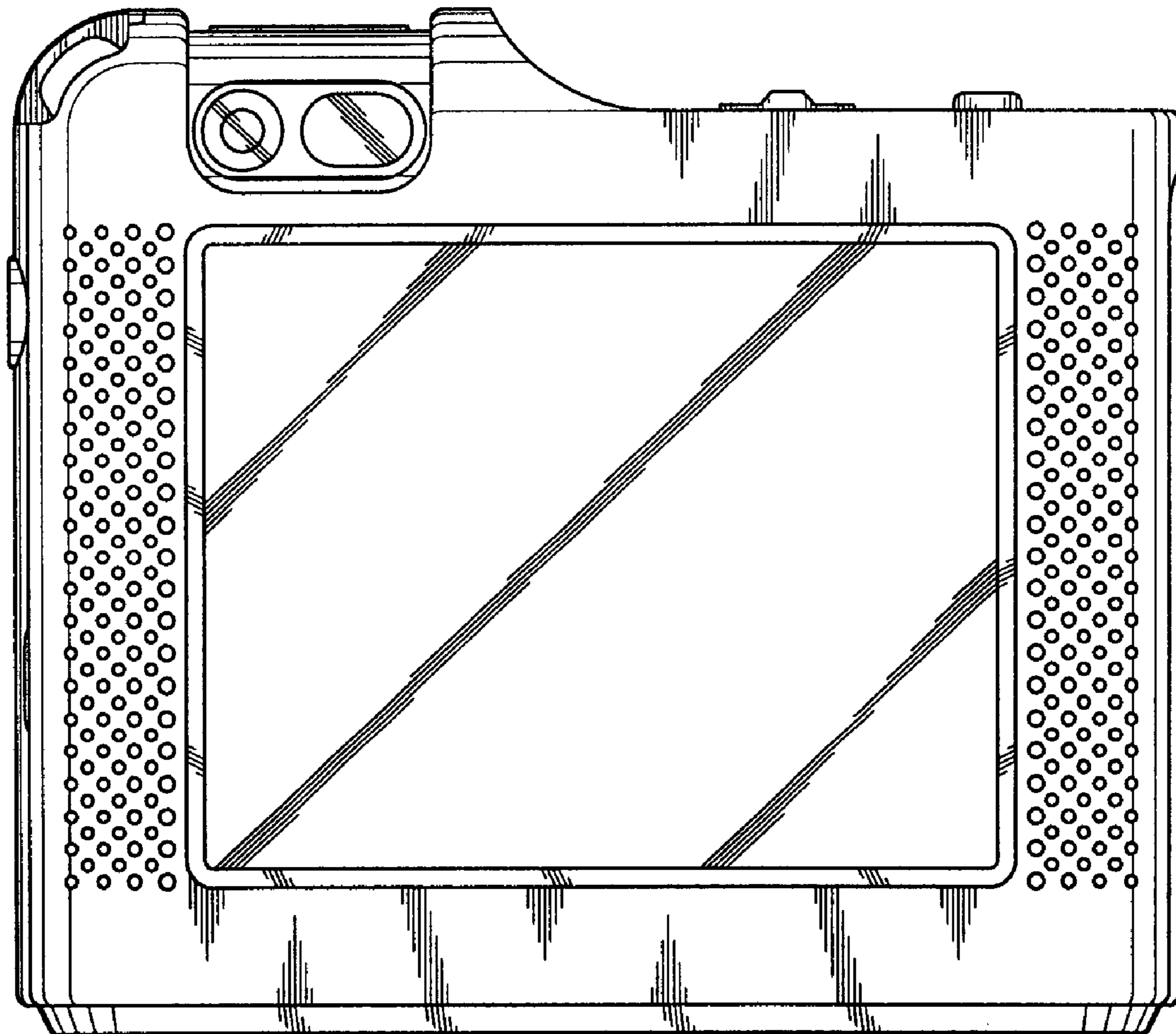


FIG. 2

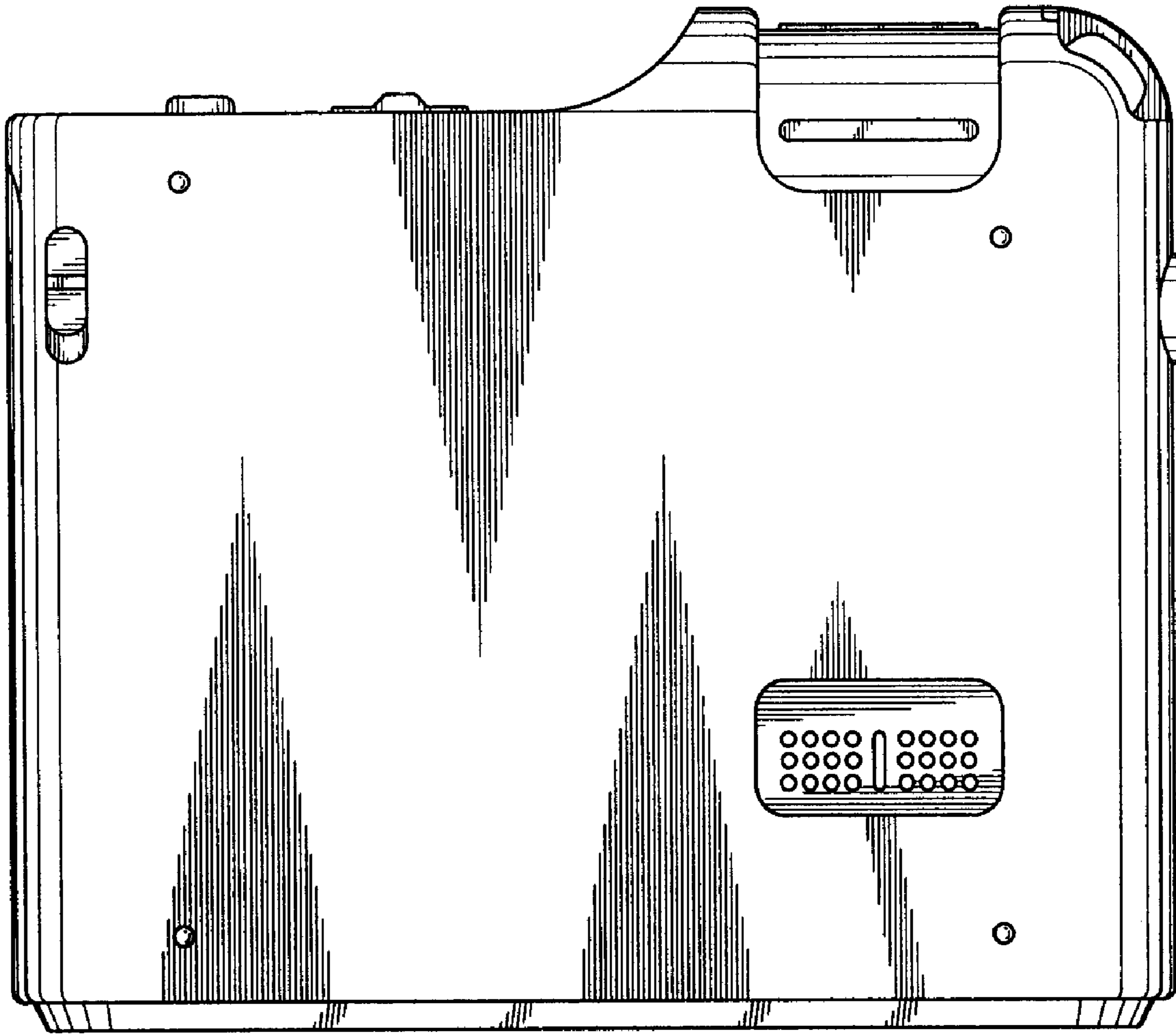


FIG. 3

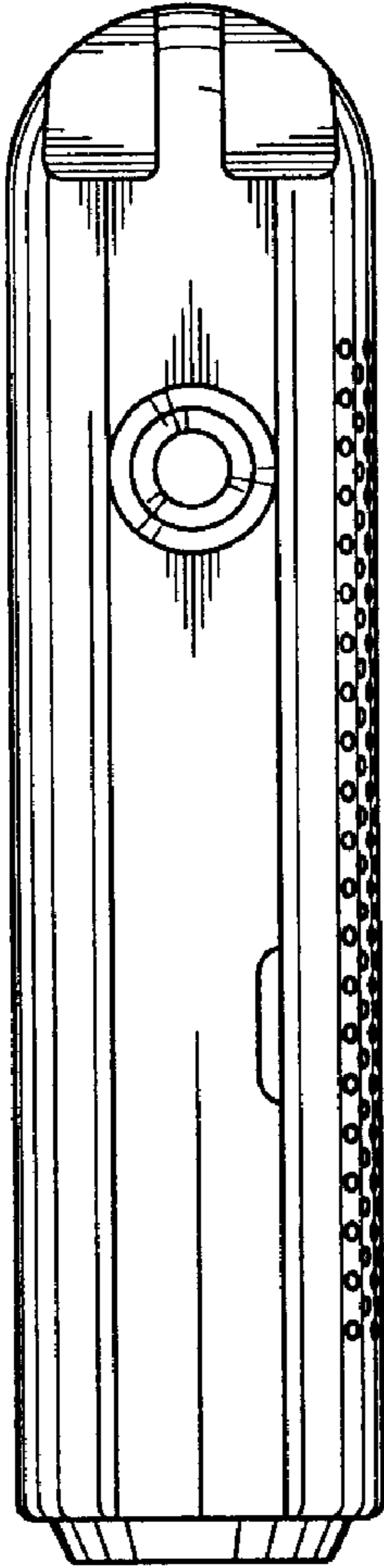


FIG. 4

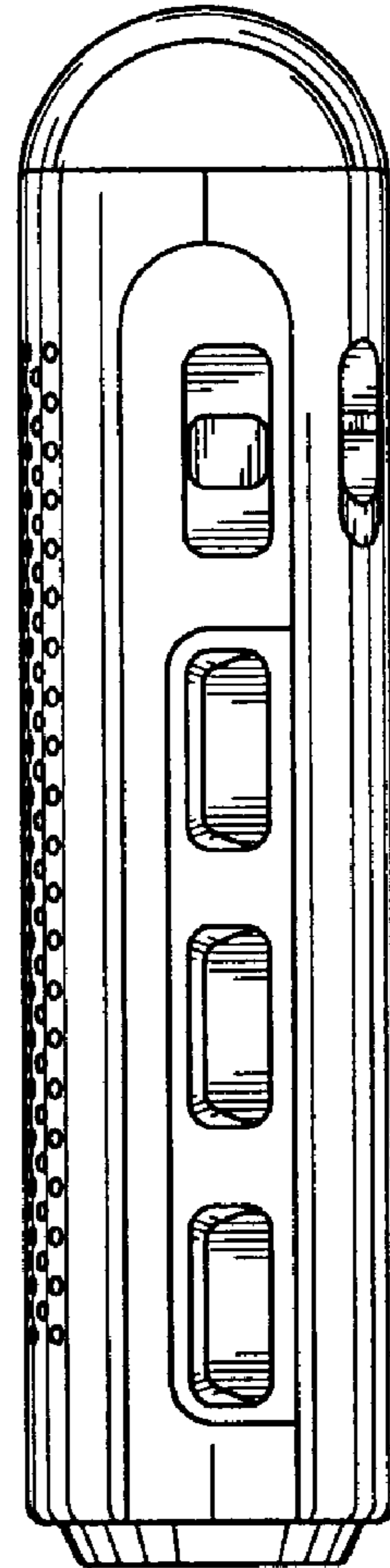


FIG. 5

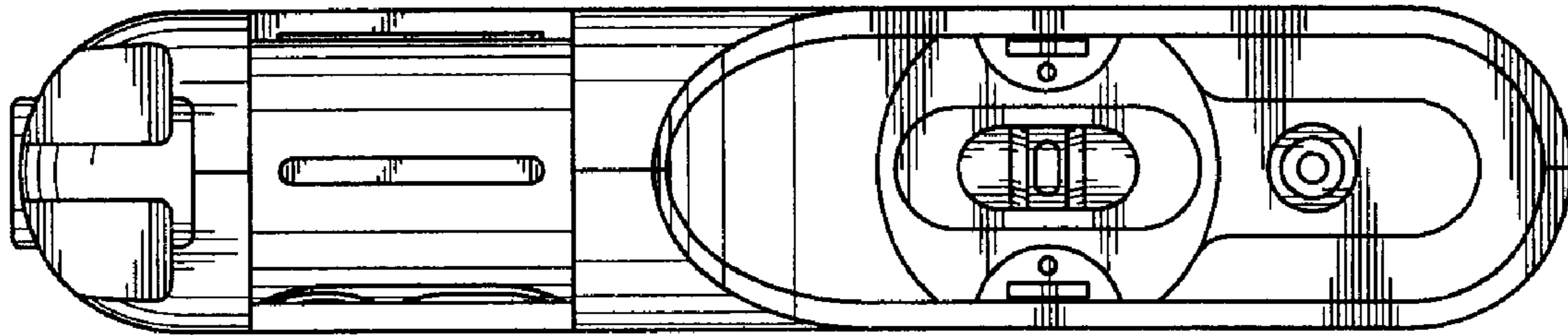


FIG. 6

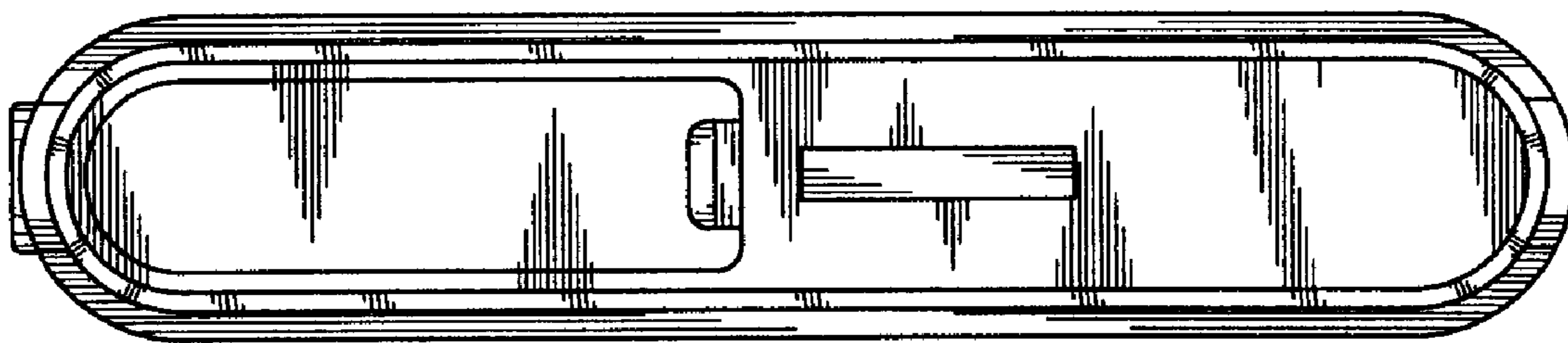


FIG. 7