



US00D526667S

(12) **United States Design Patent**  
**Sakamoto et al.**

(10) **Patent No.:** **US D526,667 S**

(45) **Date of Patent:** **\*\* Aug. 15, 2006**

(54) **SPRUE CUTTING PUNCH FOR A DISC-MOLDING DIE**

3,763,730 A \* 10/1973 Ahlegian ..... 83/688  
4,762,043 A \* 8/1988 Sneed ..... 83/686  
2003/0075034 A1 \* 4/2003 Brenneke ..... 83/684

(75) Inventors: **Yasuyoshi Sakamoto**, Kamagaya (JP);  
**Katsuyuki Hiki**, Narashino (JP)

\* cited by examiner

(73) Assignee: **Seikoh Giken Co., Ltd.**, Chiba (JP)

*Primary Examiner*—Antoine D. Davis

*Assistant Examiner*—Patricia Palasik

(\*\*) Term: **14 Years**

(74) *Attorney, Agent, or Firm*—Olson & Hierl, Ltd.

(21) Appl. No.: **29/217,435**

(57) **CLAIM**

(22) Filed: **Nov. 17, 2004**

The ornamental design for a sprue cutting punch for a disc-molding die, as shown and described.

(51) **LOC (8) Cl.** ..... **15-09**

**DESCRIPTION**

(52) **U.S. Cl.** ..... **D15/128; D15/135**

(58) **Field of Classification Search** ..... D15/128,  
D15/135-139; 76/DIG. 2, 101 B, 101 R,  
76/107 R; 83/684, 686, 688, 699, 670; 407/13,  
407/18, 19

FIG. 1 is a perspective view of a sprue cutting punch for a disc-molding die;

FIG. 2 is a front view thereof, a rear view being a identical view of the front view;

FIG. 3 is a right side view thereof, a left side view being a identical view of the right side view;

FIG. 4 is a top plan view thereof;

FIG. 5 is a bottom view thereof; and,

FIG. 6 is a sectional view taken along line 6—6 thereof.

See application file for complete search history.

(56) **References Cited**

**U.S. PATENT DOCUMENTS**

199,715 A \* 1/1878 Jenkins ..... 83/688

**1 Claim, 3 Drawing Sheets**

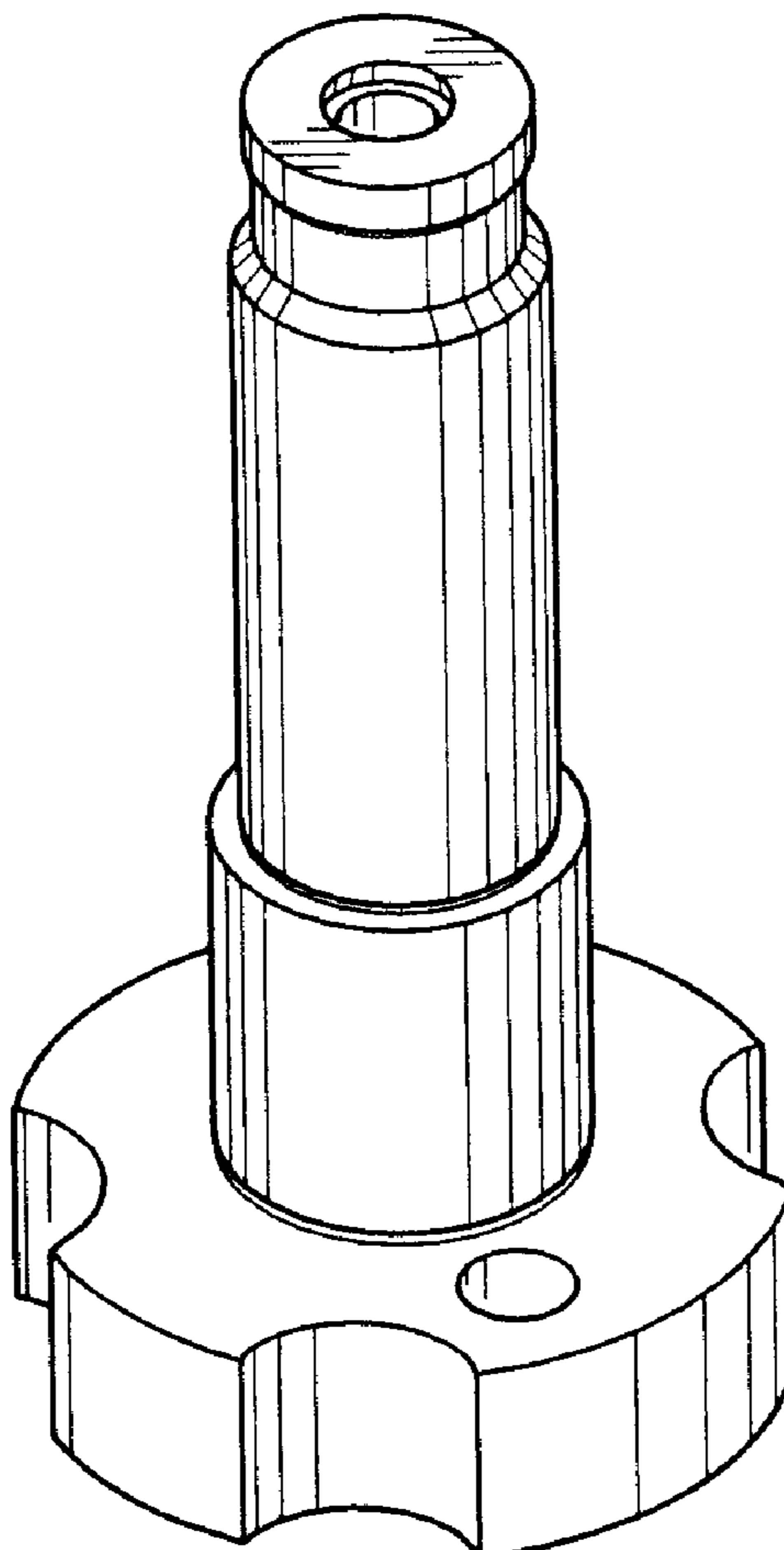


FIG. 1

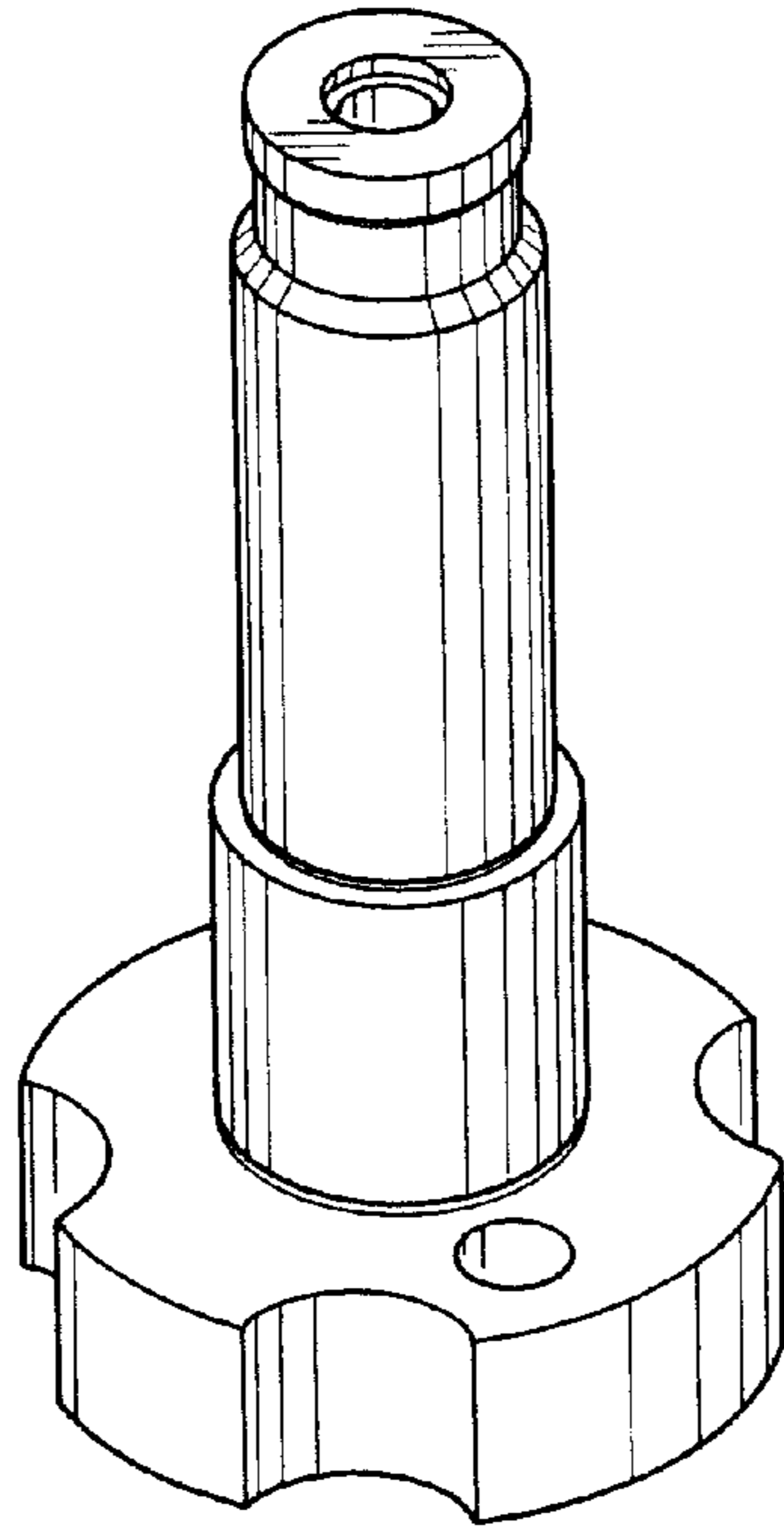


FIG. 2

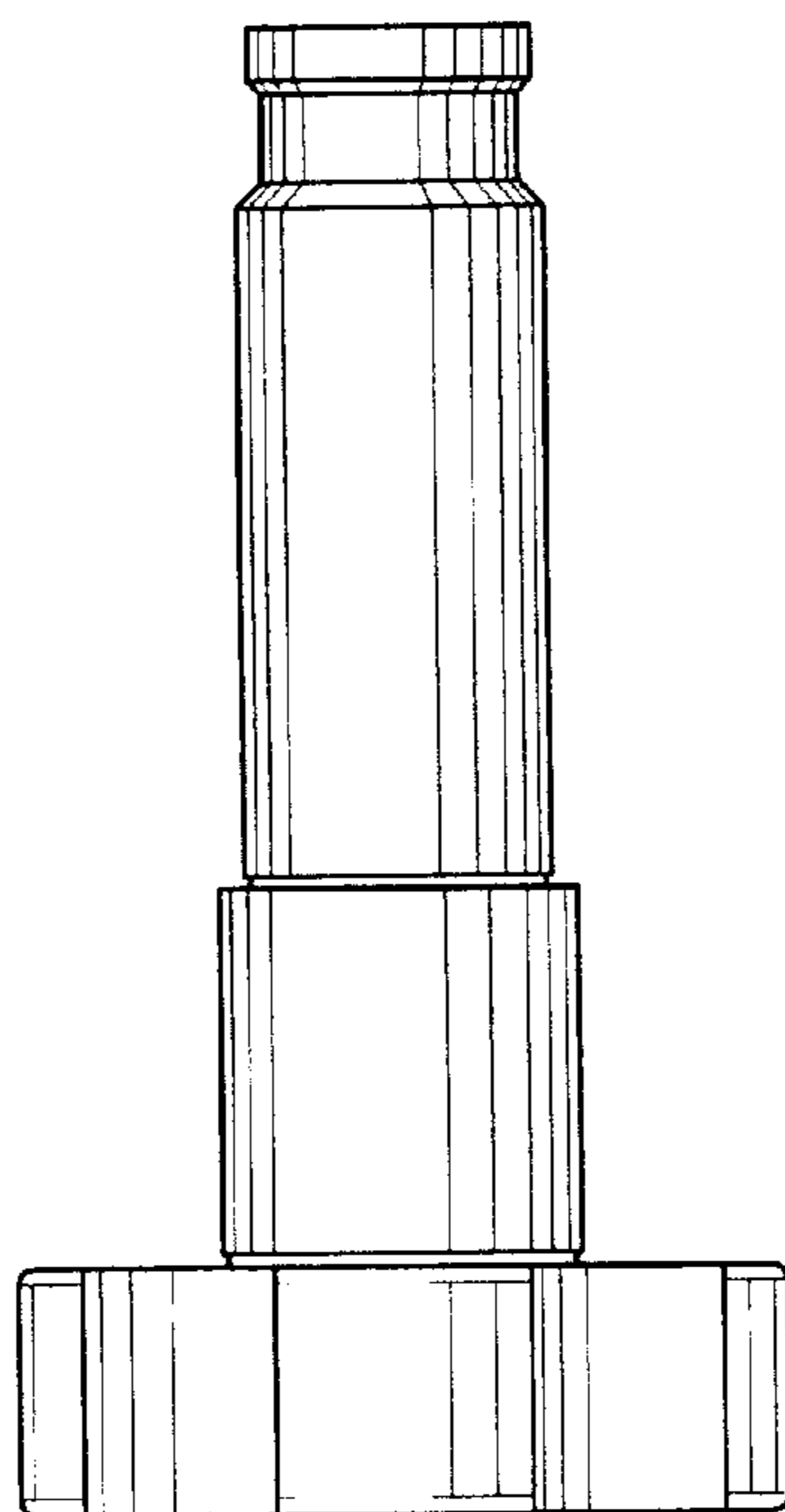


FIG.3

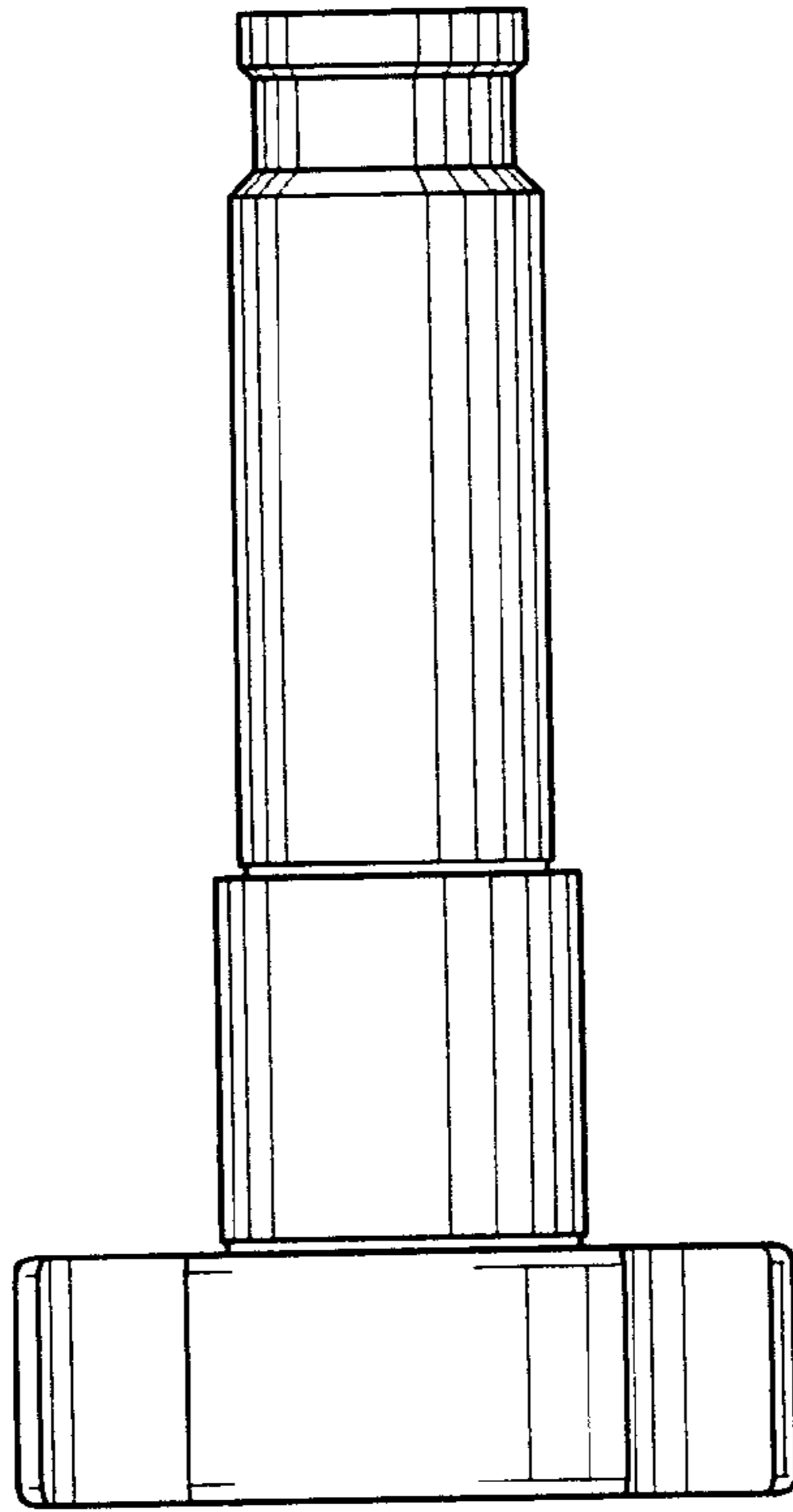


FIG.4

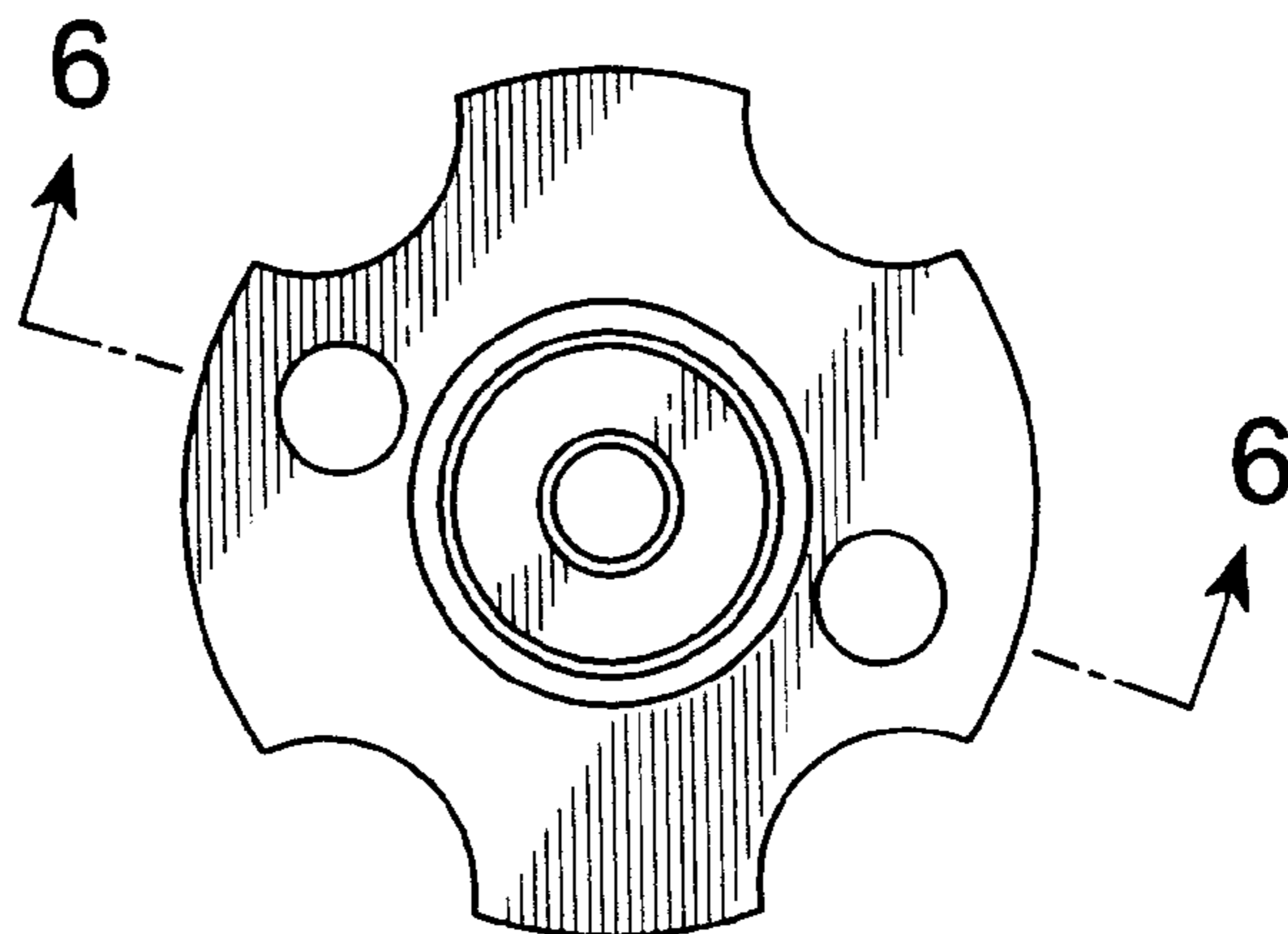


FIG.5

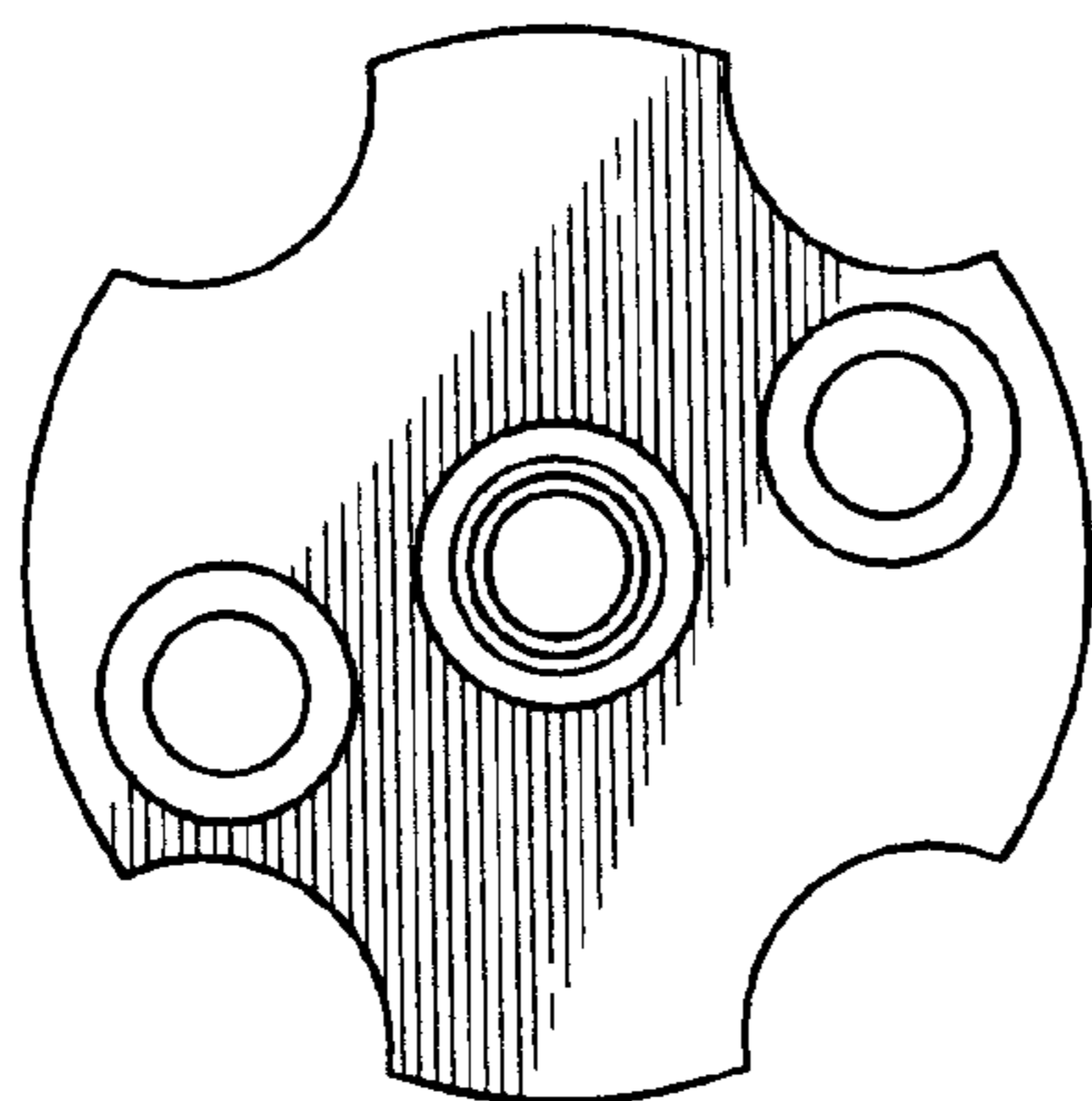


FIG.6

