

US00D52666S

(12) **United States Design Patent**
Bruns

(10) **Patent No.:** **US D526,666 S**

(45) **Date of Patent:** **** Aug. 15, 2006**

(54) **CONE CAP**

D490,828 S * 6/2004 Lindsay et al. D15/149

(76) Inventor: **Steven A. Bruns**, 46988 730th Ave.,
Hector, MN (US) 55432

* cited by examiner

Primary Examiner—Stella Reid
Assistant Examiner—Mark A. Goodwin

(**) Term: **14 Years**

(21) Appl. No.: **29/188,108**

(57) **CLAIM**

(22) Filed: **Aug. 14, 2003**

The ornamental design for a cone cap, as shown and described.

(51) **LOC (8) Cl.** **15-03**

(52) **U.S. Cl.** **D15/28**

(58) **Field of Classification Search** D15/28,
D15/5, 17, 148, 149, 199; 180/337, 346,
180/84, 900; 220/327; 74/608, 612, 606 R
See application file for complete search history.

DESCRIPTION

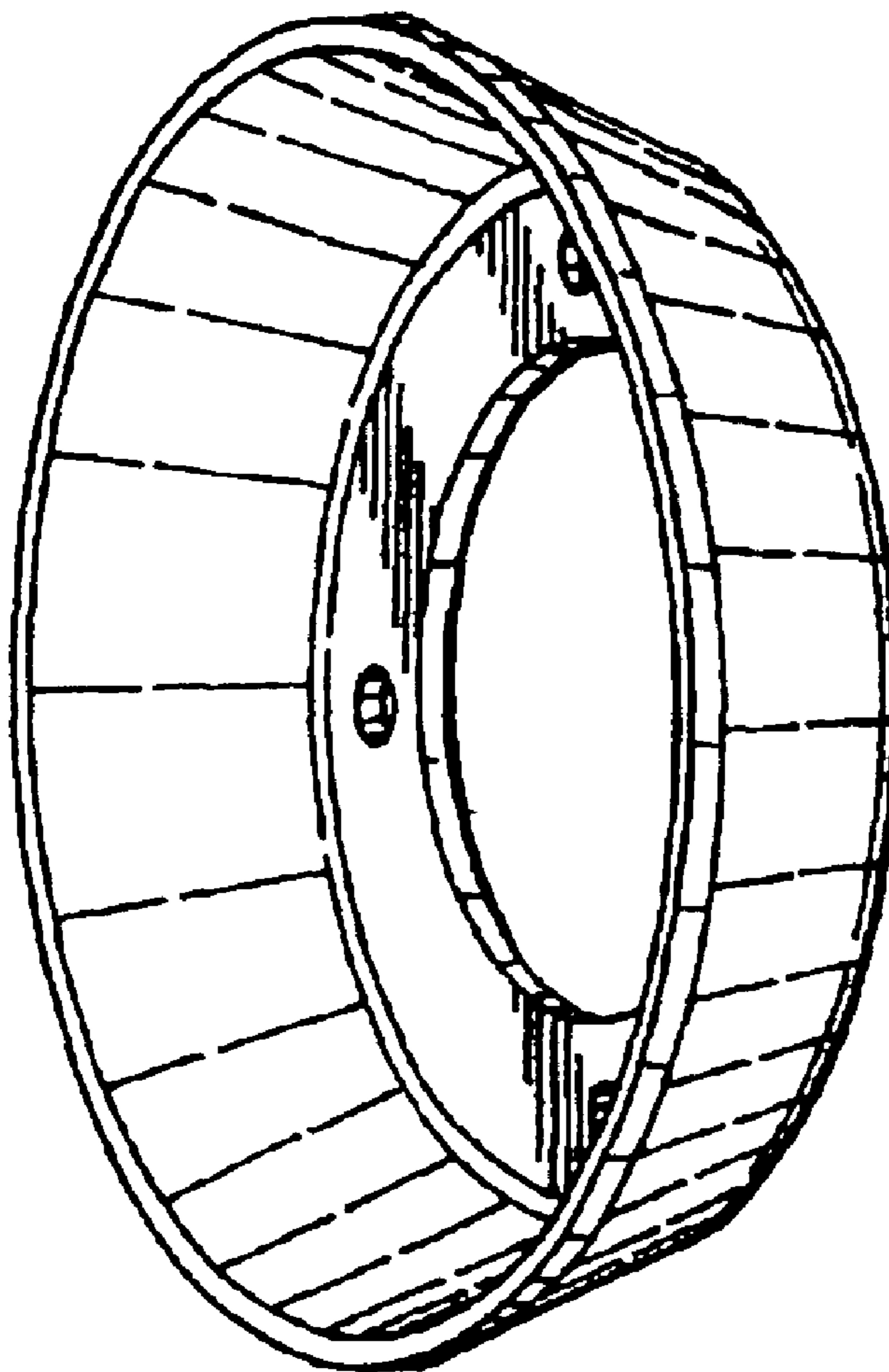
FIG. 1 is a perspective view of the cone cap showing my new design;
FIG. 2 is an enlarged front elevational view thereof;
FIG. 3 is an enlarged top plan view thereof, the bottom plan view being a mirror image thereof;
FIG. 4 is an enlarged rear elevational view thereof;
FIG. 5 is an enlarged side elevational view of the right side thereof, the side elevational view of the left side being a mirror image thereof; and,
FIG. 6 is a sectional view taken along the line 6—6 of FIG. 2.

(56) **References Cited**

U.S. PATENT DOCUMENTS

D296,900 S	*	7/1988	Randolph	D15/148
D298,632 S	*	11/1988	Grawey et al.	D15/28
4,867,335 A	*	9/1989	Segal	220/327
D339,142 S	*	9/1993	Middlebrook	D15/148
D423,530 S	*	4/2000	Mizukami	D15/148
D425,081 S	*	5/2000	Hartmann	D15/5

1 Claim, 2 Drawing Sheets



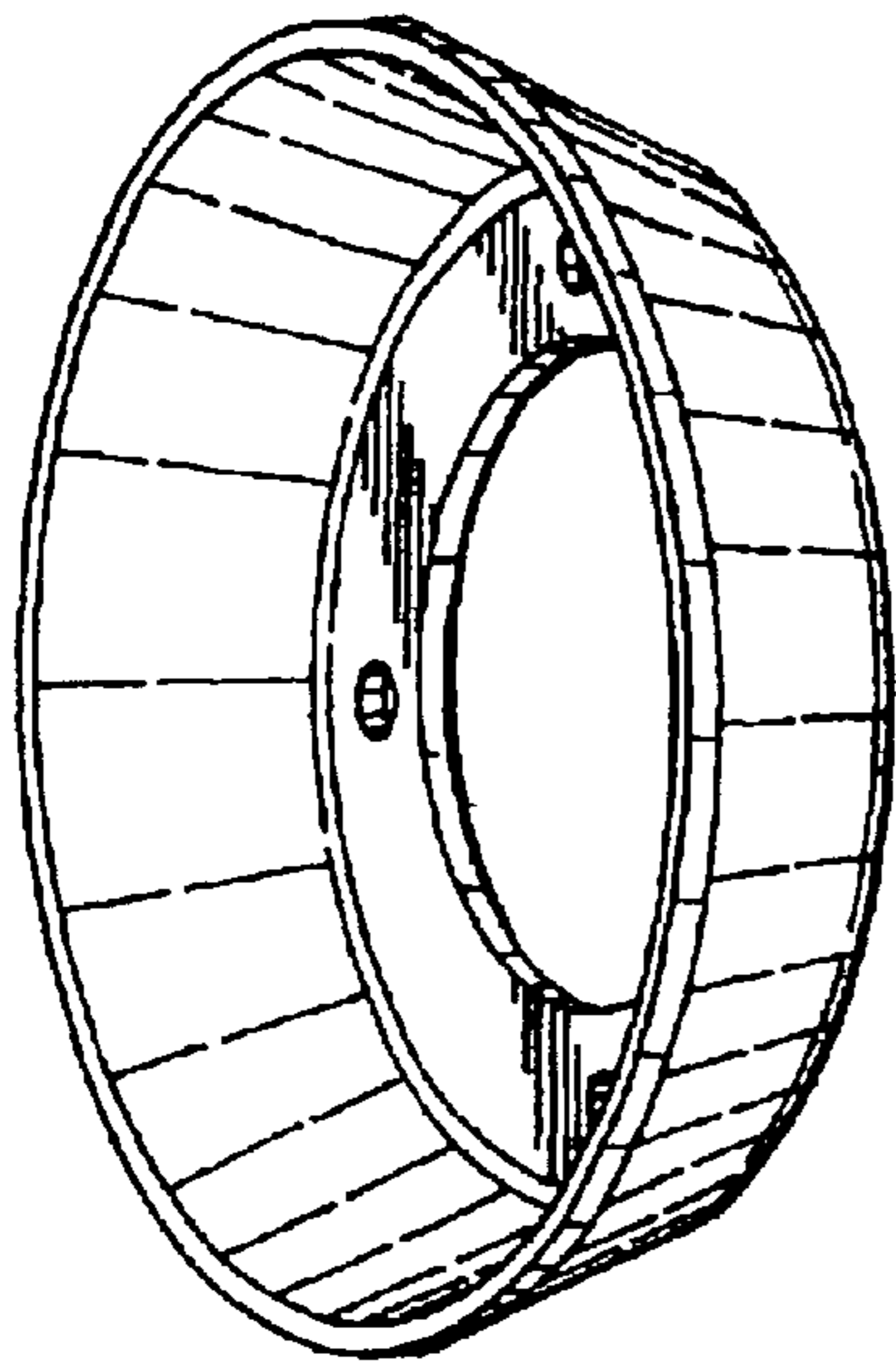


FIG. 1

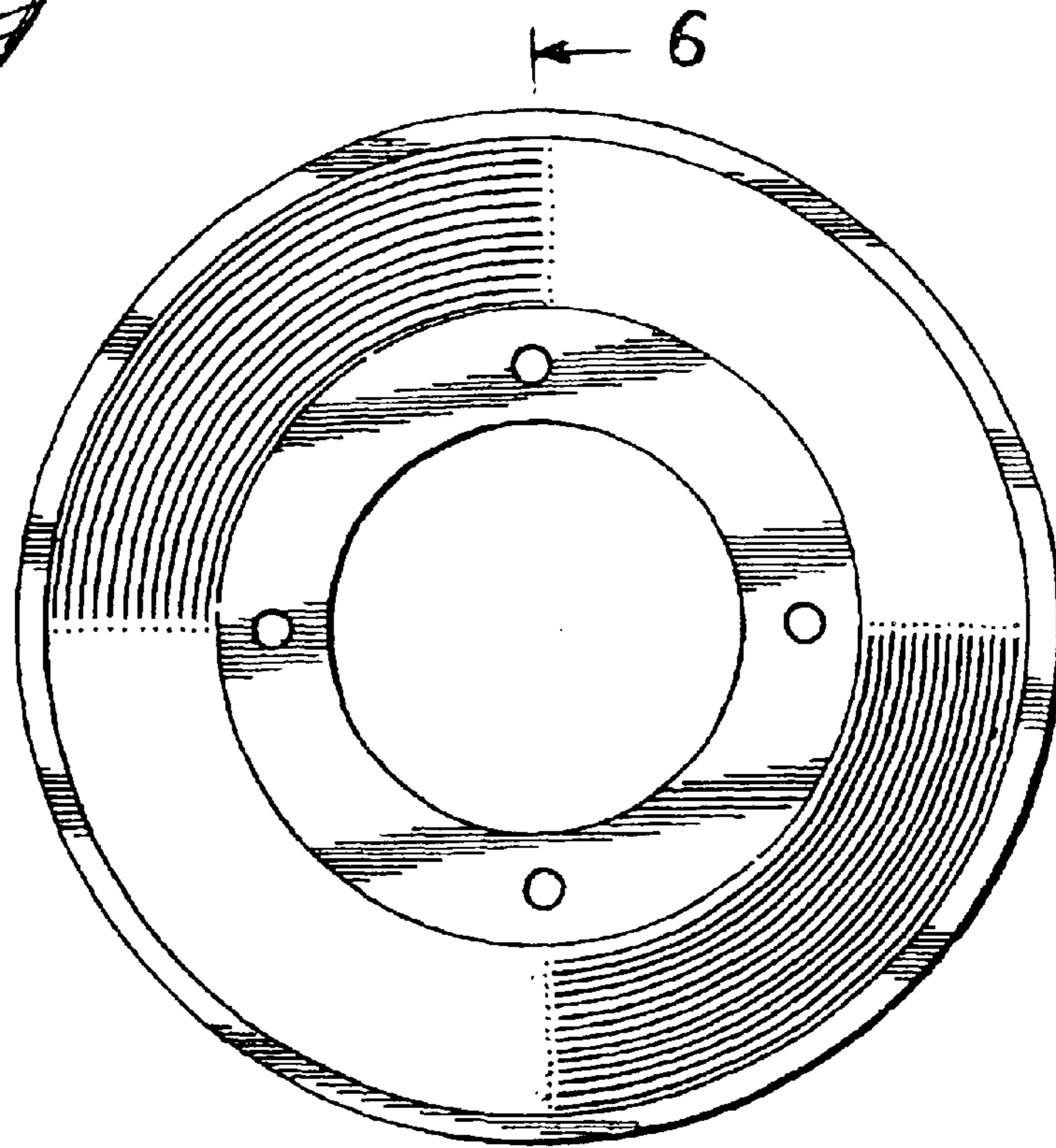


FIG. 2

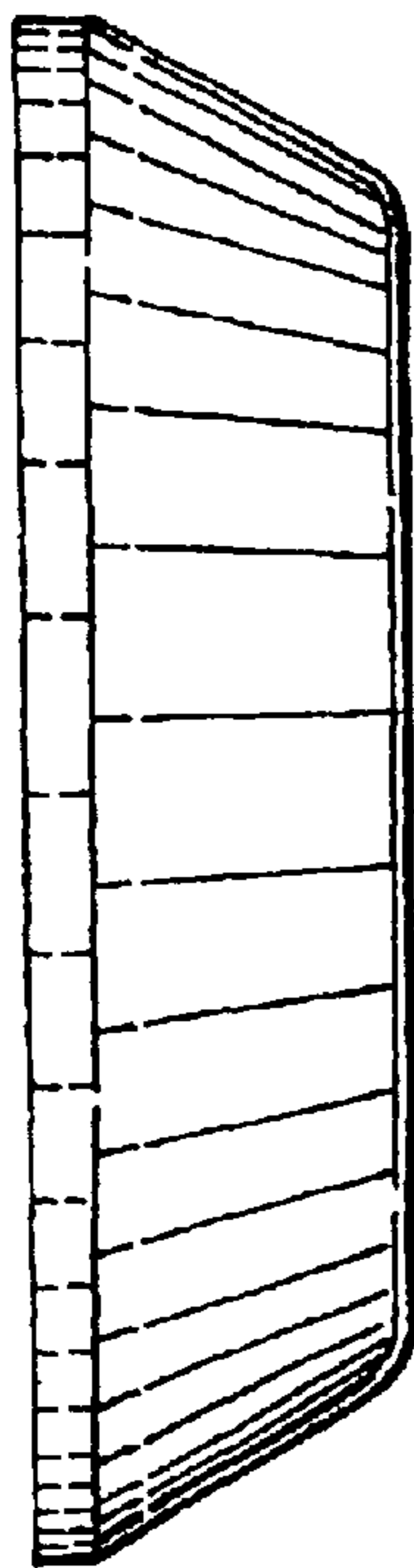


FIG. 3

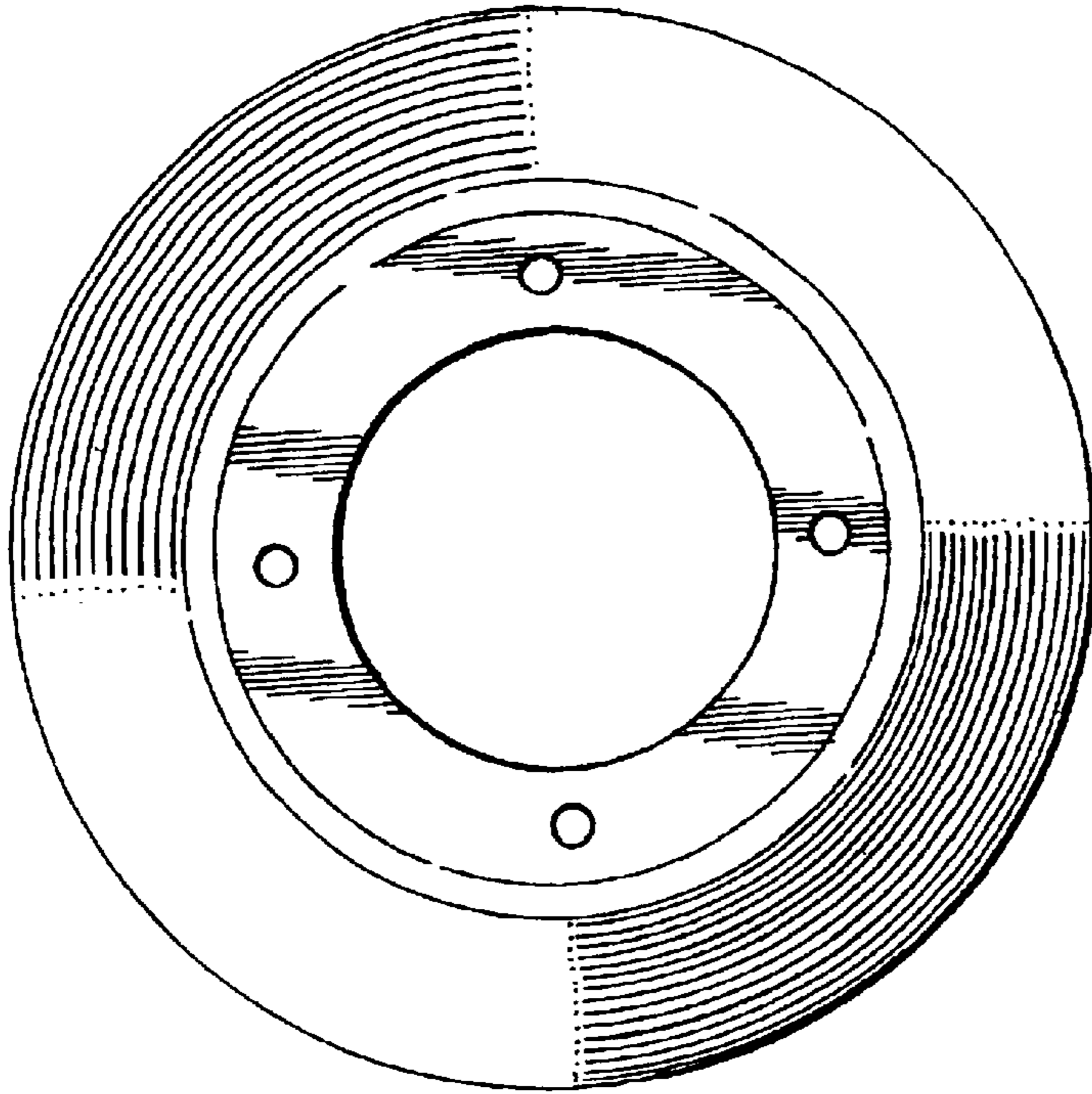


FIG. 4

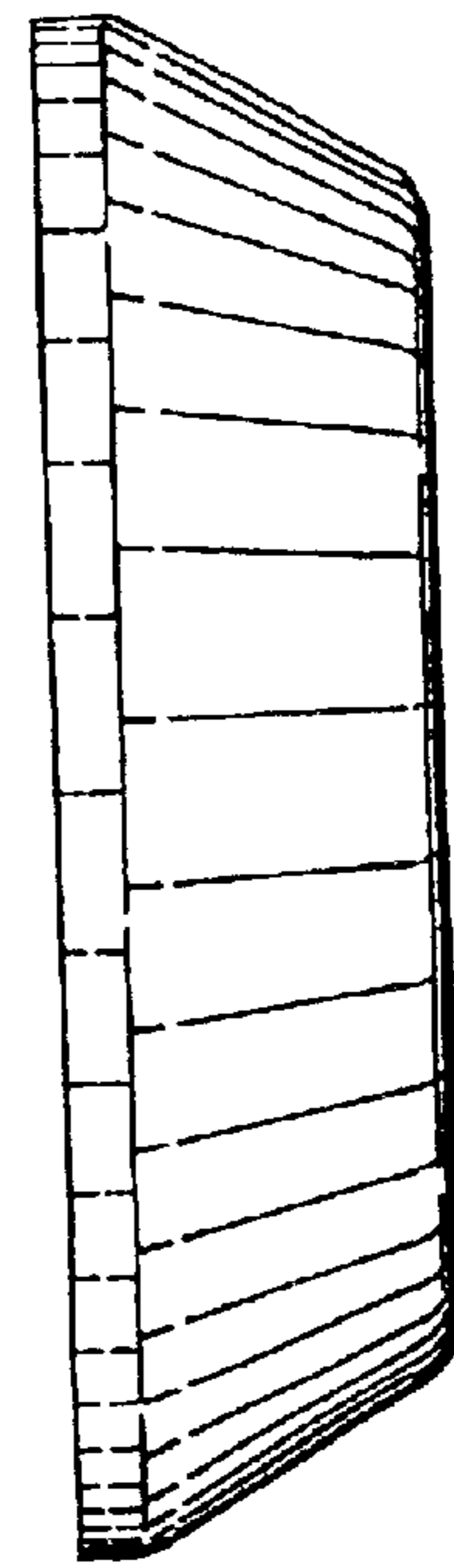


FIG. 5

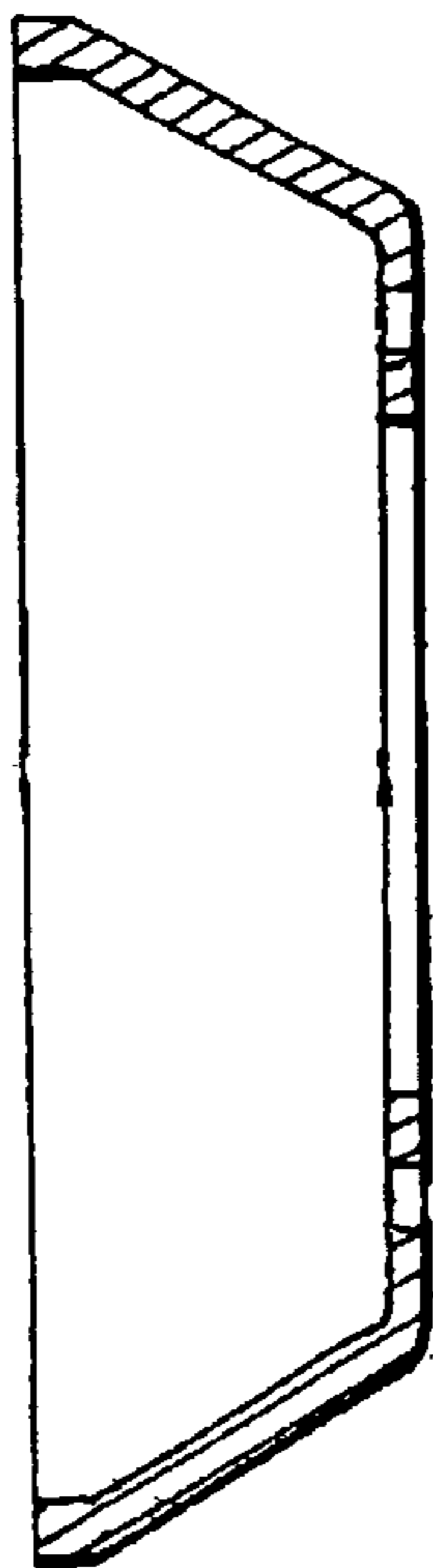


FIG. 6