



US00D526665S

(12) **United States Design Patent**  
**Hsiao**

(10) **Patent No.:** **US D526,665 S**

(45) **Date of Patent:** **\*\* Aug. 15, 2006**

(54) **AIR COMPRESSOR**

D498,482 S \* 11/2004 Hsiao ..... D15/9  
D502,709 S \* 3/2005 Hsiao ..... D15/9

(76) Inventor: **E-Ming Hsiao**, No. 427, Sec. 2,  
Doou-Chung Rd., Tien-Chung,  
Chang-Hwa (TW)

\* cited by examiner

(\*\*) Term: **14 Years**

*Primary Examiner*—Ralf Seifert  
(74) *Attorney, Agent, or Firm*—Rosenberg, Klein & Lee

(21) Appl. No.: **29/234,332**

(57) **CLAIM**

(22) Filed: **Jul. 18, 2005**

The ornamental design for an air compressor, as shown and described.

(51) **LOC (8) Cl.** ..... **15-02**

(52) **U.S. Cl.** ..... **D15/9**

(58) **Field of Classification Search** ..... D15/7-9;  
D23/232, 231; 417/359, 415-416, 410.1,  
417/321, 265, 405

See application file for complete search history.

**DESCRIPTION**

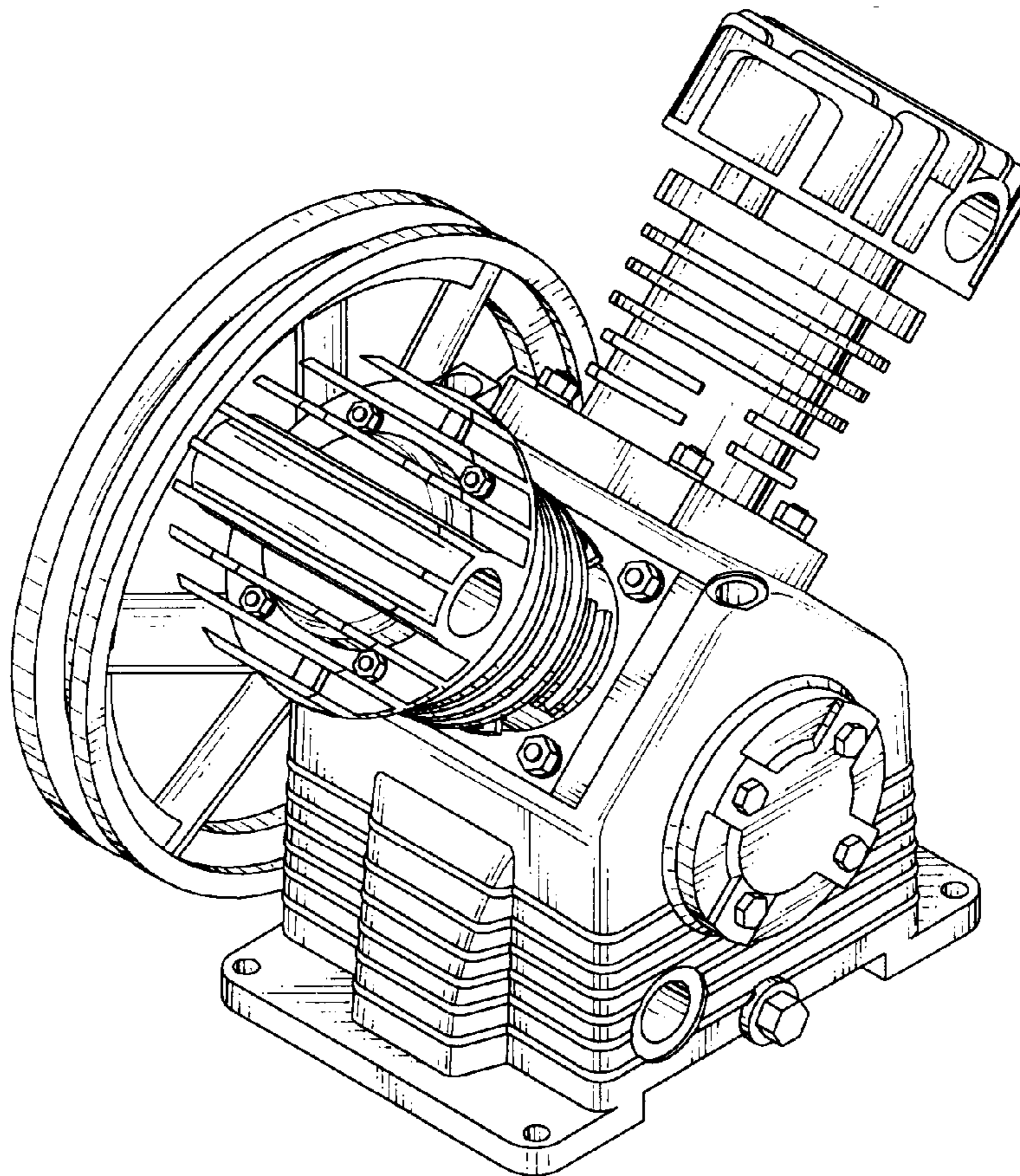
FIG. 1 is a perspective view of an air compressor, showing my new design;  
FIG. 2 is a front view thereof;  
FIG. 3 is a rear view thereof;  
FIG. 4 is a left side view thereof;  
FIG. 5 is a right side view thereof;  
FIG. 6 is a top view thereof;  
FIG. 7 is a bottom view thereof; and,  
FIG. 8 is a perspective view showing an embodiment of the claimed design, wherein the broken lines are shown for illustrative purposes only and form no part of the claimed design.

(56) **References Cited**

**U.S. PATENT DOCUMENTS**

|            |   |         |                |       |       |
|------------|---|---------|----------------|-------|-------|
| D395,899 S | * | 7/1998  | Plummer et al. | ..... | D15/7 |
| D419,162 S | * | 1/2000  | Wise et al.    | ..... | D15/9 |
| D435,050 S | * | 12/2000 | Wise et al.    | ..... | D15/9 |
| D484,891 S | * | 1/2004  | Hsiao          | ..... | D15/9 |
| D490,823 S | * | 6/2004  | Hsiao          | ..... | D15/9 |
| D492,700 S | * | 7/2004  | Hsiao          | ..... | D15/7 |

**1 Claim, 5 Drawing Sheets**



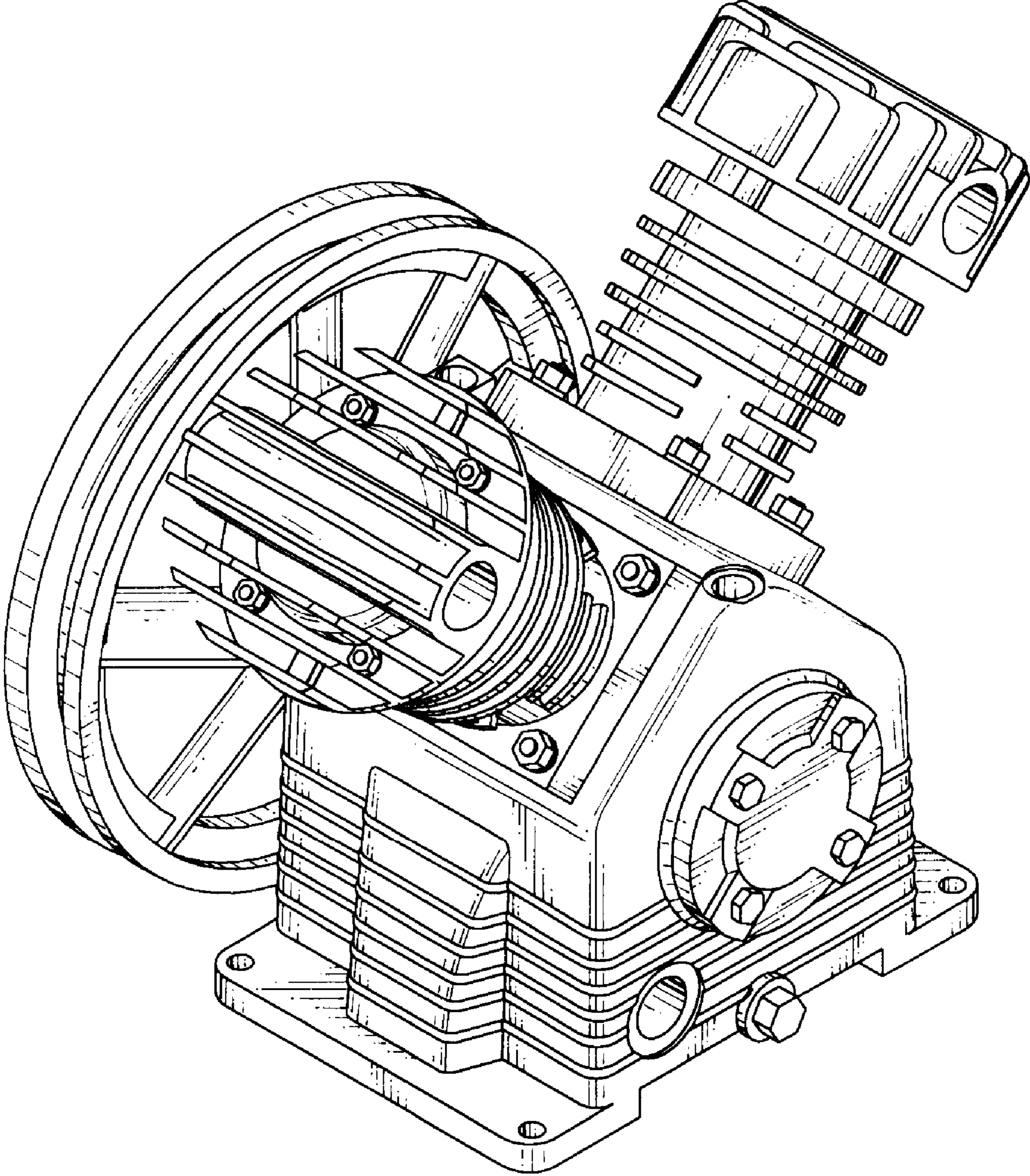


FIG.1

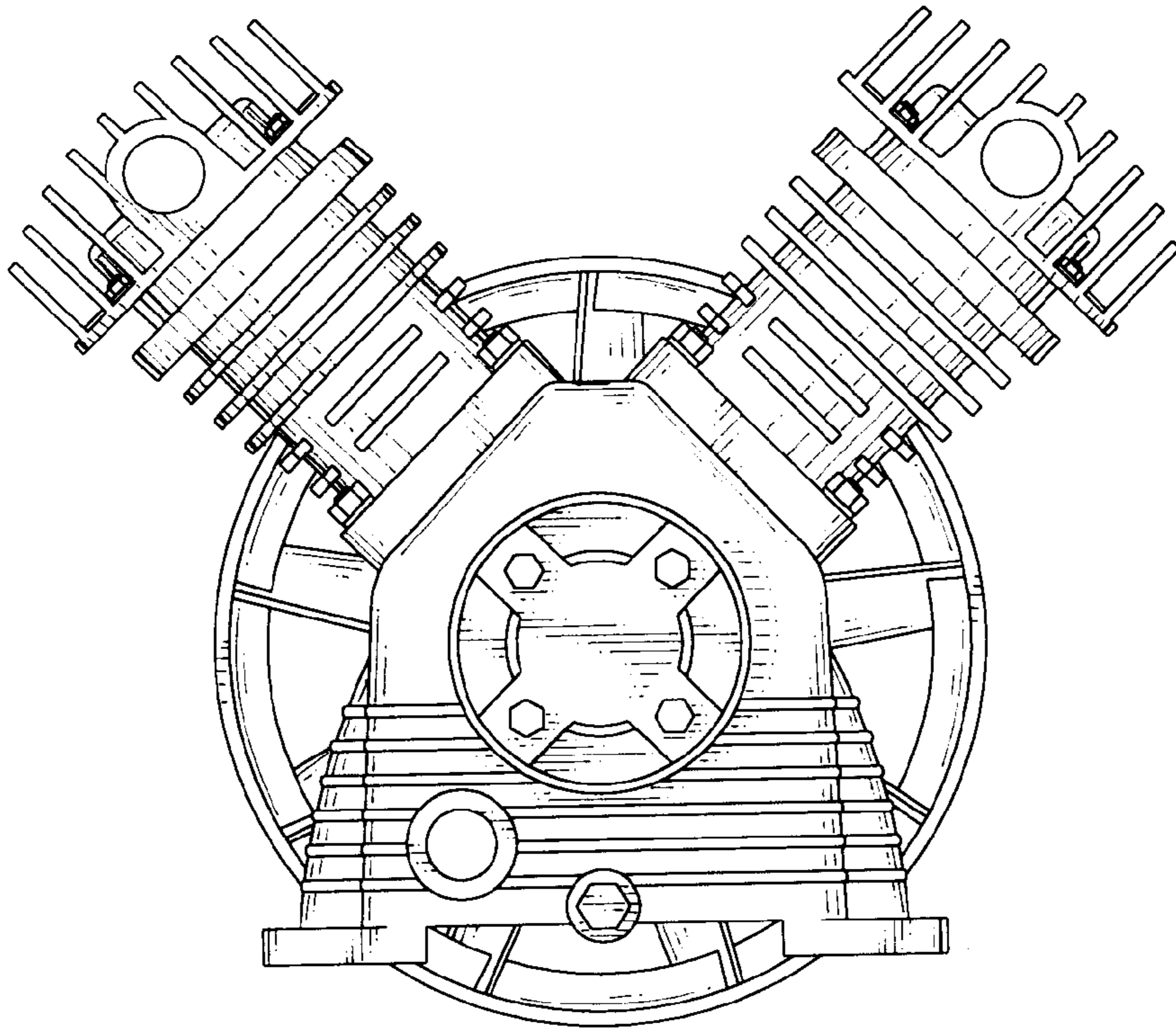


FIG. 2

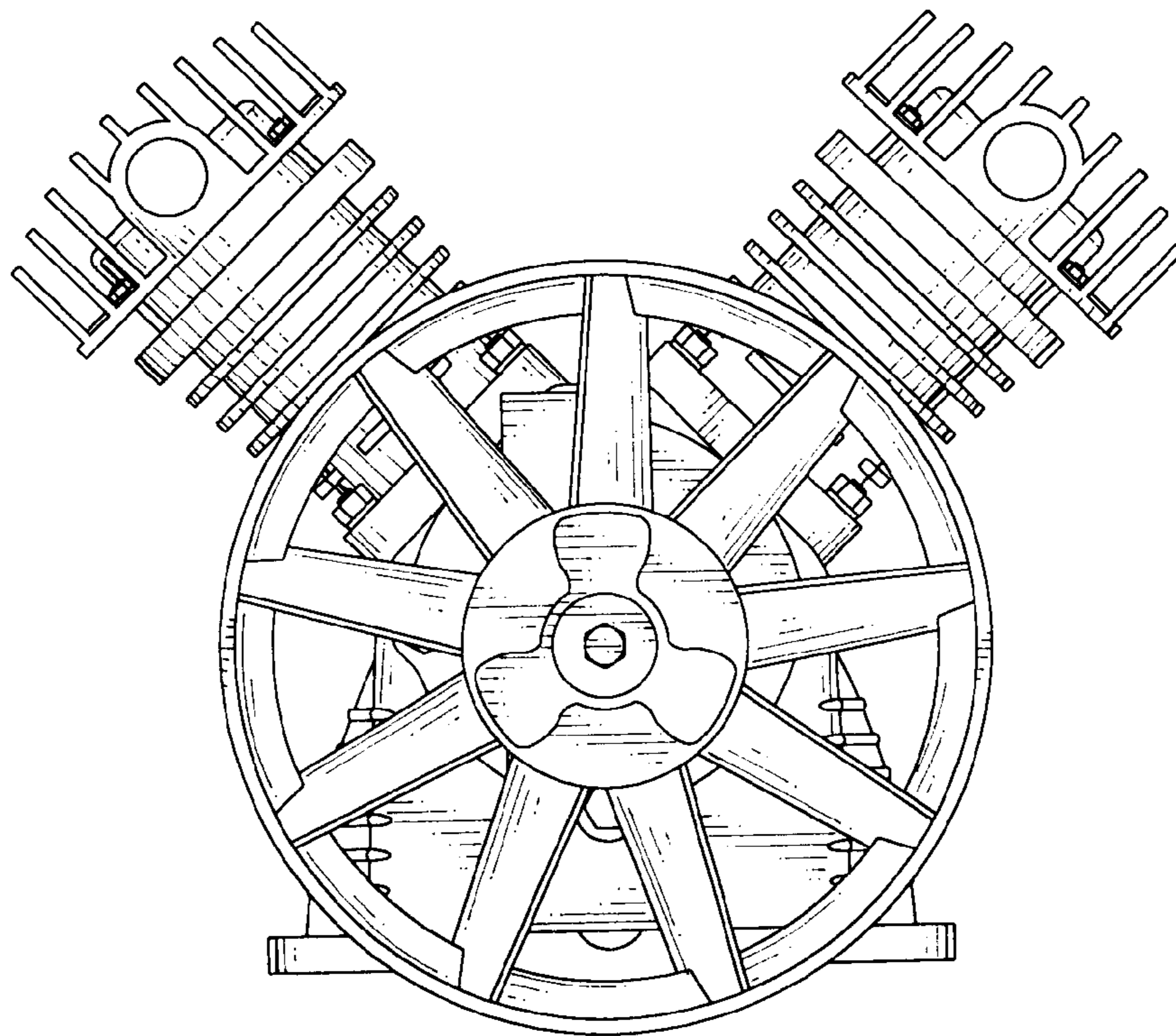


FIG. 3

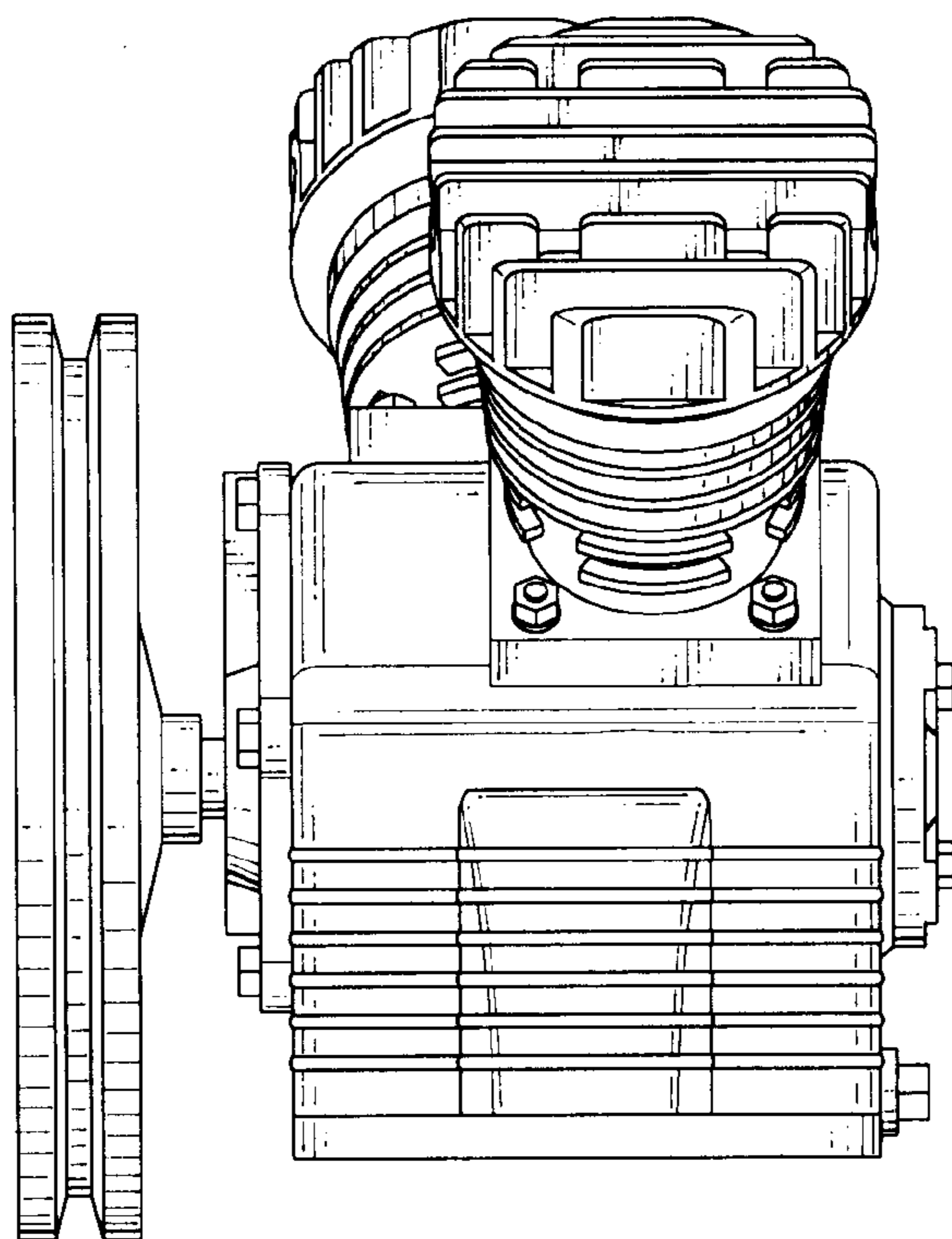


FIG. 4

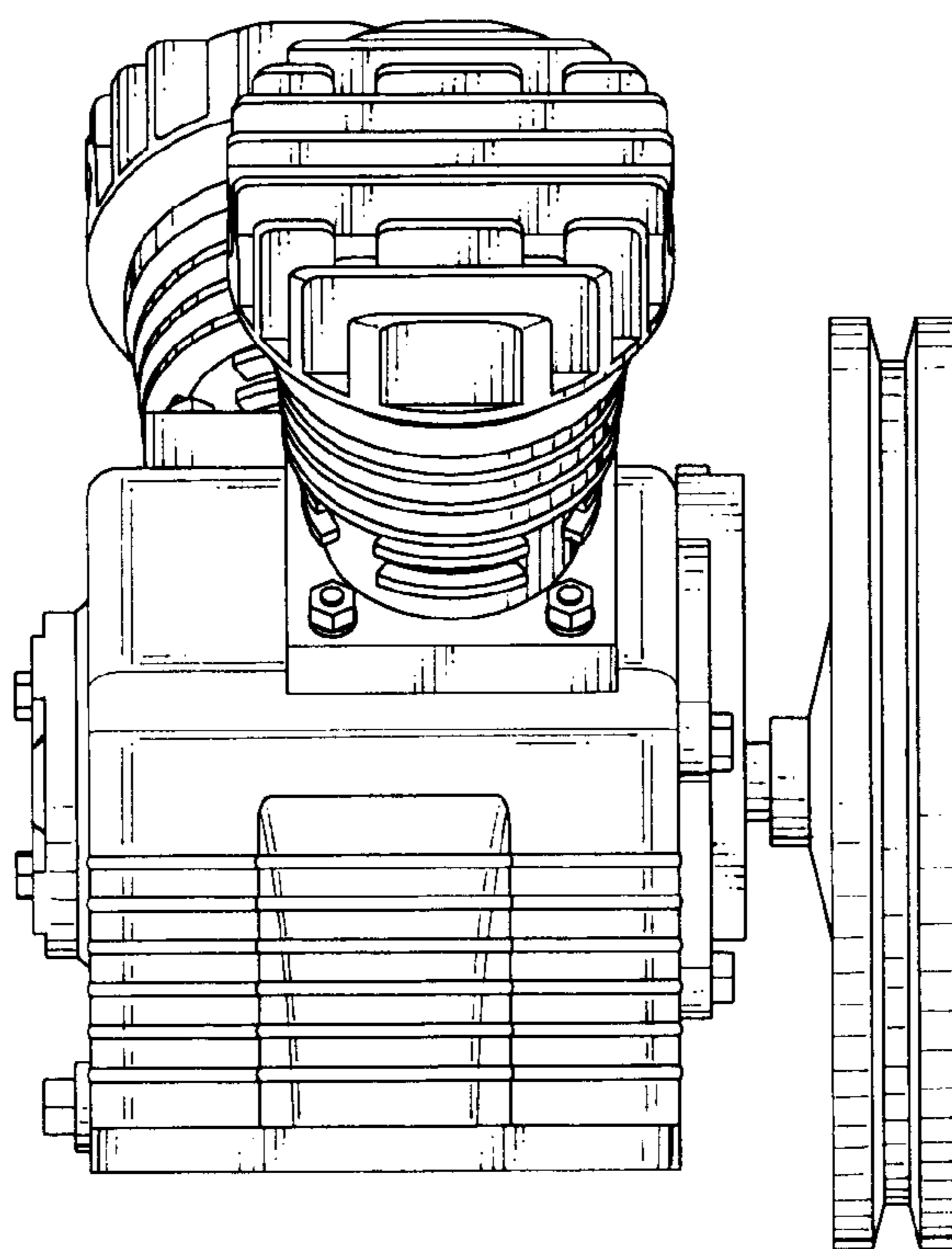


FIG. 5

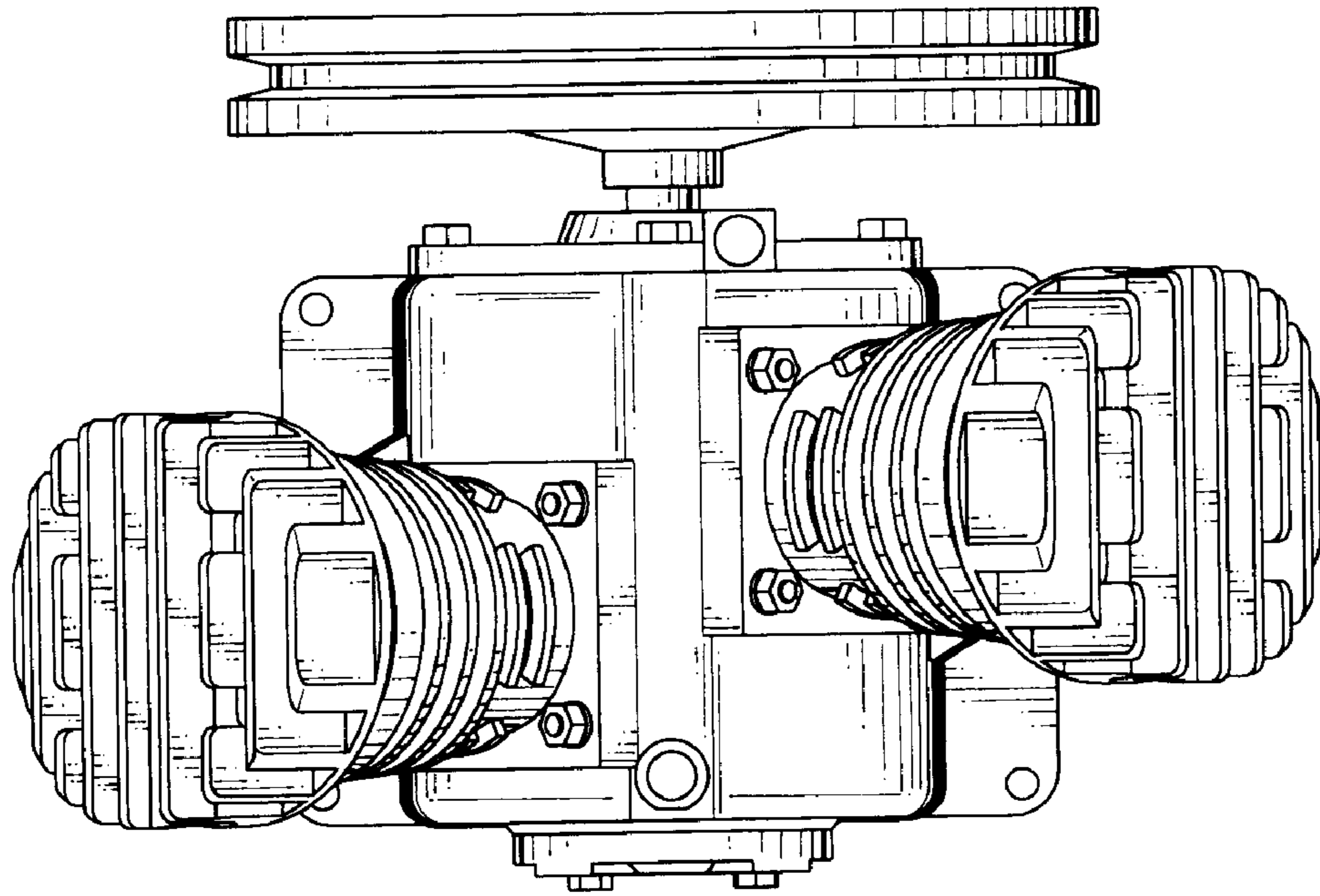


FIG. 6

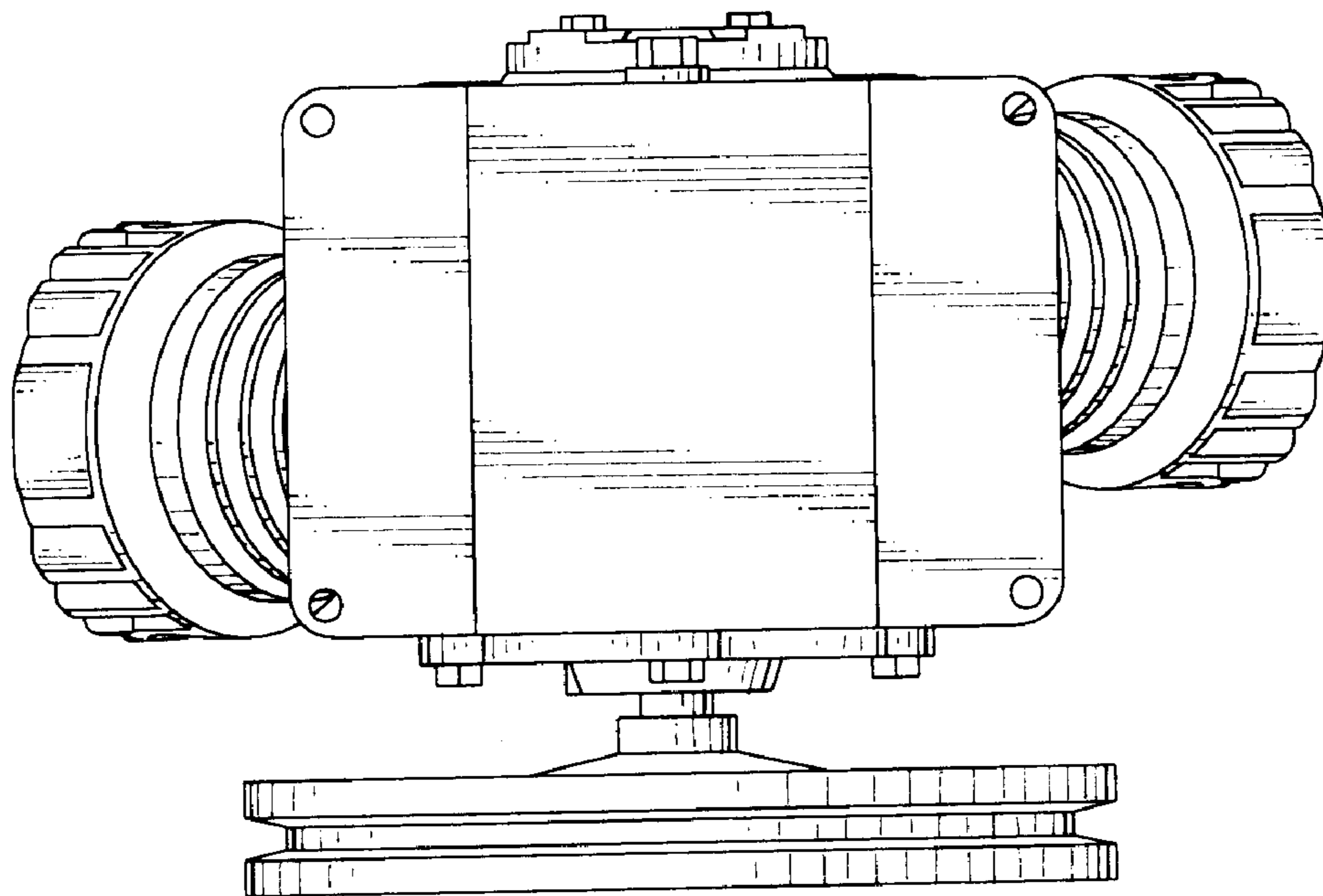


FIG. 7

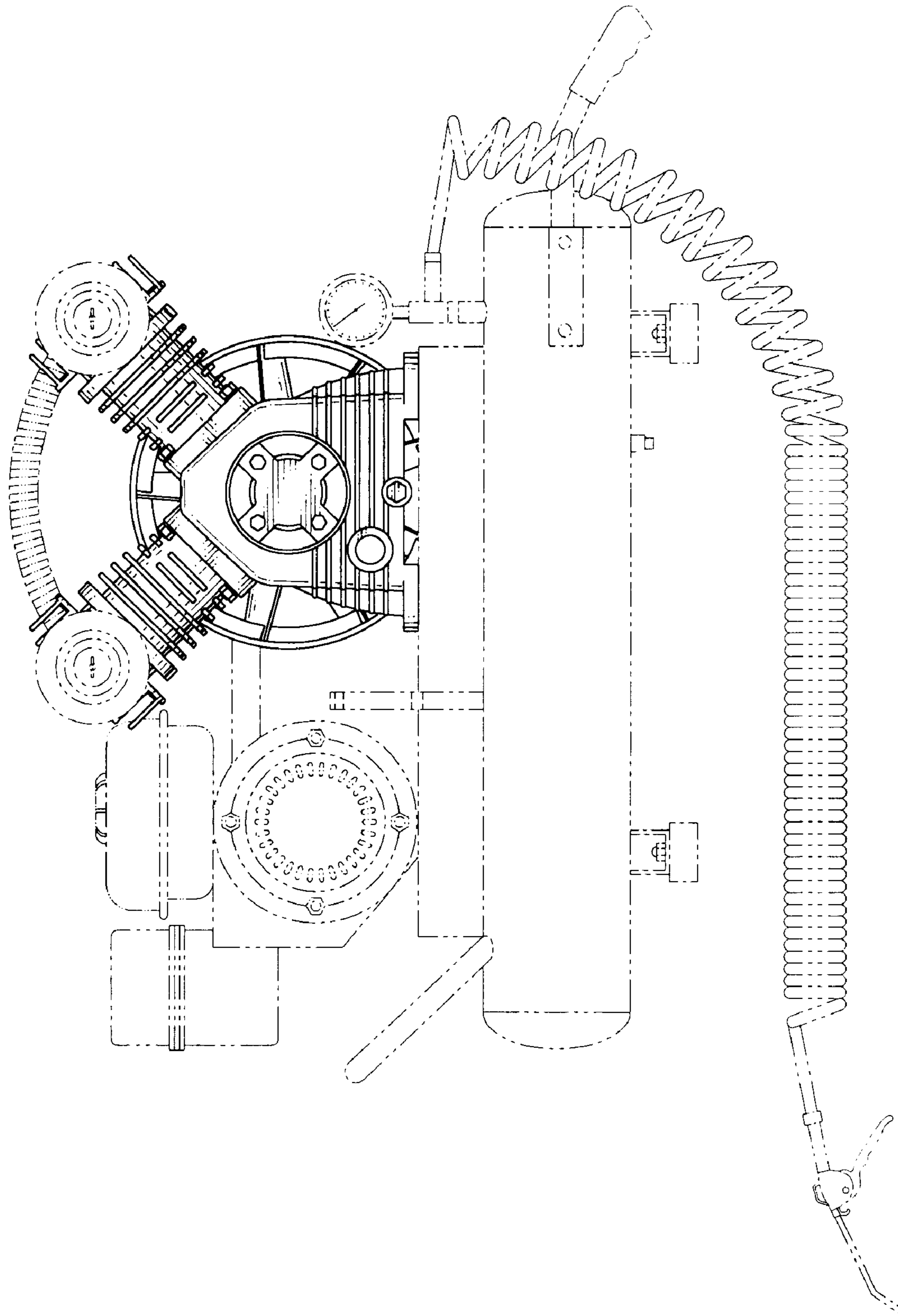


FIG.8