

US00D526664S

(12) **United States Design Patent**  
**Bowen**

(10) **Patent No.:** **US D526,664 S**

(45) **Date of Patent:** **\*\* Aug. 15, 2006**

(54) **SINGLE CYLINDER PISTON PUMP**

(75) Inventor: **Jeffrey L. Bowen**, Aurelia, IA (US)

(73) Assignee: **Geo Loop, Inc.**, Aurelia, IA (US)

(\*\*) Term: **14 Years**

(21) Appl. No.: **29/228,829**

(22) Filed: **Apr. 27, 2005**

(51) **LOC (8) Cl.** ..... **15-02**

(52) **U.S. Cl.** ..... **D15/7**

(58) **Field of Classification Search** ..... D15/7-9;  
D23/232, 231; 417/359, 415-416, 410.1,  
417/321, 265, 405-409; 418/40; 415/219 R,  
415/DIG. 6

See application file for complete search history.

(56) **References Cited**

U.S. PATENT DOCUMENTS

D240,272 S	6/1976	Philpott	
D254,671 S	* 4/1980	Johnson et al. ....	D15/7
4,406,595 A	9/1983	Robertson	
D271,493 S	* 11/1983	McMullen .....	D15/7
4,439,200 A	3/1984	Meyer	
D292,978 S	12/1987	Hansen	
D294,947 S	3/1988	Wilden	
D295,522 S	* 5/1988	Martin et al. ....	D15/7

5,055,007 A	10/1991	Geddings	
D325,387 S	4/1992	Rupe	
D327,275 S	* 6/1992	Sheldon .....	D15/7
D331,412 S	12/1992	Wilden	
D405,454 S	2/1999	Bowen	
D497,915 S	* 11/2004	Bowen .....	D15/7

\* cited by examiner

*Primary Examiner*—Ralf Seifert

(74) *Attorney, Agent, or Firm*—McKee, Voorhees & Sease, P.L.C.

(57) **CLAIM**

I claim the ornamental design for a single cylinder piston pump, or similar article substantially as shown.

**DESCRIPTION**

FIG. 1 is a front elevation view of the single cylinder piston pump of the present invention.

FIG. 2 is a rear elevation view of the pump.

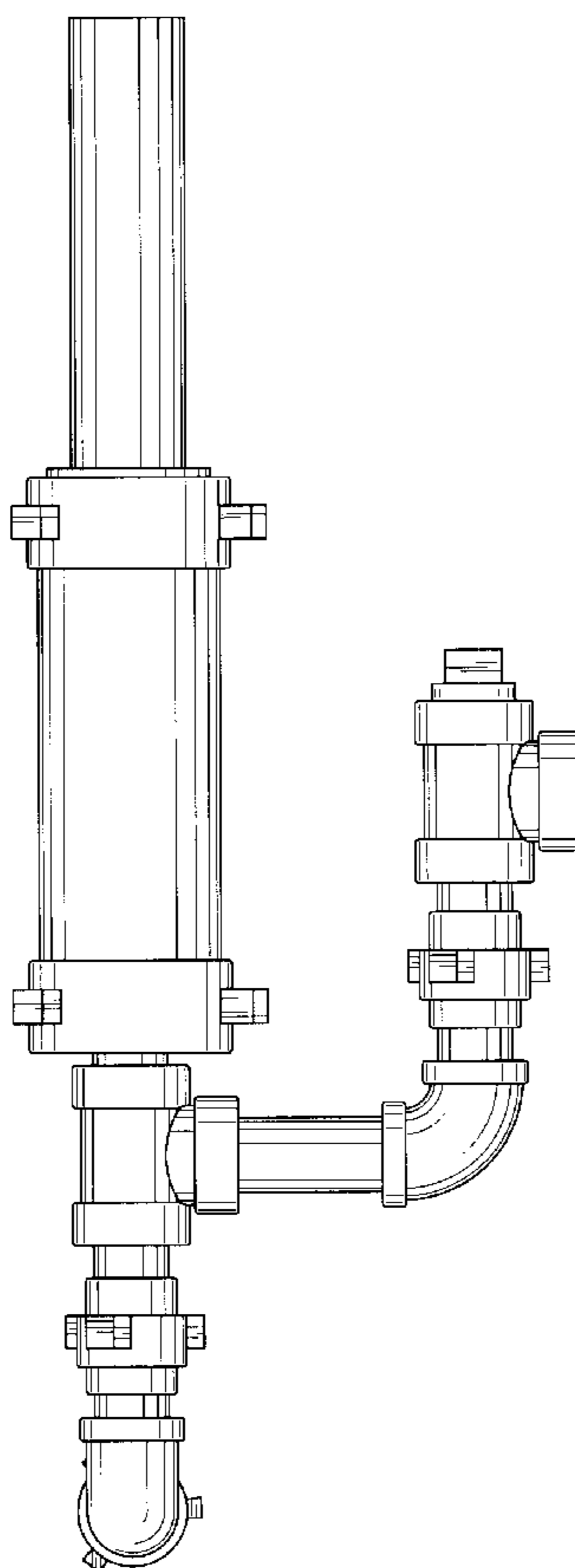
FIGS. 3 and 4 are side elevation views from opposite sides of the pump.

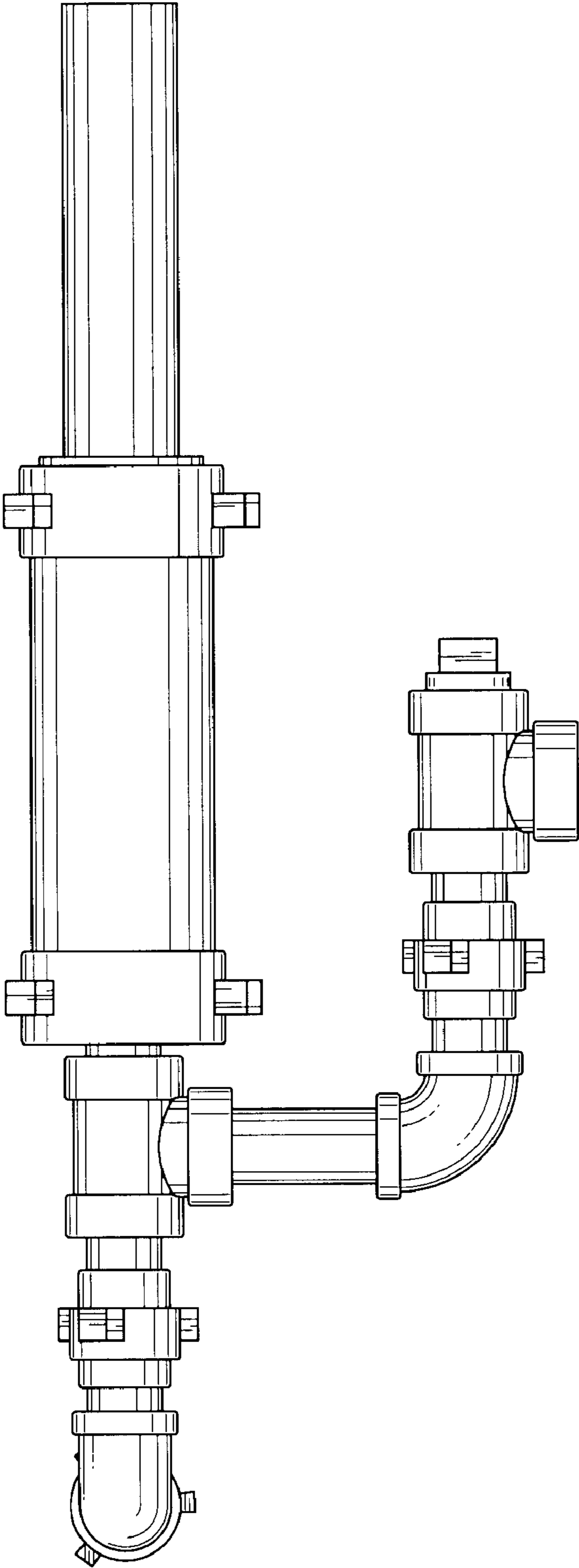
FIG. 5 is a top plan view of the pump; and,

FIG. 6 is a bottom plan view of the pump.

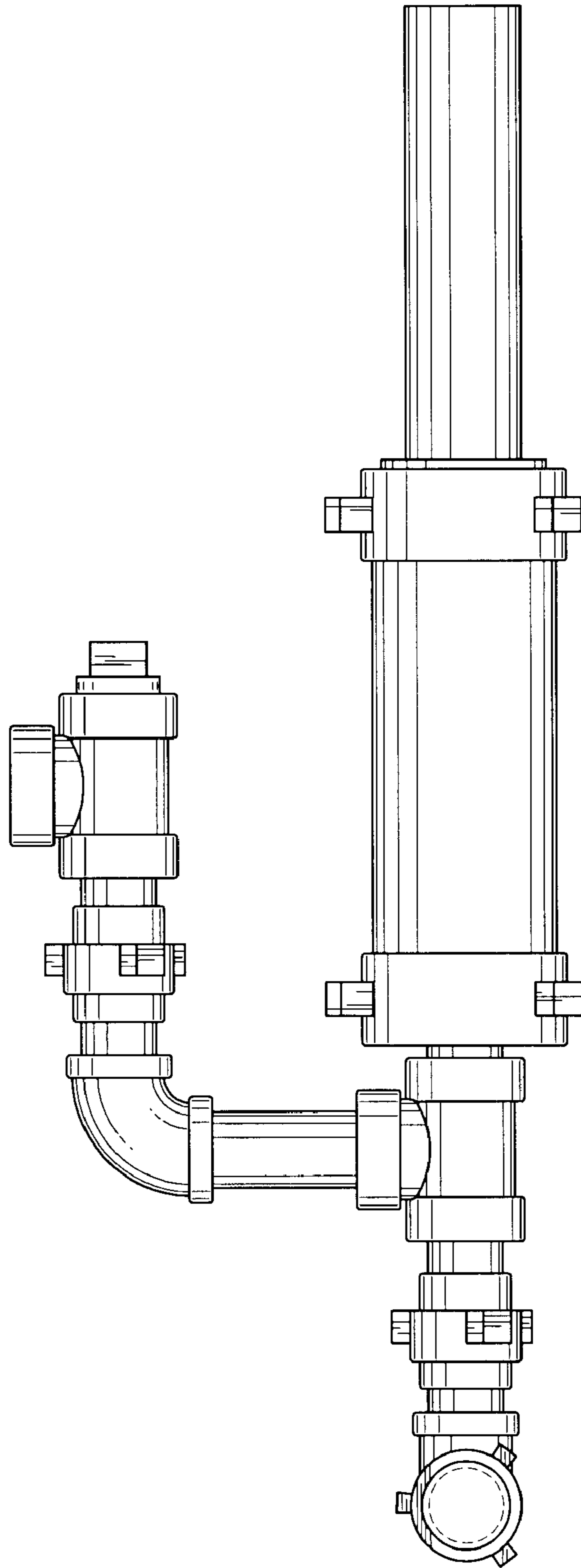
It being understood that the broken lines are for exemplary illustrative purposes only and form no part of the claimed design.

**1 Claim, 4 Drawing Sheets**

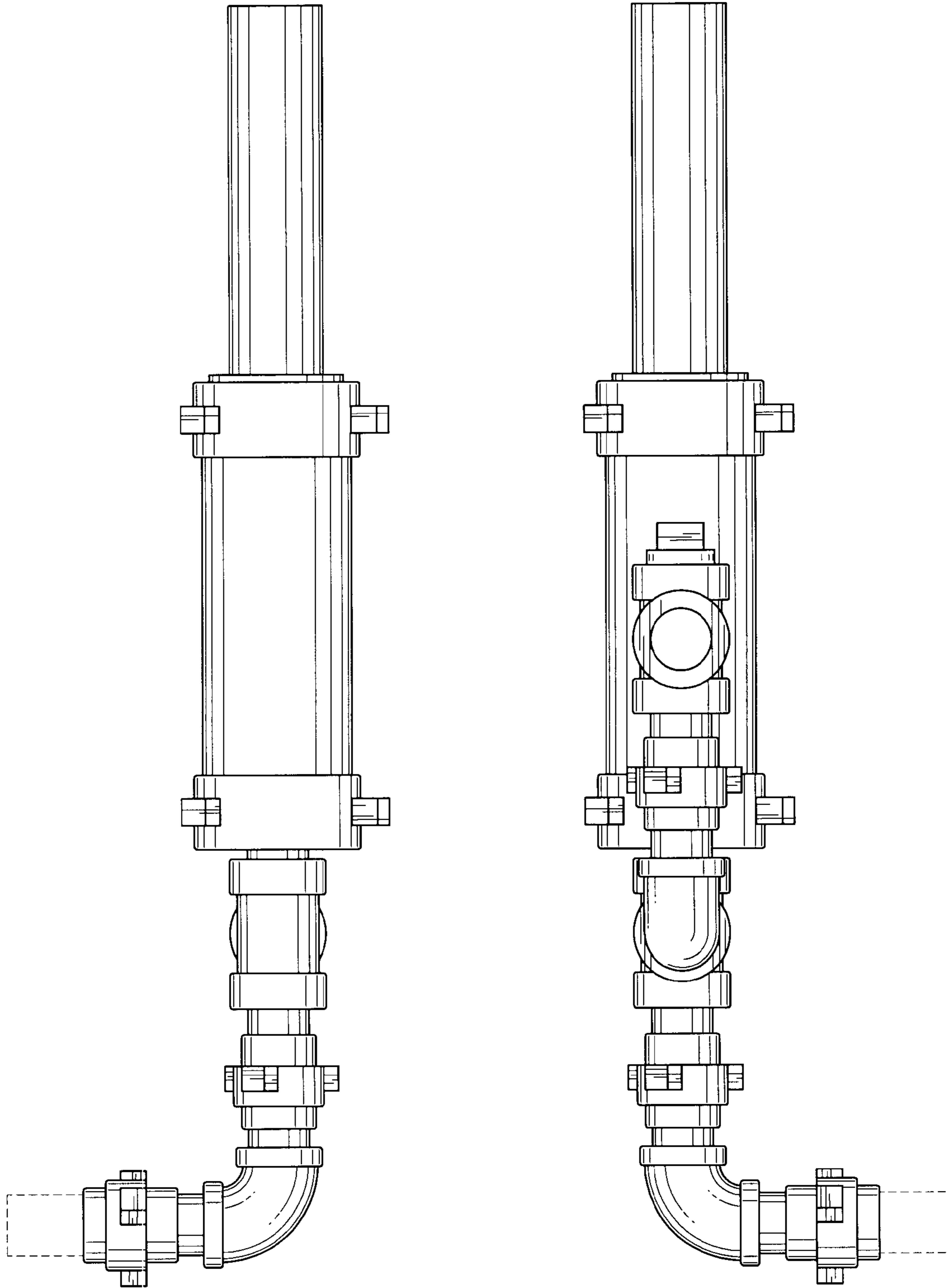




*Fig. 1*

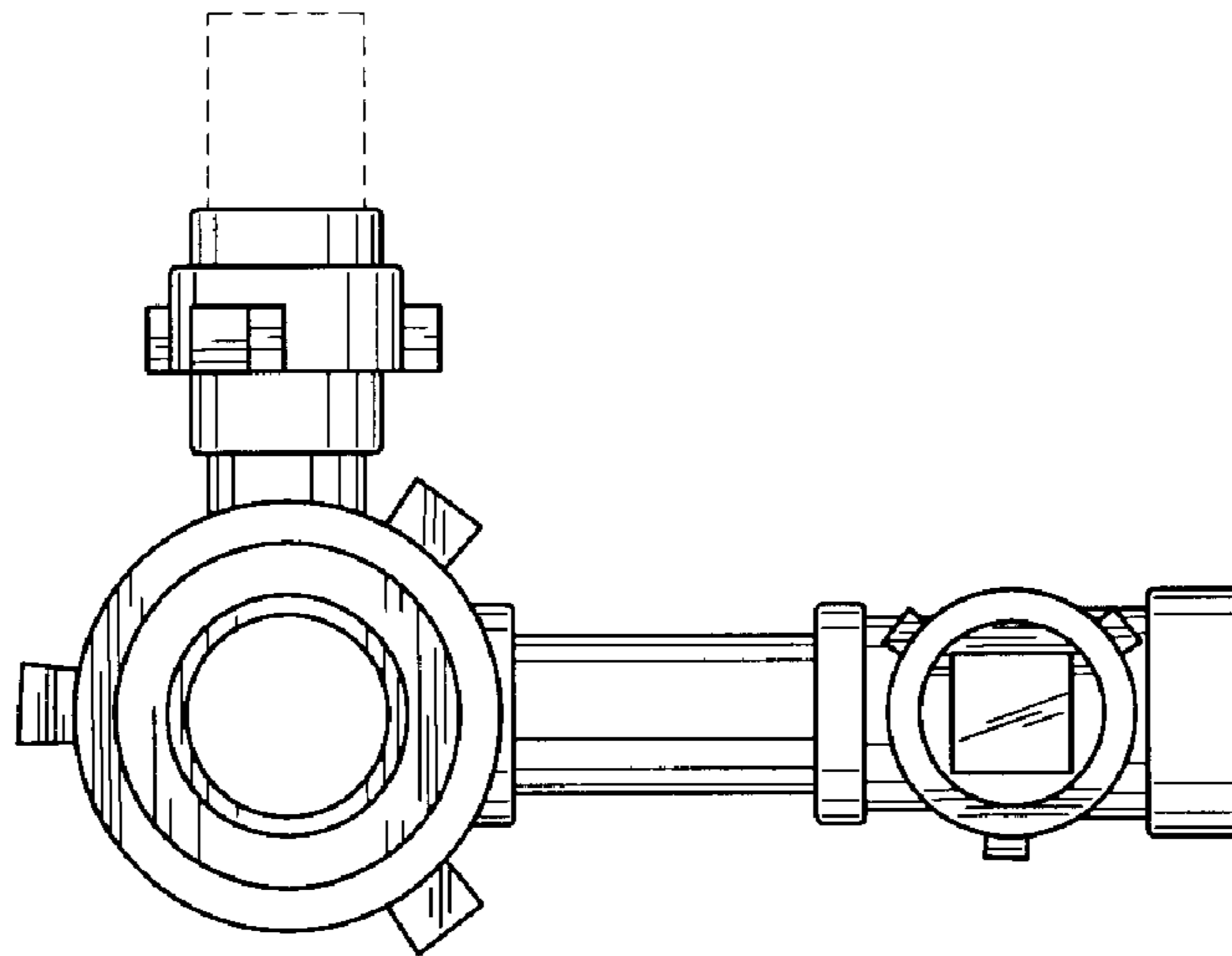


*Fig. 2*

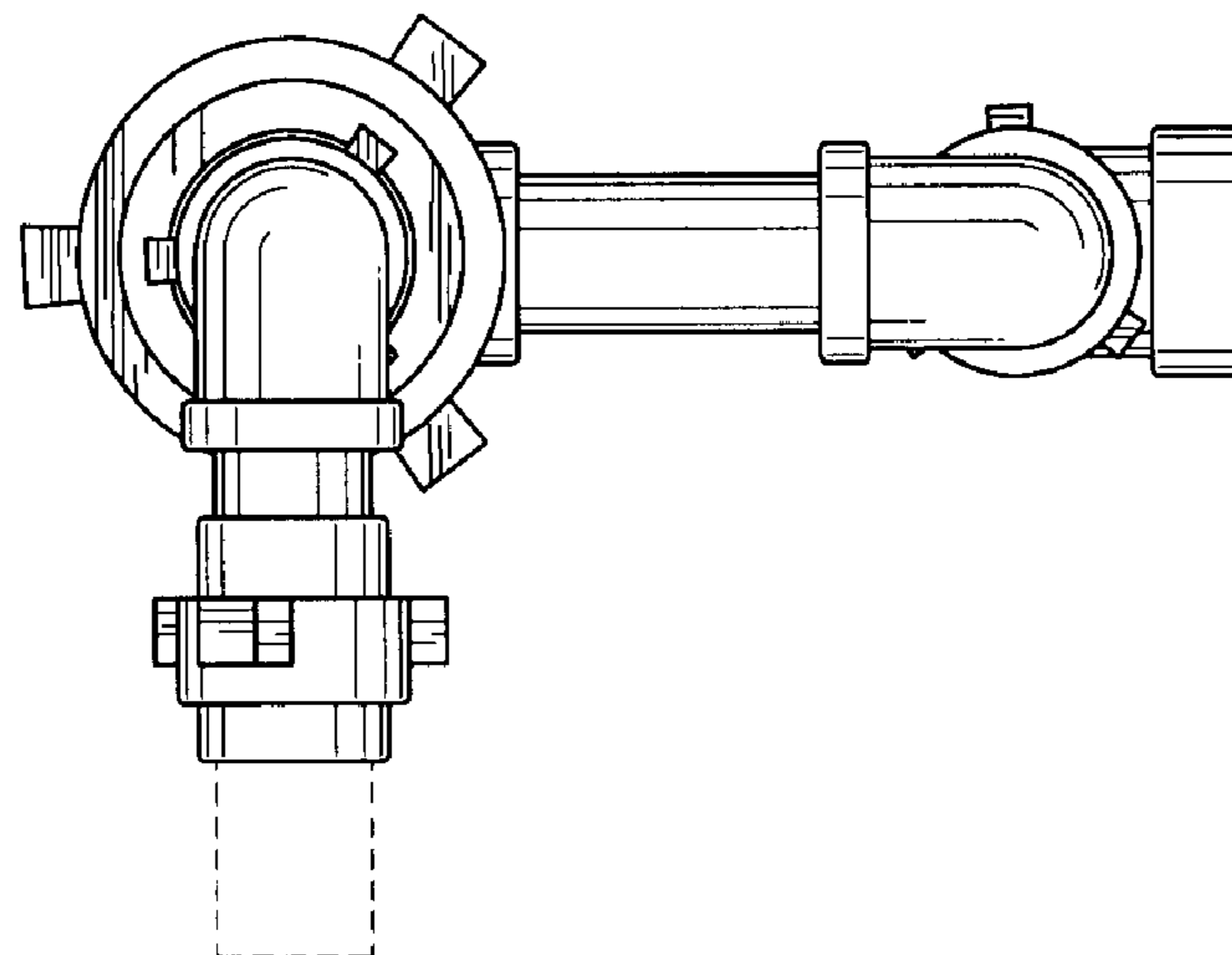


*Fig. 3*

*Fig. 4*



*Fig. 5*



*Fig. 6*