

US00D526663S

(12) **United States Design Patent**
Bang

(10) **Patent No.:** **US D526,663 S**

(45) **Date of Patent:** **** Aug. 15, 2006**

(54) **MP3 PLAYER**

(75) Inventor: **Yong-Seok Bang**, Seoul (KR)

(73) Assignee: **Samsung Electronics Co., Ltd.**,
Kyunggi-do (KR)

(**) Term: **14 Years**

(21) Appl. No.: **29/236,120**

(22) Filed: **Aug. 11, 2005**

(51) **LOC (8) Cl.** **14-03**

(52) **U.S. Cl.** **D14/496**

(58) **Field of Classification Search** D14/496,
D14/137, 138, 155, 156, 160, 168, 173, 188,
D14/265; 455/3.01, 3.06, 90.1-90.3, 347-351;
369/6-12, 75.11; 345/156, 1.1, 903, 905;
340/539.11, 825.25; 710/1, 8, 62-68, 72-74
See application file for complete search history.

(56) **References Cited**

U.S. PATENT DOCUMENTS

D350,351 S	*	9/1994	Nakamura	D14/156
D433,008 S	*	10/2000	Pardo	D14/168
D461,787 S	*	8/2002	Brown	D14/156
D476,304 S	*	6/2003	Fox et al.	D14/156
D481,372 S	*	10/2003	Brown	D14/156
D496,668 S	*	9/2004	Huang	D14/496
7,000,273 B1	*	2/2006	Rivera-Wienhold et al.	...	5/632
7,004,469 B1	*	2/2006	von Goeben	273/348
7,006,408 B1	*	2/2006	Chen	368/10

OTHER PUBLICATIONS

U.S. Appl. No. 29/231,248, Applicant: Young Soo Kim, et al., filed Jun. 2, 2005 entitled MP3 Player.

U.S. Appl. No. 29/235,008, Applicant: Seog-Guen Kim, filed Jul. 26, 2005 entitled MP3 Player for Combined Digital Camera.

U.S. Appl. No. 29/235,010, Applicant: Wesley Millora, filed Jul. 26, 2005 entitled MP3 Player.

U.S. Appl. No. 29/235,011, Applicant: Dong-Min Lee, filed Jul. 26, 2005 entitled MP3 Player.

U.S. Appl. No. 29/235,012, Applicant: Tae-Ho Kim, filed Jul. 26, 2005 entitled Digital Camera for Combining MP3 Player.

U.S. Appl. No. 29/235,013, Applicant: Byung-Soo Kim, filed Jul. 26, 2005 entitled MP3 Player.

U.S. Appl. No. 29/235,014, Applicant: Tae-Ho Kim, filed Jul. 26, 2005 entitled MP3 Player.

U.S. Appl. No. 29/235,015, Applicant: Seog-Guen Kim, filed Jul. 26, 2005 entitled MP3 Player for Combining Digital Camera.

U.S. Appl. No. 29/236,250, Applicant: James Choe, filed Aug. 12, 2005 entitled MP3 Player.

* cited by examiner

Primary Examiner—Prabhakar Deshmukh

(74) *Attorney, Agent, or Firm*—Flynn, Thiel, Boutell & Tanis, P.C.

(57) **CLAIM**

The ornamental design for a MP3 player, as shown and described.

DESCRIPTION

FIG. 1. is a top front perspective view of a MP3 player showing my new design.

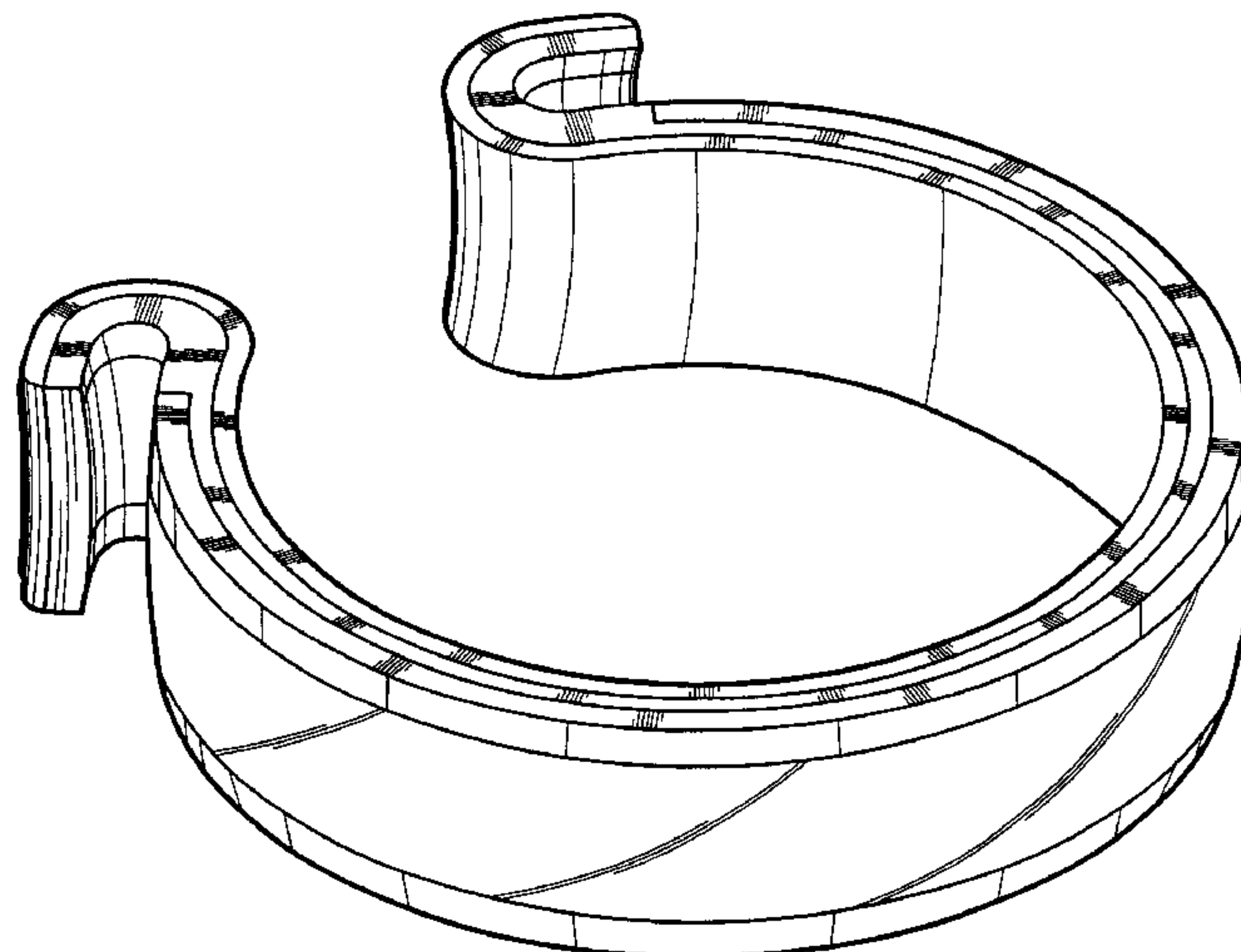
FIG. 2. is a front elevational view thereof.

FIG. 3. is a rear elevational view thereof.

FIG. 4. is a left side elevational view thereof. (a right side elevational view is symmetrical to the left side elevational view.); and,

FIG. 5. is a top plan view thereof. (a bottom plan view is symmetrical to the top plan view.)

1 Claim, 4 Drawing Sheets



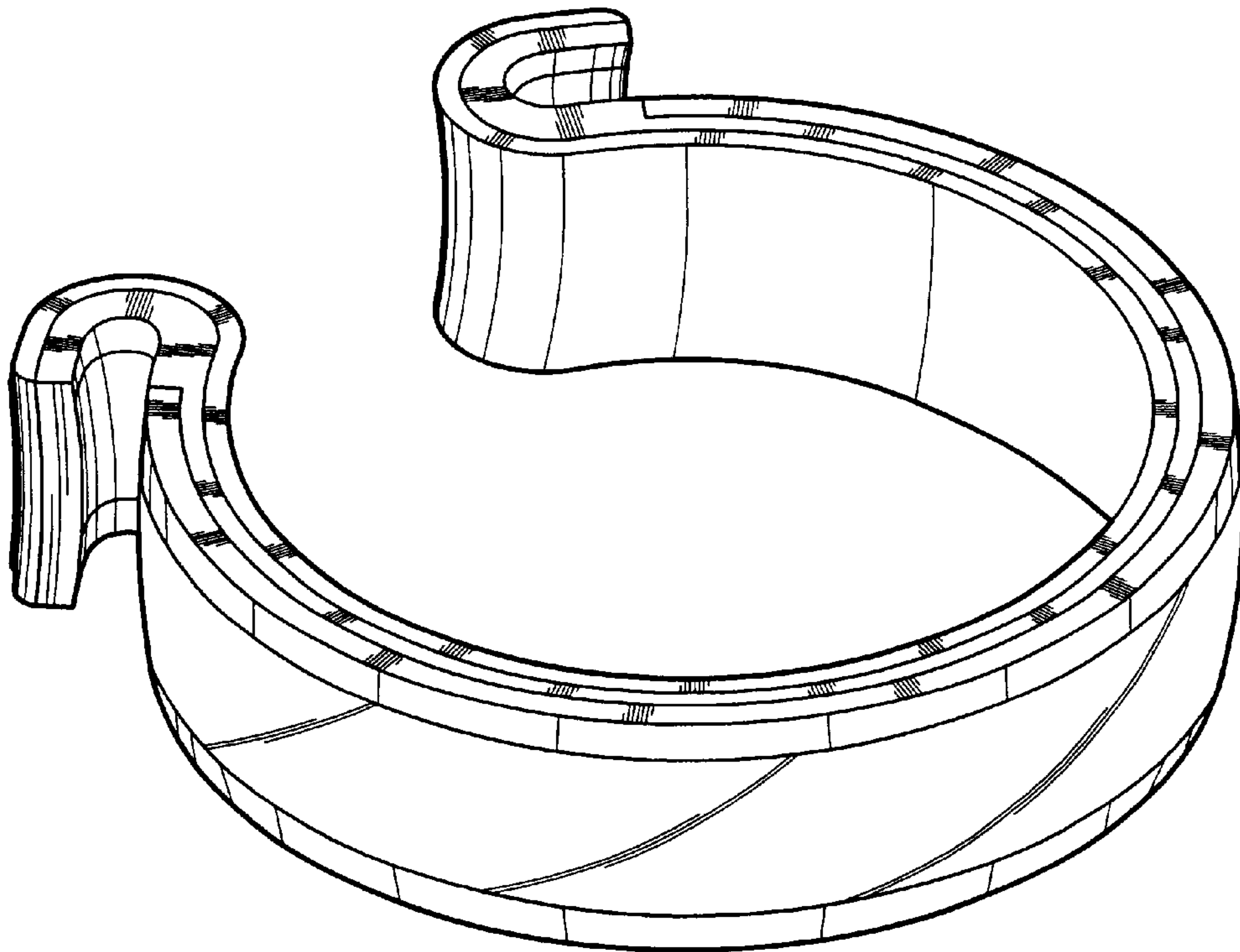


FIG. 1

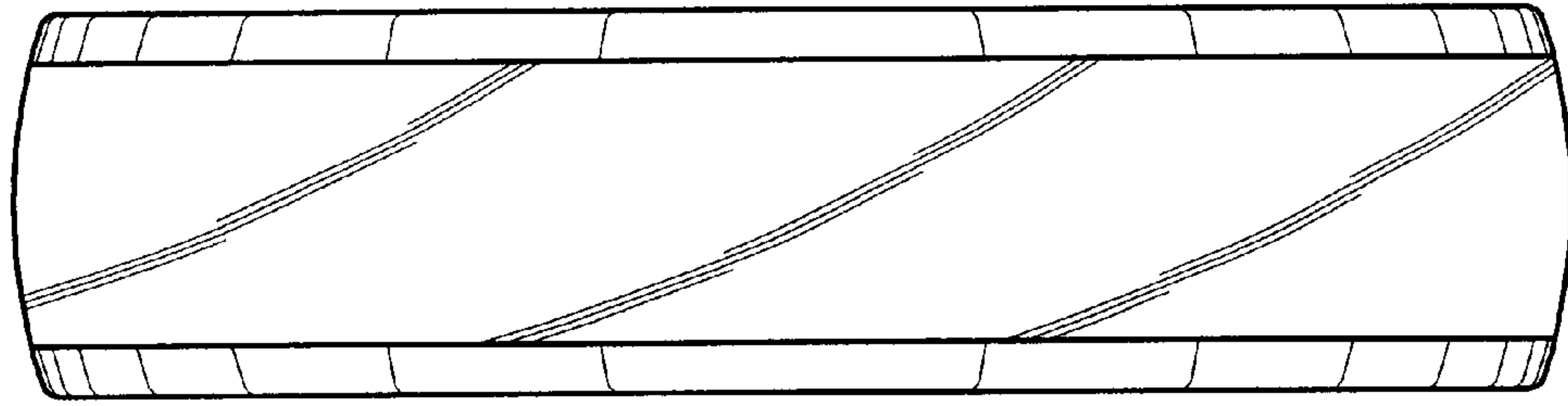


FIG. 2

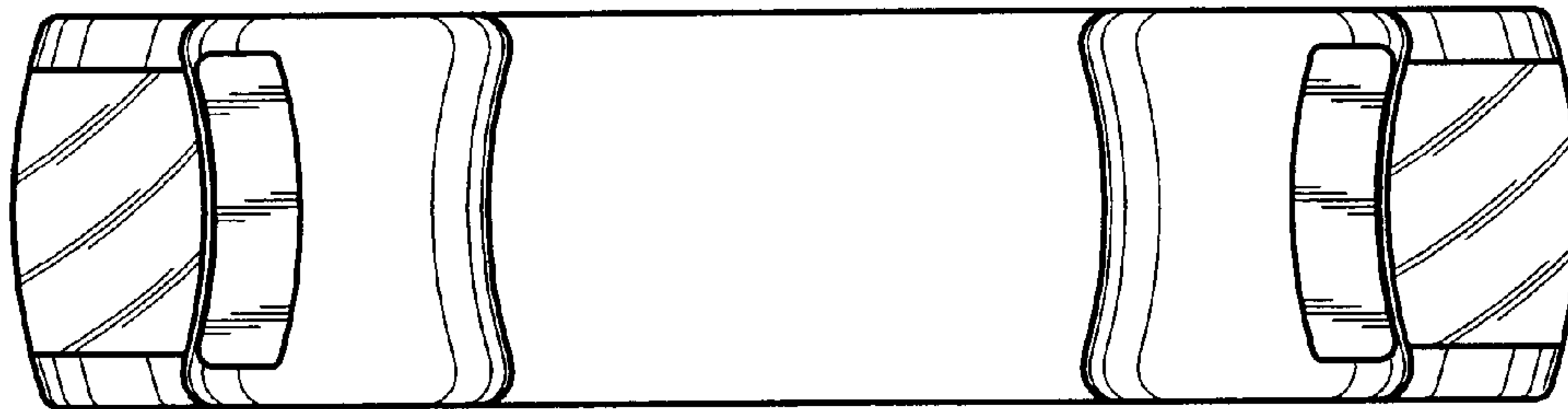


FIG. 3

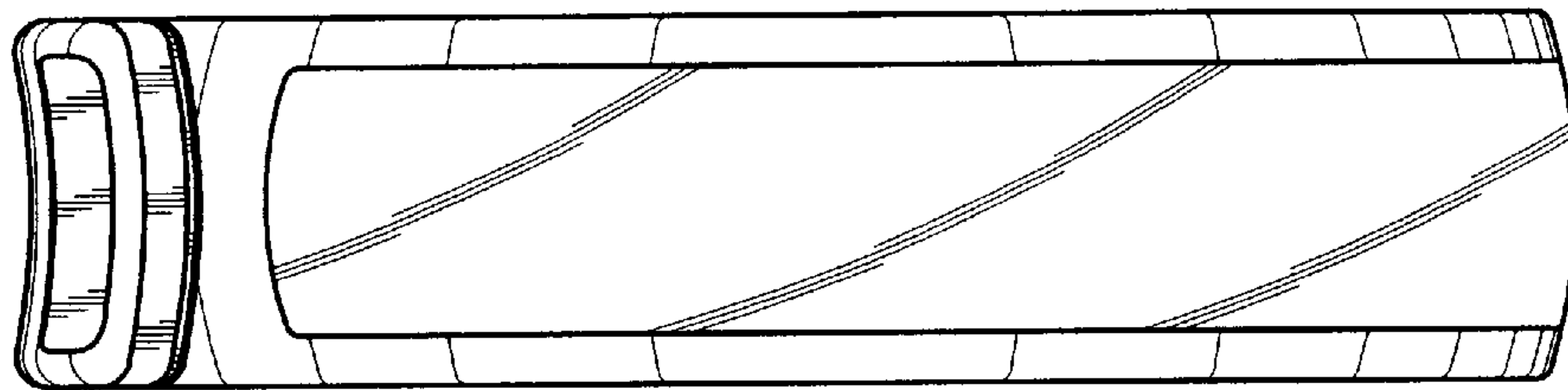


FIG. 4

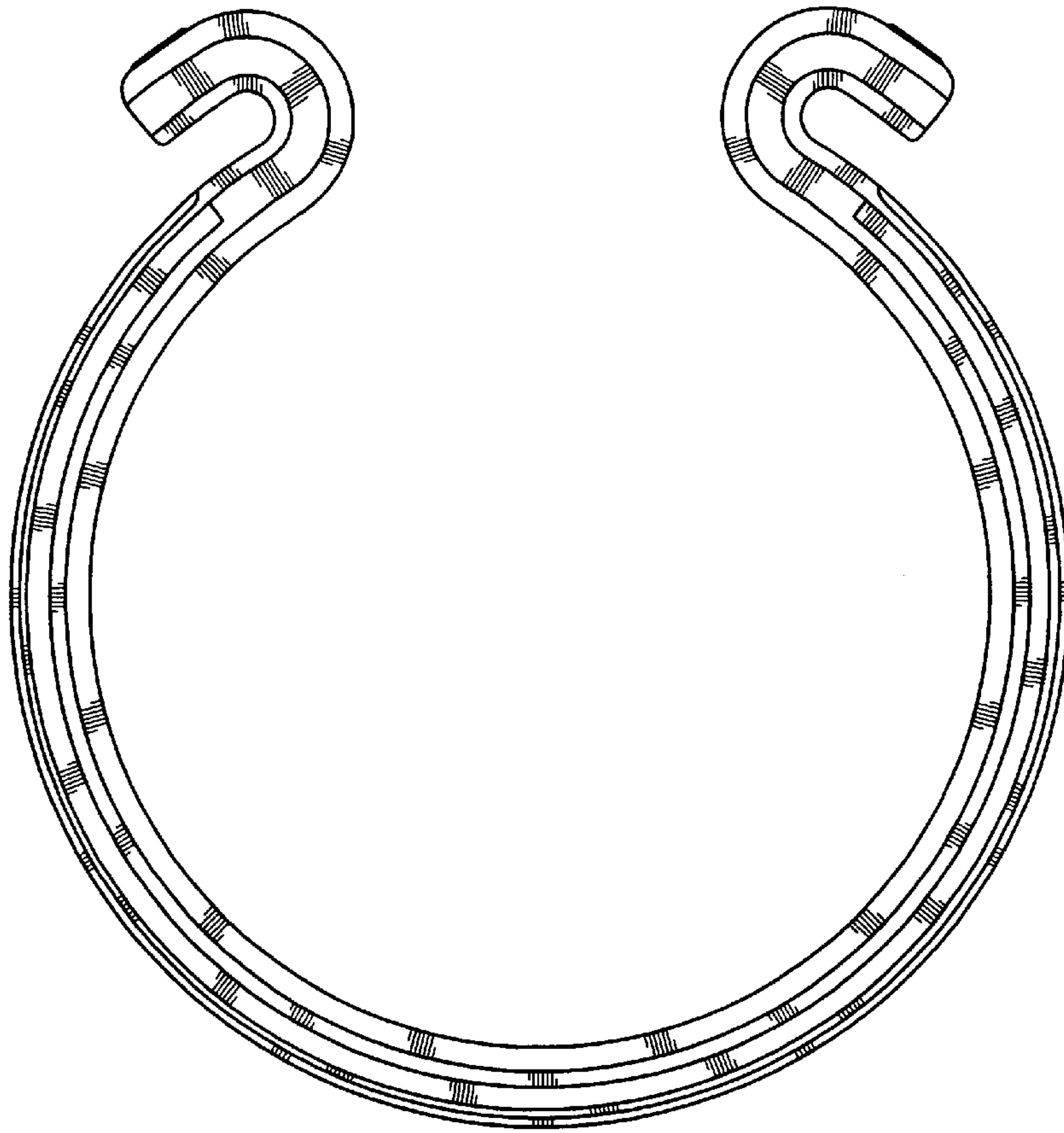


FIG. 5