



US00D526651S

(12) **United States Design Patent**  
**Hoogerdijk**

(10) **Patent No.:** **US D526,651 S**

(45) **Date of Patent:** **\*\* Aug. 15, 2006**

(54) **MEMORY CARD**

(75) **Inventor:** **Dick Cornelis Hoogerdijk**, Schilde  
(BE)

(73) **Assignee:** **Freecom Technologies B.V.**, Delft (NL)

(\*\*) **Term:** **14 Years**

(21) **Appl. No.:** **29/197,187**

(22) **Filed:** **Jan. 12, 2004**

(51) **LOC (8) Cl.** ..... **14-02**

(52) **U.S. Cl.** ..... **D14/436**

(58) **Field of Classification Search** ..... D14/435-8,  
D14/478-80; 361/736-7, 686, 752; 257/678-9;  
40/124.01; 283/75-6, 901; 235/487-95, 441-3,  
235/375; 439/135, 140, 76.1; D8/347  
See application file for complete search history.

(56) **References Cited**

**U.S. PATENT DOCUMENTS**

|              |   |         |              |       |         |
|--------------|---|---------|--------------|-------|---------|
| D405,441 S   | * | 2/1999  | Saito et al. | ..... | D14/436 |
| D410,913 S   | * | 6/1999  | Saito et al. | ..... | D14/436 |
| D458,267 S   | * | 6/2002  | Goto         | ..... | D14/436 |
| 6,567,273 B1 |   | 5/2003  | Liu et al.   | ..... | 361/737 |
| D482,025 S   | * | 11/2003 | Laity et al. | ..... | D14/242 |
| D488,477 S   | * | 4/2004  | Yu et al.    | ..... | D14/436 |
| D492,687 S   | * | 7/2004  | Yu et al.    | ..... | D14/436 |

**FOREIGN PATENT DOCUMENTS**

|    |               |         |
|----|---------------|---------|
| DE | 202 07 720 U1 | 8/2002  |
| DE | 202 11 121 U1 | 10/2002 |
| EP | 1 146 428 A1  | 10/2001 |

\* cited by examiner

*Primary Examiner*—M. H. Tung

(74) *Attorney, Agent, or Firm*—Steven M. Koehler;  
Westman, Champlin & Kelly, P.A.

(57) **CLAIM**

The ornamental design for a memory card, as shown and described.

**DESCRIPTION**

FIG. 1 is a perspective view of a first embodiment of a memory card on an enlarged scale;

FIG. 2 is a bottom plan view of the memory card of FIG. 1;

FIG. 3 is a rear elevational view of the memory card of FIG. 1;

FIG. 4 is a top plan view of the memory card of FIG. 1;

FIG. 5 is a front elevational view of the memory card of FIG. 1;

FIG. 6 is a ride side elevational view of the memory card of FIG. 1;

FIG. 7 is a left side elevational view of the memory card of FIG. 1;

FIG. 8 is a second perspective view of the memory card of FIG. 1, on an enlarged scale;

FIG. 9 is a perspective view of a second embodiment of a memory card on an enlarged scale;

FIG. 10 is a bottom plan view of the memory card of FIG. 9;

FIG. 11 is a rear elevational view of the memory card of FIG. 9;

FIG. 12 is a top plan view of the memory card of FIG. 9;

FIG. 13 is a front elevational view of the memory card of FIG. 9;

FIG. 14 is a ride side elevational view of the memory card of FIG. 9; and,

FIG. 15 is a left side elevational view of the memory card of FIG. 9.

The broken line drawings of features in FIGS. 9, 10 and 12 are for illustrative purposes only and form no part of the claimed design.

**1 Claim, 4 Drawing Sheets**

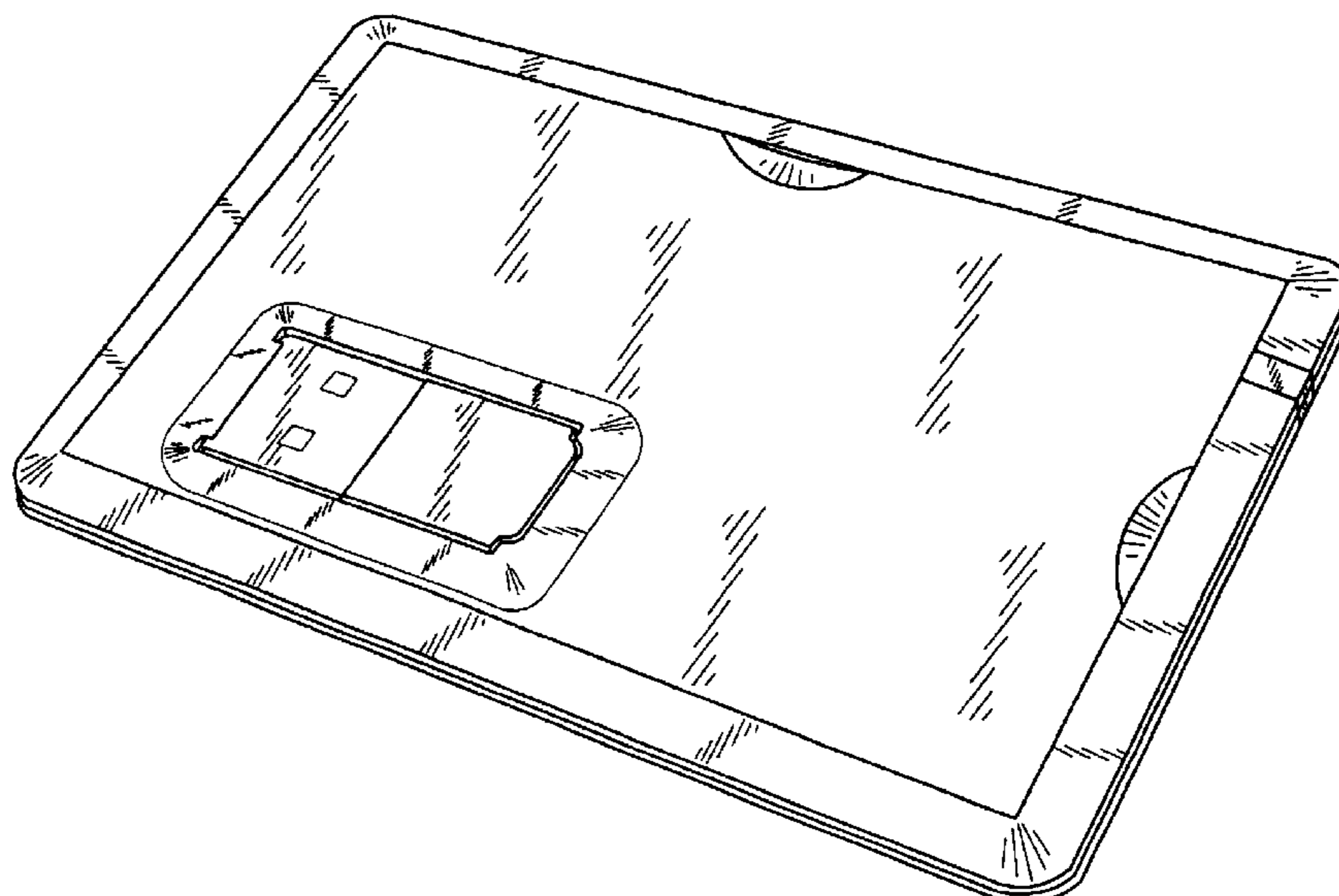


FIG. 1

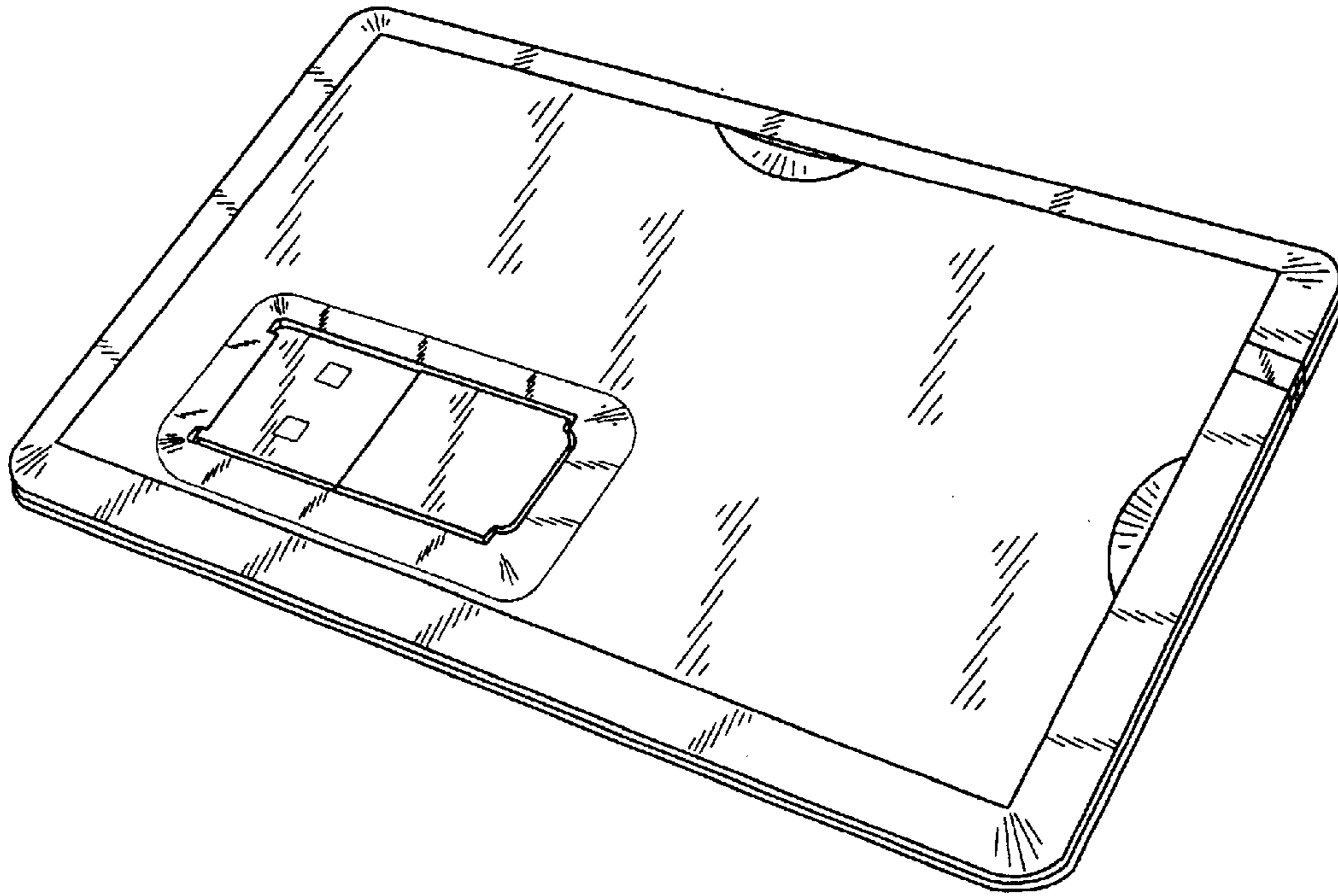


FIG. 8

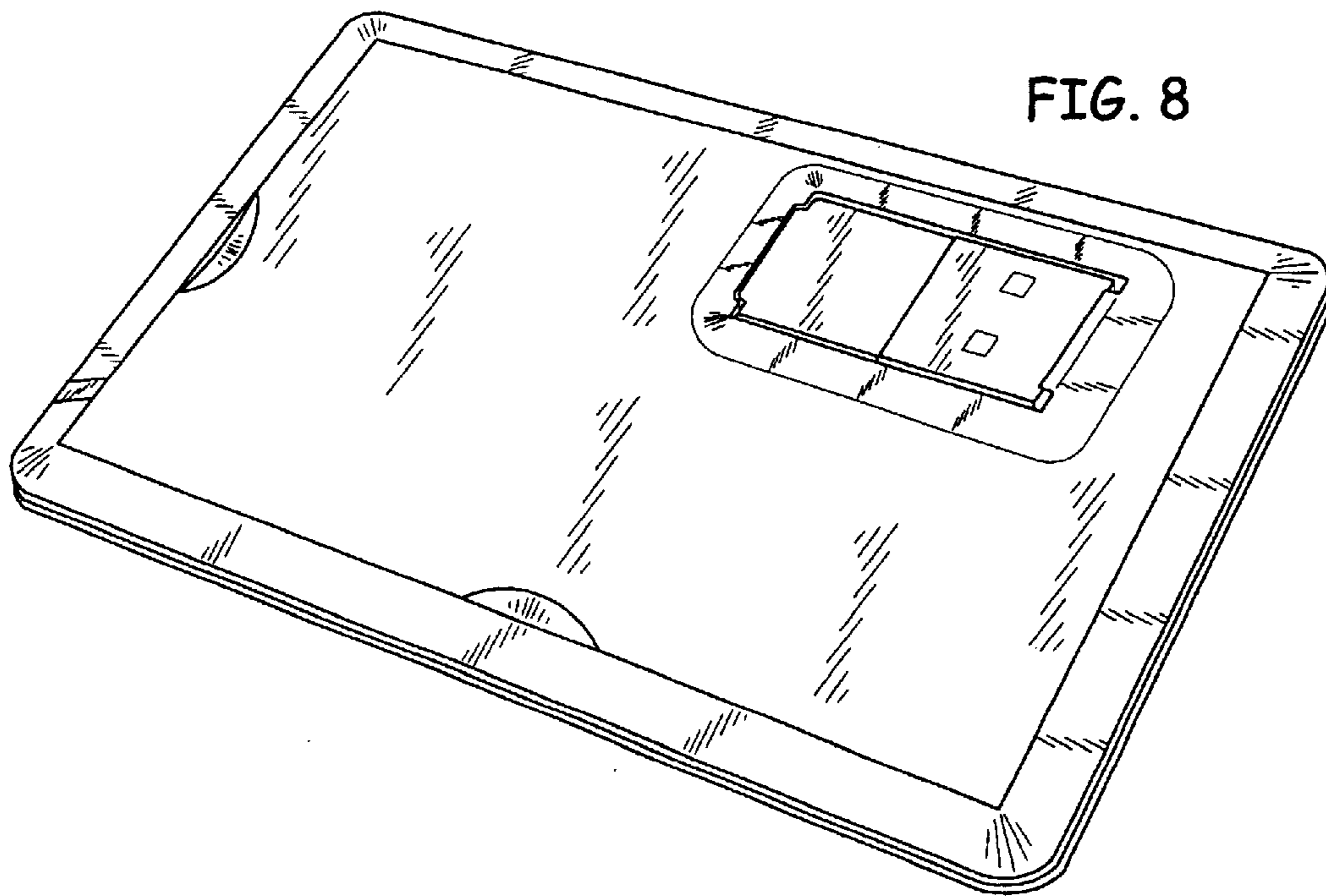


FIG. 2

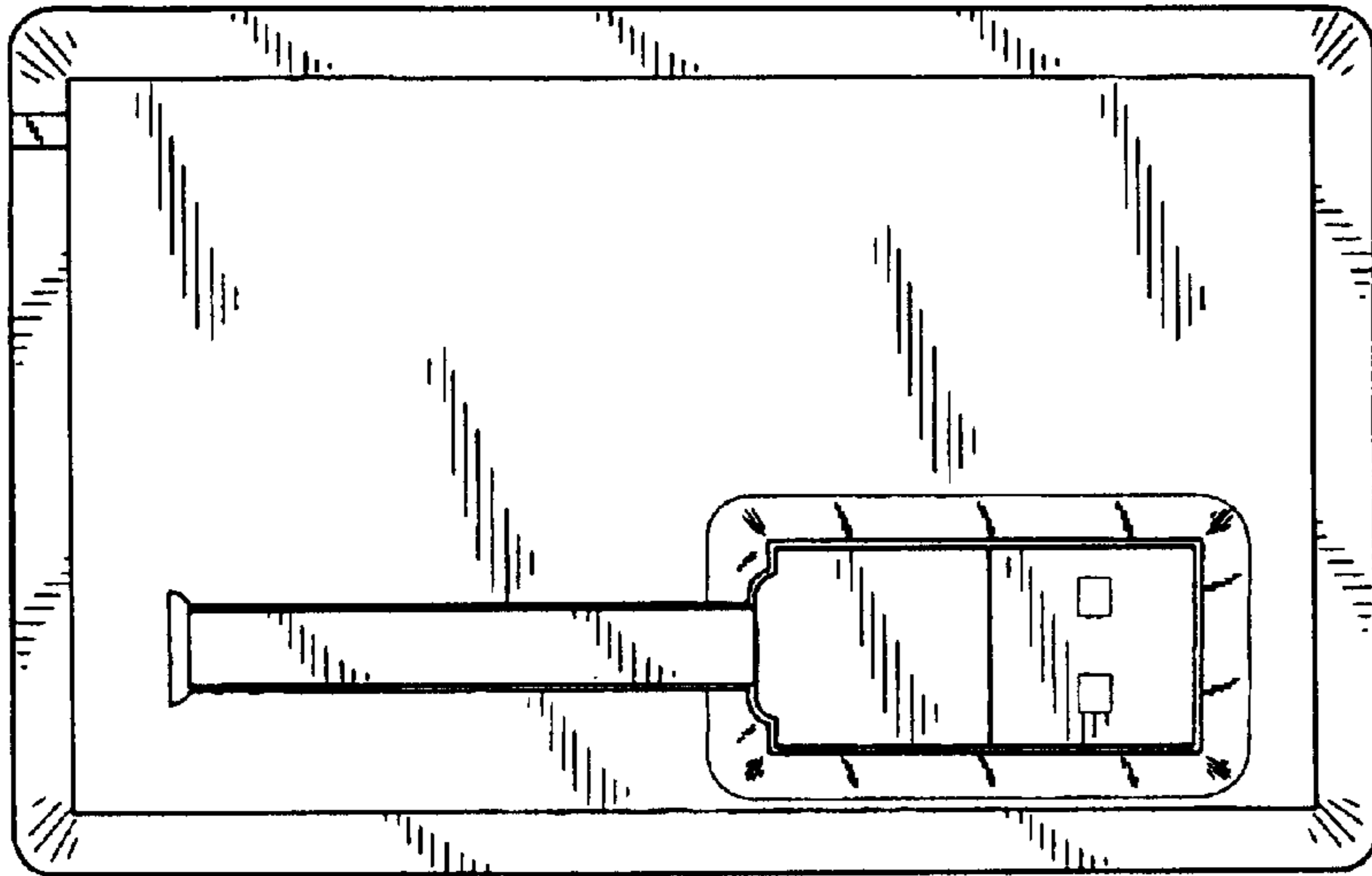


FIG. 3

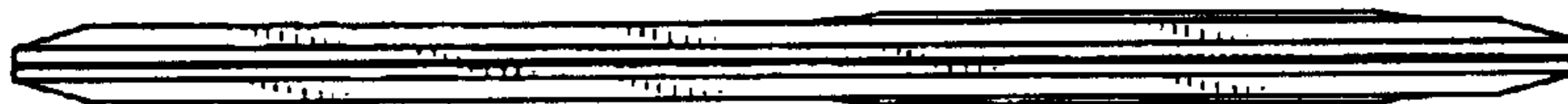


FIG. 4

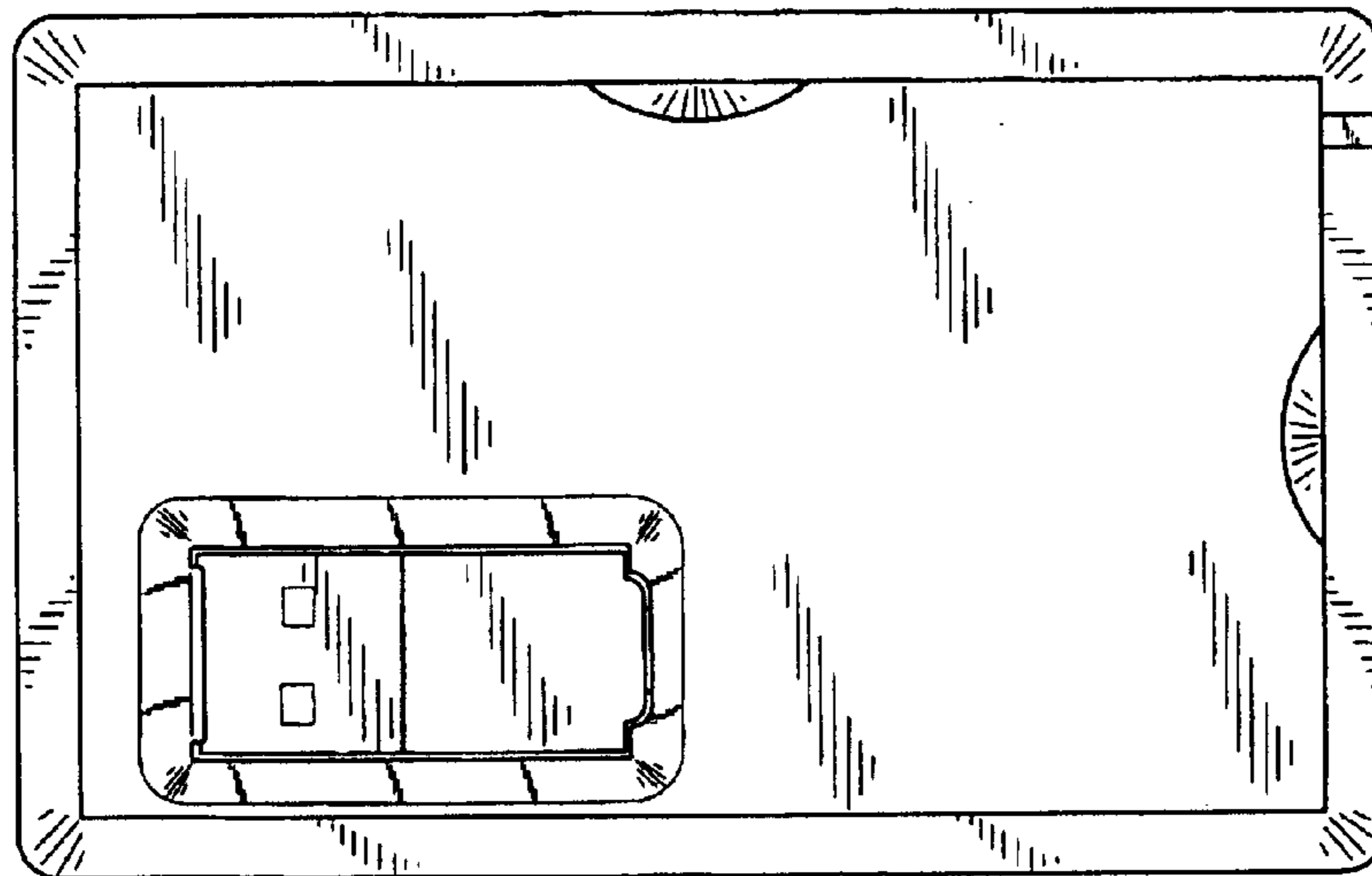


FIG. 5



FIG. 6



FIG. 7

FIG. 9

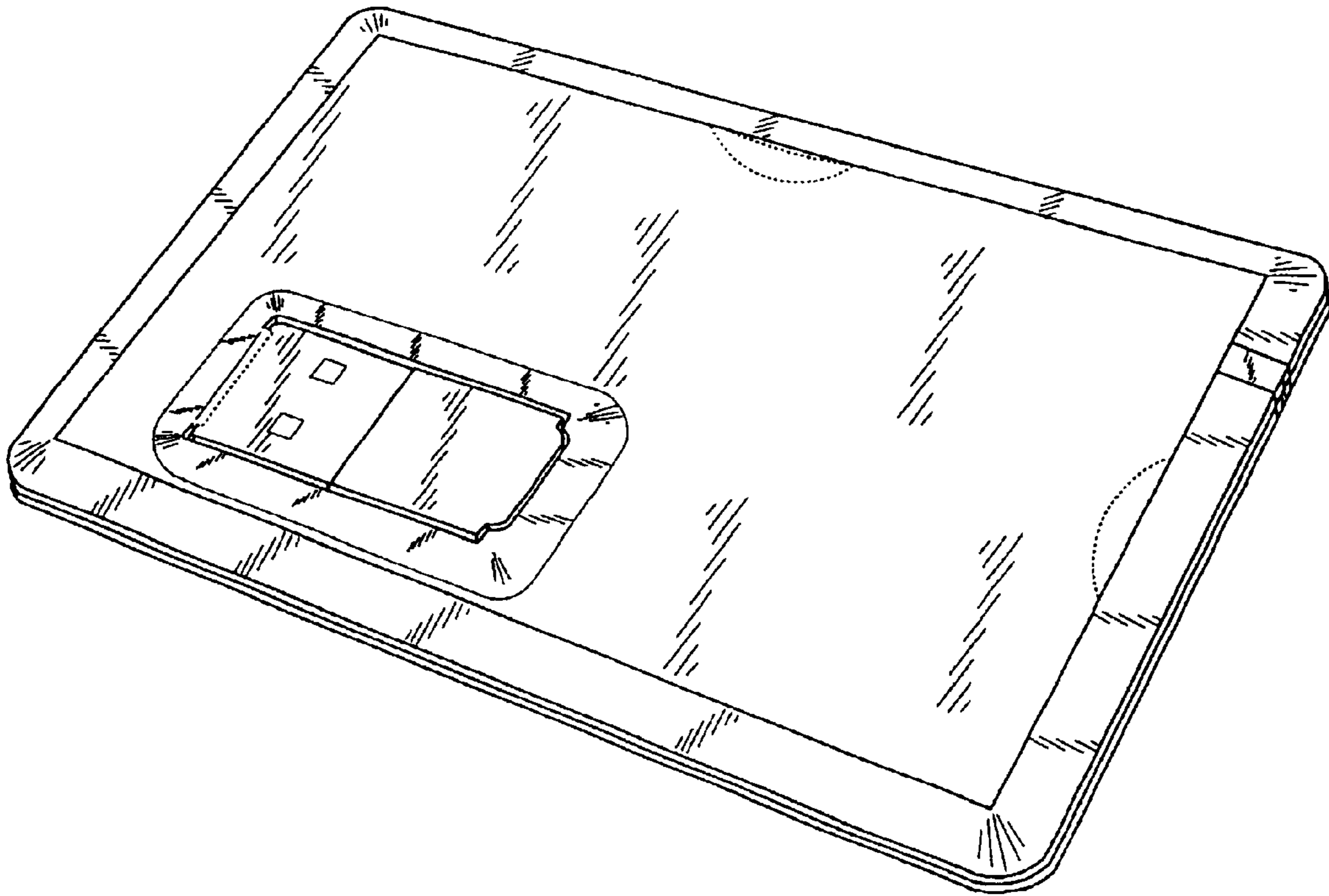




FIG. 10

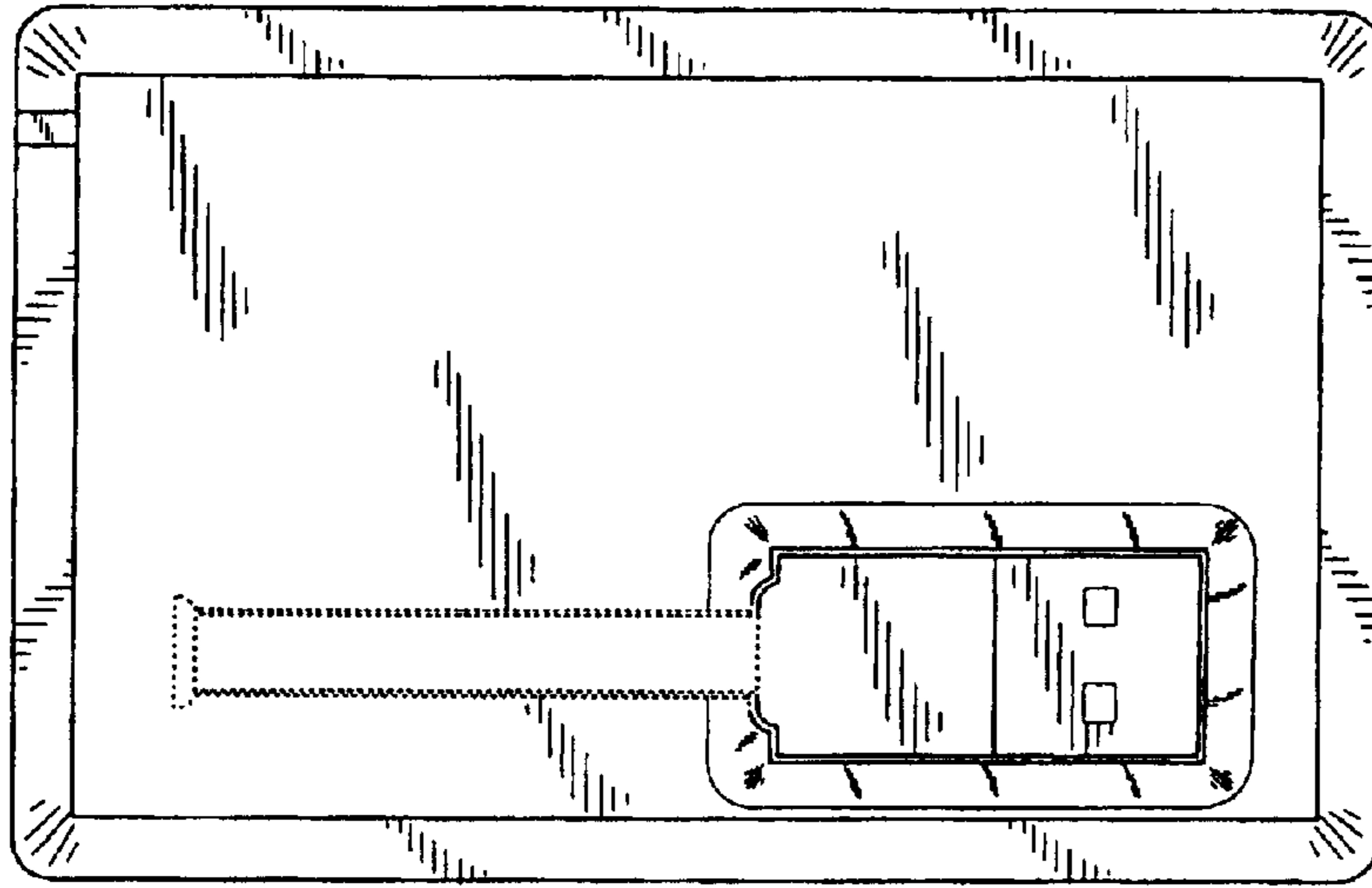


FIG. 11

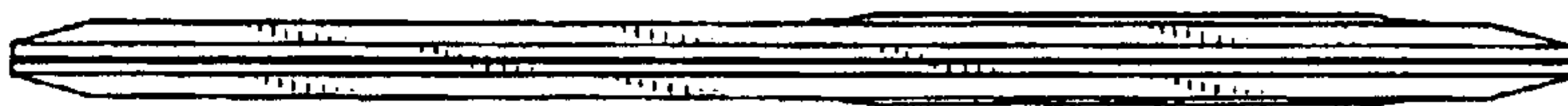


FIG. 12

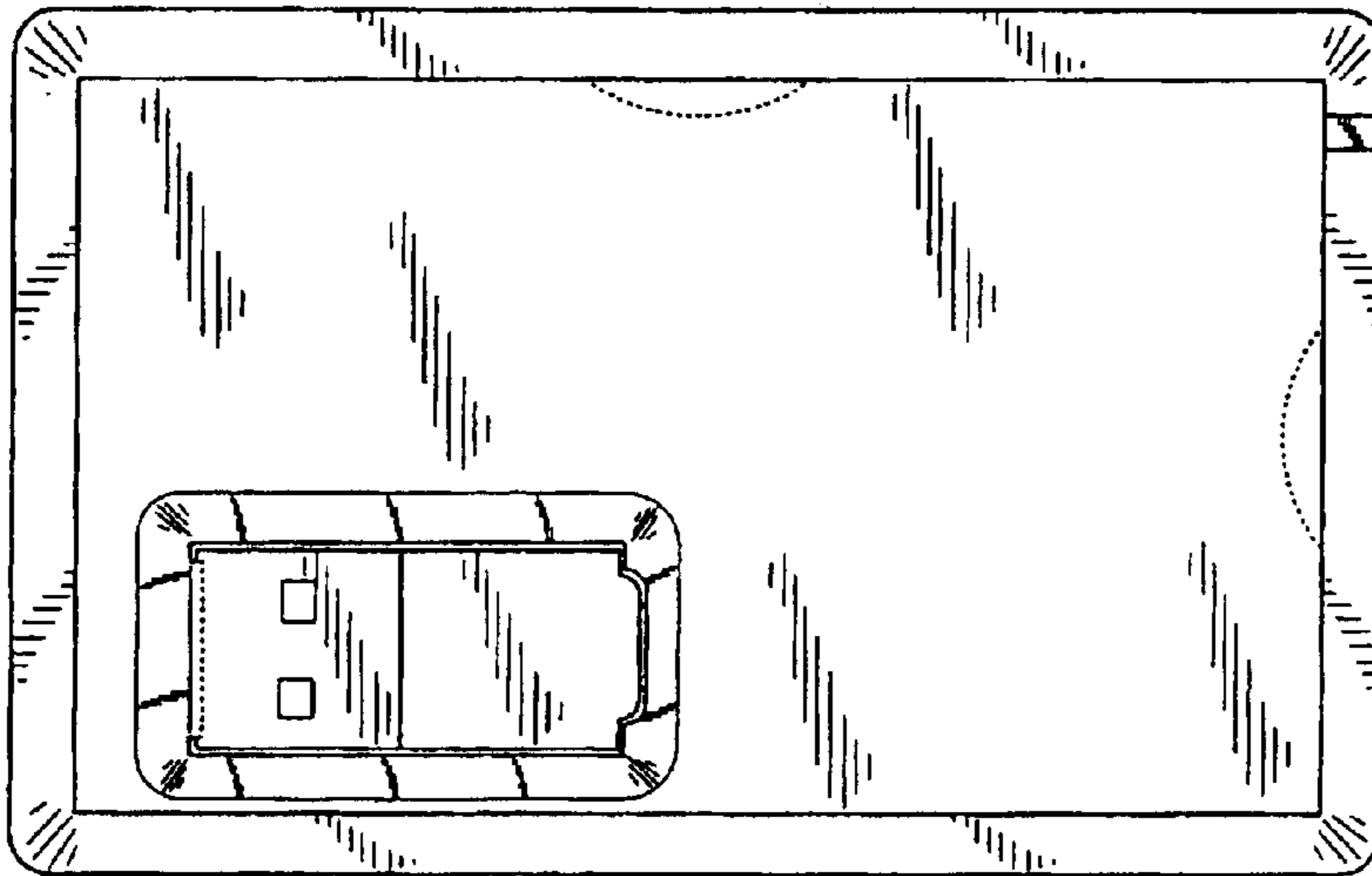


FIG. 13

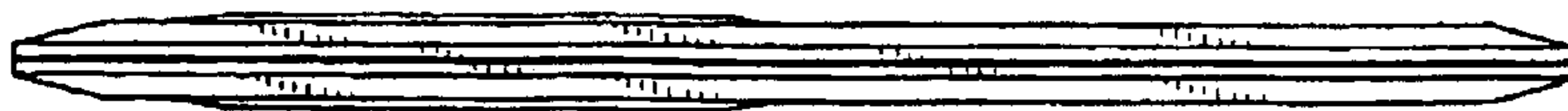


FIG. 14



FIG. 15