



US00D526647S

(12) **United States Design Patent**  
**Thornton**

(10) **Patent No.:** **US D526,647 S**

(45) **Date of Patent:** **\*\* Aug. 15, 2006**

(54) **HOUSING FOR AN INTERACTIVE AERIAL DISPLAY SYSTEM**

(76) Inventor: **Curtis L. Thornton**, 9253 Elton Ave., Chatsworth, CA (US) 91311

(\*\*) Term: **14 Years**

(21) Appl. No.: **29/232,357**

(22) Filed: **Jun. 15, 2005**

(51) **LOC (8) Cl.** ..... **14-02**

(52) **U.S. Cl.** ..... **D14/307; D21/325**

(58) **Field of Classification Search** ..... D14/301-310; D21/324-329, 369; D6/397; 273/148 B; 463/1, 16-21, 46, 47, 40; 361/679-687; 700/231-237  
See application file for complete search history.

(56) **References Cited**

**U.S. PATENT DOCUMENTS**

4,850,591	A	*	7/1989	Takezawa et al.	.....	463/37
5,413,357	A	*	5/1995	Schulze et al.	.....	463/5
5,550,746	A	*	8/1996	Jacobs	.....	700/231
5,625,562	A	*	4/1997	Veeneman et al.	.....	700/235
D411,582	S	*	6/1999	Muraki et al.	.....	D21/325

D463,502	S	*	9/2002	Ishii et al.	.....	D21/325
D481,078	S	*	10/2003	Stephan	.....	D21/369
D503,433	S	*	3/2005	Tsujino et al.	.....	D21/325
D505,948	S	*	6/2005	Vrachan et al.	.....	D14/307
D506,464	S	*	6/2005	Vrachan et al.	.....	D14/307
D508,541	S	*	8/2005	Tsujino et al.	.....	D21/325

\* cited by examiner

*Primary Examiner*—Prabhakar Deshmukh

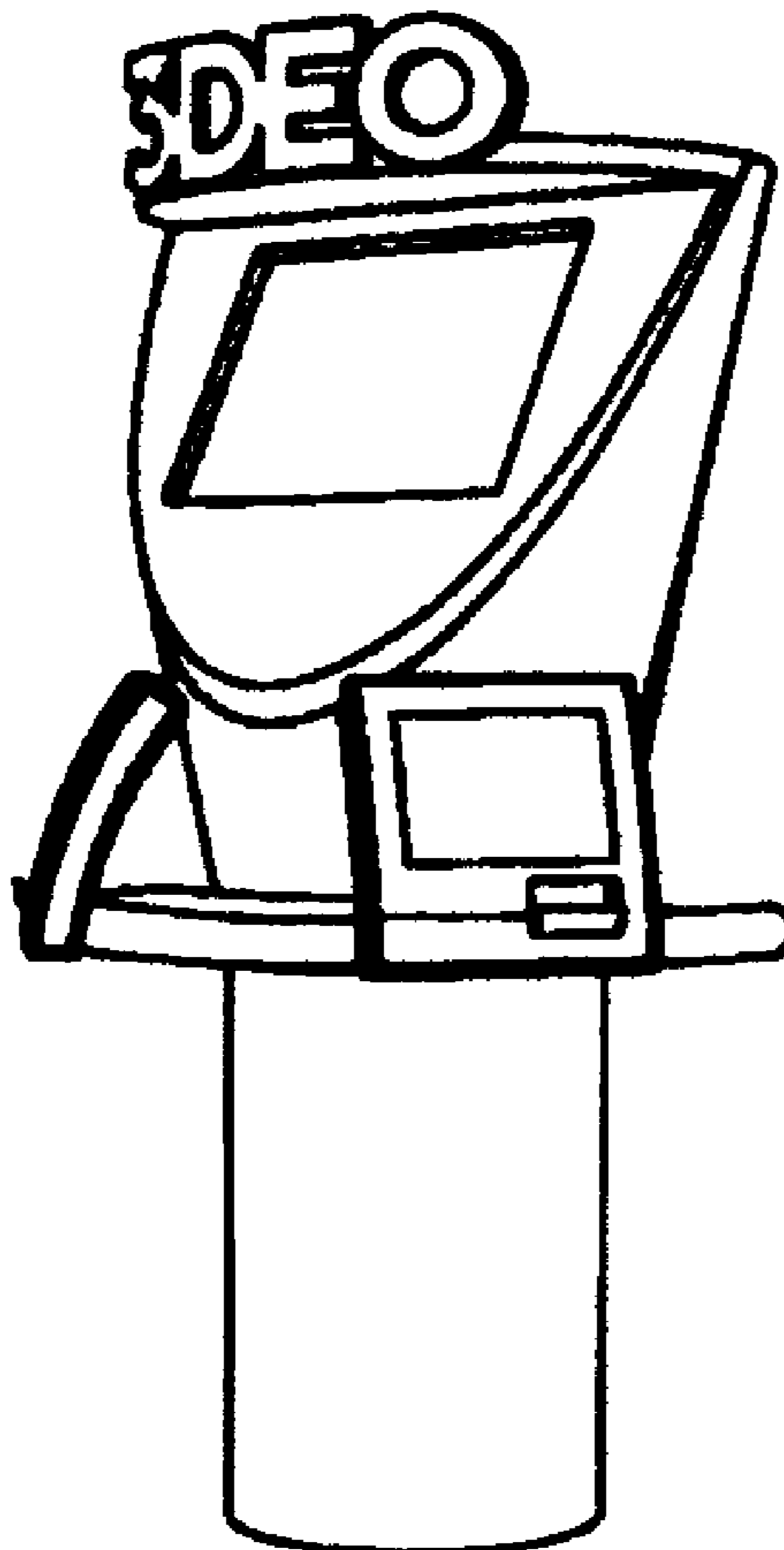
(57) **CLAIM**

I claim the ornamental design for a housing for an interactive aerial display system, as shown and described.

**DESCRIPTION**

FIG. 1 is a front perspective view of a housing for an interactive aerial display system;  
FIG. 2 is a left side view thereof, the right side view being a mirror image thereof;  
FIG. 3 is a front view thereof  
FIG. 4 is top view thereof; and,  
FIG. 5 is back view thereof.  
The bottom of the housing for an interactive aerial display system is flat and unornamented.

**1 Claim, 1 Drawing Sheet**



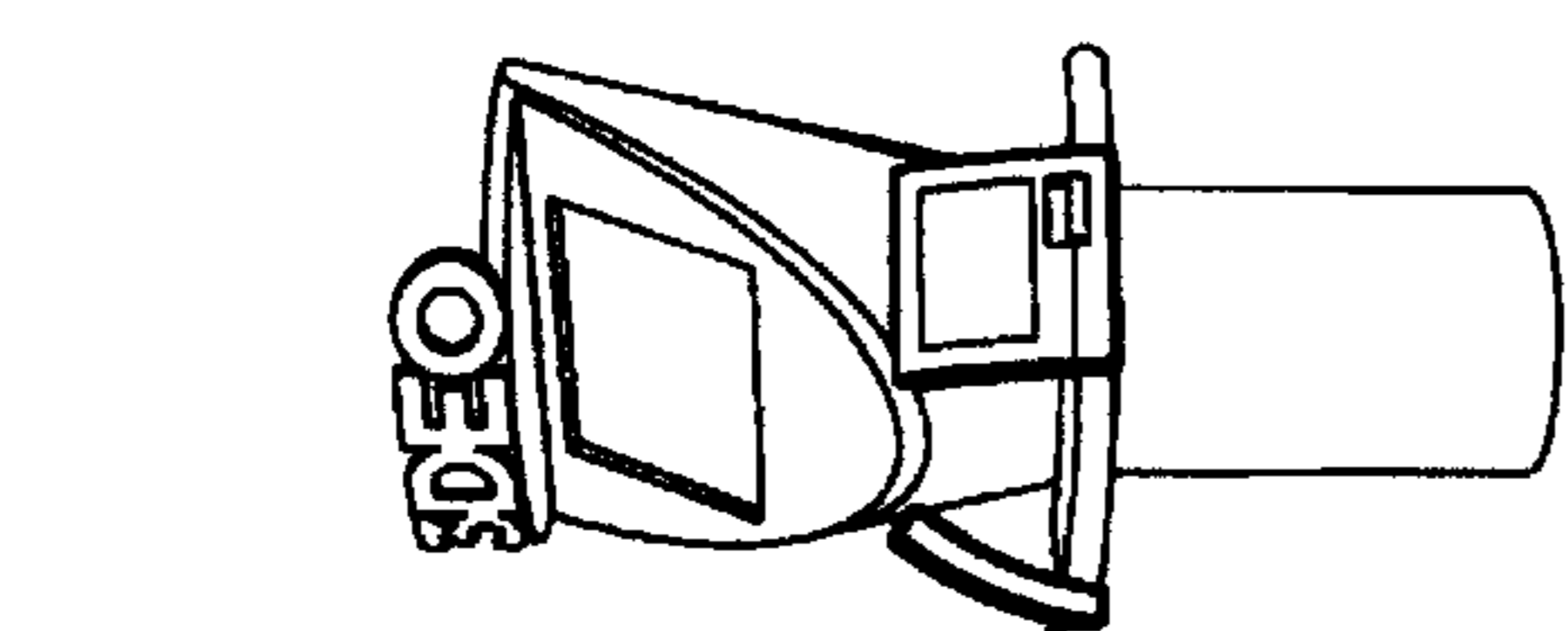
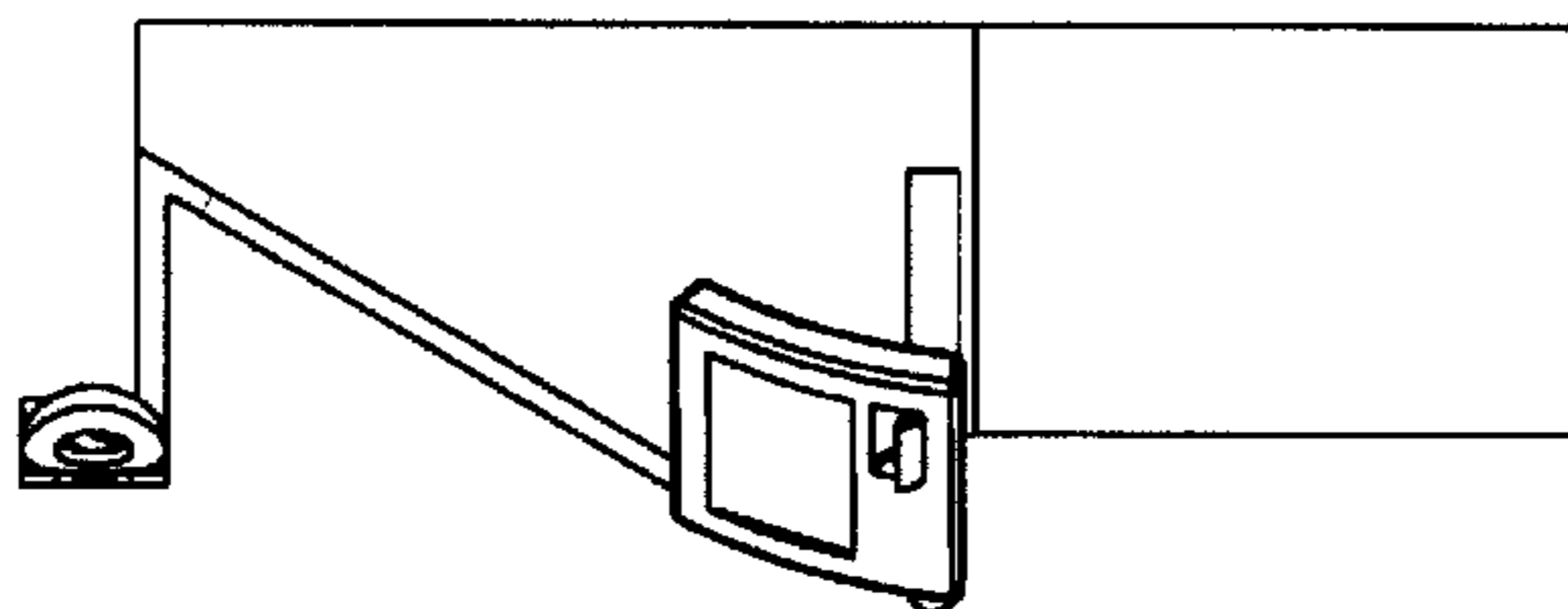
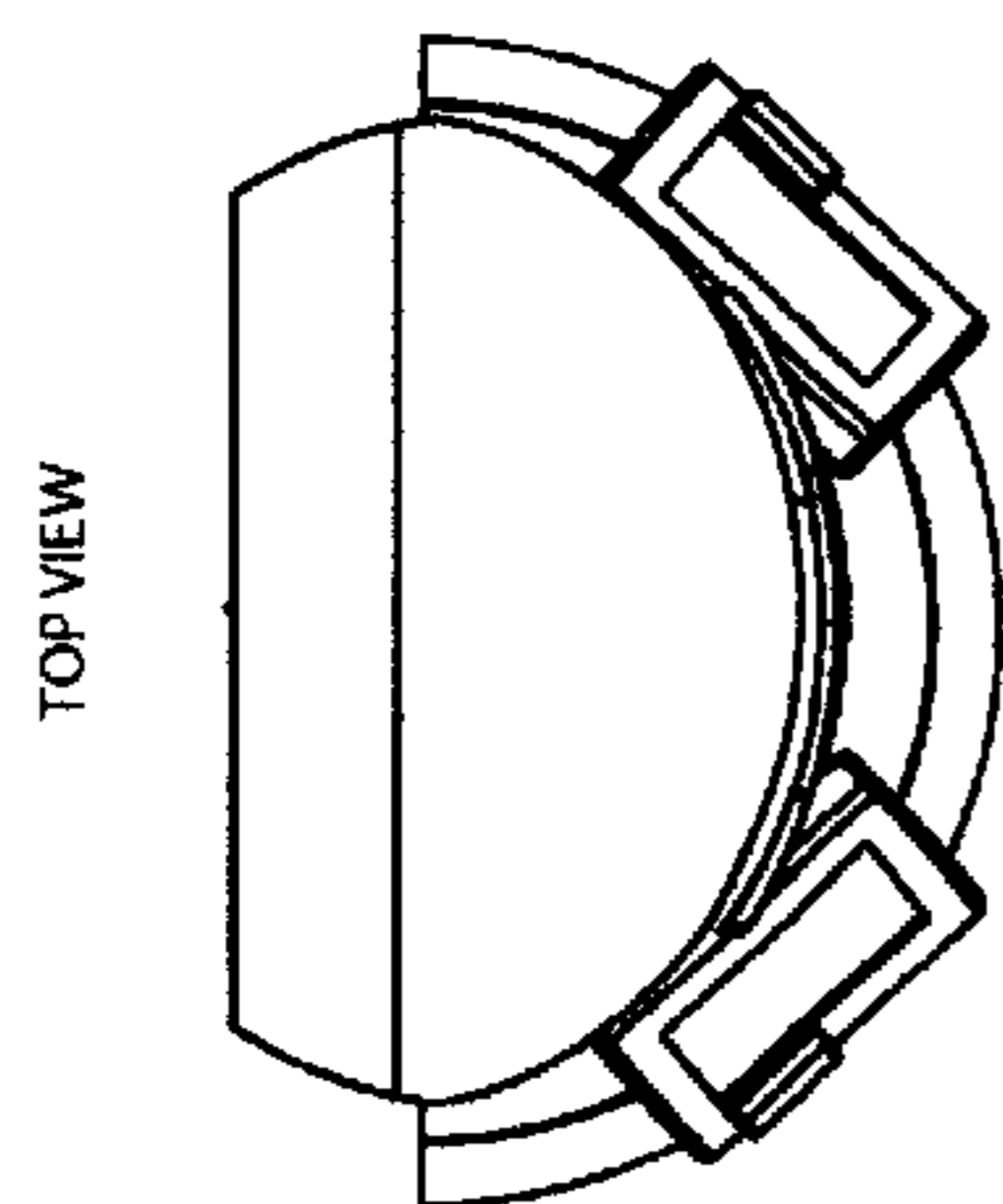


Figure 1



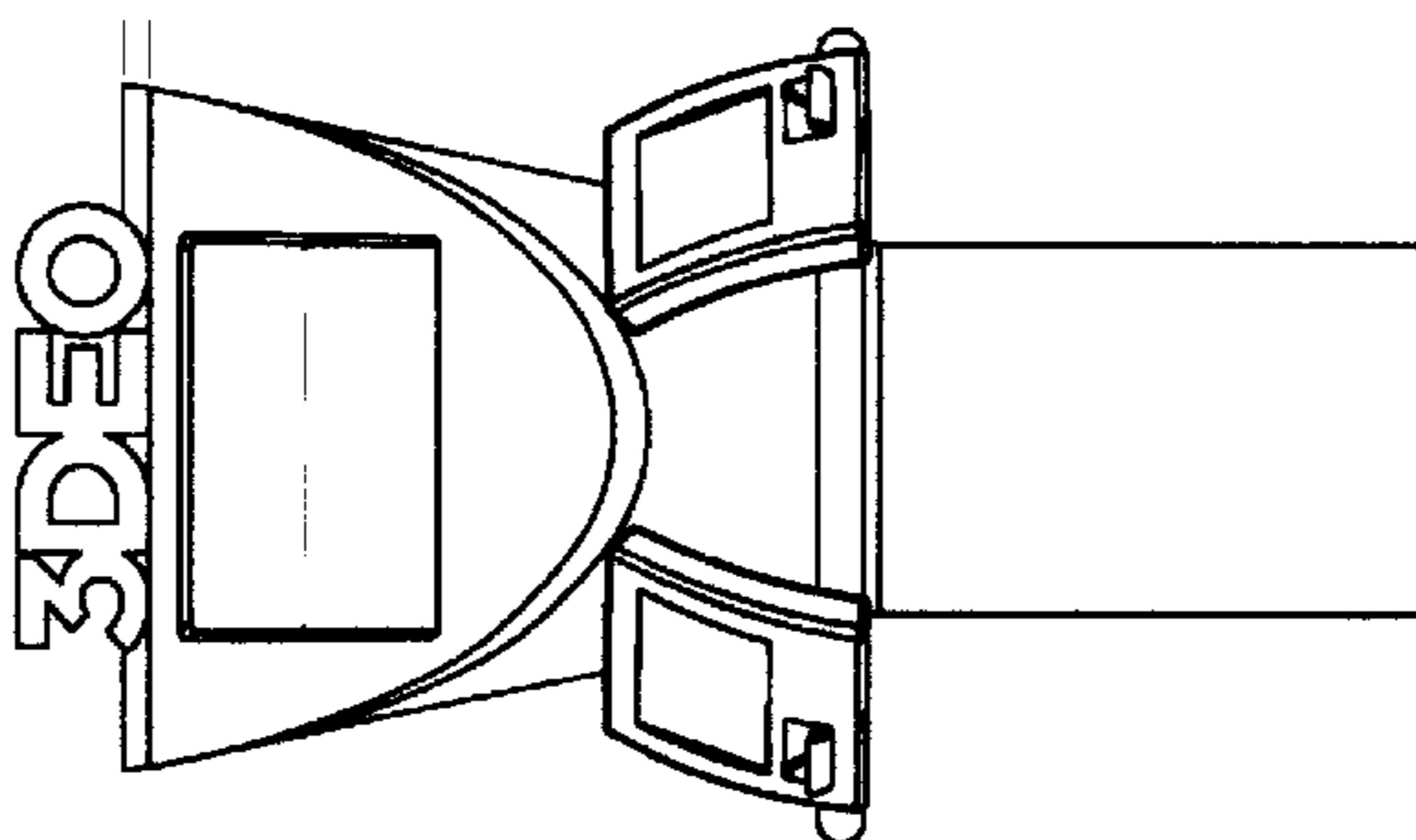
SIDE VIEW

Figure 2



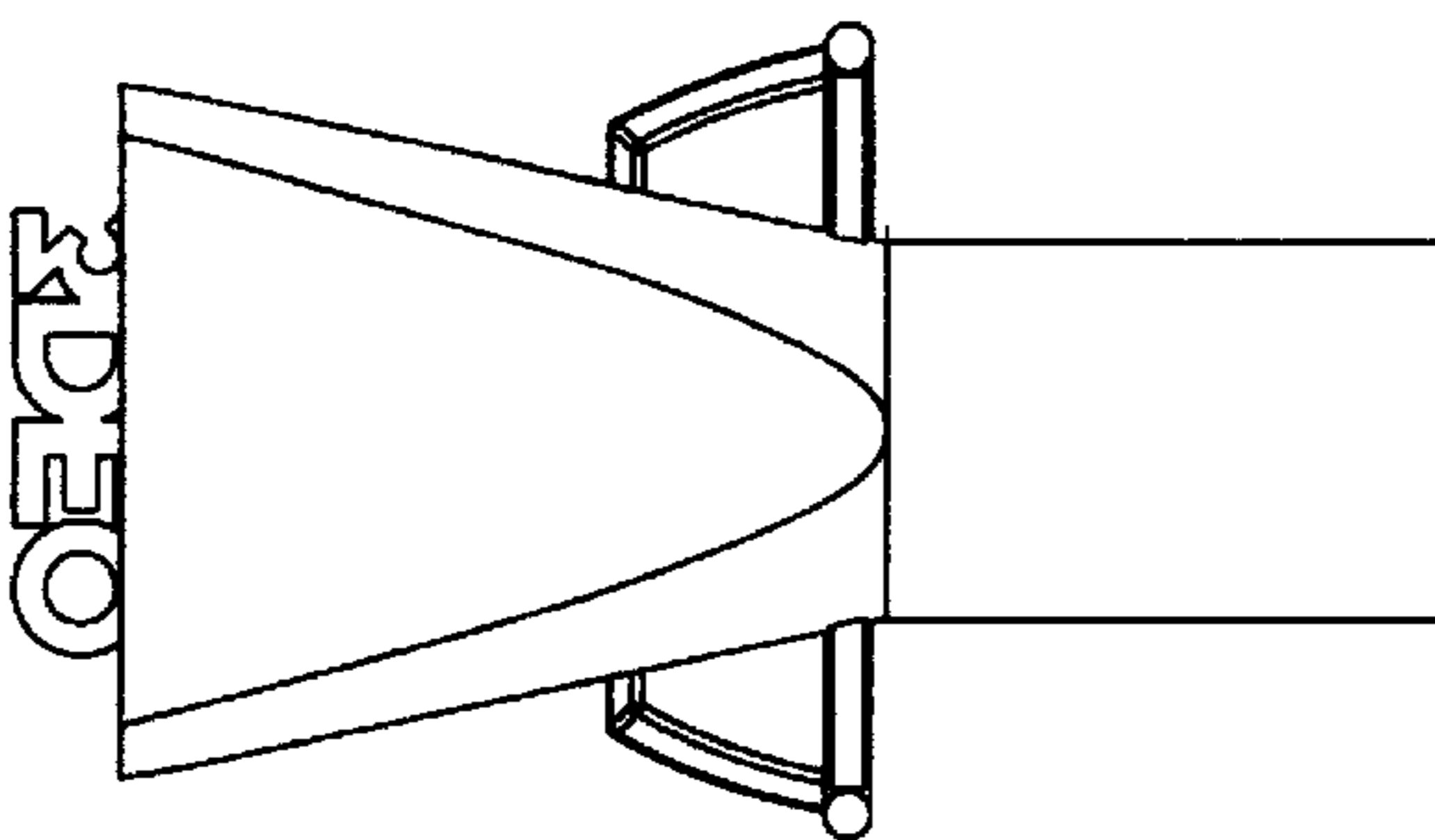
TOP VIEW

Figure 4



FRONT VIEW

Figure 3



BACK VIEW

Figure 5