

US00D526646S

(12) **United States Design Patent** (10) **Patent No.:** **US D526,646 S**
Goto (45) **Date of Patent:** **** *Aug. 15, 2006**

(54) **ARITHMETIC AND CONTROL UNIT**

D470,485 S 2/2003 Goto
D501,482 S * 2/2005 Goto D14/478
D506,997 S * 7/2005 Matsui et al. D14/260.1
2003/0214752 A1 * 11/2003 Hashizume et al. 360/99.12
2005/0073810 A1 * 4/2005 Hui-Chu et al. 361/685

(75) Inventor: **Teiyu Goto**, Tokyo (JP)

(73) Assignee: **Sony Computer Entertainment Inc.**,
Tokyo (JP)

FOREIGN PATENT DOCUMENTS

(*) Notice: This patent is subject to a terminal disclaimer.

JP 1093389 S 12/2000
JP 1099747 S 2/2001
JP 1099748 S 2/2001
JP 1099749 S 2/2001
JP 1099750 S 2/2001
JP 1099751 S 2/2001
JP 1099752 S 2/2001
JP 1099753 S 2/2001
JP 1099754 S 2/2001
JP 1099754 S 3/2001
JP 1171666 S 4/2003
JP D1174845 S 6/2003

(**) Term: **14 Years**

(21) Appl. No.: **29/224,863**

(22) Filed: **Mar. 9, 2005**

(30) **Foreign Application Priority Data**

Sep. 14, 2004 (JP) D2004-027969

(51) **LOC (8) Cl.** **14-03**

(52) **U.S. Cl.** **D14/260.1**

(58) **Field of Classification Search** D14/135-6,
D14/156, 260.1, 299, 319, 356, 363, 366,
D14/439; D21/13, 516; 360/97.01, 99.08,
360/99.12, 254; 361/685

See application file for complete search history.

* cited by examiner

Primary Examiner—Robin Webster

Assistant Examiner—Karen E. Patterson

(74) *Attorney, Agent, or Firm*—Rader, Fishman & Grauer
PLLC

(56) **References Cited**

U.S. PATENT DOCUMENTS

4,491,888 A * 1/1985 Brown et al. 360/97.03
5,459,703 A * 10/1995 Tanaka 369/30.85
D367,895 S 3/1996 Goto
D389,150 S * 1/1998 Tanaka D14/367
D412,165 S * 7/1999 Niitsu D14/435
6,011,766 A * 1/2000 Nguyen et al. 720/607
D436,105 S 1/2001 Goto
D436,956 S 1/2001 Goto
D436,957 S 1/2001 Goto
D437,320 S 2/2001 Goto
D439,250 S 3/2001 Goto
D445,788 S 7/2001 Goto
D450,318 S 11/2001 Goto
D452,688 S 1/2002 Goto
6,504,674 B1 * 1/2003 Yoshida et al. 360/99.12

(57) **CLAIM**

The ornamental design for an arithmetic and control unit, as shown and described.

DESCRIPTION

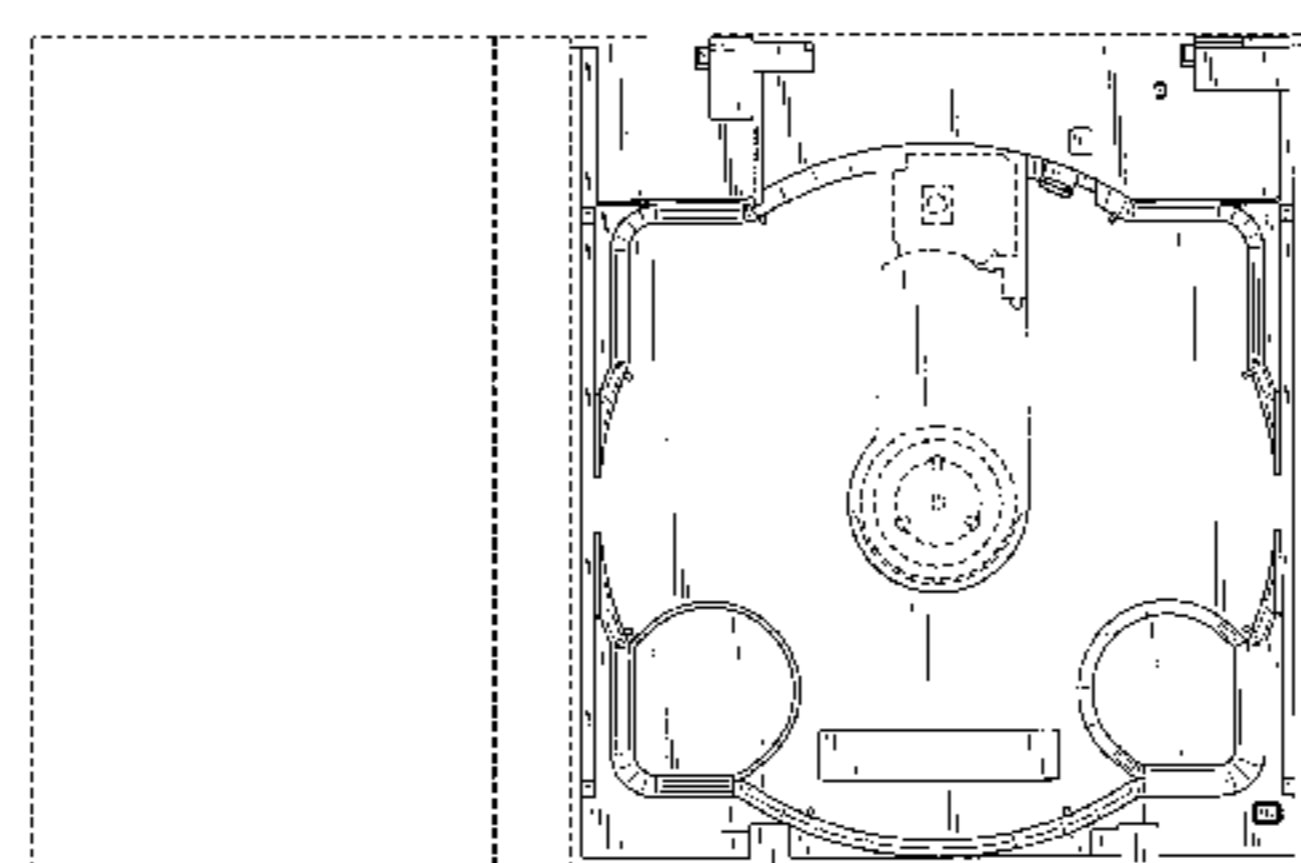
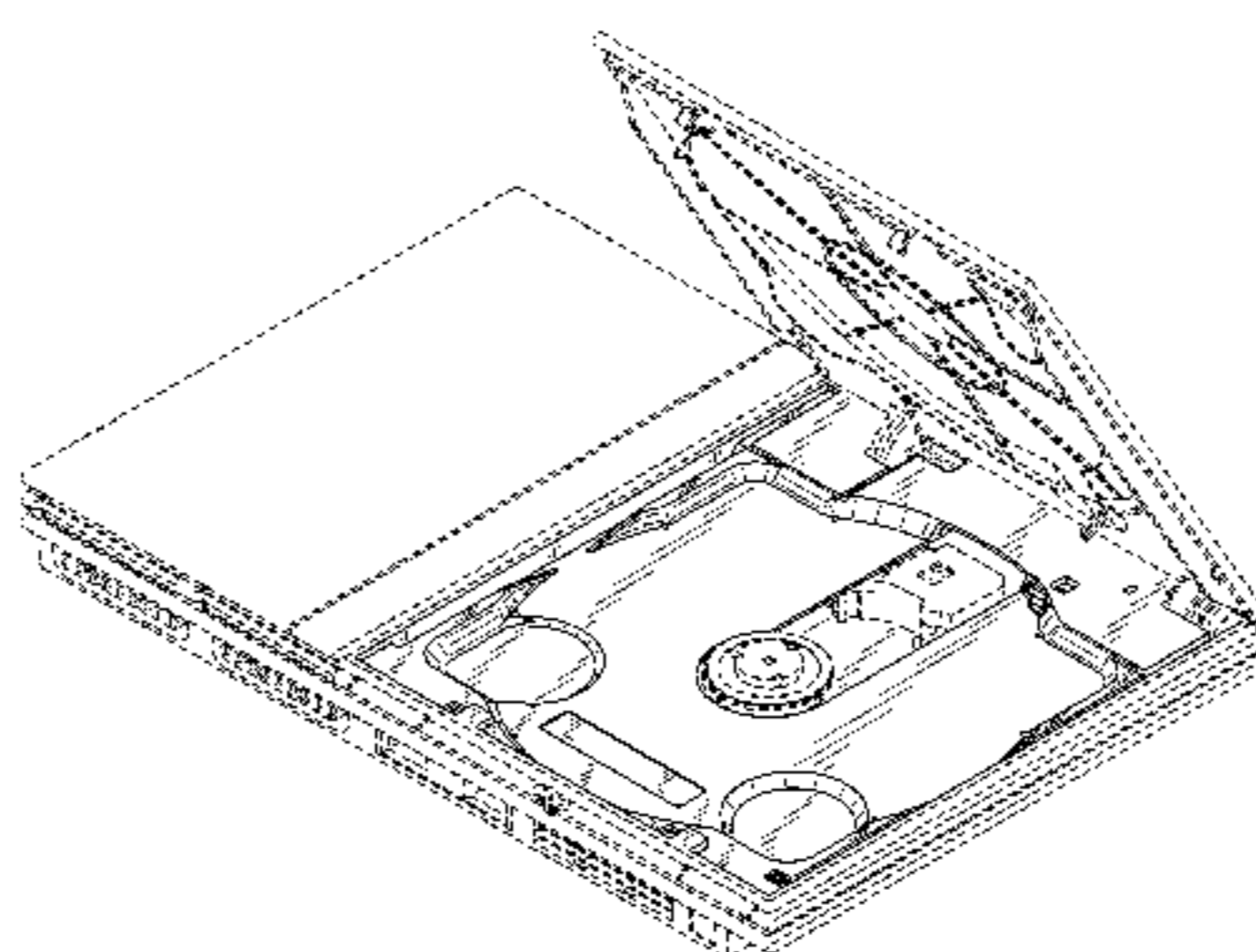
FIG. 1 is a perspective view of an arithmetic and control unit showing my new design, wherein a lid portion is in the open position;

FIG. 2 is a top plan view thereof, wherein the lid portion is in the open position; and,

FIG. 3 is a reference top plan view thereof, wherein the lid portion is removed.

Portions of FIGS. 1 and 2 that are shown as broken lines and FIG. 3 are for illustrative purposes only and form no part of the claimed design.

1 Claim, 3 Drawing Sheets



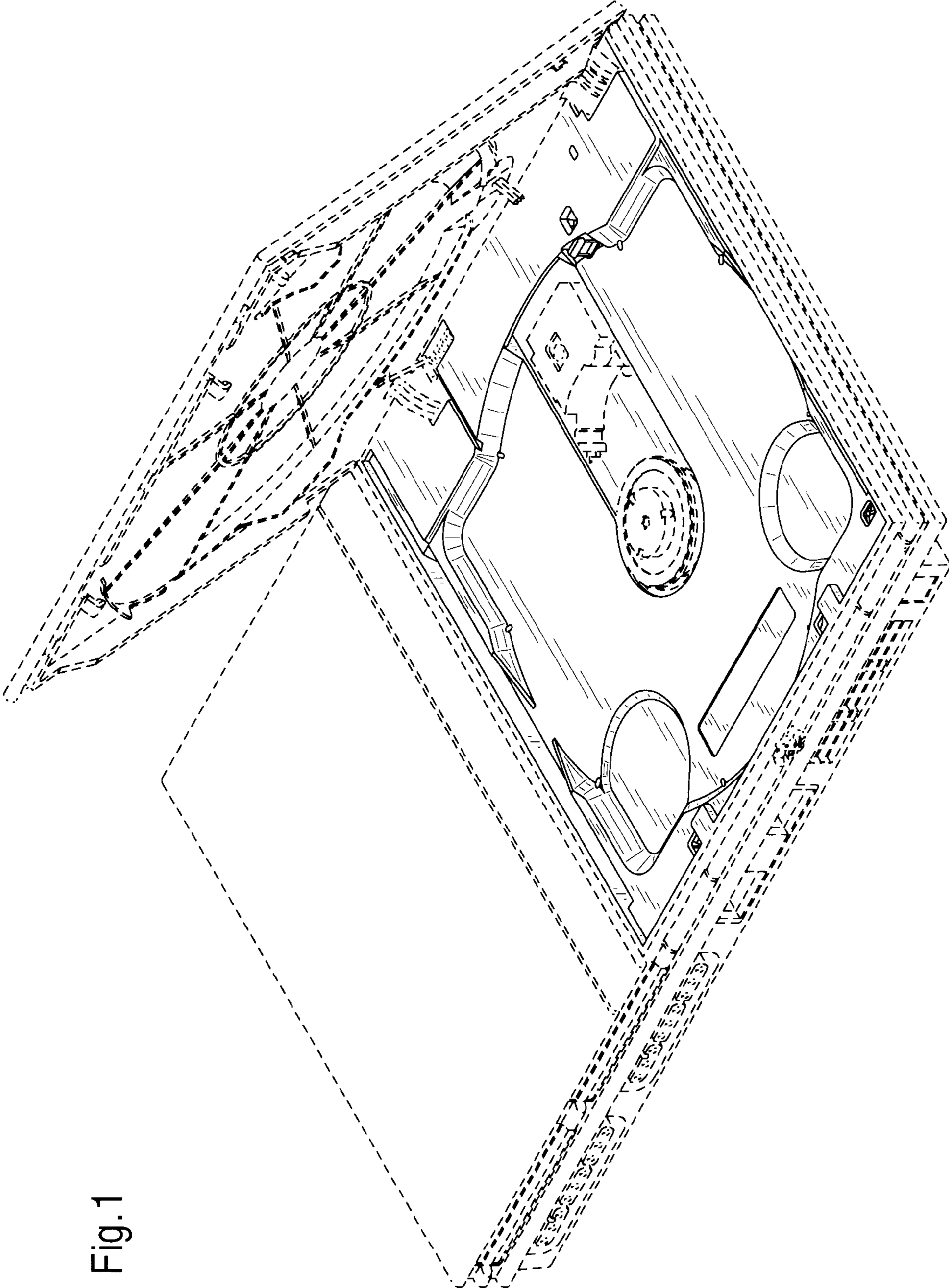


Fig. 1

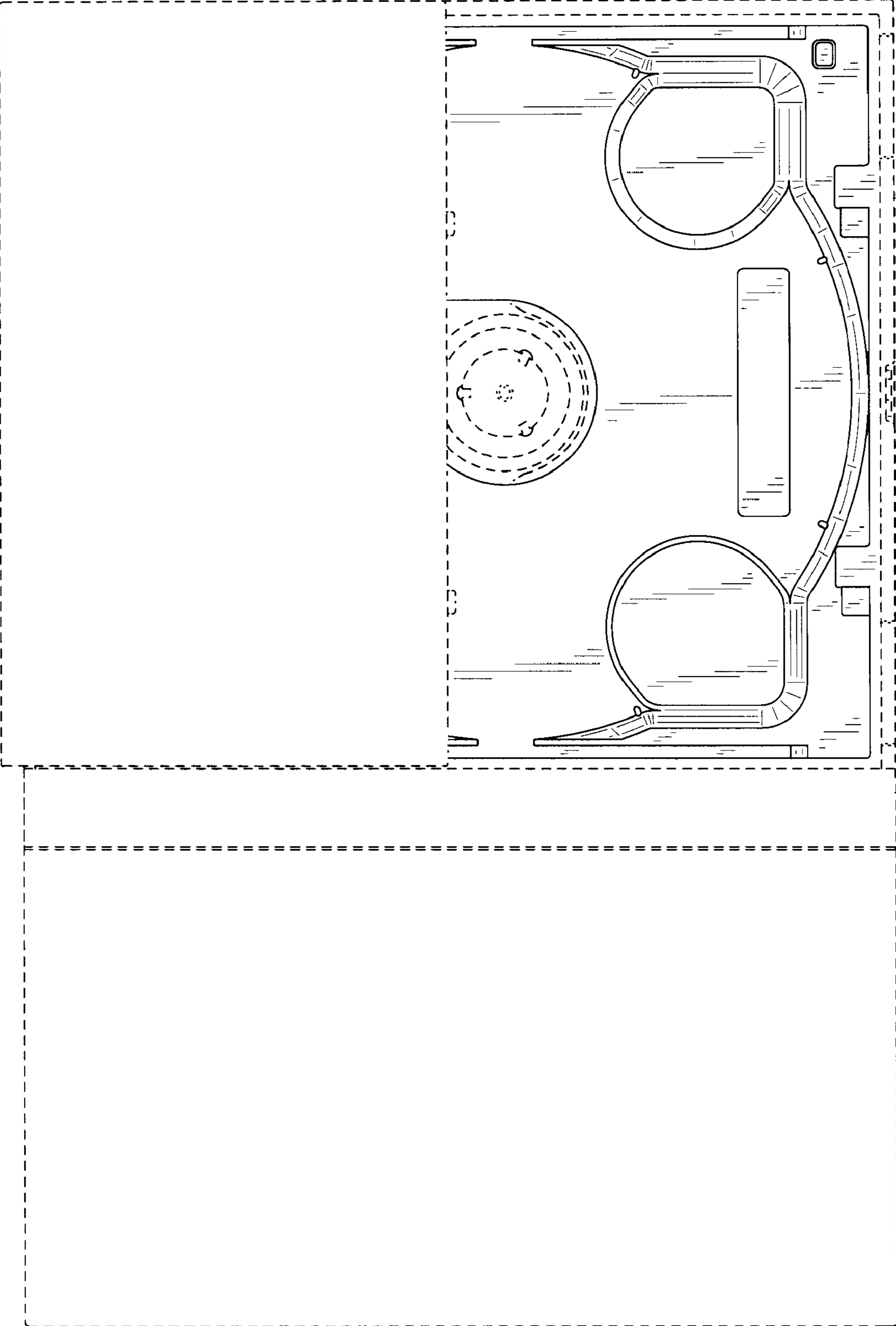


Fig.2

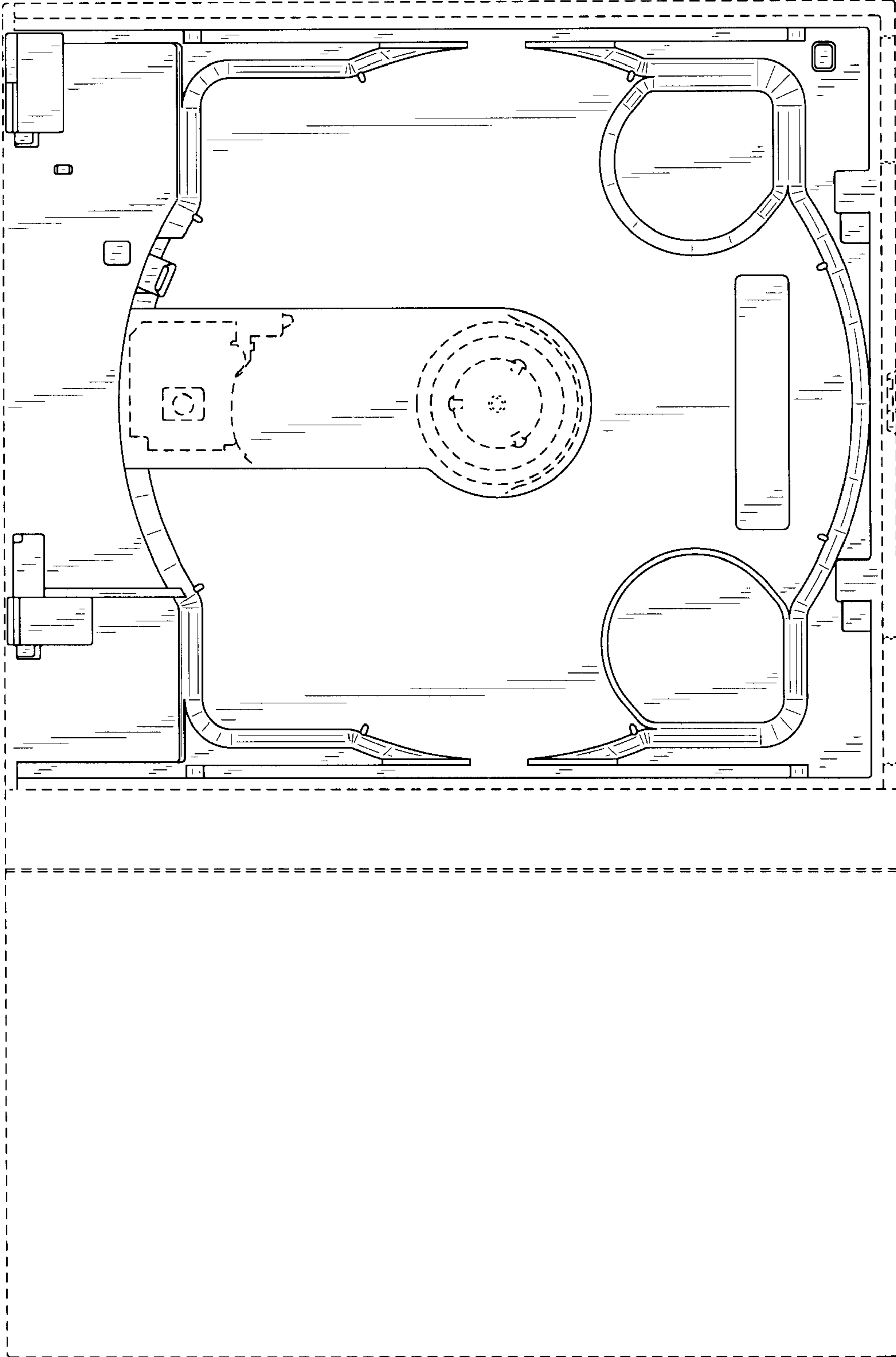


Fig. 3