



US00D526645S

(12) **United States Design Patent**
Ogren

(10) **Patent No.:** **US D526,645 S**

(45) **Date of Patent:** **** Aug. 15, 2006**

(54) **FRONT FACE OF A TELECOMMUNICATIONS MODULE**

D492,292 S 6/2004 Ogren
D495,321 S 8/2004 Ogren
D503,399 S 3/2005 Orgen

(75) Inventor: **Bruce Ogren**, Edina, MN (US)

OTHER PUBLICATIONS

(73) Assignee: **ADC Telecommunications, Inc.**, Eden Prairie, MN (US)

Brochure, "ADC's RF Worx™ RF Distribution And Management Products," *ADC Telecommunications*, pp. 2–10 (Dec. 1996).

(**) Term: **14 Years**

"DSX3R System DSX3R-440 Panels Installation and Cabling", Avaya Inc. Instruction Sheet, Issue 6 (Sep. 2001).

(21) Appl. No.: **29/171,999**

* cited by examiner

(22) Filed: **Dec. 3, 2002**

Primary Examiner—Charles A. Rademaker

(51) **LOC (8) Cl.** **14-03**

(74) *Attorney, Agent, or Firm*—Merchant & Gould P.C.

(52) **U.S. Cl.** **D14/240**

(58) **Field of Classification Search** D14/240–246,
D14/217, 180, 297, 257, 201; D13/184; 333/109,
333/118; 439/717, 74; 379/397, 413.02
See application file for complete search history.

(57) **CLAIM**

The ornamental design for the front face of a telecommunications module, as shown and described.

(56) **References Cited**

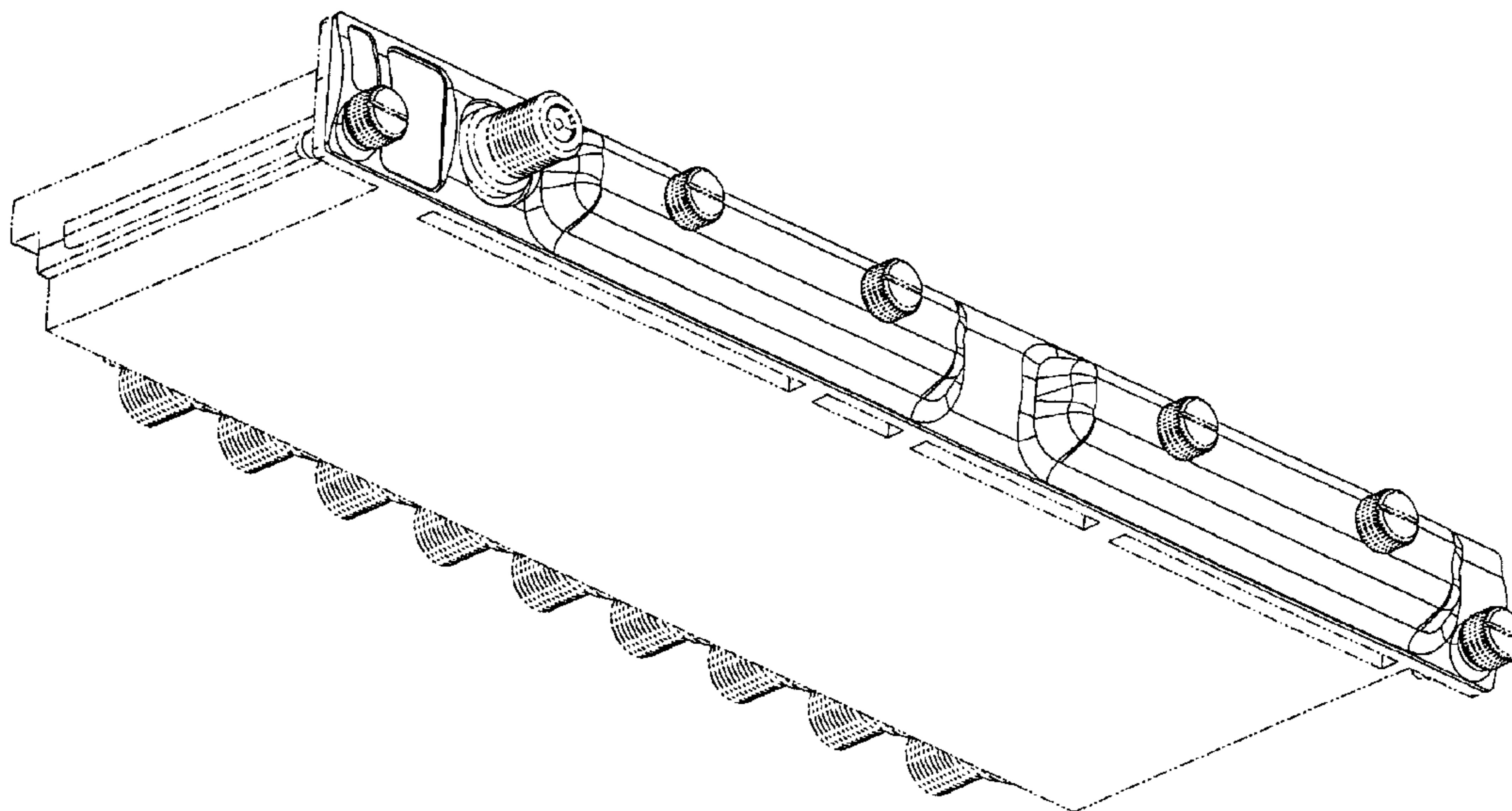
DESCRIPTION

U.S. PATENT DOCUMENTS

3,177,302	A	*	4/1965	Fingerle, Jr.	379/347
4,433,313	A	*	2/1984	Saint et al.	333/109
4,749,968	A		6/1988	Burroughs	
D318,279	S	*	7/1991	Laiacona et al.	D14/217
5,158,470	A		10/1992	Zarrei	
5,326,285	A	*	7/1994	Maros	439/717
5,348,491	A		9/1994	Louwagie et al.	
5,592,545	A		1/1997	Ho et al.	
5,638,035	A		6/1997	Romerein et al.	
D399,846	S		10/1998	Beggs	
D404,018	S	*	1/1999	Tucker et al.	D13/184
5,909,155	A		6/1999	Anderson et al.	
5,926,076	A	*	7/1999	Johnson et al.	333/109
5,955,930	A		9/1999	Anderson et al.	
D438,194	S		2/2001	Miyazaki	
D440,558	S		4/2001	Fishman	
D473,543	S		4/2003	Powell et al.	
6,545,562	B1		4/2003	Loeffelholz et al.	

FIG. 1 is a front, perspective of a front face of a telecommunications module showing my new design;
FIG. 2 is a front elevation view thereof;
FIG. 3 is a top plan view thereof;
FIG. 4 is a bottom plan view thereof;
FIG. 5 is a right end elevation thereof;
FIG. 6 is a left end elevation thereof;
FIG. 7 is a front, perspective view of a modified embodiment of the design shown in FIGS. 1 through 6;
FIG. 8 is a front, elevation thereof;
FIG. 9 is a top plan view thereof;
FIG. 10 is a bottom plan view thereof;
FIG. 11 is a right, end elevation thereof; and,
FIG. 12 is a left, end elevation thereof.
The broken line depiction of some portions of the module is for illustrative purposes only and forms no part of the claimed design.

1 Claim, 10 Drawing Sheets



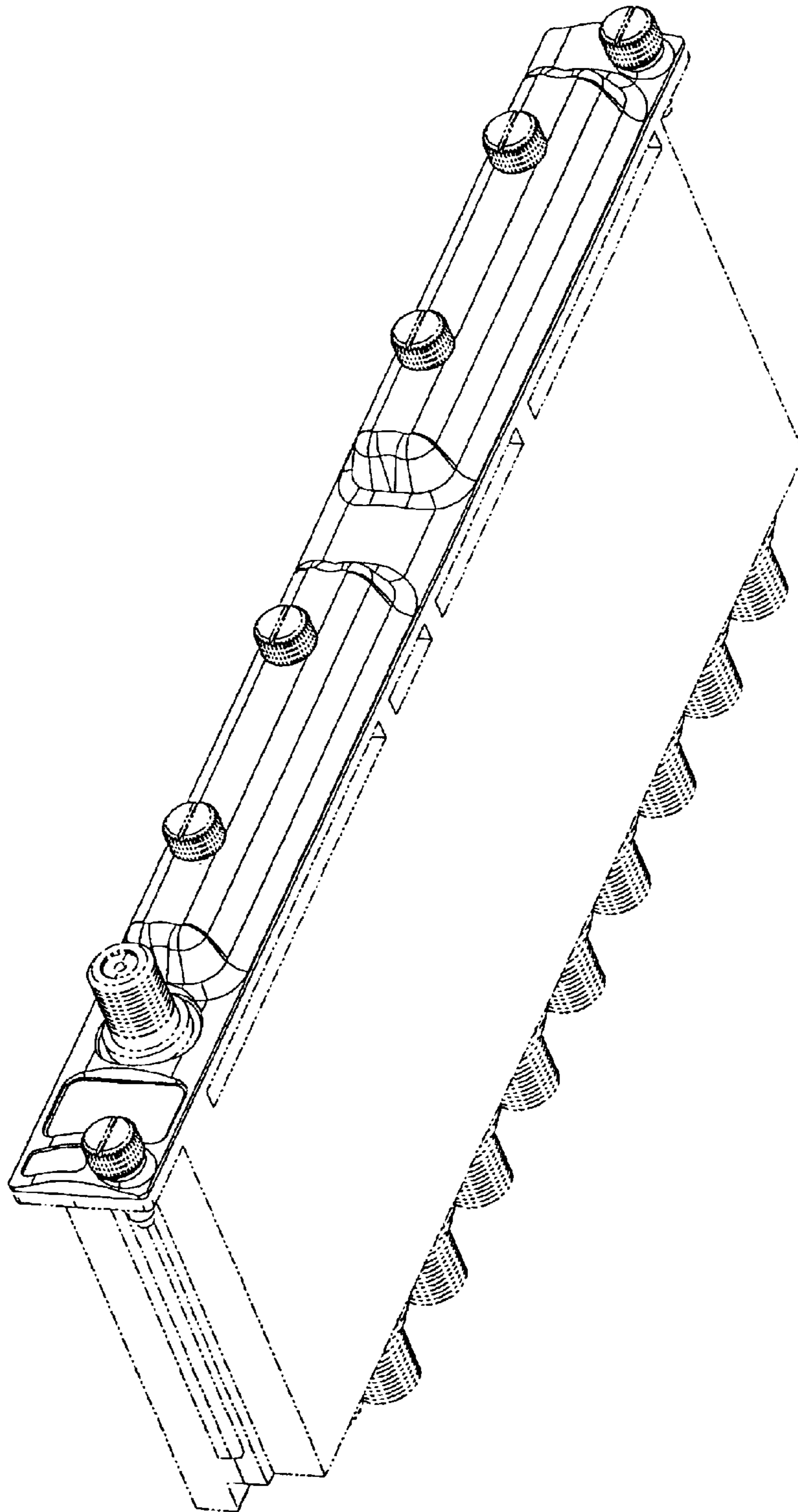


FIG. 1

FIG. 2

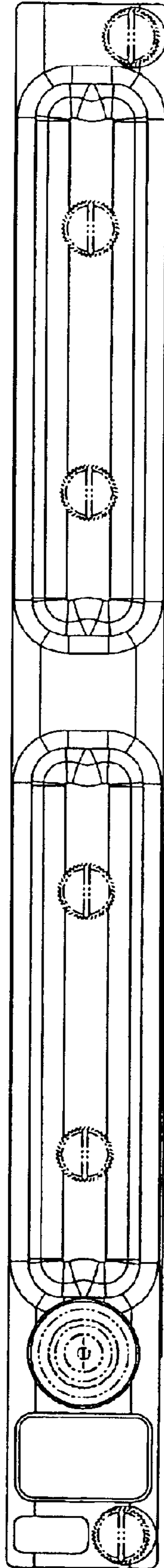


FIG. 3

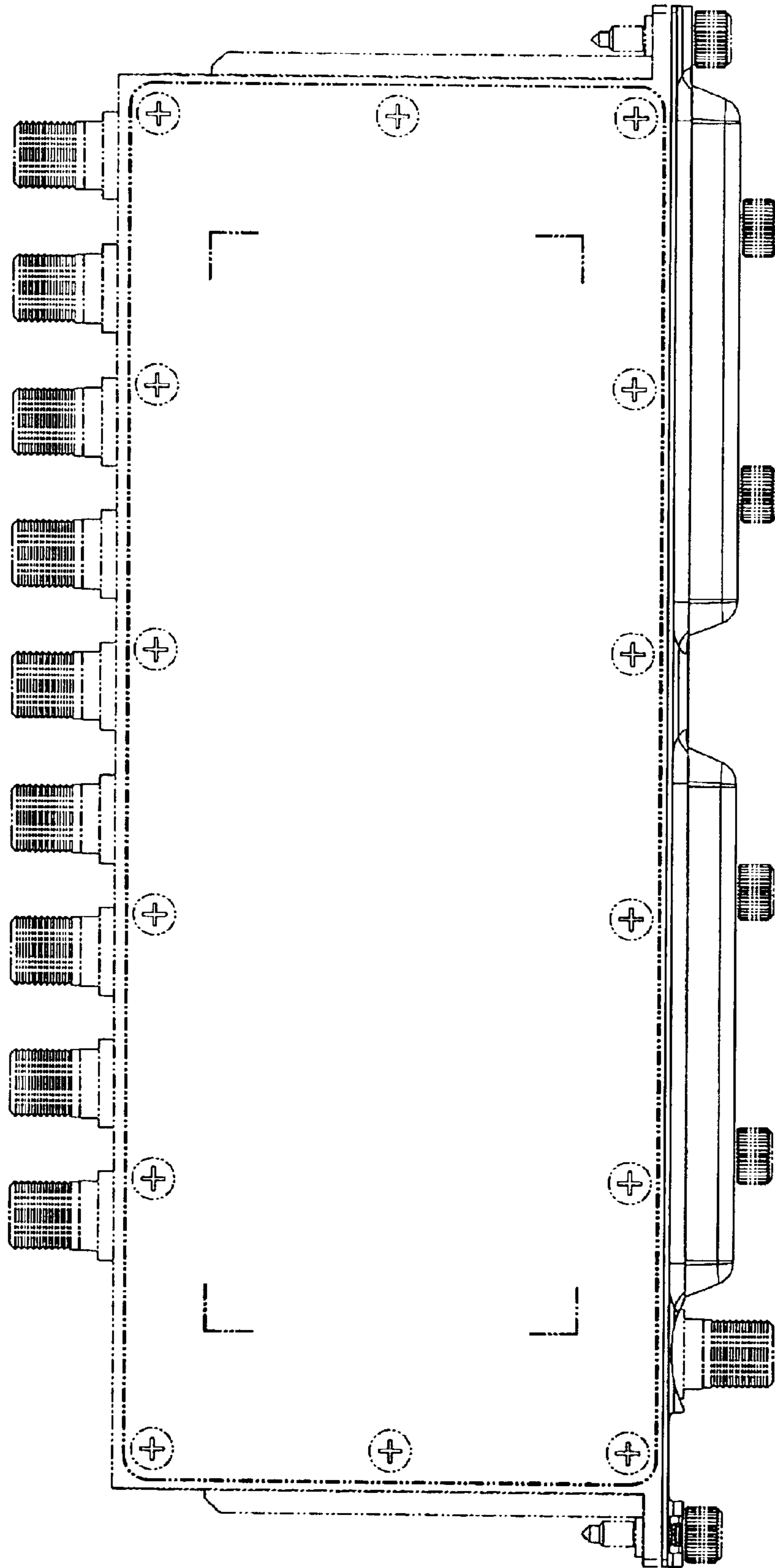


FIG. 4

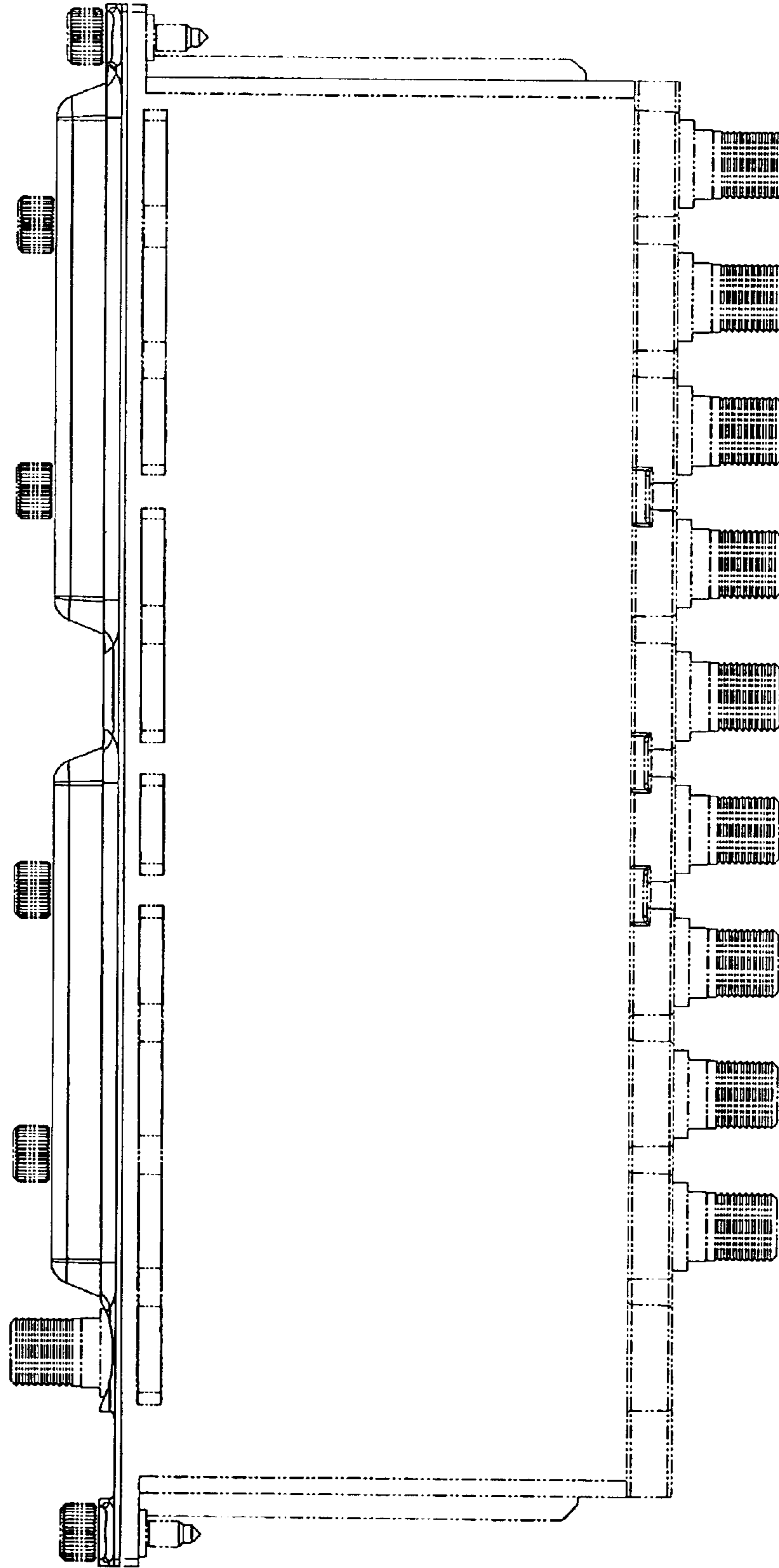


FIG. 5

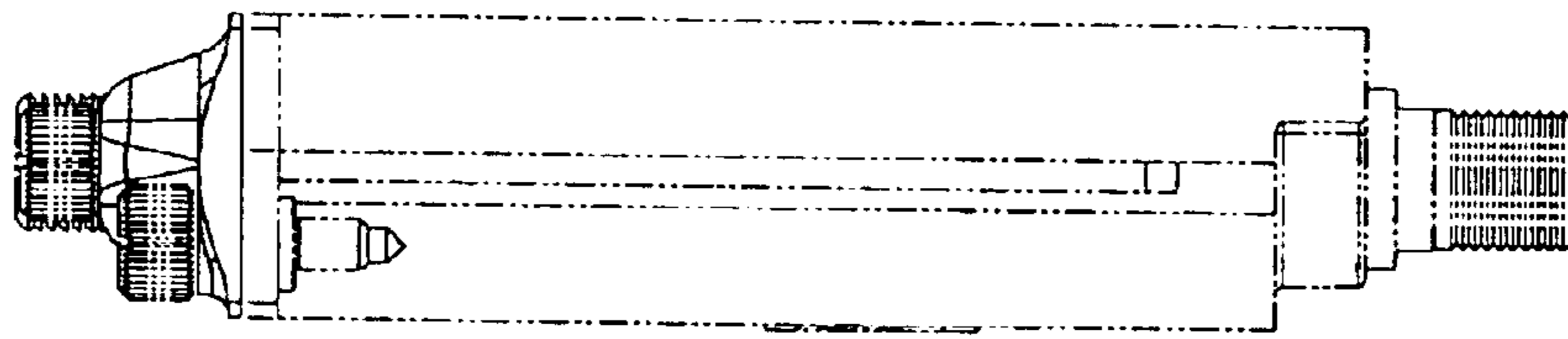
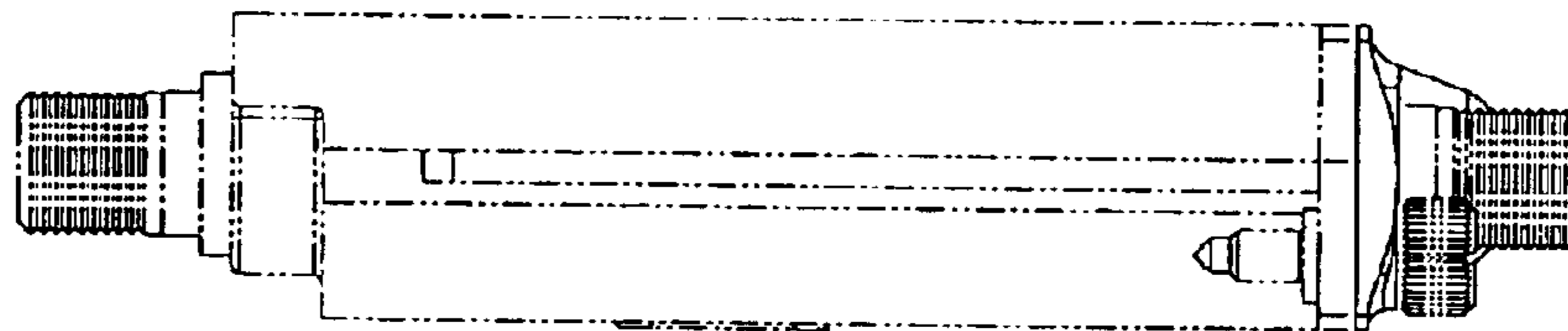


FIG. 6



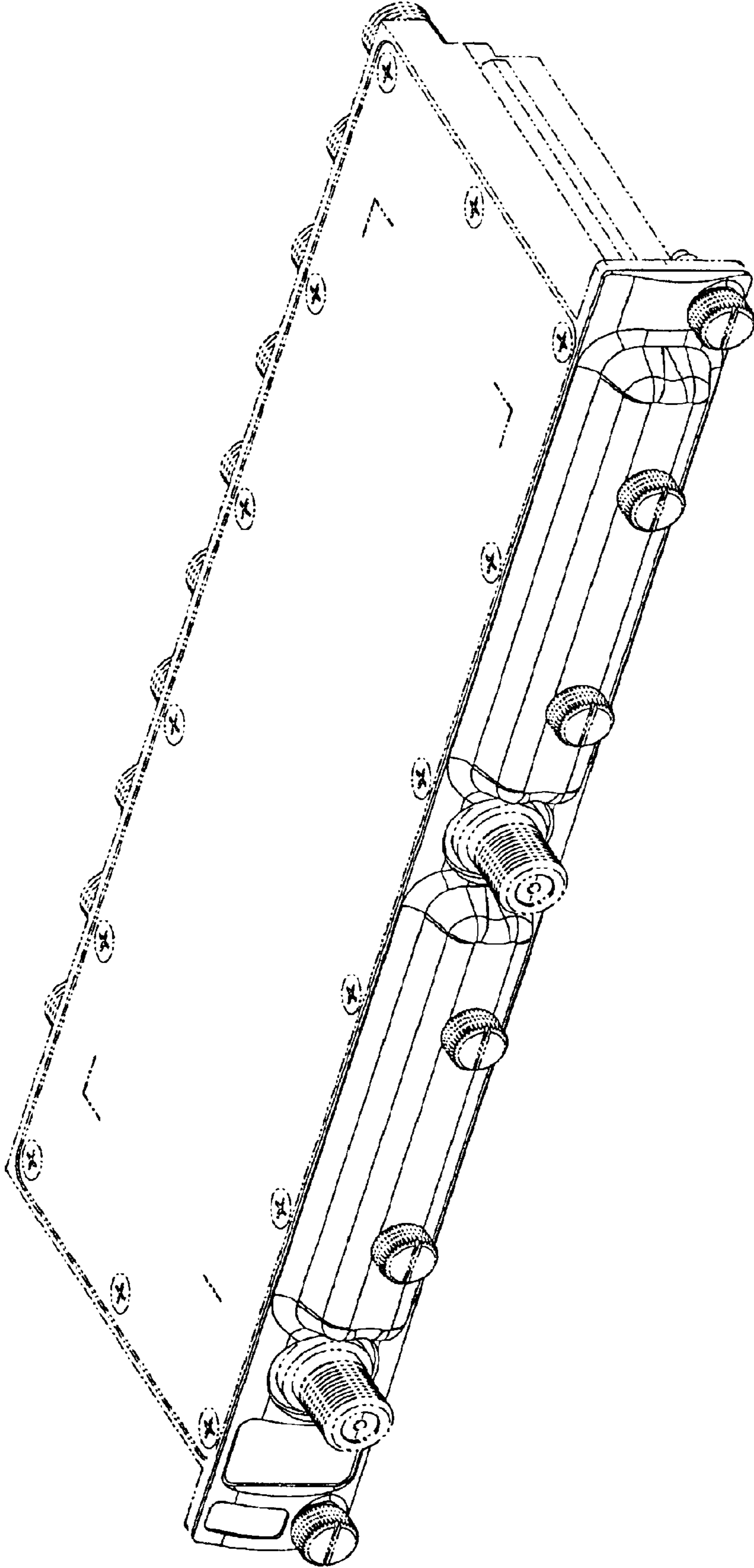


FIG. 7

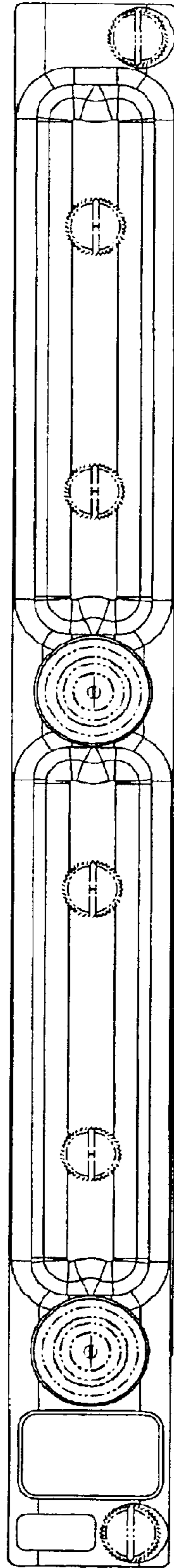


FIG. 8

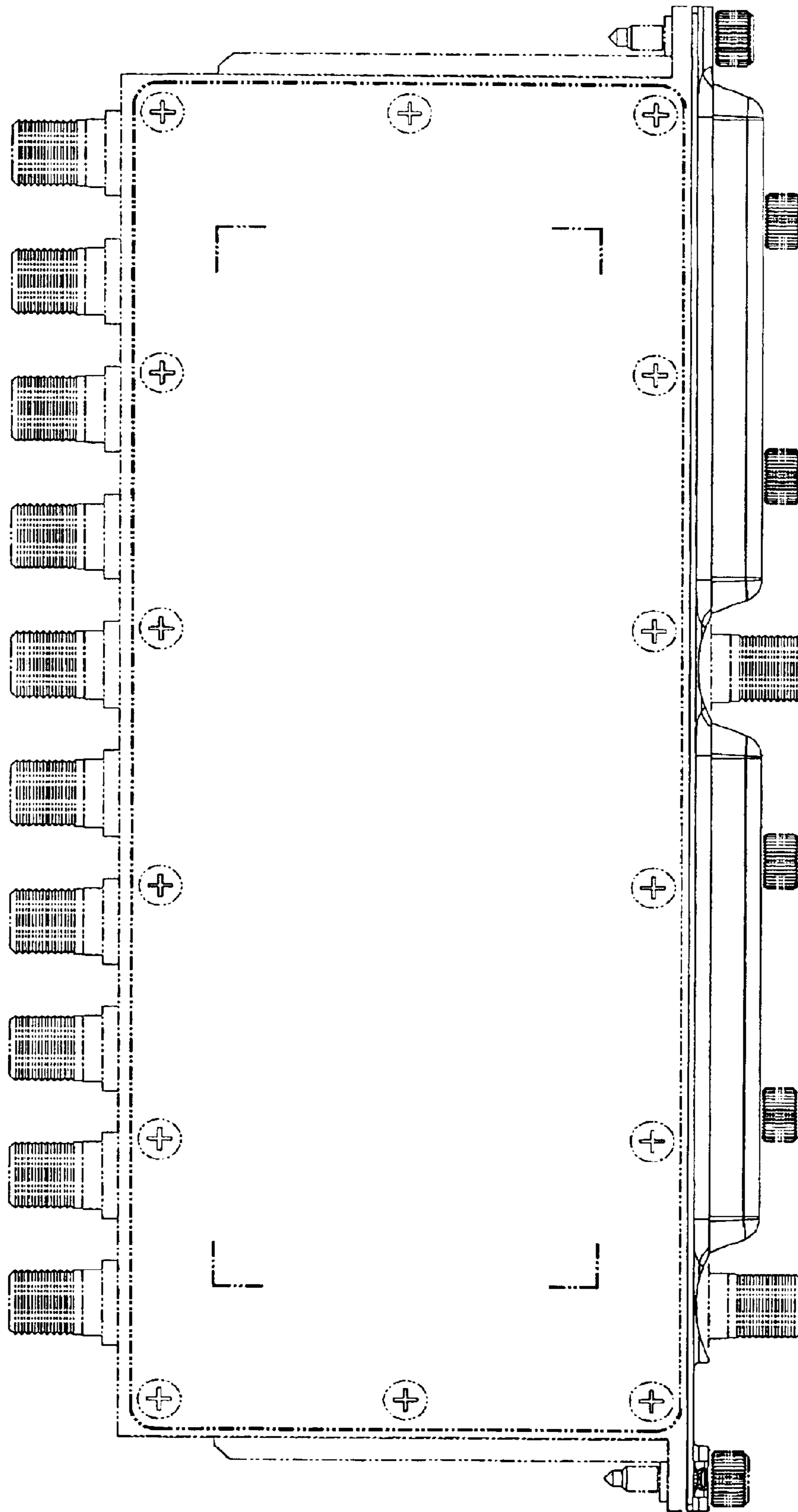


FIG. 9

FIG. 10

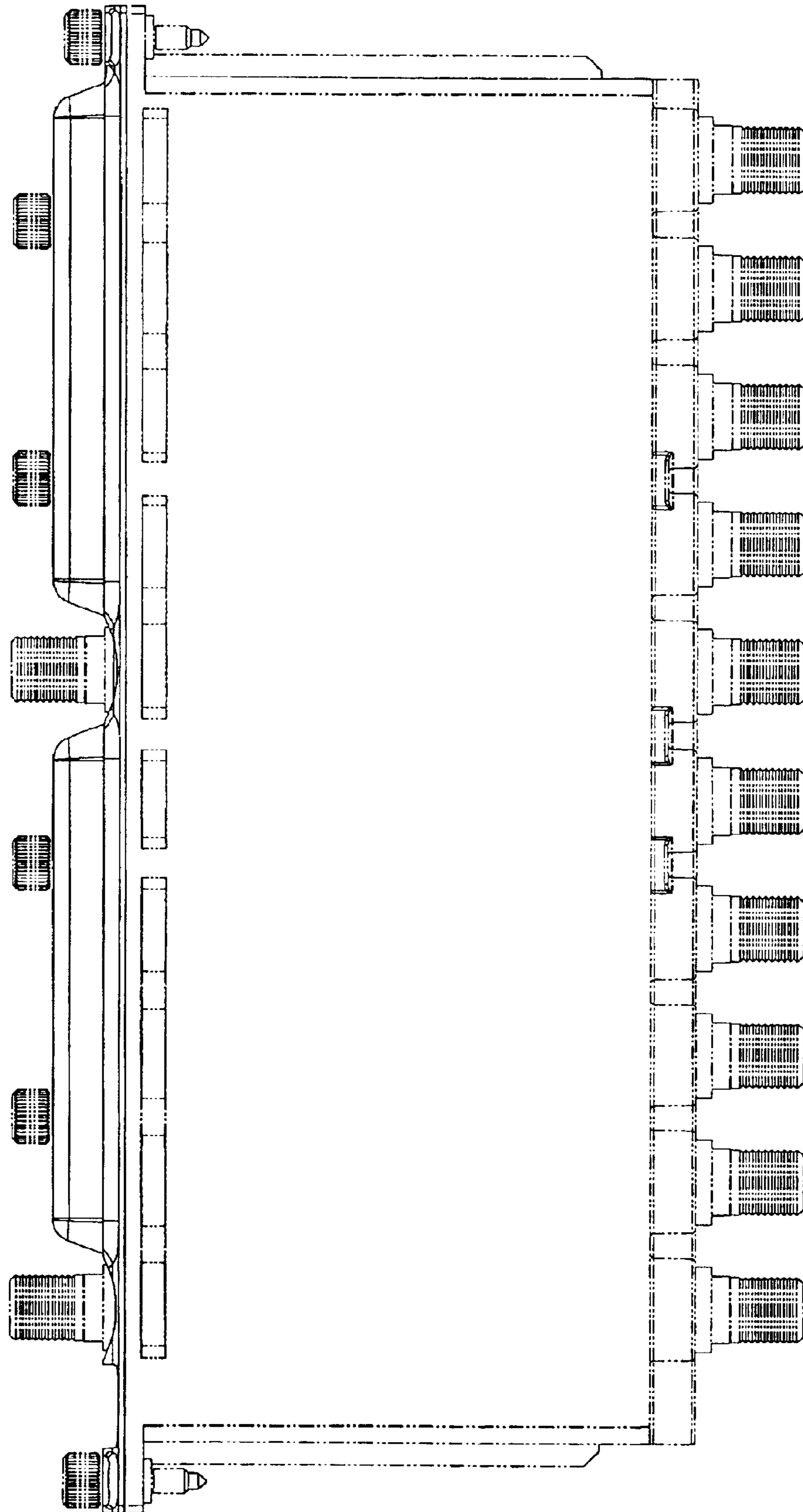


FIG. 11

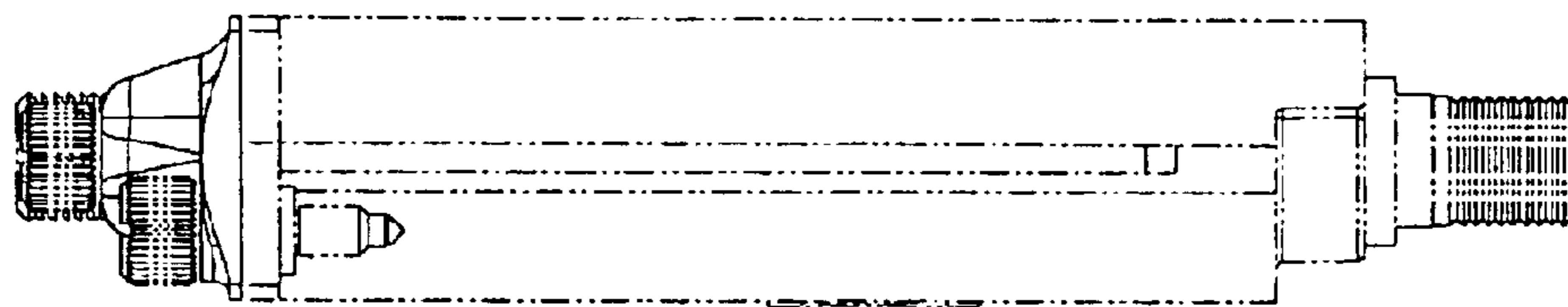


FIG. 12

