

US00D526644S

(12) **United States Design Patent**
Breit

(10) **Patent No.:** **US D526,644 S**

(45) **Date of Patent:** **** Aug. 15, 2006**

(54) **SPEAKER SYSTEM**

4,953,223 A * 8/1990 Householder 381/387
D430,142 S * 8/2000 Kuo et al. D14/216
D497,358 S * 10/2004 Takeuchi et al. D14/211

(75) Inventor: **Oliver Breit**, Hong Kong (HK)

* cited by examiner

(73) Assignee: **Format Industrial Design Co. Ltd.**,
Hong Kong (HK)

Primary Examiner—Nanda Bondade

(**) Term: **14 Years**

(74) *Attorney, Agent, or Firm*—Crowell & Moring LLP

(21) Appl. No.: **29/218,876**

(57) **CLAIM**

(22) Filed: **Dec. 9, 2004**

The ornamental design for a speaker system, as shown and described.

(51) **LOC (8) Cl.** **14-01**

DESCRIPTION

(52) **U.S. Cl.** **D14/216**

(58) **Field of Classification Search** D14/204,
D14/207, 209–216, 356; 181/143–144, 147–148,
181/150, 157, 198–199, 151, 153; 381/300–302,
381/306, 333, 345, 361–364, 386–388, 332,
381/336

FIG. 1 is a front view of a speaker system according to my novel design;

FIG. 2 is a side view thereof;

FIG. 3 is a bottom view thereof;

FIG. 4 is a perspective view thereof in an open position;

FIG. 5 is a top view of FIG. 4;

FIG. 6 is a front view of FIG. 4; and,

FIG. 7 is a partial rear view thereof, shown separately for clarity of illustration.

See application file for complete search history.

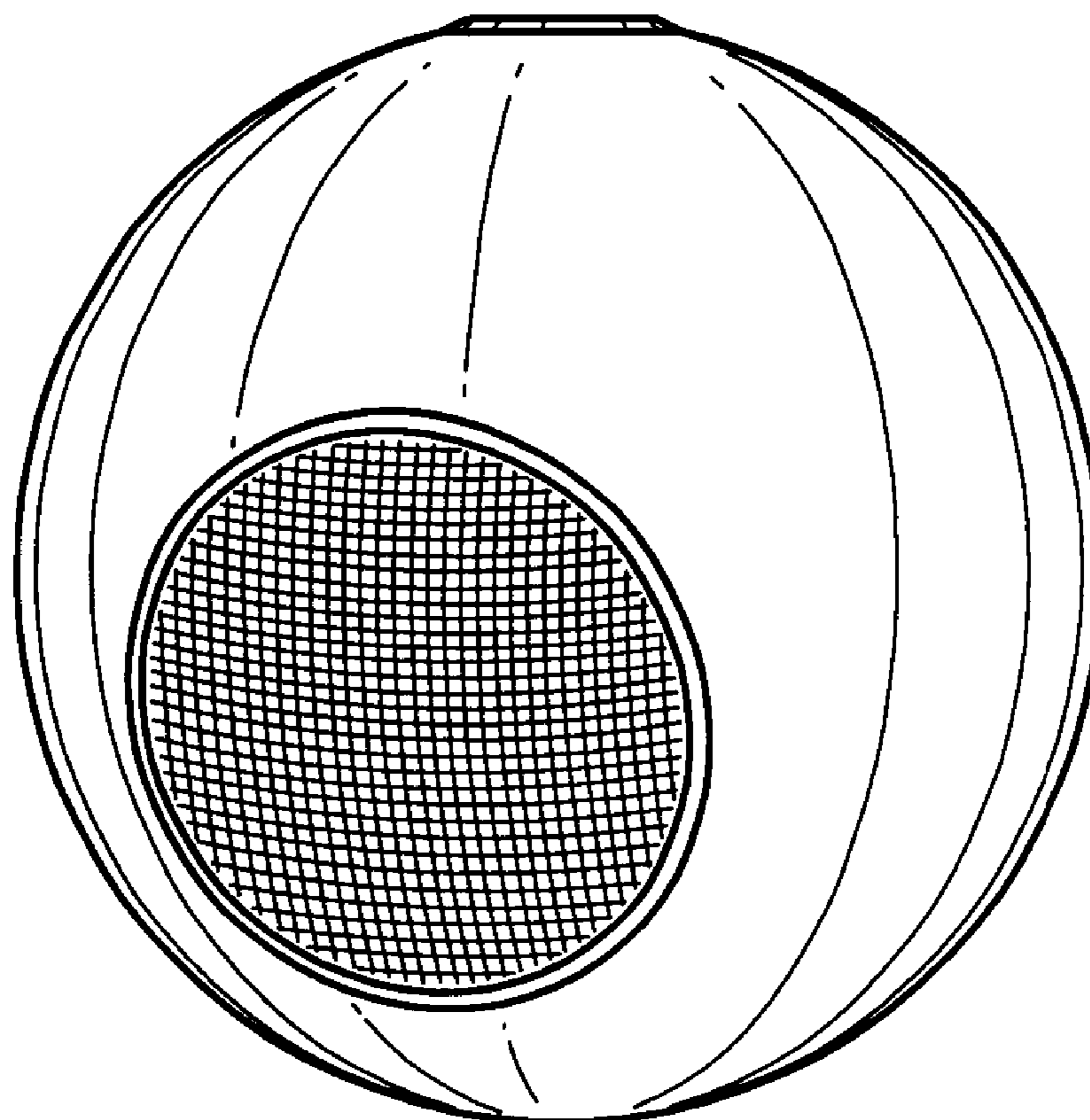
The broken lines are for illustrative purposes only and form no part of the claimed design.

(56) **References Cited**

U.S. PATENT DOCUMENTS

D186,892 S * 12/1959 Wilber D14/211
3,720,787 A * 3/1973 Ishii et al. 381/336
D281,066 S * 10/1985 Humble et al. D14/215

1 Claim, 4 Drawing Sheets



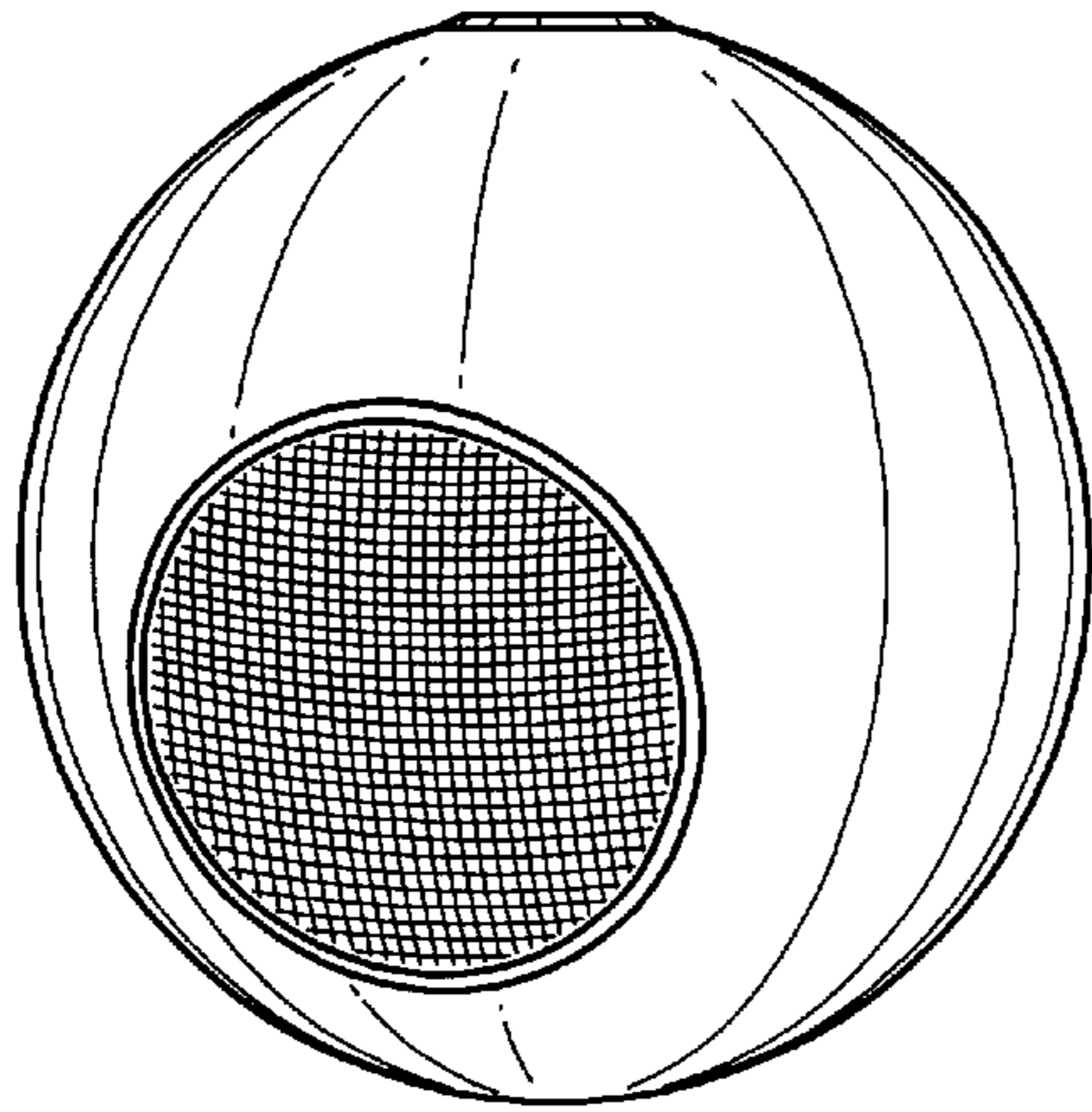


FIG. 1

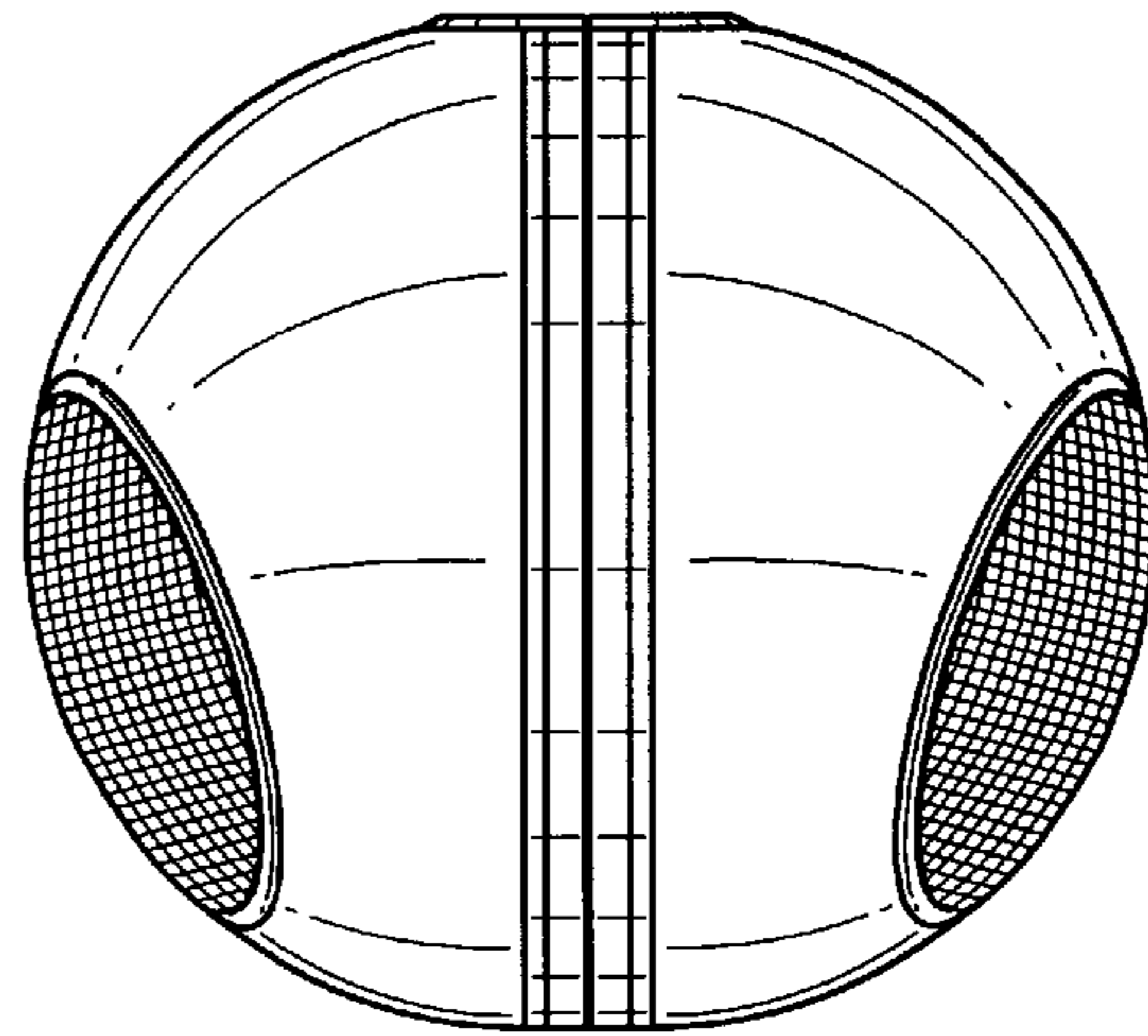


FIG. 2

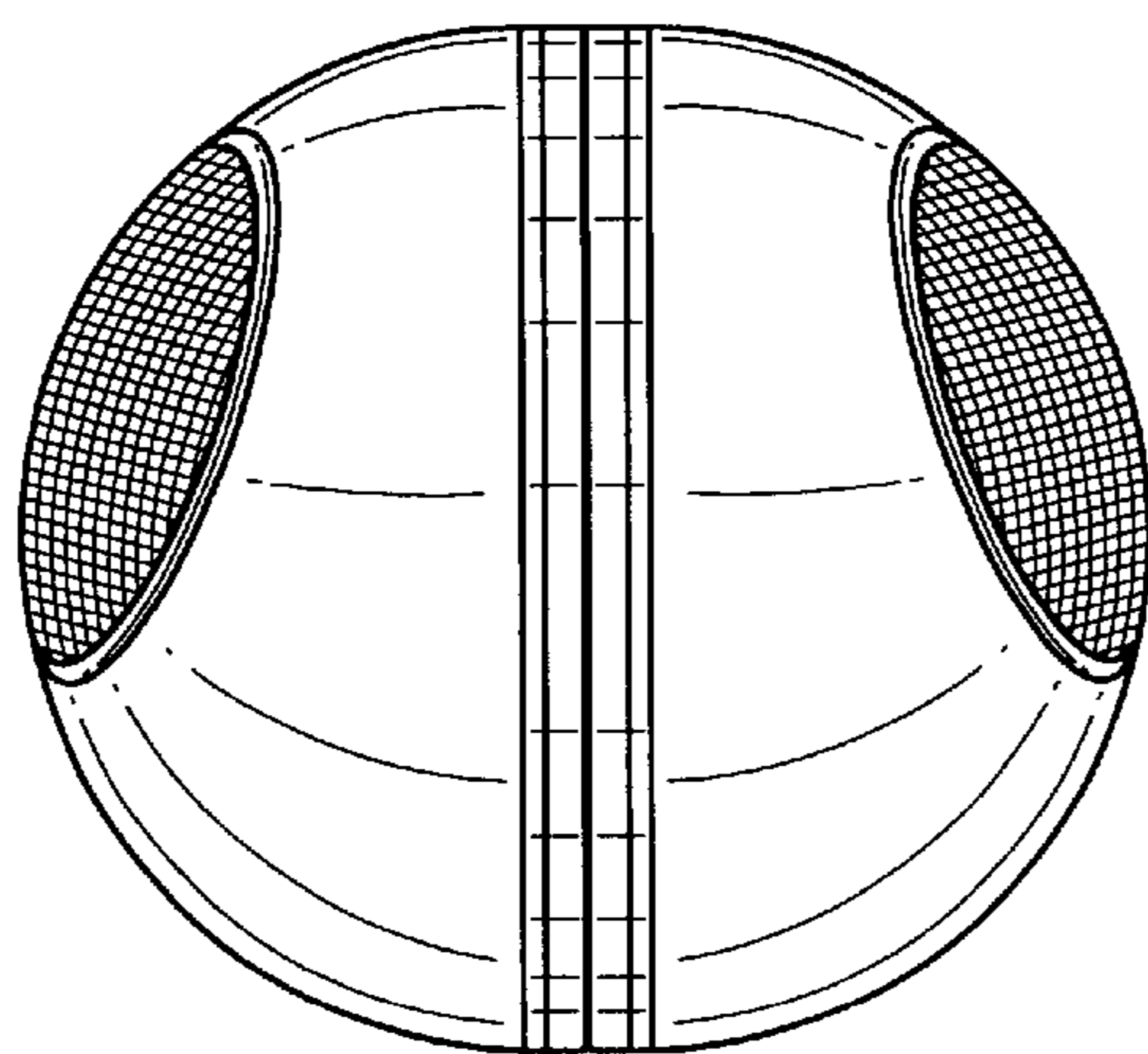


FIG. 3

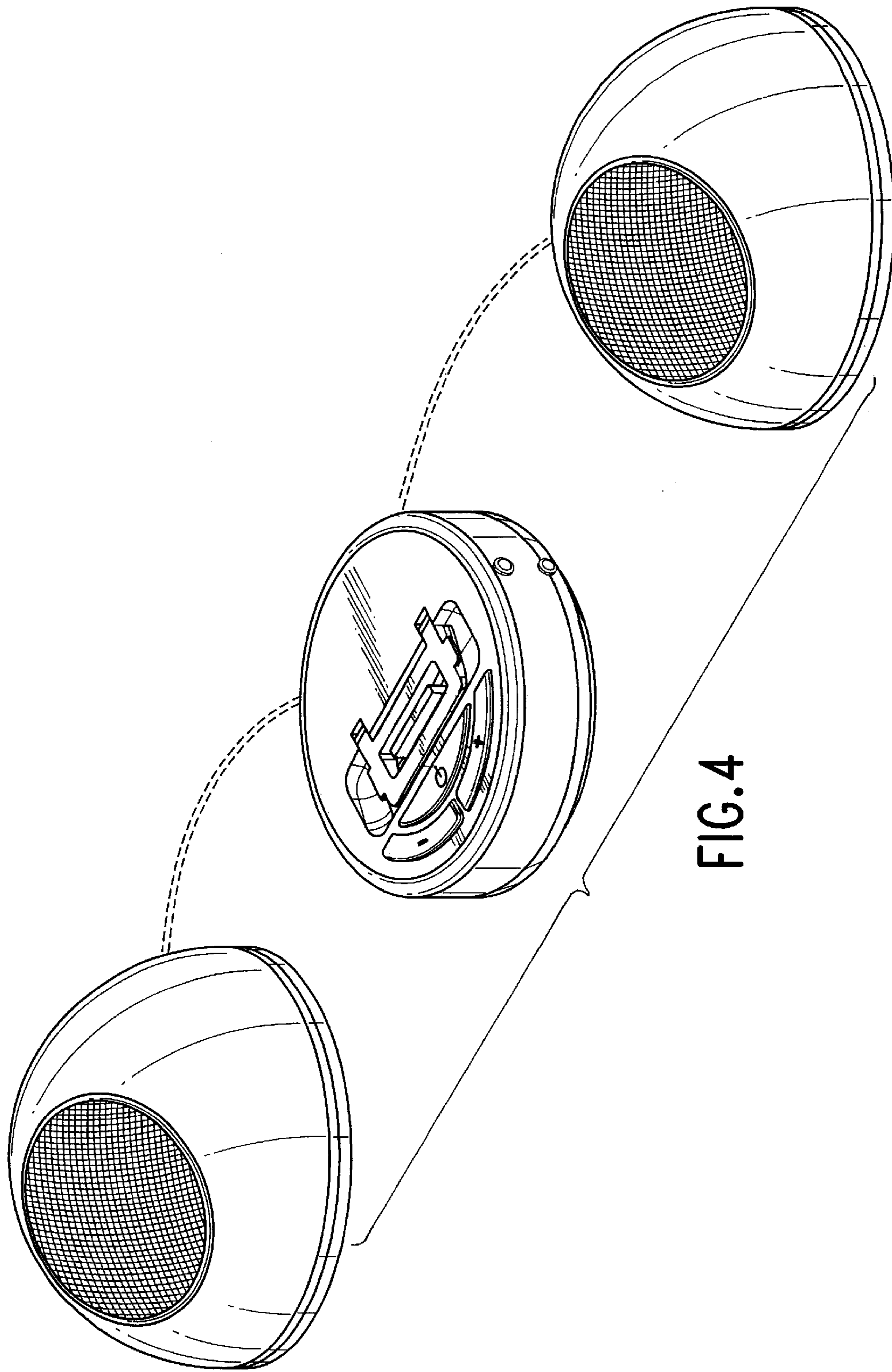


FIG. 4

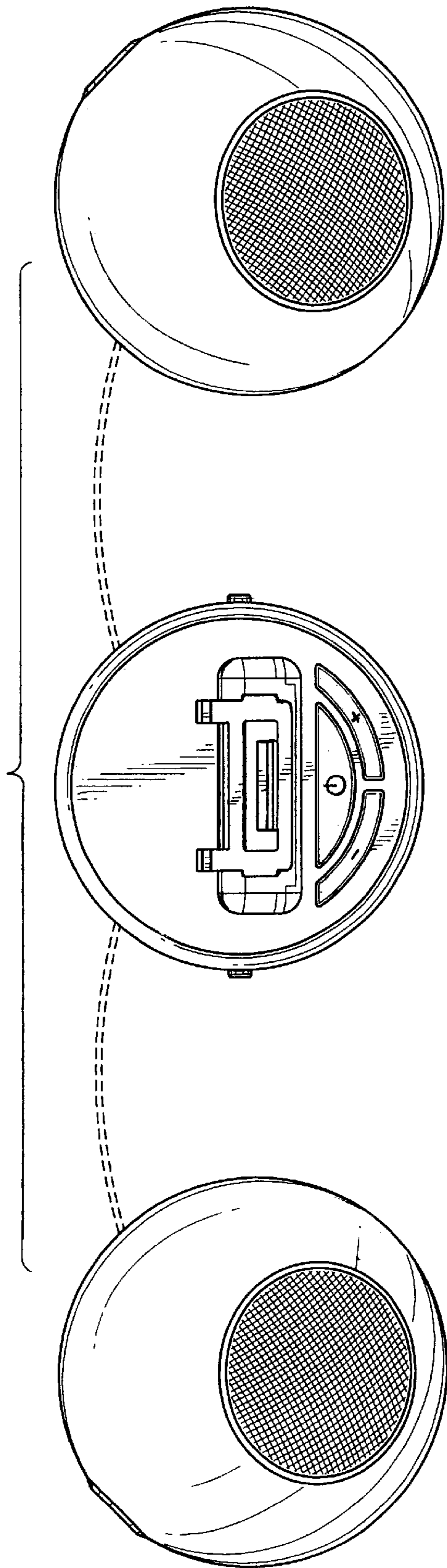


FIG. 5

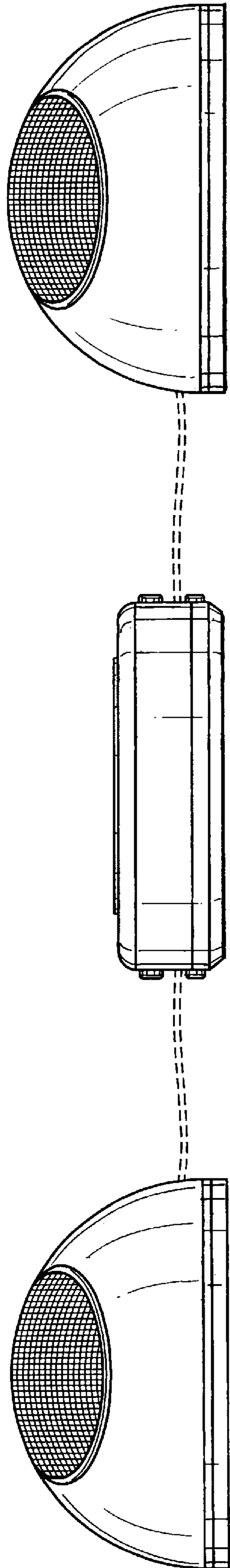


FIG. 6

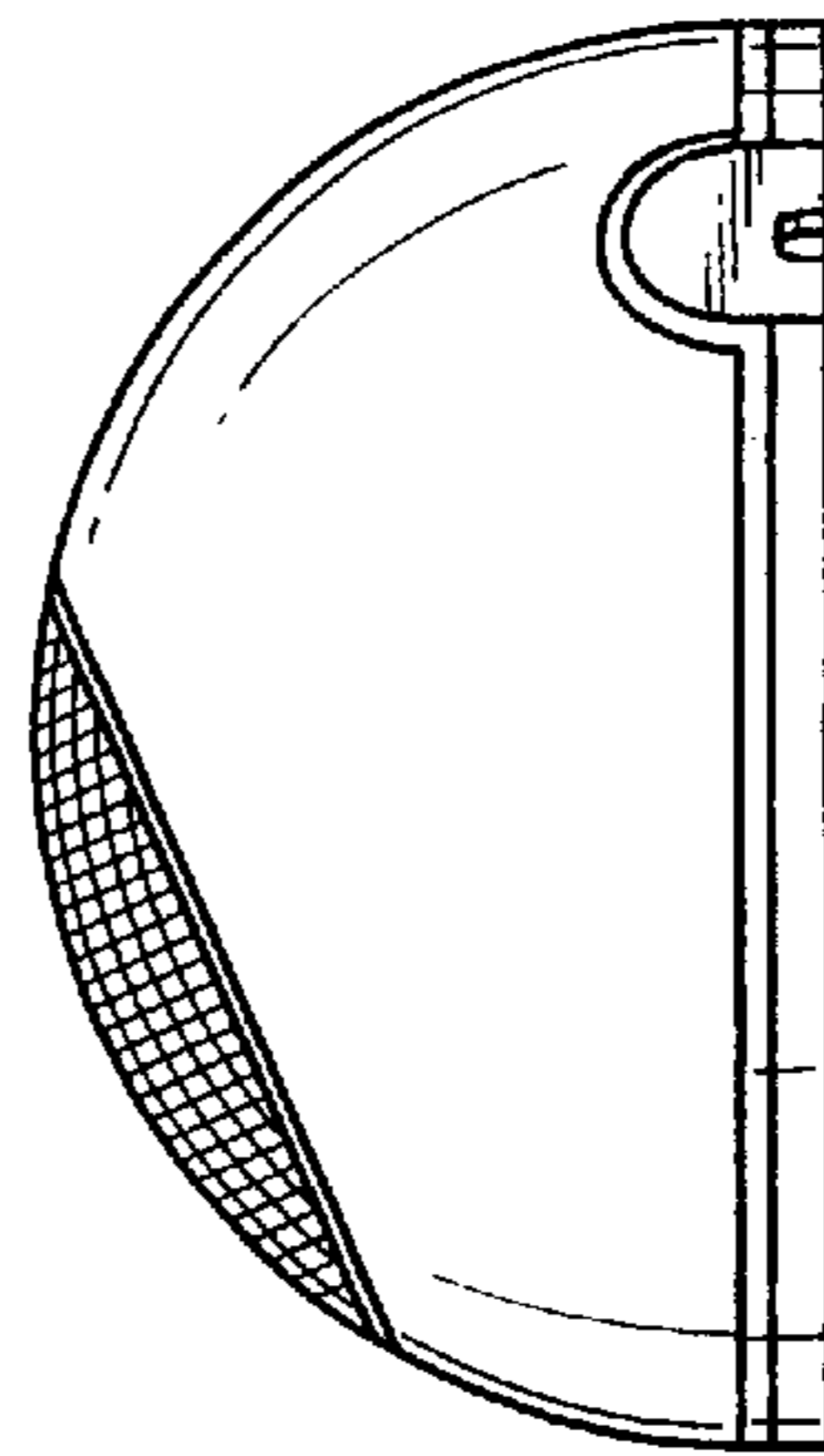


FIG. 7

UNITED STATES PATENT AND TRADEMARK OFFICE
CERTIFICATE OF CORRECTION

PATENT NO. : Des. 526,644 S
APPLICATION NO. : 29/218876
DATED : August 15, 2006
INVENTOR(S) : Oliver Breit

Page 1 of 1

It is certified that error appears in the above-identified patent and that said Letters Patent is hereby corrected as shown below:

On the title page, column 1 should read:

Item (73) Assignee: Formart Industrial Design Co. Ltd., Hong Kong (HK)

Signed and Sealed this

Twenty-sixth Day of June, 2007

A handwritten signature in black ink on a dotted background. The signature reads "Jon W. Dudas" in a cursive style.

JON W. DUDAS

Director of the United States Patent and Trademark Office