



US00D526639S

(12) **United States Design Patent**  
**Huang**

(10) **Patent No.:** **US D526,639 S**

(45) **Date of Patent:** **\*\* Aug. 15, 2006**

(54) **TELEPHONE**

(75) Inventor: **Cheng-Ai Huang**, Taipei (TW)

(73) Assignee: **PChome Online, Inc.**, Taipei (TW)

(\*\*) Term: **14 Years**

(21) Appl. No.: **29/236,781**

(22) Filed: **Aug. 23, 2005**

(51) **LOC (8) Cl.** ..... **14-03**

(52) **U.S. Cl.** ..... **D14/147**

(58) **Field of Classification Search** ..... D14/137,  
D14/138, 143, 144, 147, 148, 149, 150, 218,  
D14/250, 341-346; D13/168; 379/428.01,  
379/428.02, 433.04, 433.07, 433.11, 434,  
379/451, 452; D26/32, 37, 38, 47, 51, 57,  
D26/94, 97

See application file for complete search history.

(56) **References Cited**

**U.S. PATENT DOCUMENTS**

- 3,659,050 A \* 4/1972 Carlsson et al. .... 379/420.03
- D226,199 S \* 1/1973 Breger ..... D14/147
- D231,363 S \* 4/1974 Schmidt ..... D14/147
- D238,079 S \* 12/1975 Herlbertson ..... D14/147
- D257,976 S \* 1/1981 Schmidt ..... D18/7
- D261,761 S \* 11/1981 Ingber et al. .... D14/330
- D262,207 S \* 12/1981 Kaczkos ..... D14/248
- D266,758 S \* 11/1982 Johannsen et al. .... D13/168
- D275,392 S \* 9/1984 Breger ..... D14/147
- D279,565 S \* 7/1985 Forbis et al. .... D14/346
- D282,739 S \* 2/1986 Salovaara ..... D14/147
- D283,126 S \* 3/1986 Marshall ..... D14/147
- D283,709 S \* 5/1986 Williams et al. .... D14/147
- D309,302 S \* 7/1990 Dickson ..... D14/138
- D310,219 S \* 8/1990 Carlile ..... D14/159
- D312,628 S \* 12/1990 Yokoi et al. .... D14/346

- D322,610 S \* 12/1991 Auerbach et al. .... D14/218
- D340,034 S \* 10/1993 Hofstetter et al. .... D14/426
- D345,355 S \* 3/1994 Konno et al. .... D14/138
- D345,548 S \* 3/1994 Giebler et al. .... D14/339
- D350,119 S \* 8/1994 Kumar et al. .... D14/343
- D357,917 S \* 5/1995 Ito et al. .... D14/218
- D366,459 S \* 1/1996 Kurokawa et al. .... D13/164
- D383,130 S \* 9/1997 Waldner ..... D14/138
- D398,903 S \* 9/1998 Chacon et al. .... D14/343
- D413,328 S \* 8/1999 Kazama ..... D14/218
- D434,762 S \* 12/2000 Ikenaga ..... D14/371
- D451,603 S \* 12/2001 Bastyr et al. .... D24/186
- D477,591 S \* 7/2003 Hung ..... D14/218
- D513,035 S \* 12/2005 Lui ..... D18/7

**FOREIGN PATENT DOCUMENTS**

- WO DM/046392 \* 9/1998
- WO DM/057521 \* 6/2001
- WO DM/058624 \* 12/2001

\* cited by examiner

*Primary Examiner*—Jeffrey D. Asch

*Assistant Examiner*—Carla Jobe Wright

(74) *Attorney, Agent, or Firm*—Bacon & Thomas

(57) **CLAIM**

The ornamental design for a telephone, as shown and described.

**DESCRIPTION**

FIG. 1 is a perspective view of a telephone in accordance with my design;

FIG. 2 is a front view thereof;

FIG. 3 is a rear view thereof;

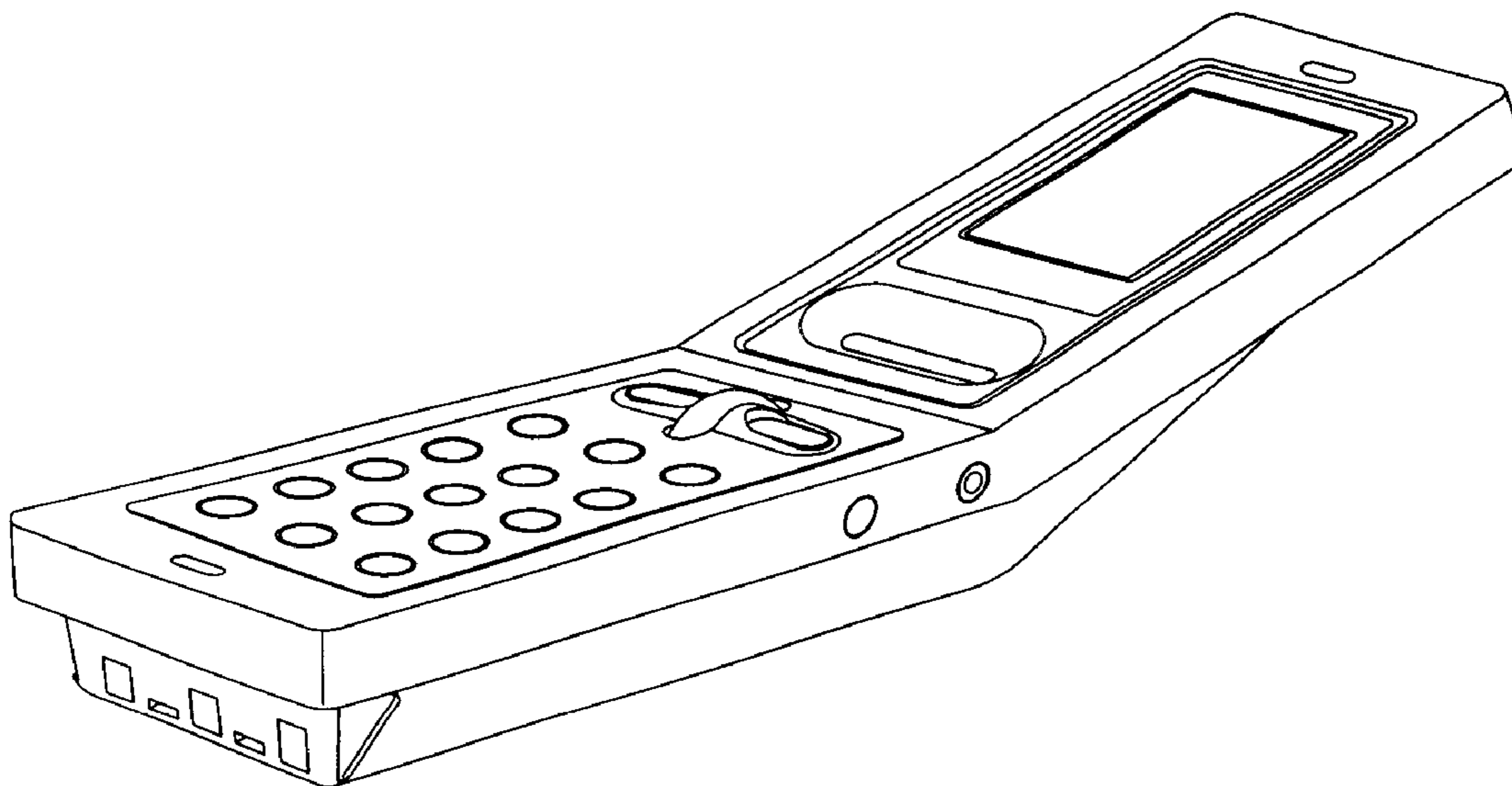
FIG. 4 is a left view thereof;

FIG. 5 is a right view thereof;

FIG. 6 is a top view thereof; and,

FIG. 7 is a bottom view thereof.

**1 Claim, 4 Drawing Sheets**



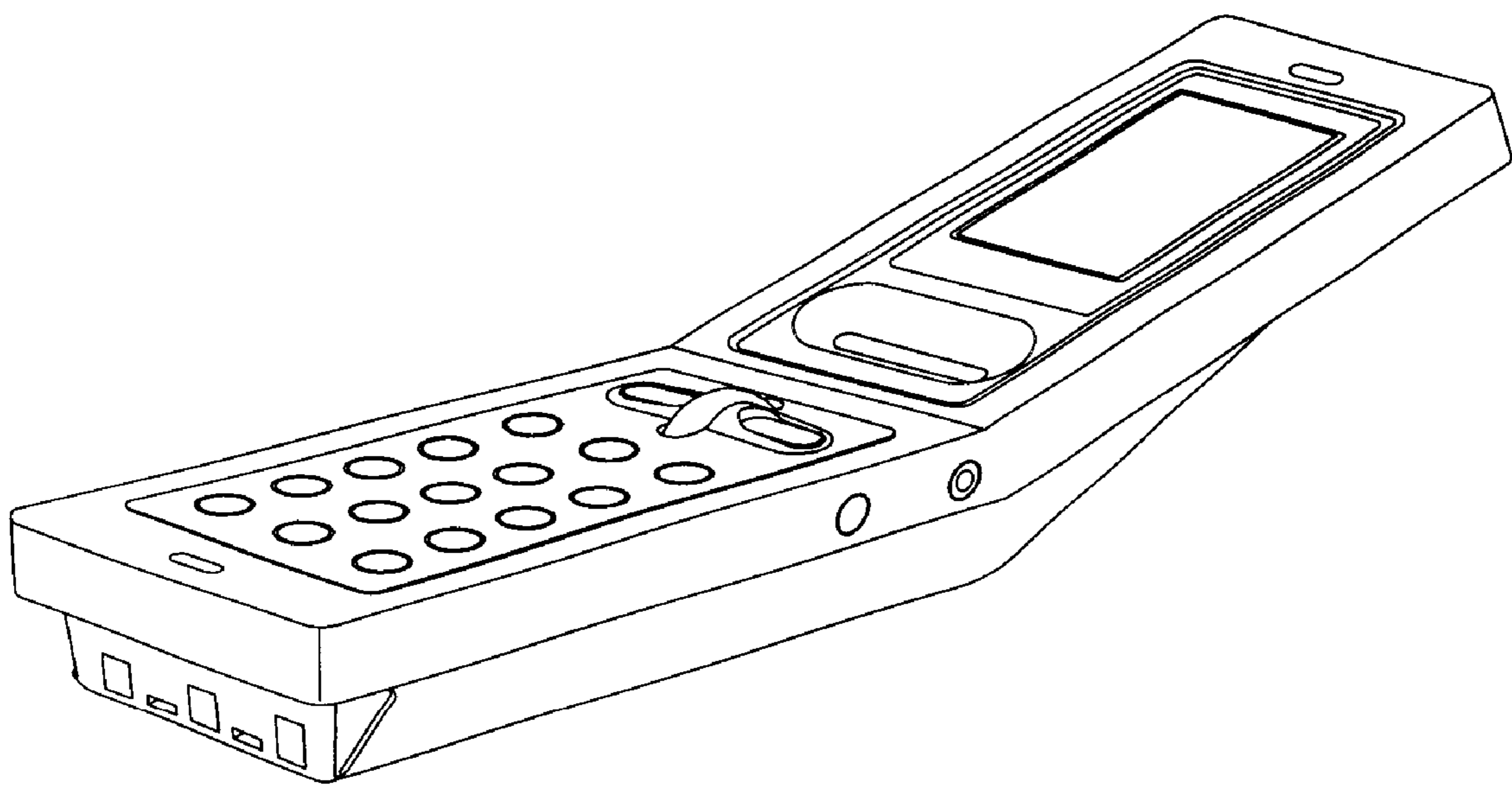


FIG. 1

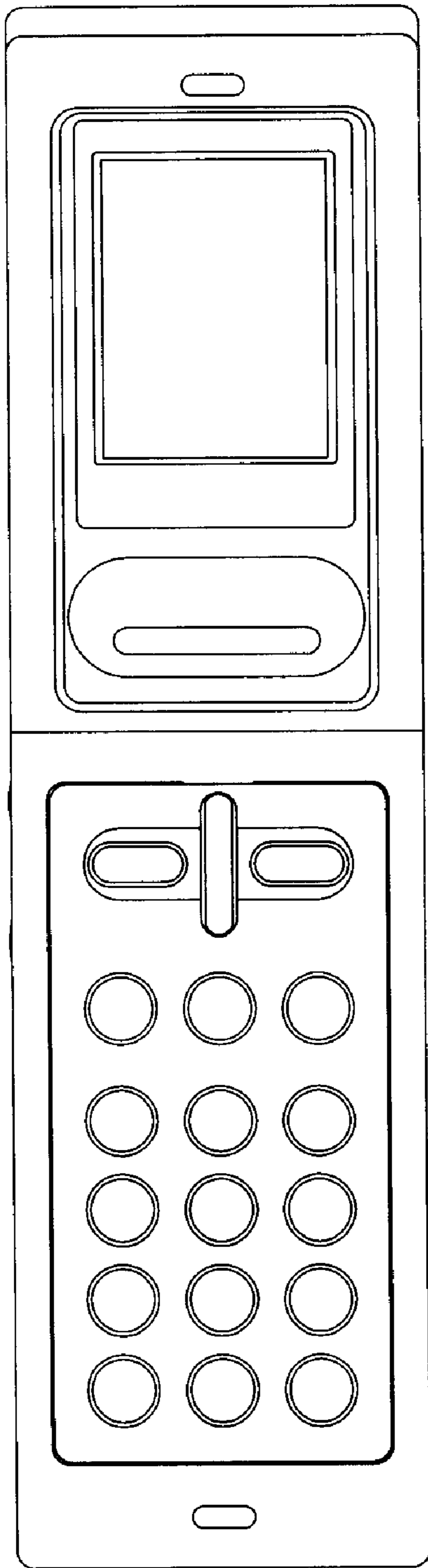


FIG. 2

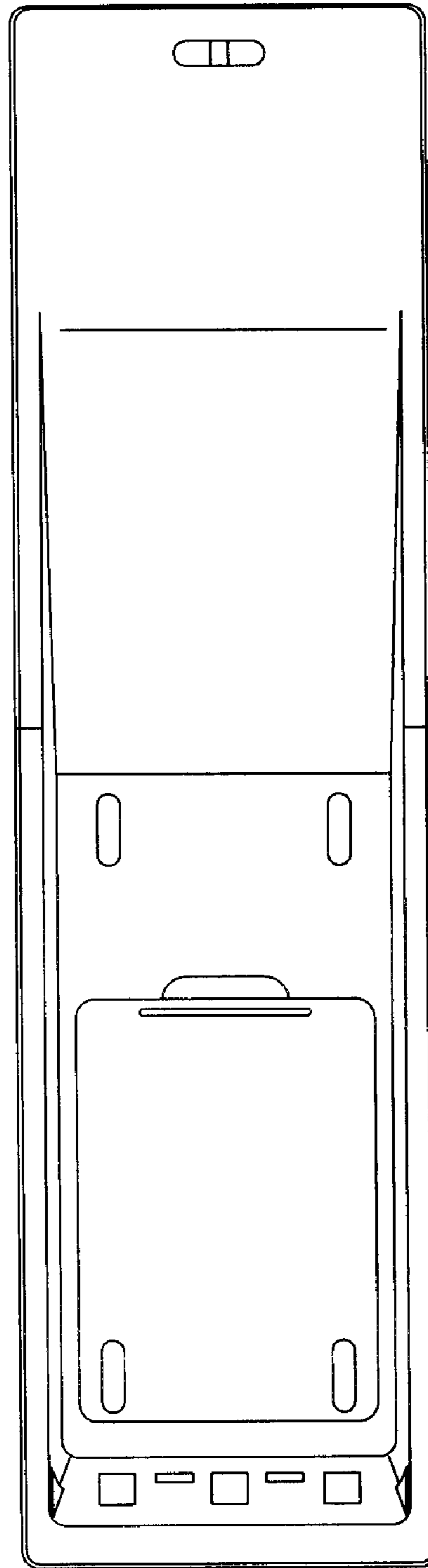


FIG. 3

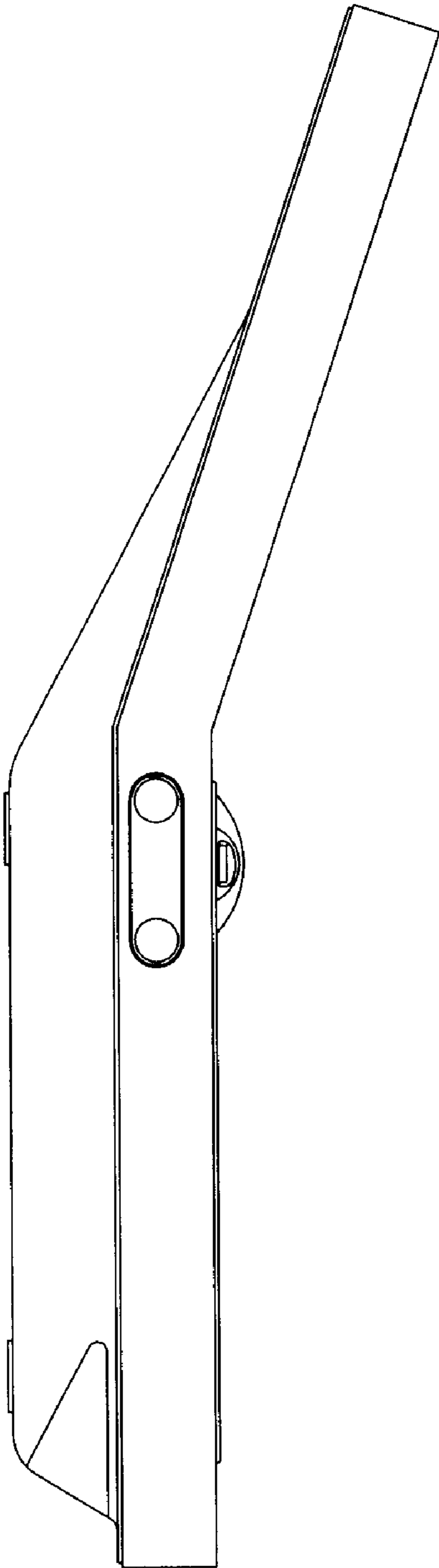


FIG. 4

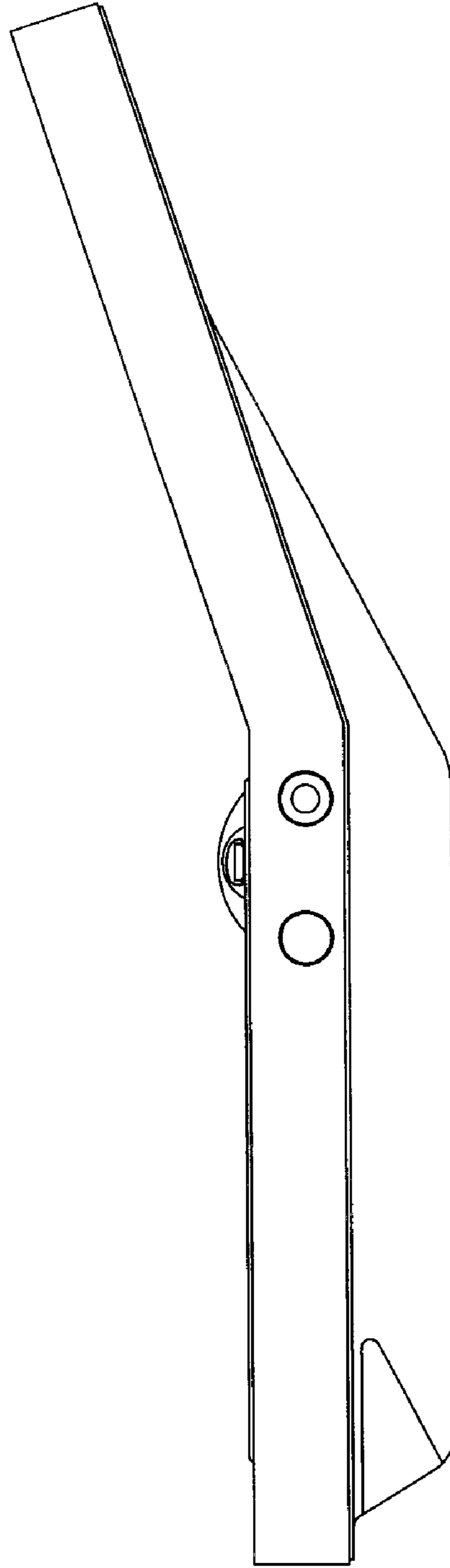


FIG. 5

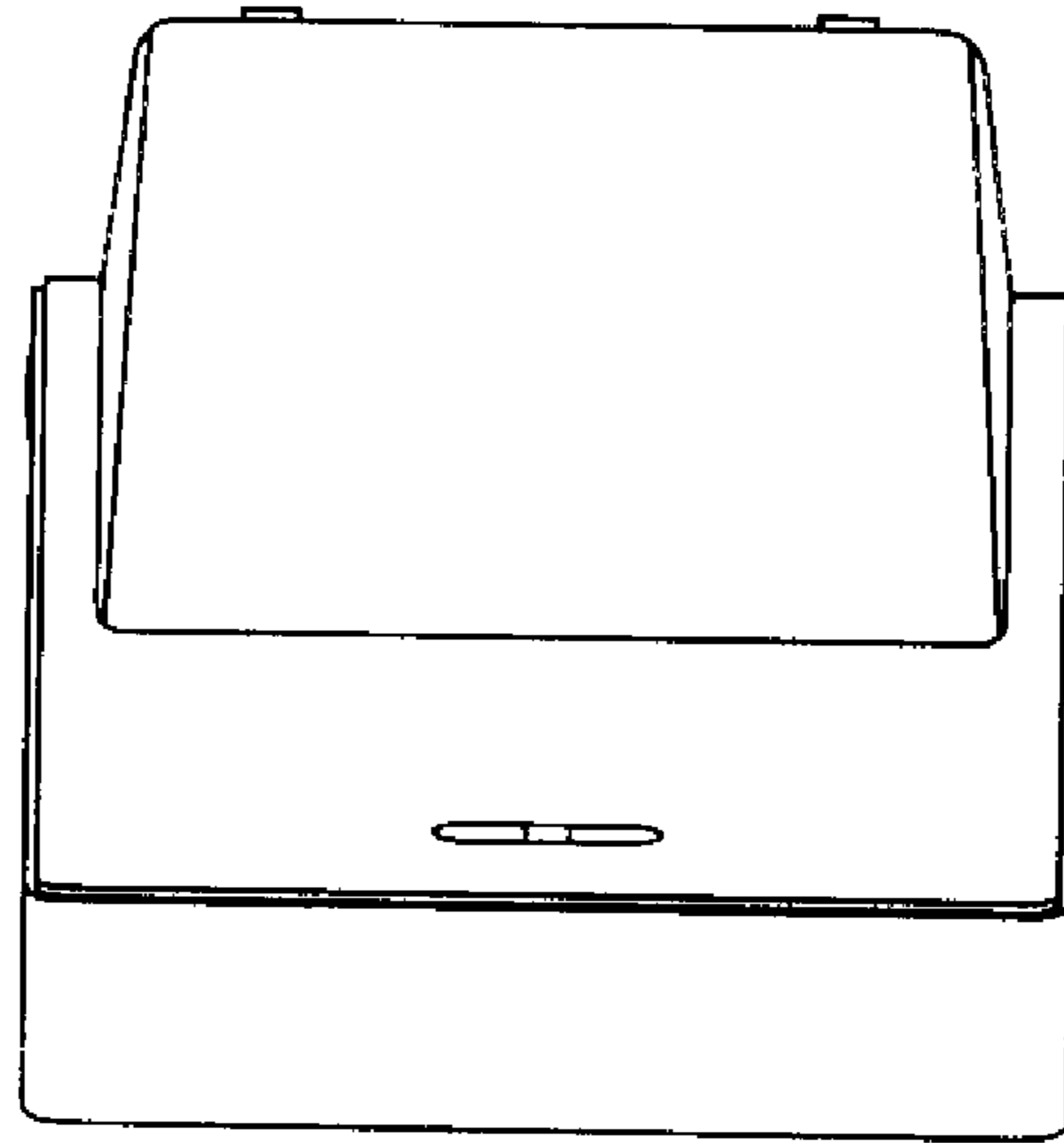


FIG. 6

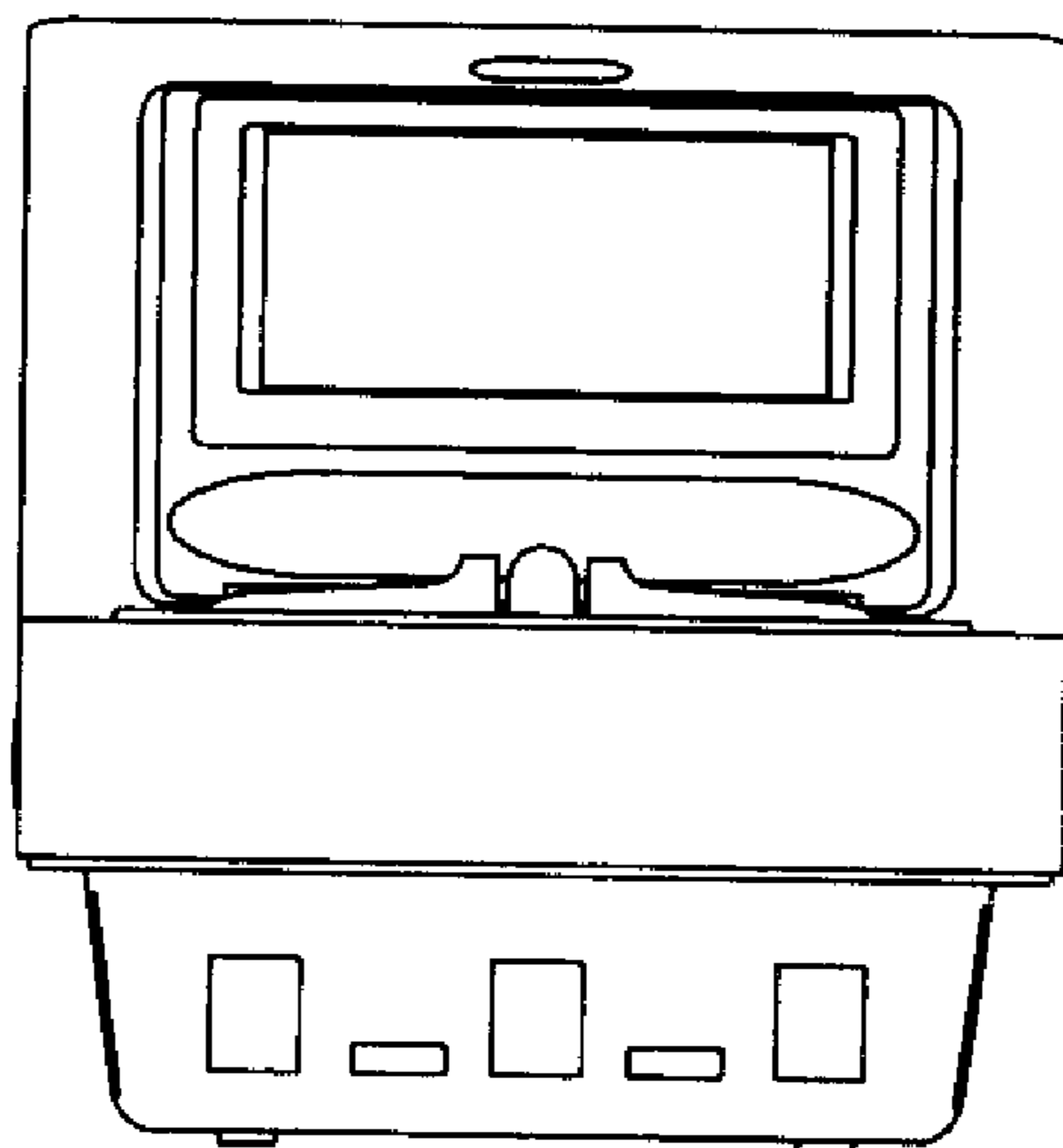


FIG. 7