



US00D526638S

(12) **United States Design Patent**
Farkas

(10) **Patent No.:** **US D526,638 S**

(45) **Date of Patent:** **** Aug. 15, 2006**

(54) **CAR SHAPED CELL PHONE AND FLASHLIGHT**

(76) Inventor: **Matthew S. Farkas**, 315 Conover Pl.,
Red Bank, NJ (US) 07701

(**) Term: **14 Years**

(21) Appl. No.: **29/212,535**

(22) Filed: **Sep. 3, 2004**

(51) **LOC (8) Cl.** **14-03**

(52) **U.S. Cl.** **D14/143; D21/548; D26/38**

(58) **Field of Classification Search** D14/137,
D14/138, 143, 144, 147, 148, 149, 150, 218,
D14/250; D13/168; 379/428.01, 428.02,
379/433.04, 433.07, 433.11, 434, 451, 452;
D26/32, 37, 38, 47, 51, 52, 57, 94, 97
See application file for complete search history.

(56) **References Cited**

U.S. PATENT DOCUMENTS

D152,390 S	*	1/1949	Brenner	D26/97
3,305,966 A		2/1967	Thornell		
D291,570 S		8/1987	Basch		
D303,260 S	*	9/1989	Gobindram	D14/143
D305,758 S		1/1990	Wilson		
D316,091 S		4/1991	Gobindram		
D324,216 S		2/1992	Gobindram		
D324,384 S		3/1992	Gobindram		
D339,340 S	*	9/1993	Gobindram	D14/143
D349,632 S	*	8/1994	Nicholson et al.	D7/613
D374,293 S	*	10/1996	Streger et al.	D26/25
D390,433 S	*	2/1998	Miller	D8/38
D408,456 S	*	4/1999	Garner	D19/90
D411,319 S	*	6/1999	Baker	D26/25
D417,769 S	*	12/1999	Cauthen	D2/869
D421,933 S	*	3/2000	Bender	D12/88
D423,016 S	*	4/2000	Fletcher	D14/250
D423,401 S	*	4/2000	Wolford	D11/131.1
D427,699 S	*	7/2000	Fai	D26/47
D428,874 S	*	8/2000	White	D14/207

D429,870 S	*	8/2000	Venditto, Jr.	D2/869
D432,302 S	*	10/2000	Chen	D3/271.12
D436,712 S	*	1/2001	Smith	D1/113
D437,309 S	*	2/2001	Brennan	D14/218
D440,026 S	*	4/2001	Barney	D99/30
D442,818 S	*	5/2001	Cragg	D7/334
D460,791 S	*	7/2002	McBride	D21/533
D462,432 S	*	9/2002	Robson	D23/367
D480,461 S	*	10/2003	Stone et al.	D23/367
D496,914 S	*	10/2004	Miali	D13/168
D504,410 S	*	4/2005	Lam	D14/168
D506,036 S	*	6/2005	Mitchell et al.	D28/49

OTHER PUBLICATIONS

“NASCAR Tony Stewart Phone”, 2 pp including photos, [online], <URL:www.1-noveltyphones.com/product_info.php/cPath/10/products_id/118/Vehicle-Phones/NASCAR-Tony-Stewart-Phone/>, site visited Mar. 17, 2006.*

“1967 Shelby Mustang GT-500 Phone—RED”, 2 pp including photos, [online], <URL:www.1noveltyphones.com/product_info.php/cPath/10/products_id/451/Vehicle-Phones/1967-Shelby-Mustang-GT-500-Phone—RED/>, site visited Mar. 17, 2006.*

* cited by examiner

Primary Examiner—Jeffrey Asch
Assistant Examiner—Carla Jobe Wright

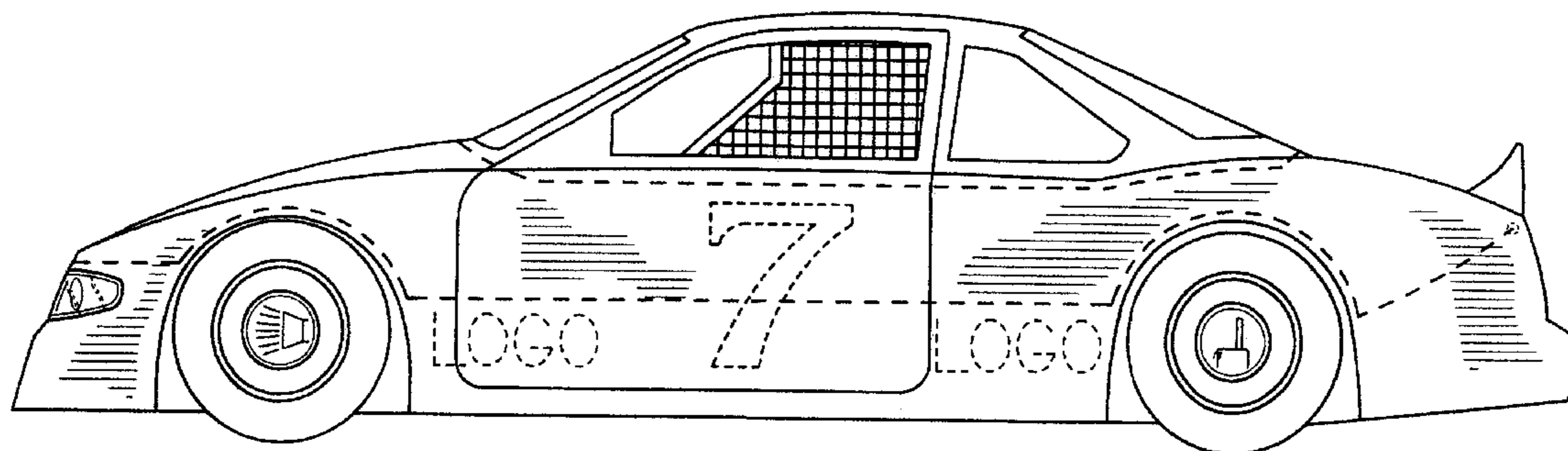
(57) **CLAIM**

The ornamental design for a car shaped cell phone and flashlight, as shown.

DESCRIPTION

FIG. 1 is a left side view showing my design;
FIG. 2 is a right side view showing my design;
FIG. 3 is a front view thereof;
FIG. 4 is a rear view thereof;
FIG. 5 is a top view thereof; and,
FIG. 6 is a bottom view.

1 Claim, 5 Drawing Sheets



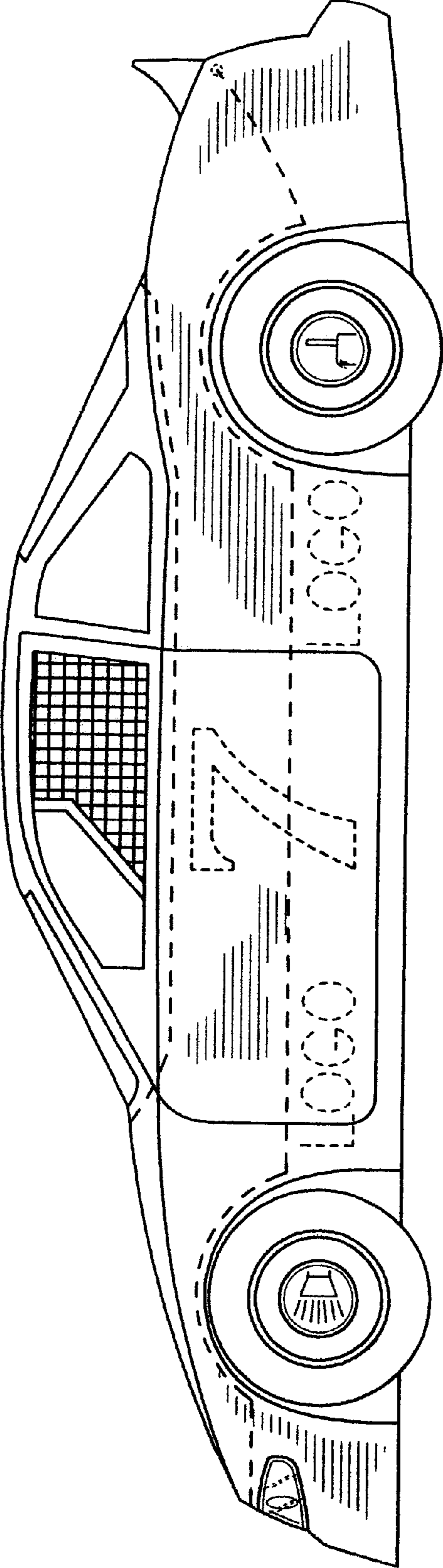


FIG.1

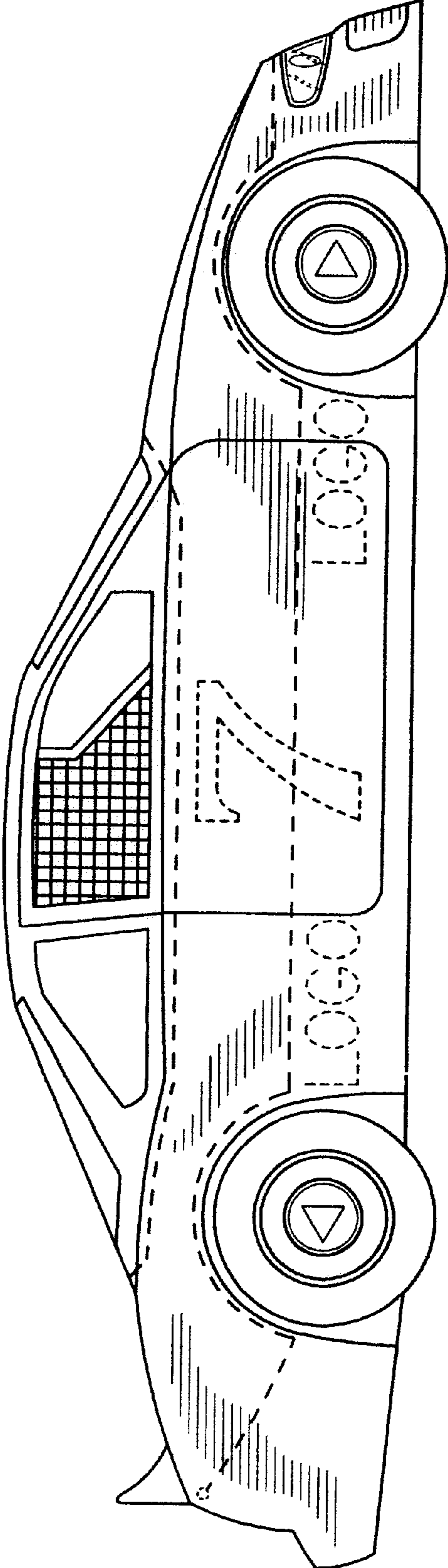


FIG.2

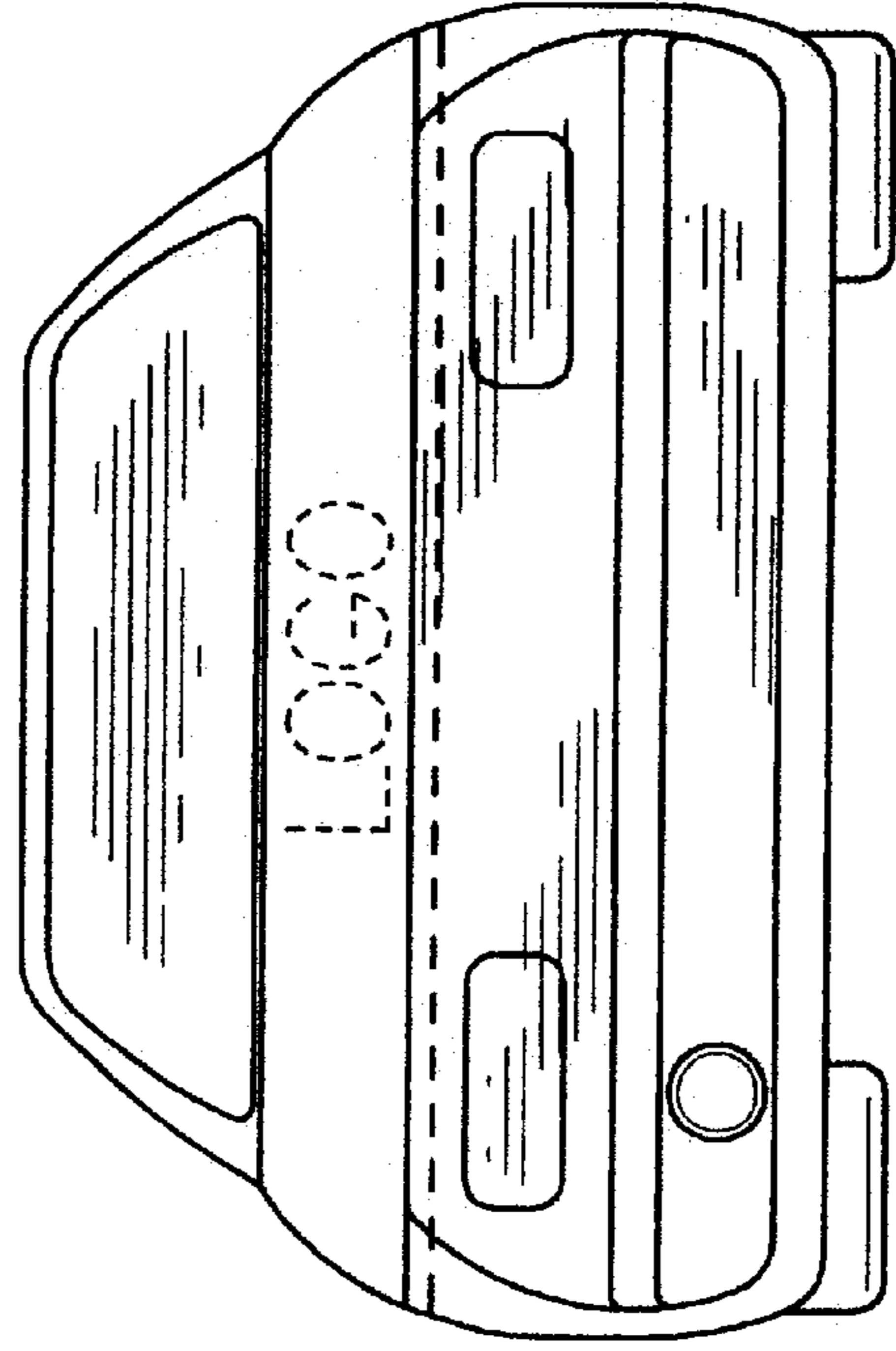


FIG.4

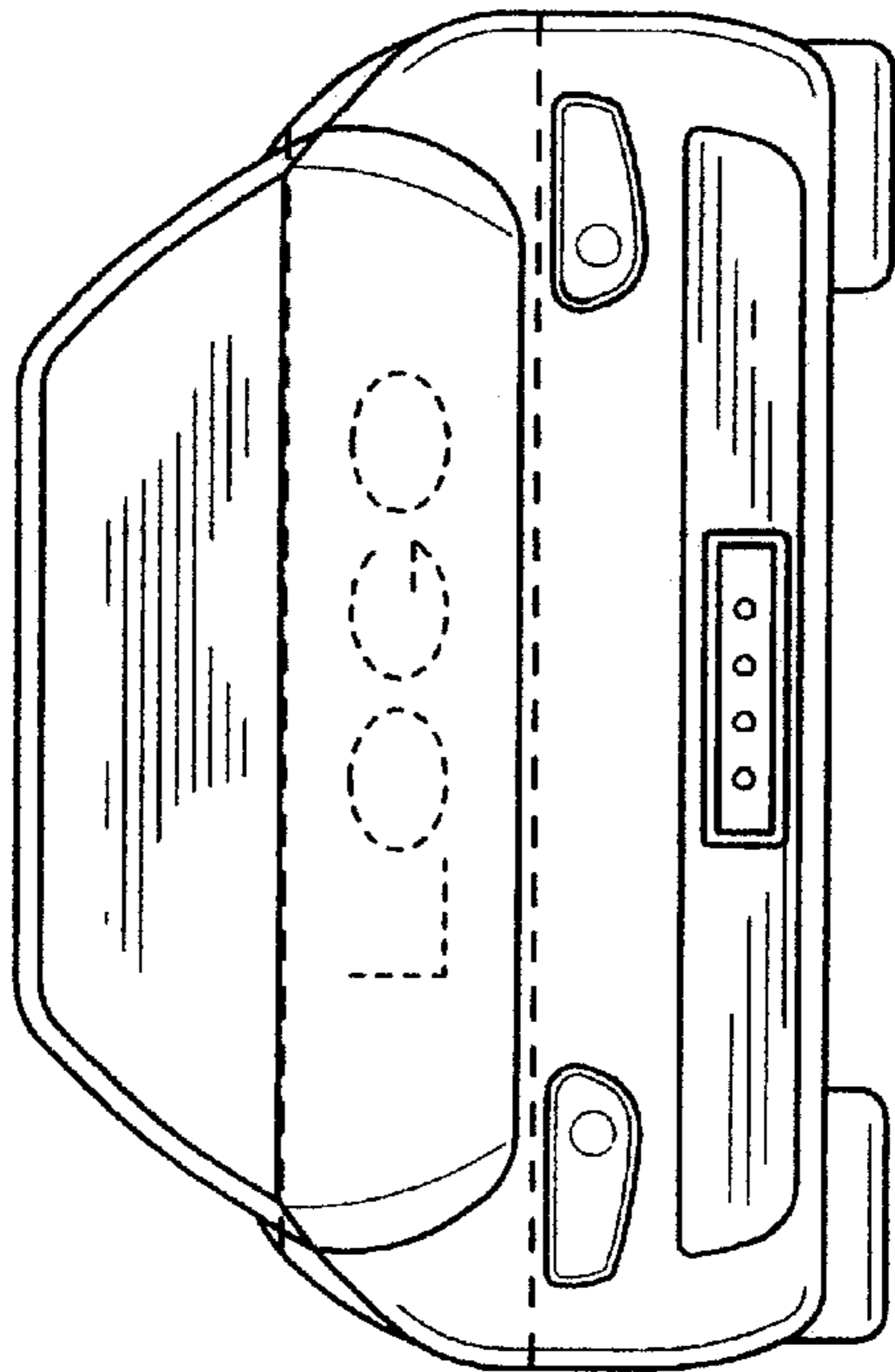


FIG.3

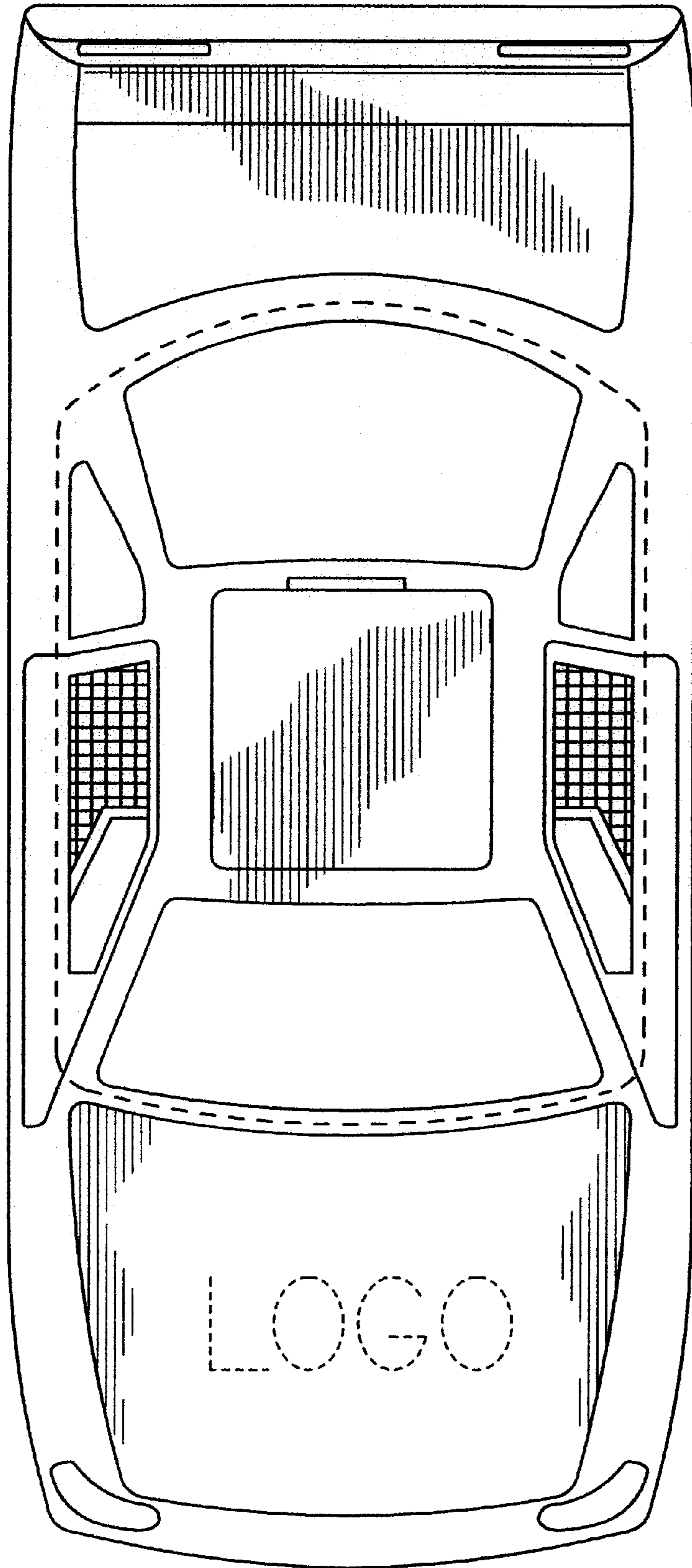


FIG.5

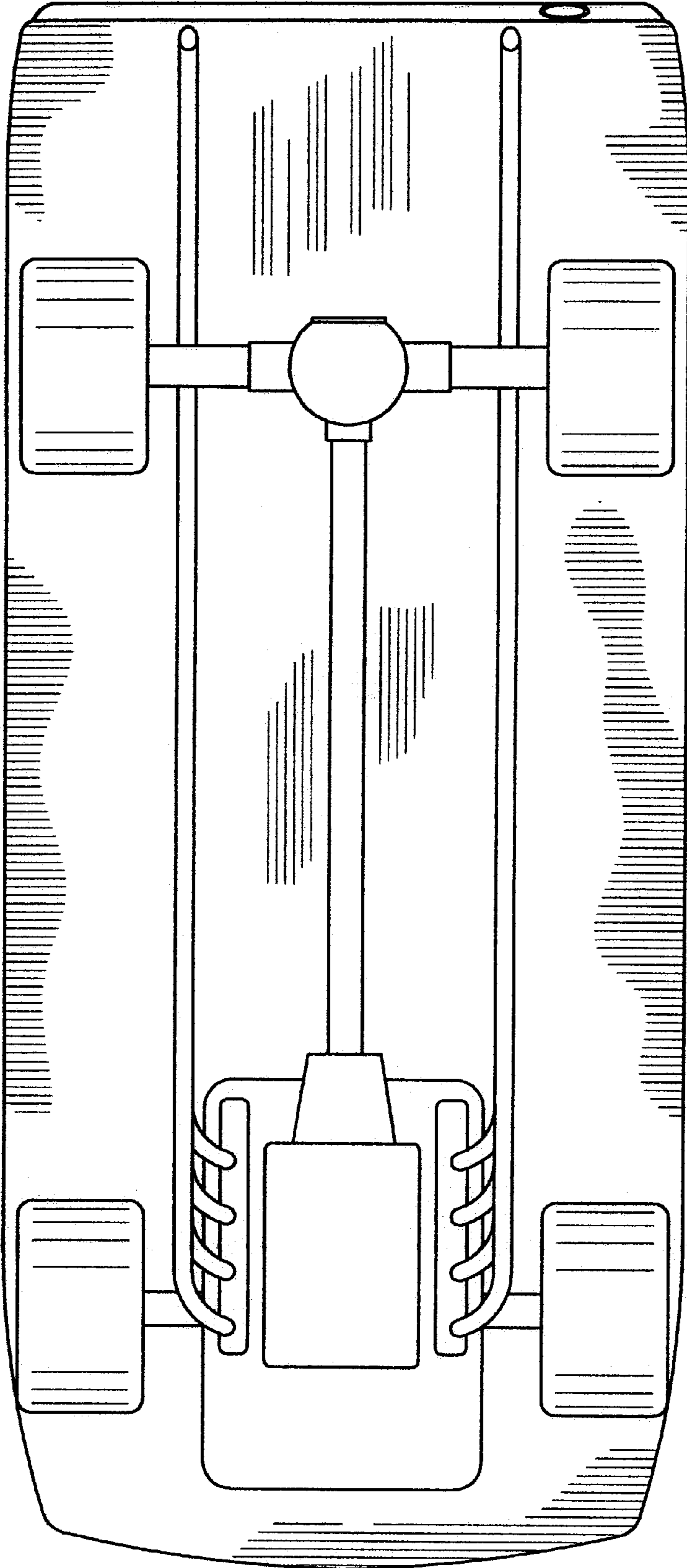


FIG.6