



US00D526636S

(12) **United States Design Patent**
Kim et al.

(10) **Patent No.:** **US D526,636 S**

(45) **Date of Patent:** **** Aug. 15, 2006**

(54) **CELLULAR PHONE**

(75) Inventors: **Nam Mi Kim**, Seoul (KR);
Changhwan Hwang, Goyang si (KR)

(73) Assignee: **Samsung Electronics Co., Ltd.** (KR)

(**) Term: **14 Years**

(21) Appl. No.: **29/222,278**

(22) Filed: **Jan. 27, 2005**

(51) **LOC (8) Cl.** **14-03**

(52) **U.S. Cl.** **D14/138**

(58) **Field of Classification Search** D14/137,
D14/138, 147-148, 247-248, 144, 218, 341-347;
379/433.01-433.13, 434; D13/168; D21/517;
455/556.1, 556.2, 566, 575.1, 90.3

See application file for complete search history.

(56) **References Cited**

U.S. PATENT DOCUMENTS

D448,744 S	*	10/2001	Yu et al.	D14/138
D479,216 S	*	9/2003	Ho-Cheun et al.	D14/138
D480,057 S	*	9/2003	Ho-Cheun et al.	D14/138
D483,022 S	*	12/2003	Lehtonen	D14/138
D487,069 S	*	2/2004	Thaler et al.	D14/138
D488,789 S	*	4/2004	Lee	D14/138
D491,543 S	*	6/2004	Chang et al.	D14/138
D492,276 S	*	6/2004	Walliser et al.	D14/138
D496,642 S	*	9/2004	Harries et al.	D14/138
D496,921 S	*	10/2004	Hwang	D14/138
D497,160 S	*	10/2004	Nagao et al.	D14/346
D500,992 S	*	1/2005	Shen et al.	D14/138
D502,933 S	*	3/2005	Munstermann	D14/138
D503,163 S	*	3/2005	Chan et al.	D14/138
D505,932 S	*	6/2005	Eckholm et al.	D14/138
D508,240 S	*	8/2005	Lee et al.	D14/138
D508,688 S	*	8/2005	Lee et al.	D14/138
D508,902 S	*	8/2005	Lee et al.	D14/138

2004/0180703 A1	*	9/2004	Kim et al.	455/575.1
2005/0014537 A1	*	1/2005	Gammon et al.	455/575.1
2005/0020327 A1	*	1/2005	Chung et al.	455/575.3
2005/0054397 A1	*	3/2005	Kim et al.	455/575.4
2005/0233785 A1	*	10/2005	Park et al.	455/575.4
2005/0245295 A1	*	11/2005	Lee et al.	455/575.1
2005/0245297 A1	*	11/2005	Lee et al.	455/575.4
2005/0277388 A1	*	12/2005	Kim et al.	455/90.3

FOREIGN PATENT DOCUMENTS

WO	DM/066599	*	4/2005
WO	DM/067035	*	8/2005
WO	DM/067110	*	9/2005

* cited by examiner

Primary Examiner—Jeffrey Asch

(74) *Attorney, Agent, or Firm*—Irving Keschner

(57) **CLAIM**

The ornamental design for cellular phone, as shown.

DESCRIPTION

FIG. 1 is a perspective view of the ornamental design of the present invention;
 FIG. 2 is a front elevational view of the ornamental design of the present invention;
 FIG. 3 is a rear elevational view of the ornamental design of the present invention;
 FIG. 4 is a left side elevational view of the ornamental design of the present invention;
 FIG. 5 is a right side elevational view of the ornamental design of the present invention;
 FIG. 6 is a top plan view of the ornamental design of the present invention;
 FIG. 7 is a bottom view of the ornamental design of the present invention; and,
 FIG. 8 is a view of the cellular phone of the present invention in the open position.

1 Claim, 4 Drawing Sheets

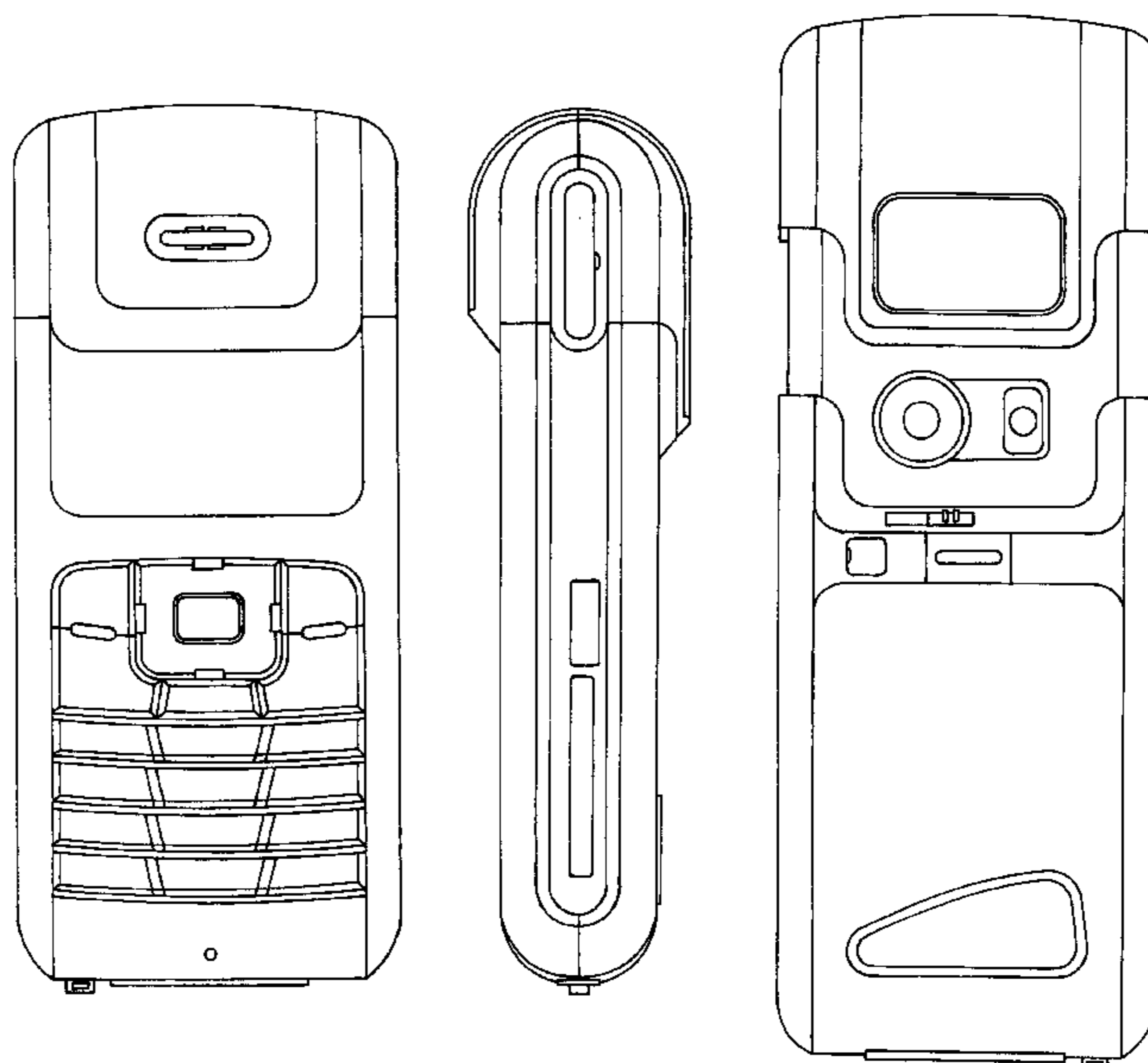


FIG. 1

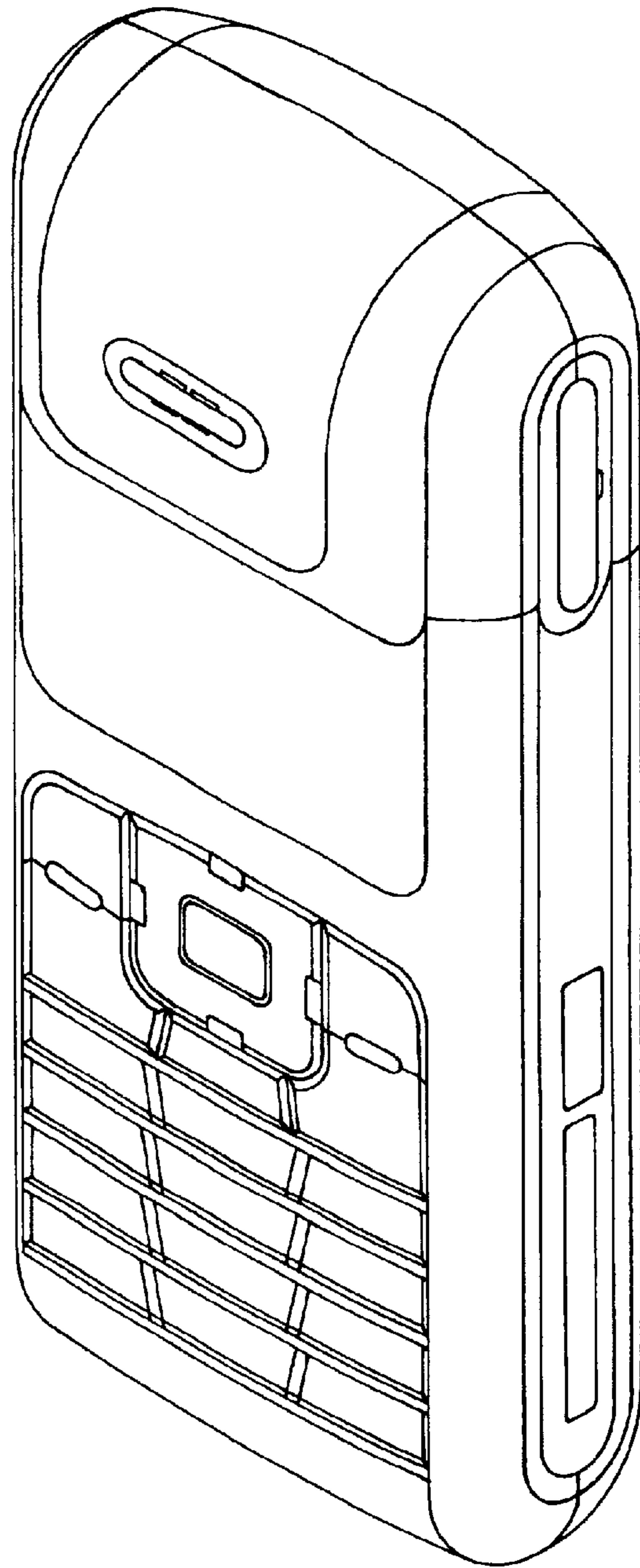


FIG. 2

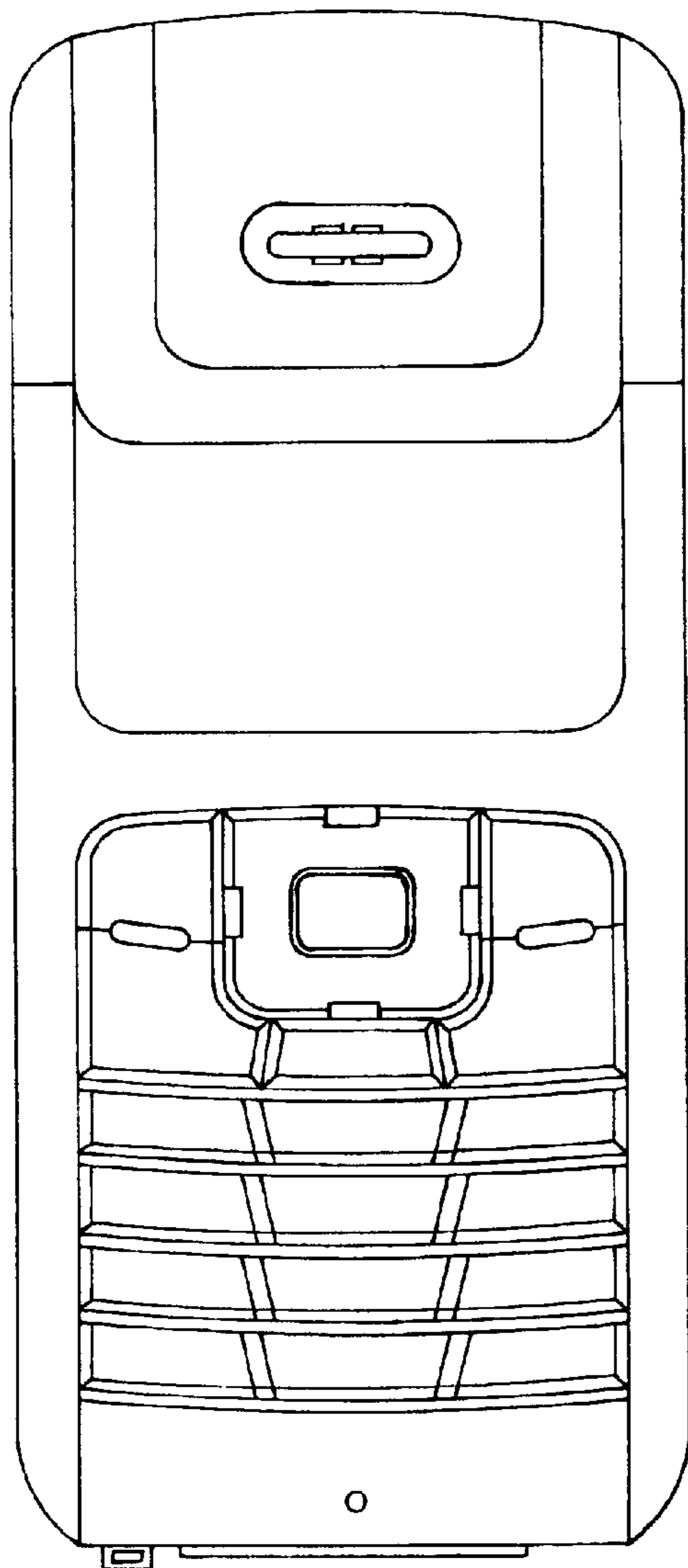


FIG. 3

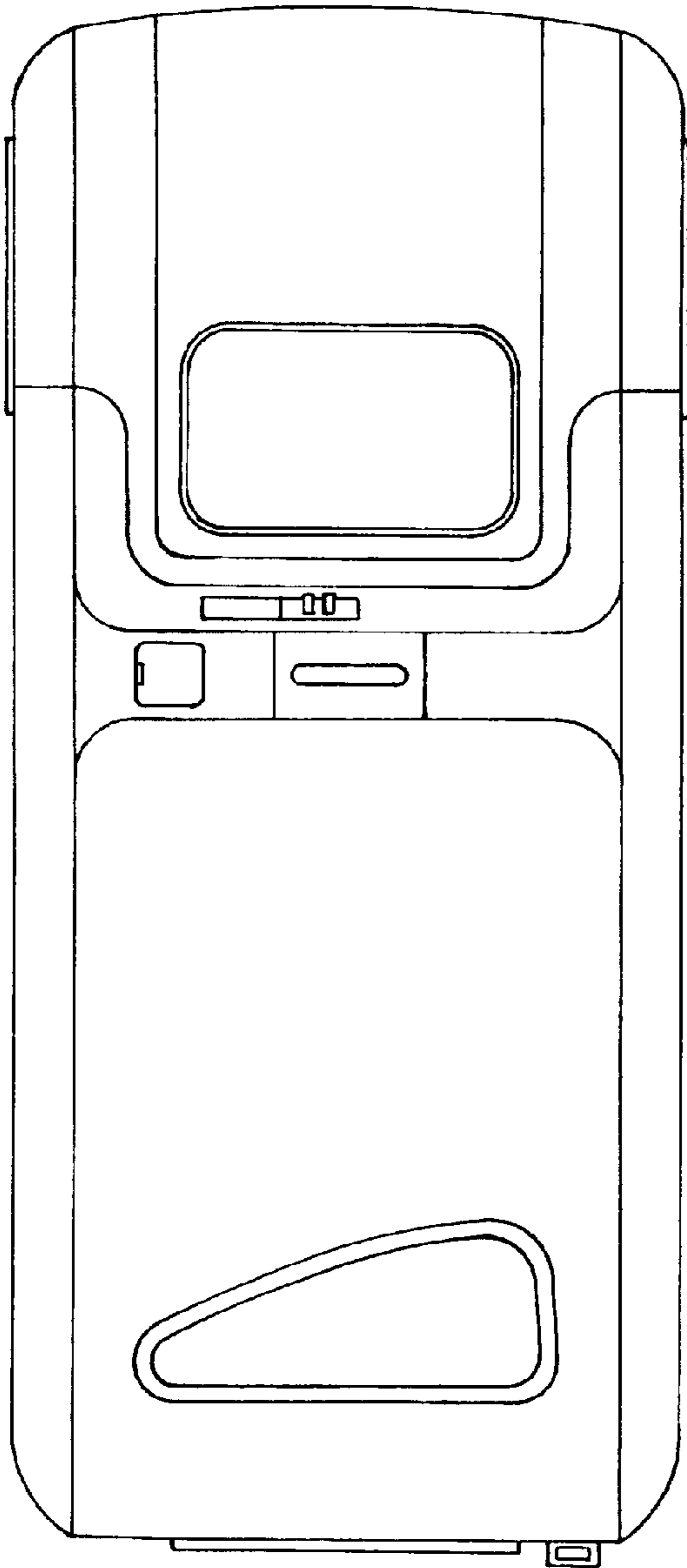


FIG. 4

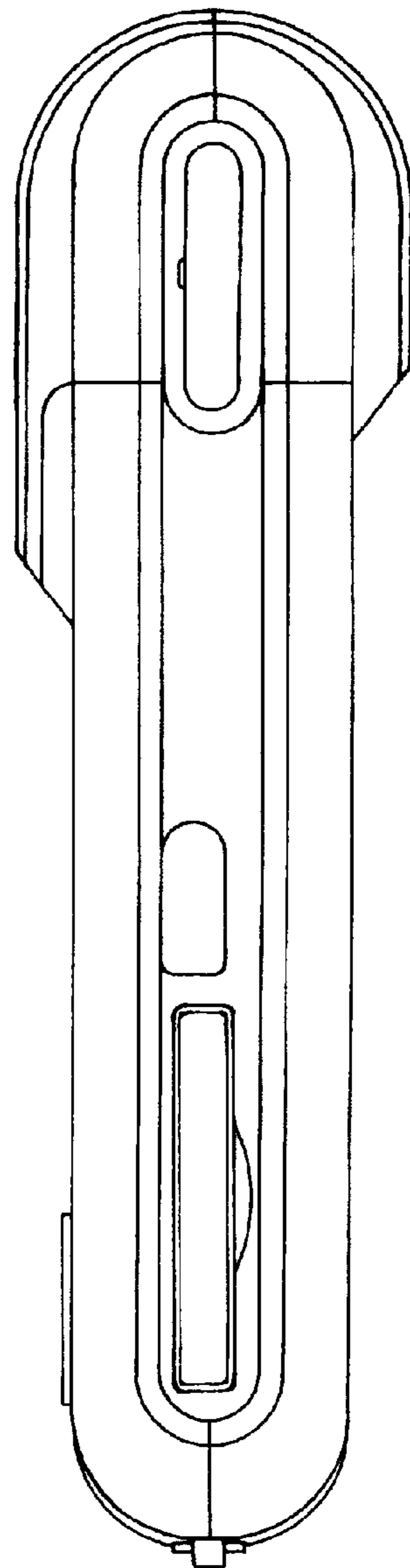


FIG. 5

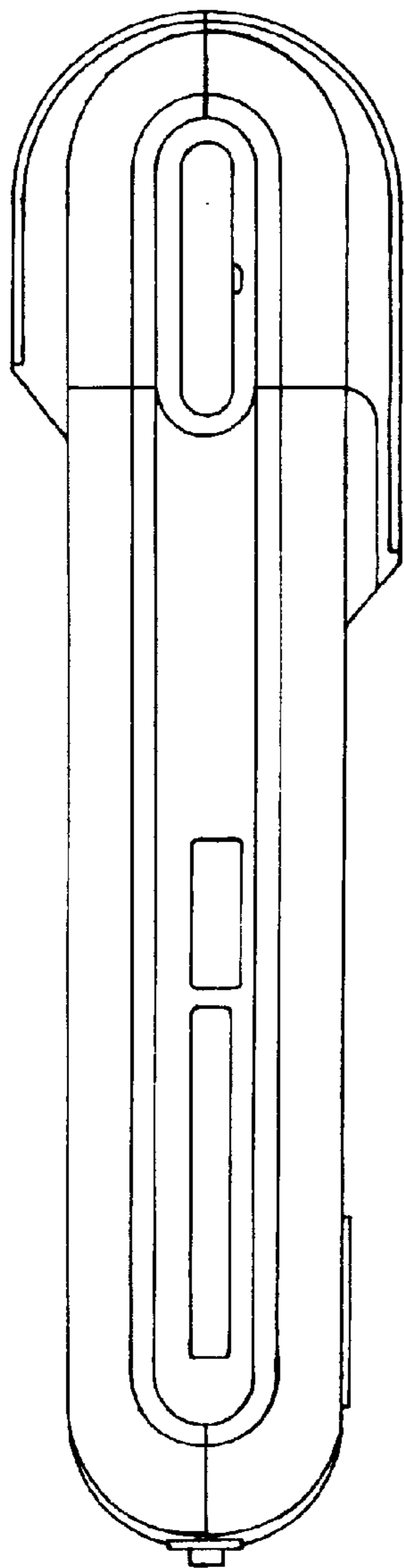


FIG. 6

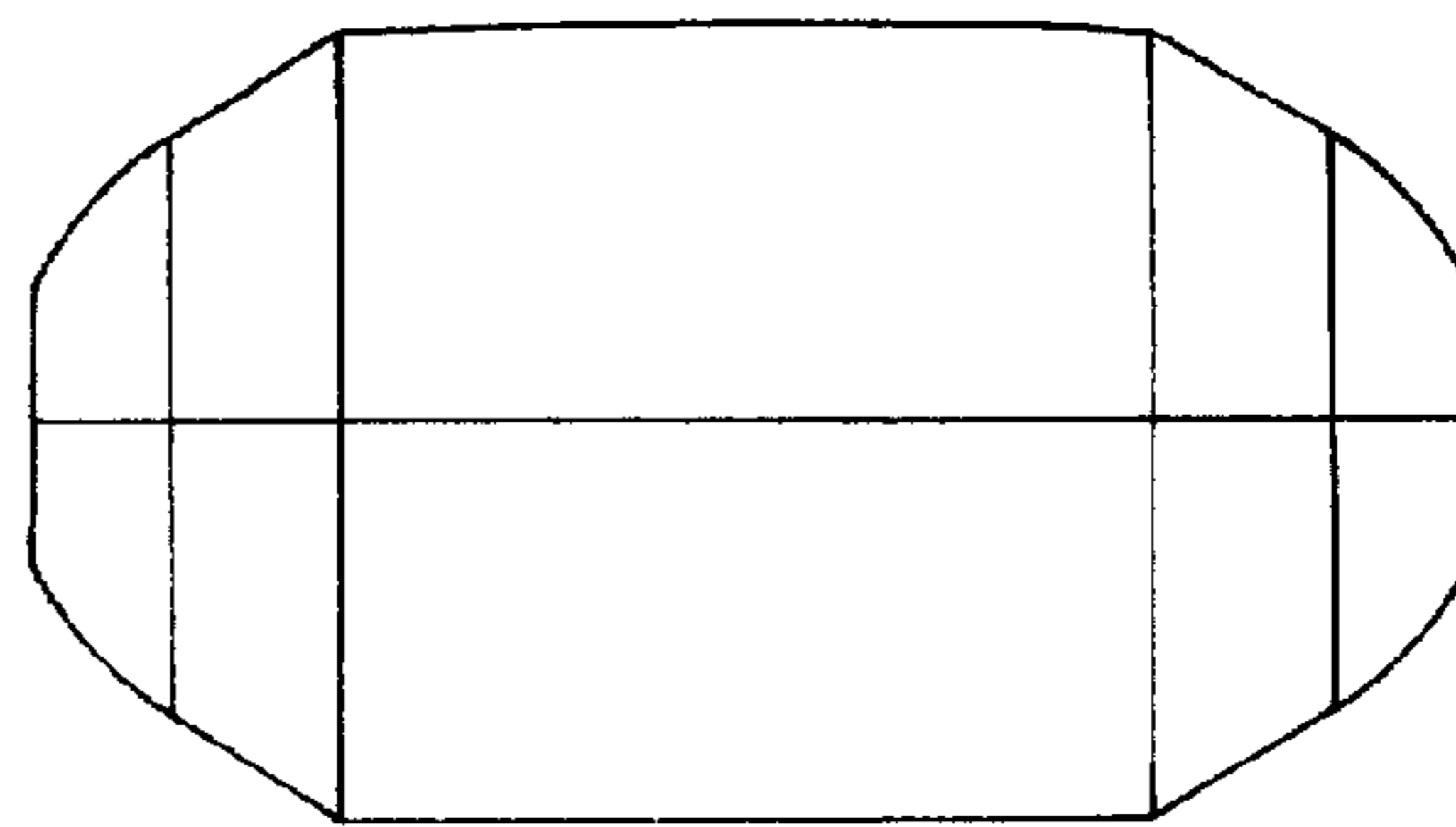


FIG. 7

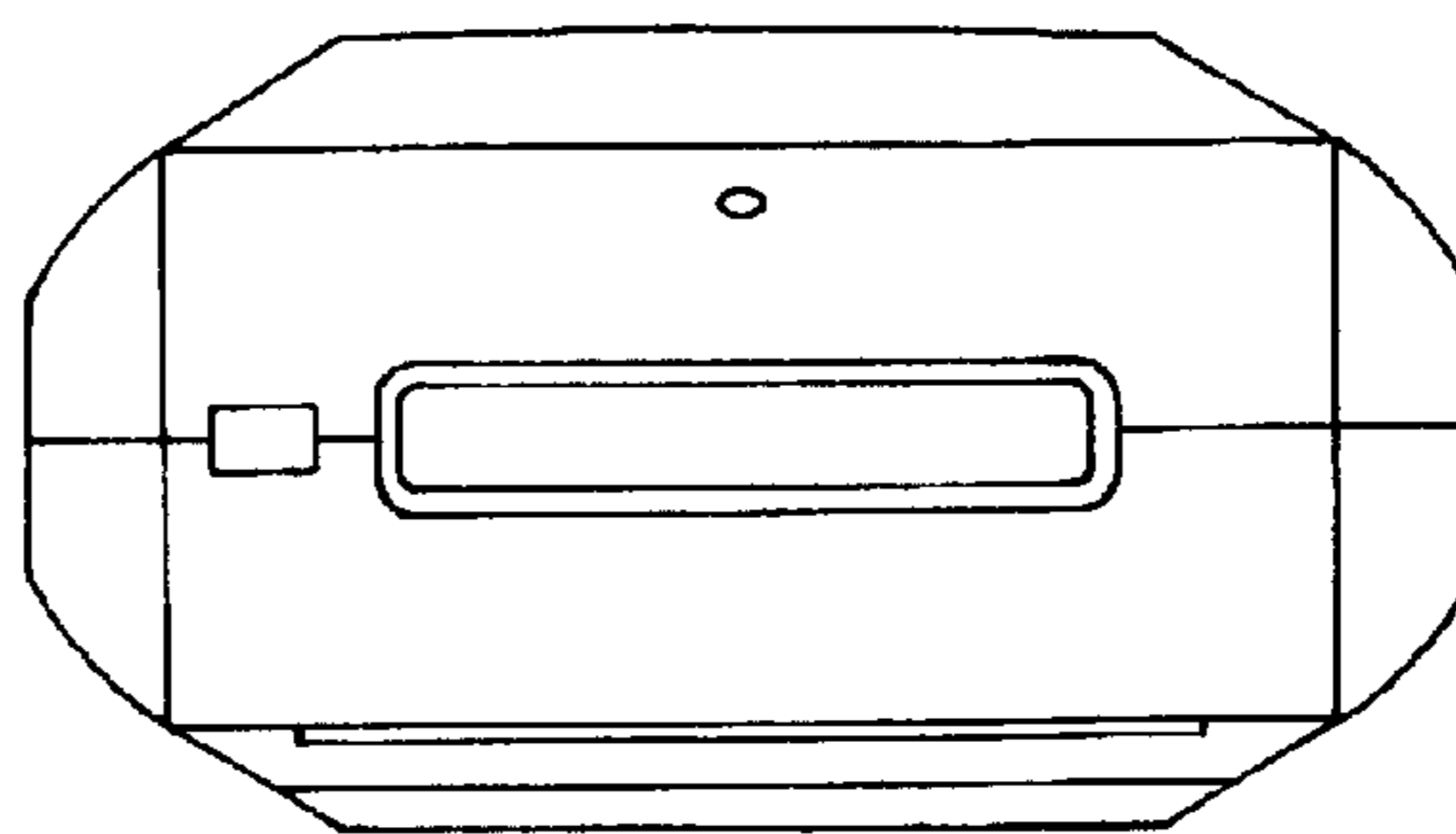


FIG. 8

