



US00D526626S

(12) **United States Design Patent**
Imboden et al.

(10) **Patent No.:** **US D526,626 S**

(45) **Date of Patent:** **** Aug. 15, 2006**

(54) **TELEVISION SET**

(75) Inventors: **Ethan Imboden**, Sunnyvale, CA (US);
John Brock, Sunnyvale, CA (US)

(73) Assignee: **Hannspree, Inc.**, Taipei (TW)

(**) Term: **14 Years**

(21) Appl. No.: **29/230,653**

(22) Filed: **May 25, 2005**

(30) **Foreign Application Priority Data**

Dec. 15, 2004 (TW) 93307724

(51) **LOC (8) Cl.** **14-03**

(52) **U.S. Cl.** **D14/126**

(58) **Field of Classification Search** D14/125-134,
D14/239, 371, 136, 374-377; 312/7.2; 348/836,
348/838, 180, 184, 325, 739; 341/12; 248/917-924,
248/465; 345/104, 133, 156, 168, 87, 173;
720/605, 669, 600, 655; 369/99, 197; 455/344-347
See application file for complete search history.

(56) **References Cited**

U.S. PATENT DOCUMENTS

D224,346 S * 7/1972 Nakamura et al. D14/126
D247,748 S * 4/1978 Ebner et al. D14/376
D395,041 S * 6/1998 Leveridge et al. D14/373

D413,594 S * 9/1999 Renk D14/126
D439,225 S * 3/2001 Kita D14/126
D449,609 S * 10/2001 Jung D14/374
D449,610 S * 10/2001 Chen D14/374
D475,049 S * 5/2003 Duan D14/375
D478,080 S * 8/2003 Wu D14/374
D481,724 S * 11/2003 Olson et al. D14/371
D483,726 S * 12/2003 Teng et al. D14/129
D489,340 S * 5/2004 Honda D14/126
D489,342 S * 5/2004 Campbell et al. D14/130

* cited by examiner

Primary Examiner—Raphael Barkai

(74) *Attorney, Agent, or Firm*—Bacon & Thomas, PLLC

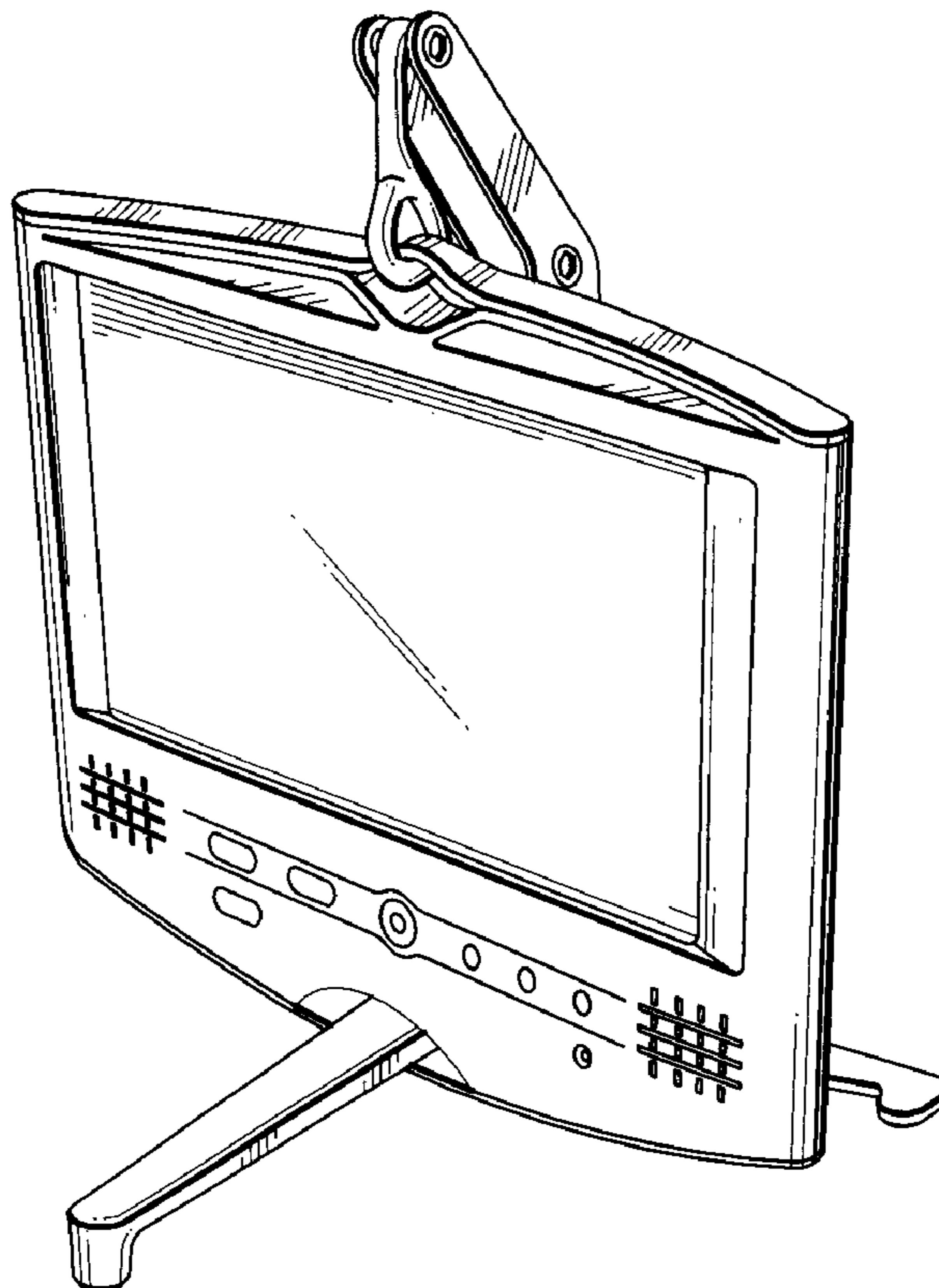
(57) **CLAIM**

The ornamental design for a television set, as shown and described.

DESCRIPTION

FIG. 1 is a perspective view of a television set showing our new design;
FIG. 2 is a front view thereof;
FIG. 3 is a rear view thereof;
FIG. 4 is a left side view thereof;
FIG. 5 is a right side view thereof;
FIG. 6 is a top plan view thereof; and,
FIG. 7 is a bottom plan view thereof.

1 Claim, 4 Drawing Sheets



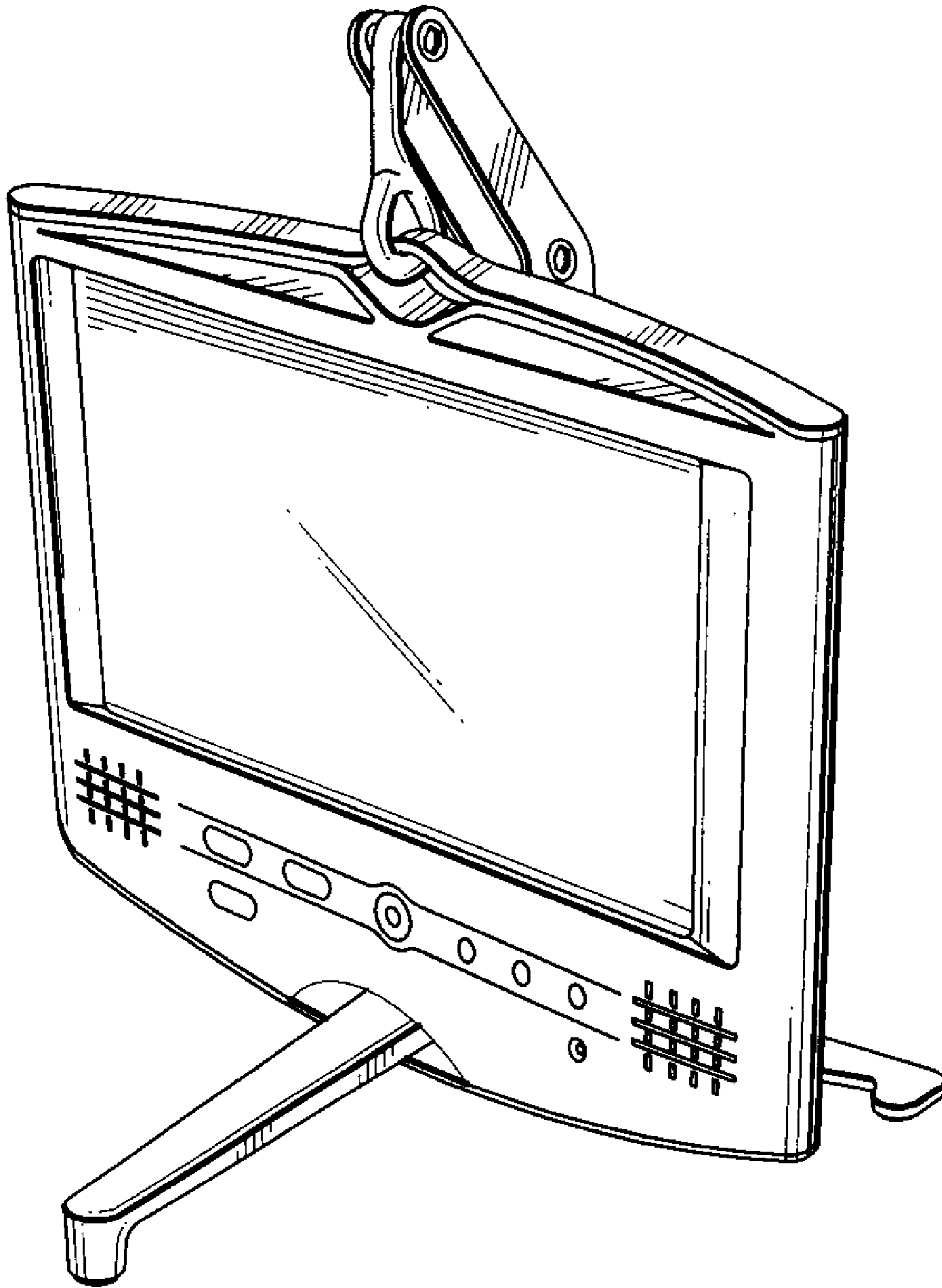


FIG. 1

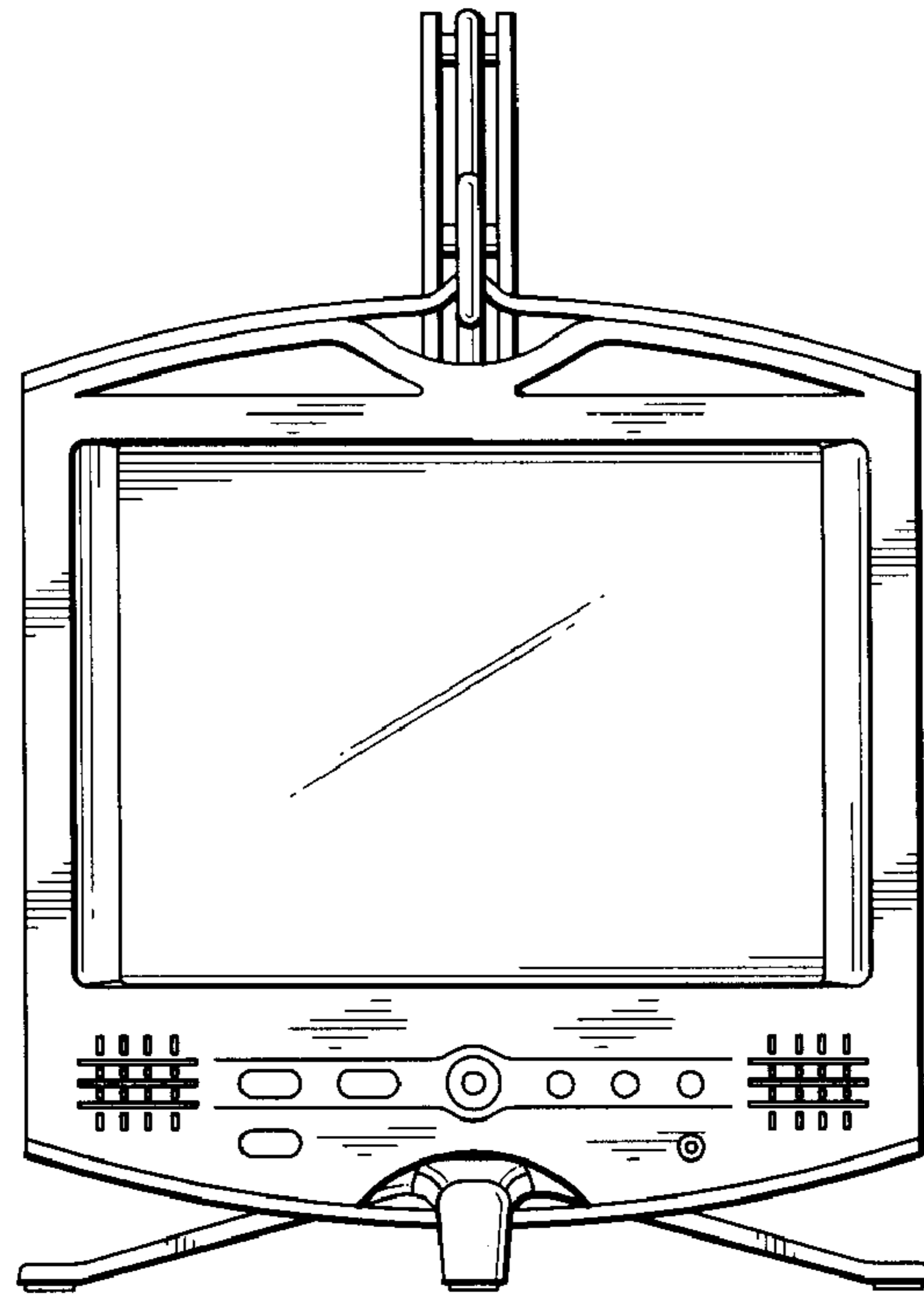


FIG. 2

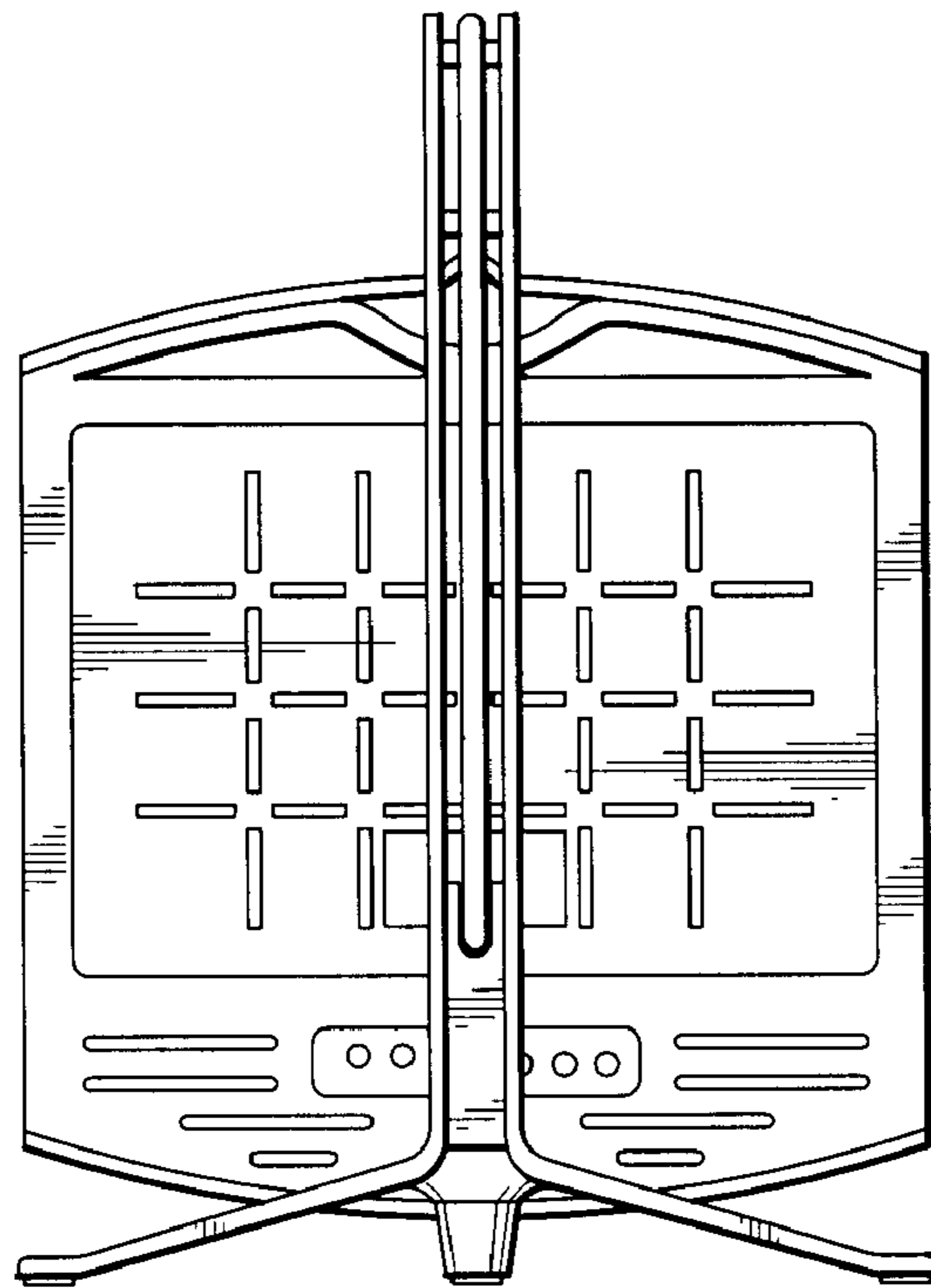


FIG. 3

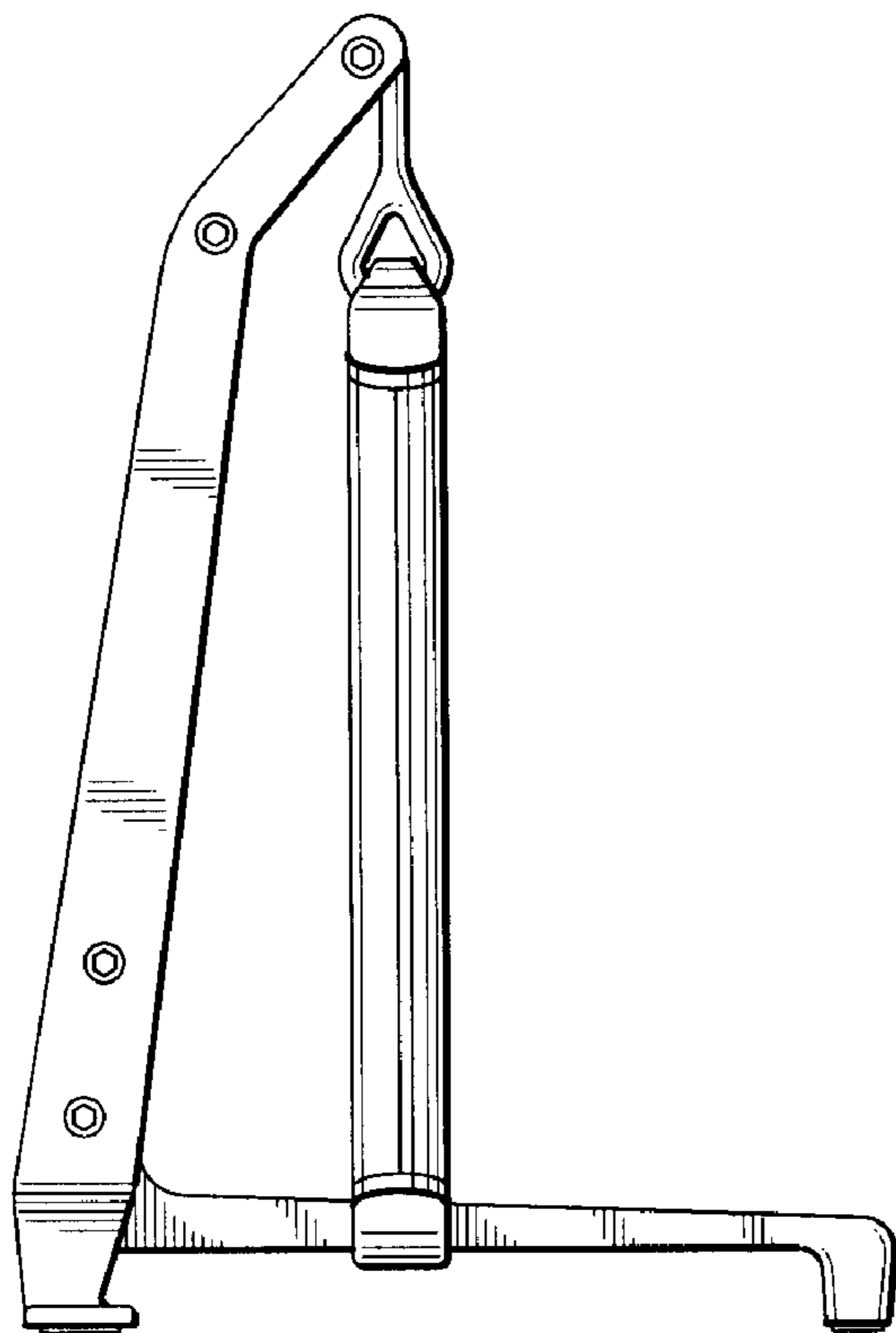


FIG. 4

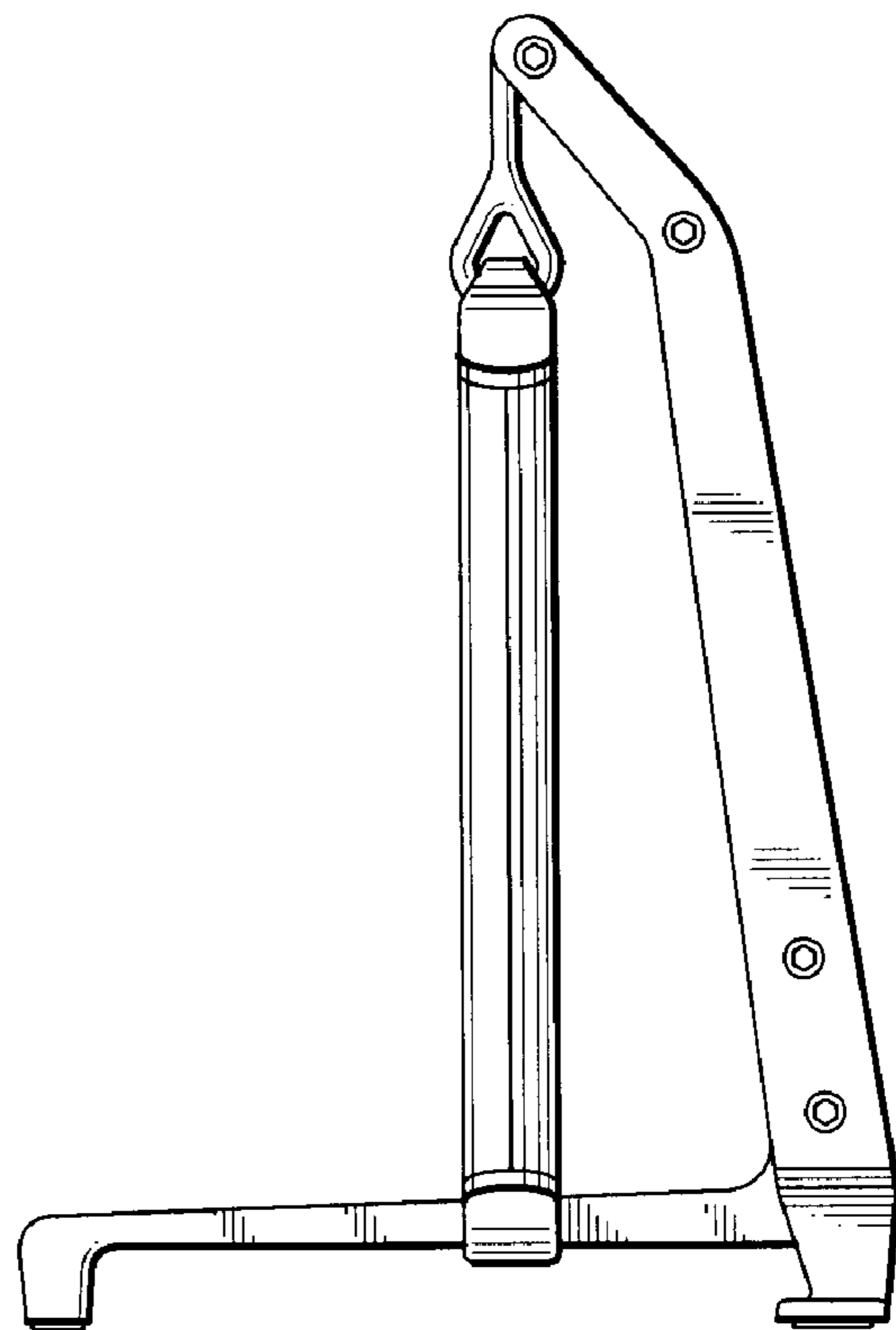


FIG. 5

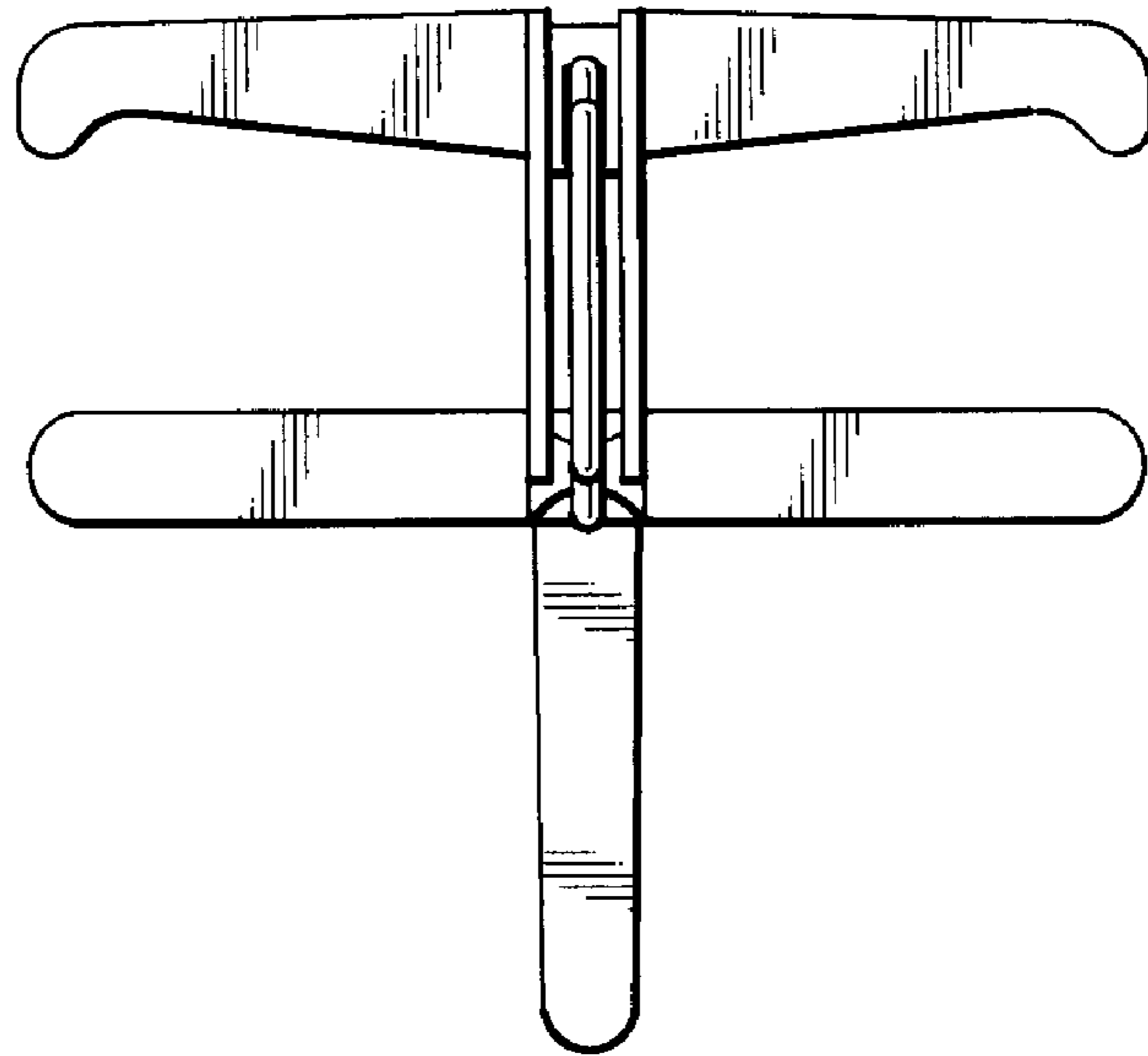


FIG. 6

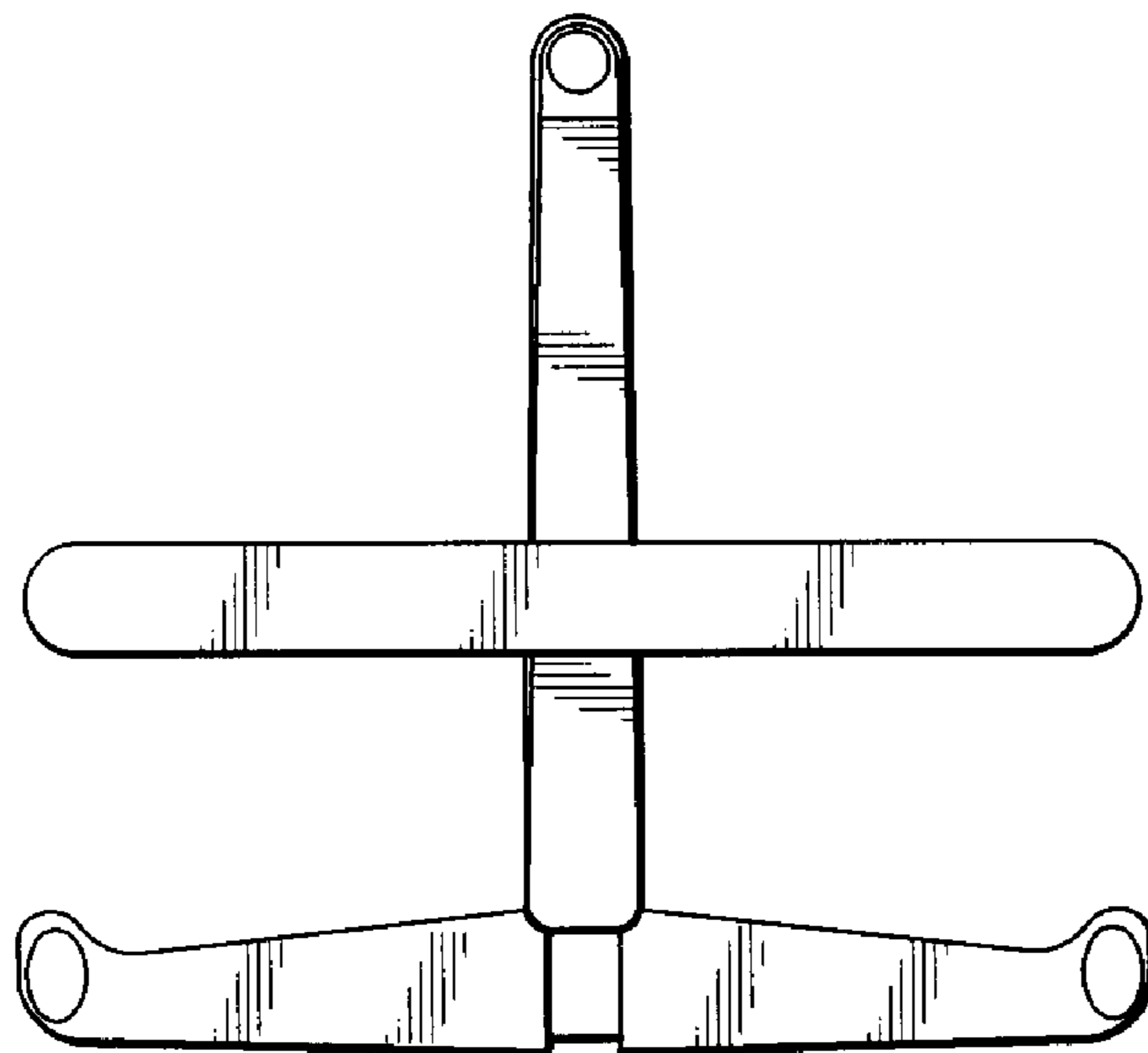


FIG. 7