

US00D526621S

(12) **United States Design Patent**  
**Shang Yen et al.**

(10) **Patent No.:** **US D526,621 S**  
(45) **Date of Patent:** **\*\* Aug. 15, 2006**

(54) **PLUG CONNECTOR**

6,974,353 B1 \* 12/2005 Liu et al. .... 439/680

(75) Inventors: **Huang Shang Yen**, Taipei (TW); **Yang Sheng Ho**, Taipei (TW)

\* cited by examiner

(73) Assignee: **Advanced-Connectek, Inc.**, Taipei (TW)

*Primary Examiner*—Stella Reid

*Assistant Examiner*—Daniel Bui

(\*\*) Term: **14 Years**

(74) *Attorney, Agent, or Firm*—Chauncey B. Johnson, Esq.; Johnson & Associates, PC

(21) Appl. No.: **29/239,999**

(57) **CLAIM**

(22) Filed: **Oct. 7, 2005**

The ornamental design for a plug connector, as shown and described.

(51) **LOC (8) Cl.** ..... **13-03**

**DESCRIPTION**

(52) **U.S. Cl.** ..... **D13/147**

(58) **Field of Classification Search** ..... D13/133,  
D13/146–147, 154, 184, 199; 439/76.1, 79,  
439/108, 607–610

See application file for complete search history.

FIG. 1 is a perspective view of a plug connector showing our new design;

FIG. 2 is a front view of the plug connector shown in FIG. 1;

FIG. 3 is a rear view of the plug connector shown in FIG. 1;

FIG. 4 is a left view of the plug connector shown in FIG. 1;

FIG. 5 is a right view of the plug connector shown in FIG. 1;

FIG. 6 is a top view of the plug connector shown in FIG. 1; and,

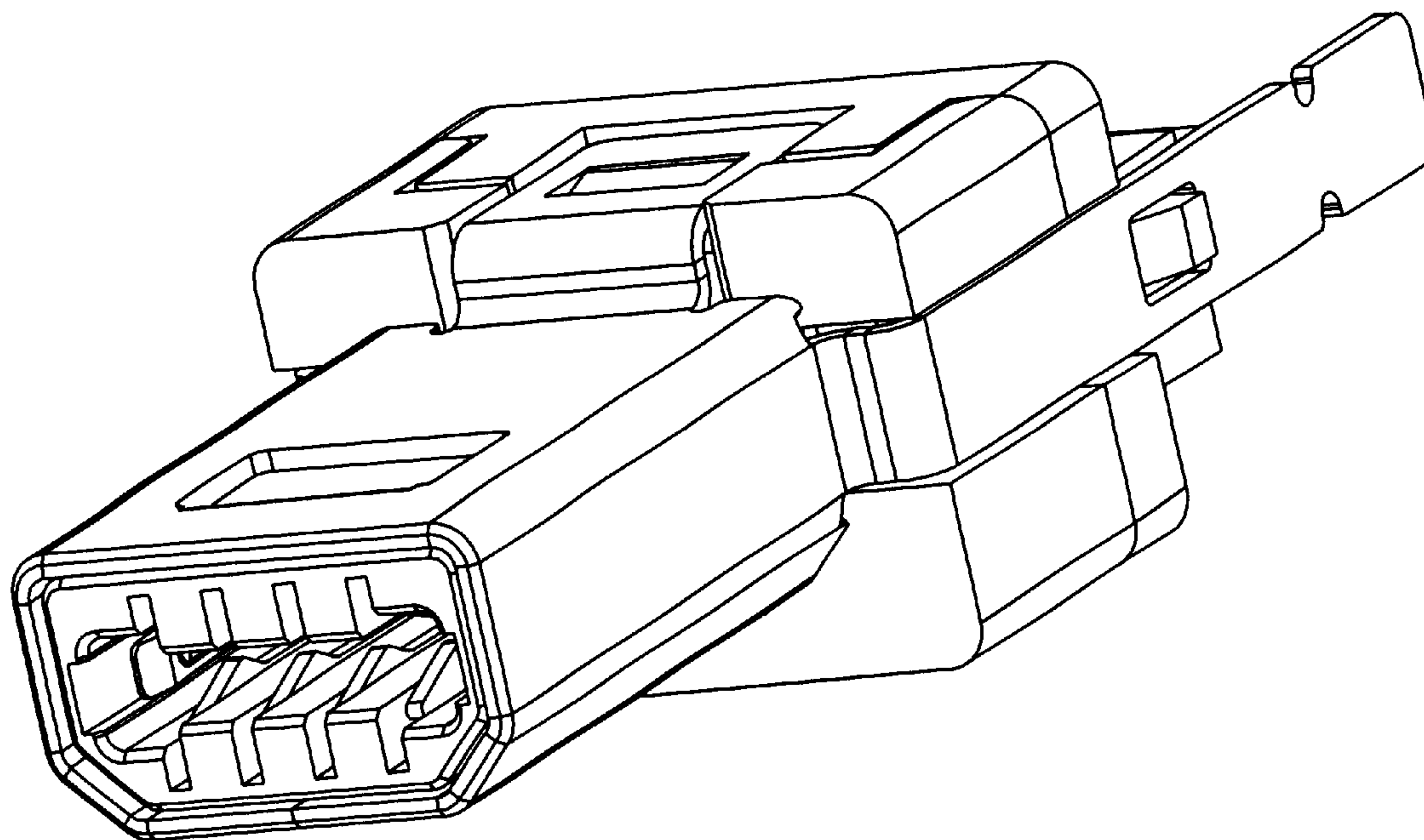
FIG. 7 is a bottom view of the plug connector shown in FIG. 1.

(56) **References Cited**

U.S. PATENT DOCUMENTS

D351,137 S	*	10/1994	Sato	.....	D13/147
D421,742 S	*	3/2000	Katoh	.....	D13/147
6,039,606 A	*	3/2000	Chiou	.....	439/610
6,116,937 A	*	9/2000	Pan	.....	439/352
D493,140 S	*	7/2004	Wu	.....	D13/133
D500,737 S	*	1/2005	Shao	.....	D13/147

**1 Claim, 4 Drawing Sheets**



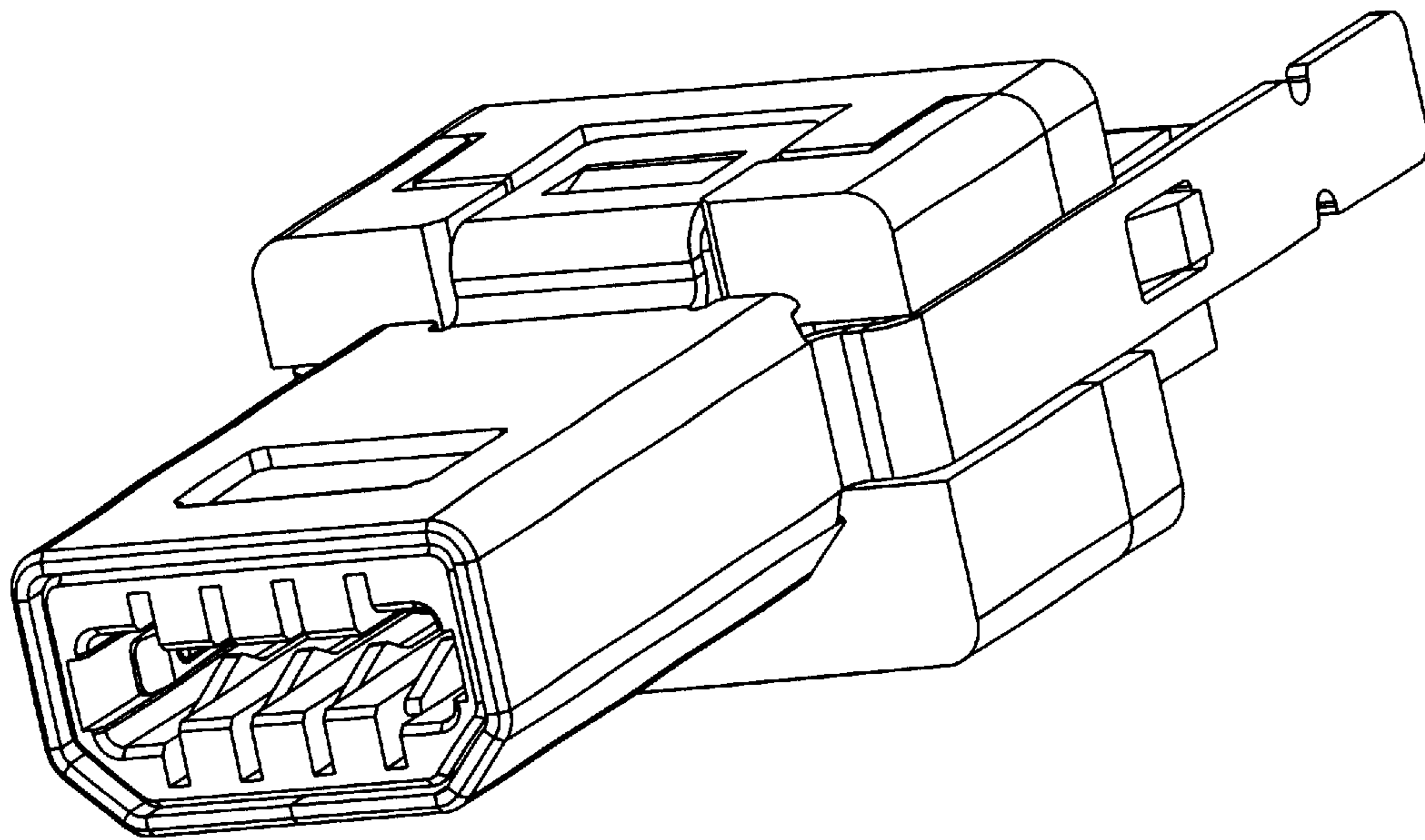


FIG.1

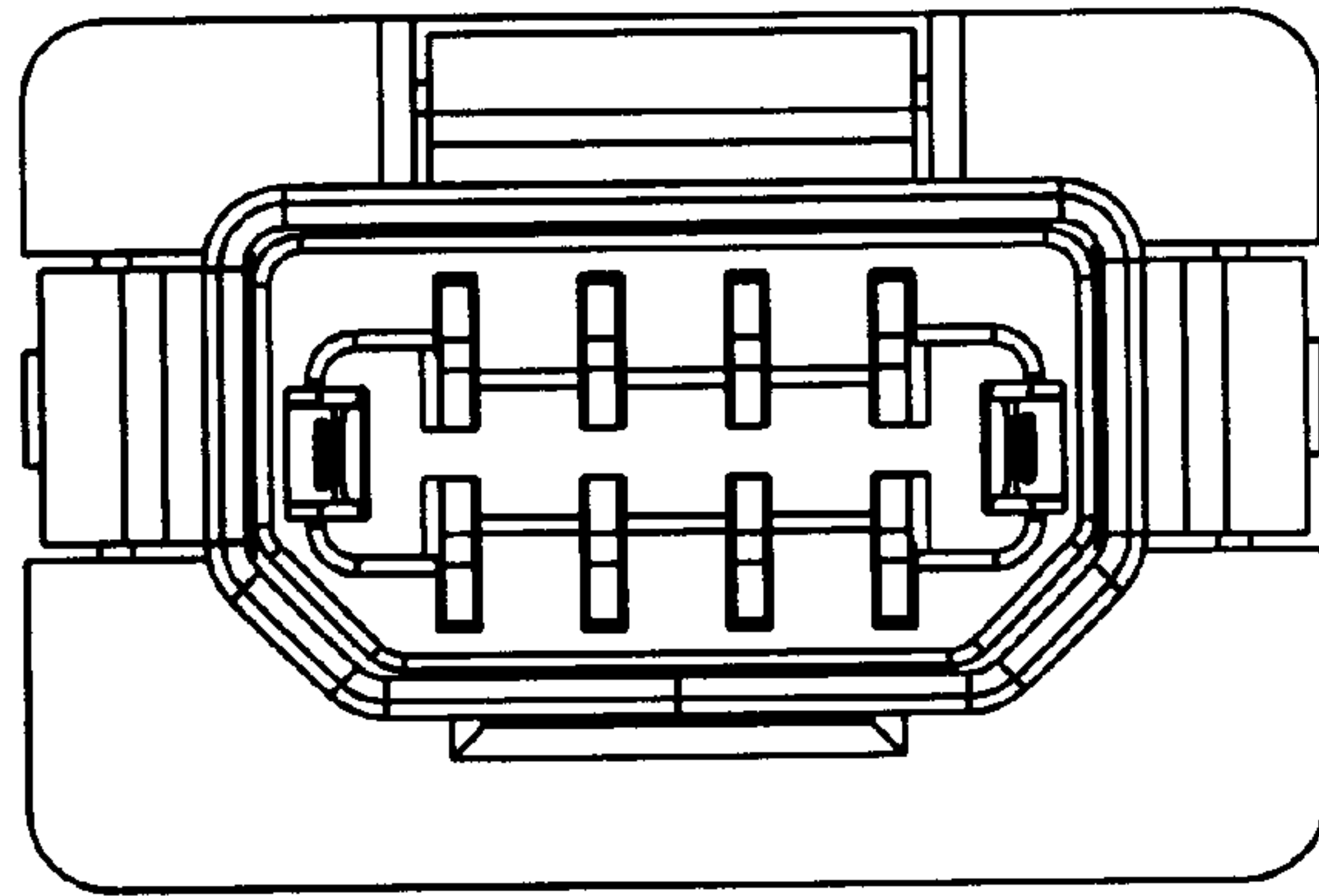


FIG. 2

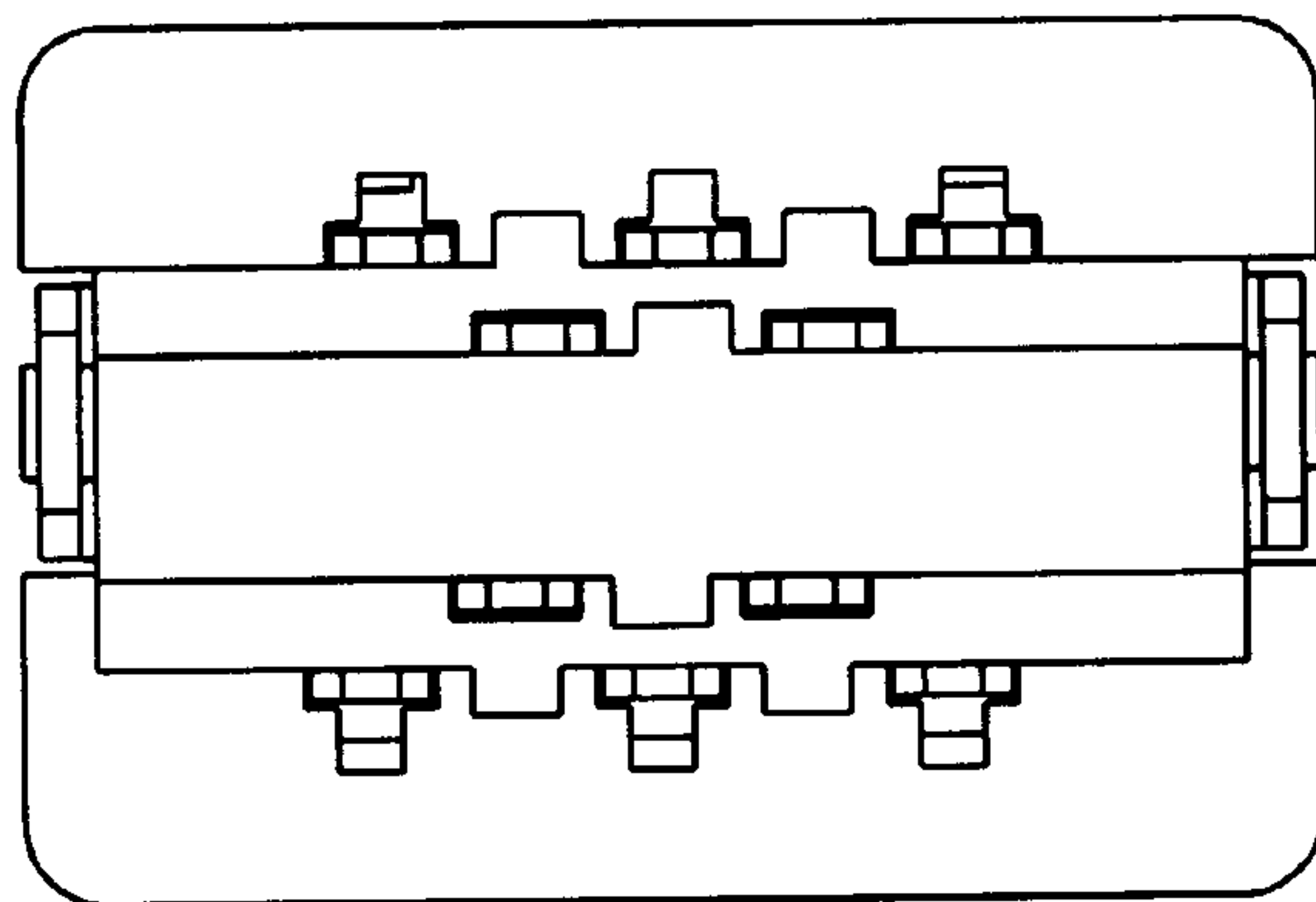


FIG. 3

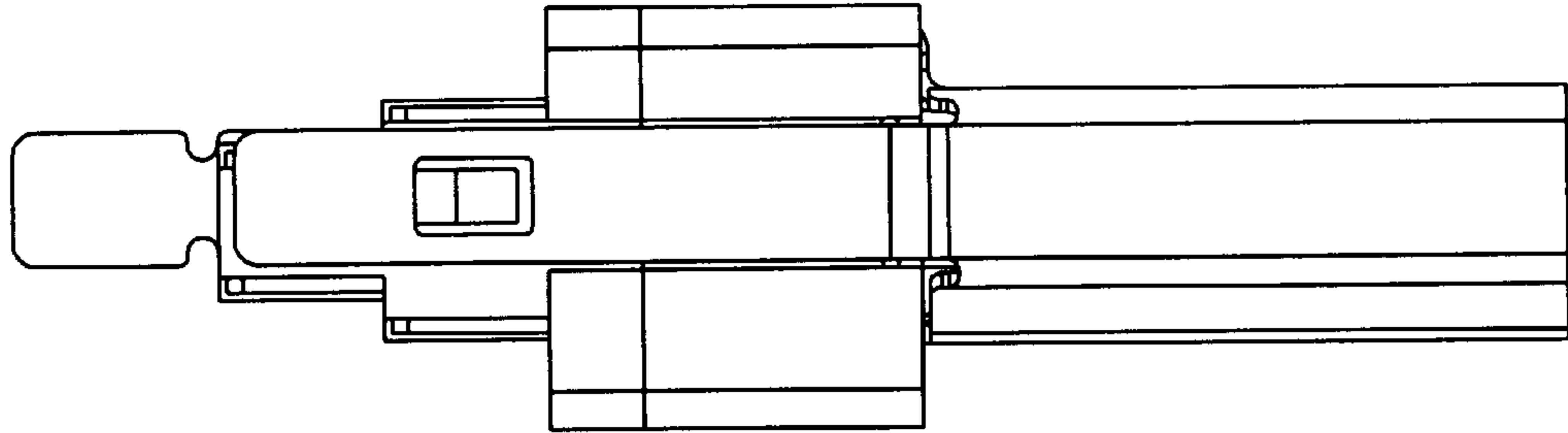


FIG.4

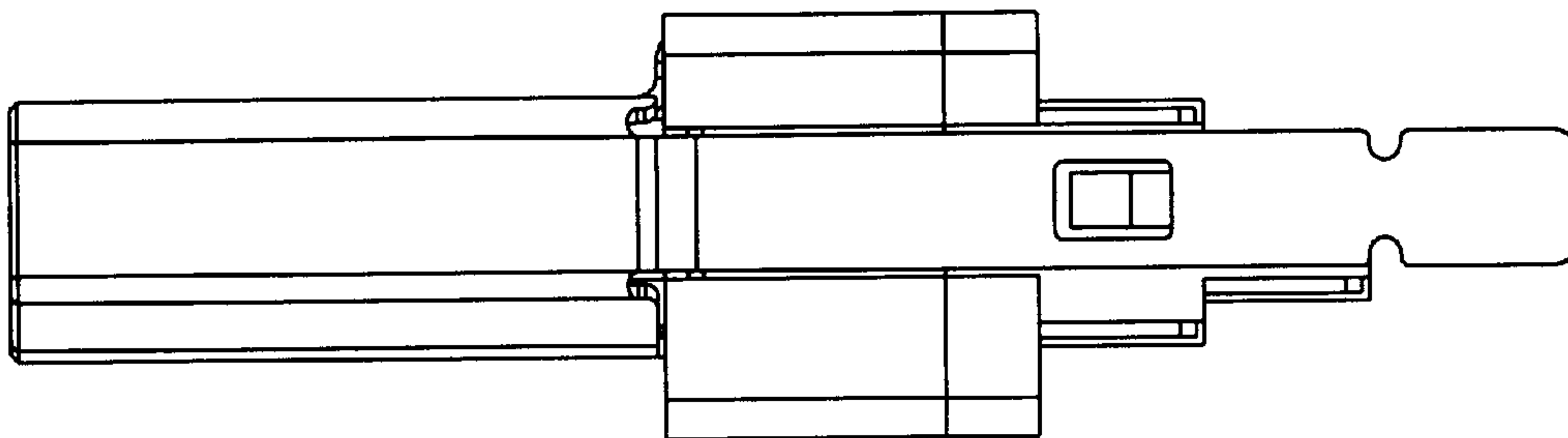


FIG.5

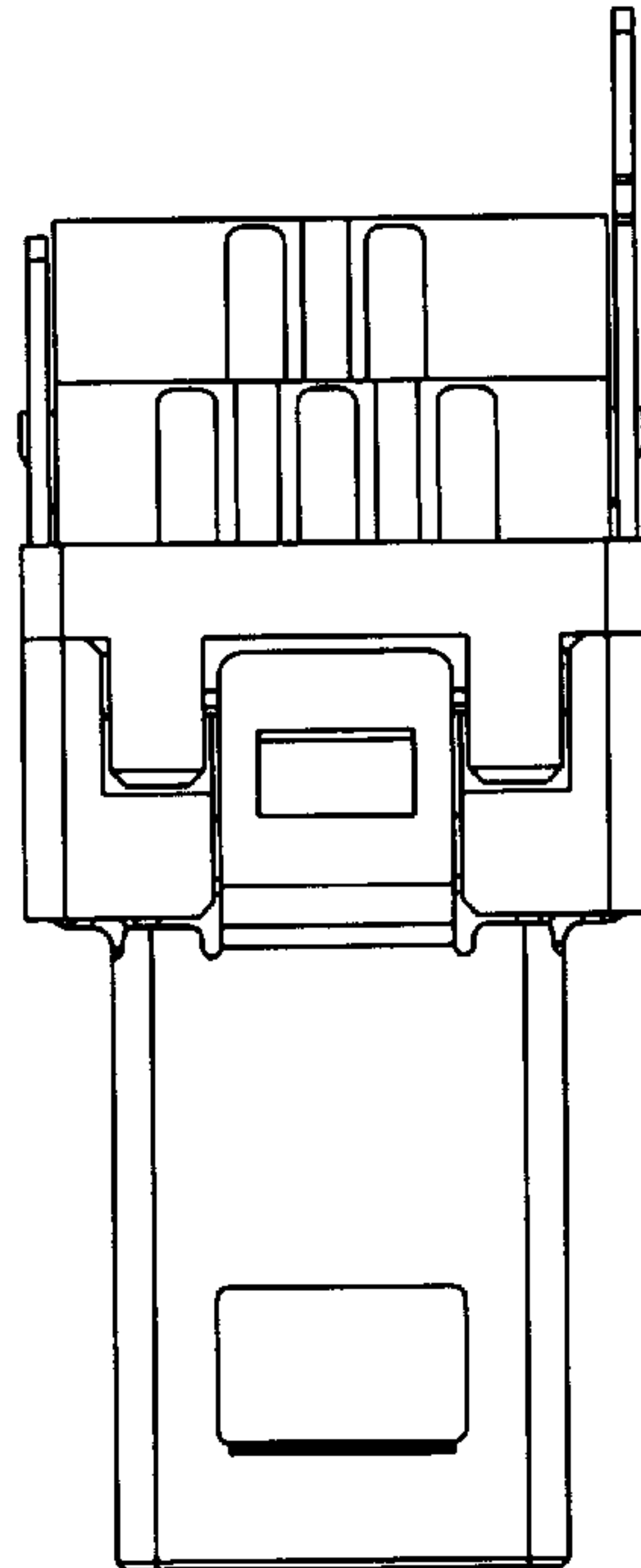


FIG.6

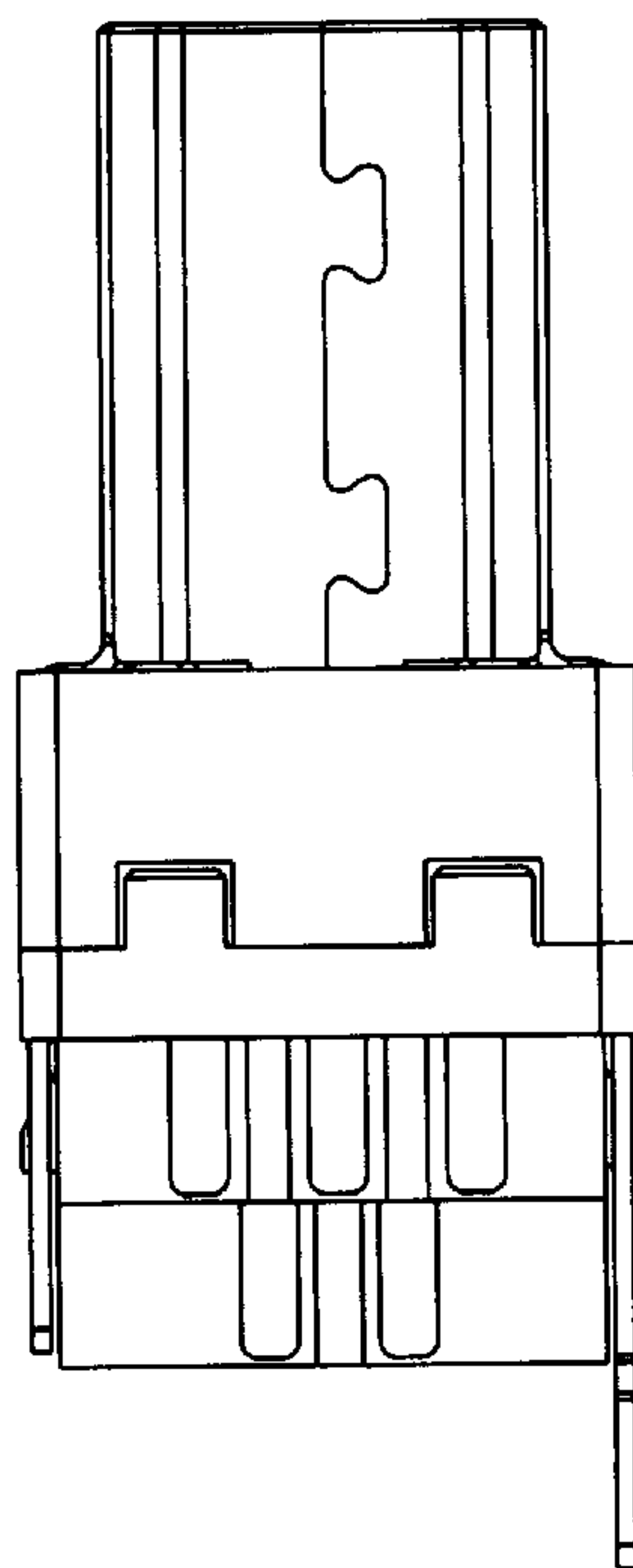


FIG.7