



US00D526617S

(12) **United States Design Patent**  
**Yamane et al.**

(10) **Patent No.: US D526,617 S**

(45) **Date of Patent: \*\* Aug. 15, 2006**

(54) **CONNECTOR**

FOREIGN PATENT DOCUMENTS

(75) Inventors: **Hiroshi Yamane**, Kanagawa (JP);  
**Junya Kajimoto**, Kanagawa (JP)

(73) Assignee: **J.S.T. Mfg. Co., Ltd.**, Osaka (JP)

(\*\*) Term: **14 Years**

(21) Appl. No.: **29/183,060**

(22) Filed: **Aug. 21, 2003**

(30) **Foreign Application Priority Data**

Dec. 6, 2002 (JP) ..... 2002-033992

(51) **LOC (8) Cl.** ..... **13-03**

(52) **U.S. Cl.** ..... **D13/147**

(58) **Field of Classification Search** ..... D13/147;  
439/260, 325, 329, 492, 495, 570, 607  
See application file for complete search history.

(56) **References Cited**

U.S. PATENT DOCUMENTS

5,904,586	A *	5/1999	Takayasu	.....	439/260
6,056,572	A *	5/2000	Matsumoto et al.	.....	439/260
6,099,346	A *	8/2000	Hashiguchi et al.	.....	439/495
6,206,723	B1 *	3/2001	Kunishi	.....	439/495
6,338,648	B1 *	1/2002	Miura et al.	.....	439/495
6,352,442	B1 *	3/2002	Kudo	.....	439/260
6,471,541	B1 *	10/2002	Kunishi et al.	.....	439/495
D470,109	S *	2/2003	Yokoyama et al.	.....	D13/147
D470,110	S *	2/2003	Yamane	.....	D13/147
6,533,606	B1 *	3/2003	Yamane	.....	439/495
6,679,713	B1 *	1/2004	Miura	.....	439/260

JP	1077247	S	7/2000
JP	1083550	S	8/2000
JP	1108092	S	5/2001
JP	1108250	S	5/2001
JP	1108251	S	5/2001
JP	1108252	S	5/2001
JP	1138432	S	4/2002
JP	1138433	S	4/2002
JP	1139129	S	4/2002
JP	1139130	S	4/2002
JP	1139131	S	4/2002
JP	1139132	S	4/2002
JP	1108250	S	8/2002
JP	1155686	S	10/2002

\* cited by examiner

*Primary Examiner*—Stella Reid

*Assistant Examiner*—Selina Sikder

(74) *Attorney, Agent, or Firm*—Rader, Fishman & Grauer  
PLLC

(57) **CLAIM**

The ornamental design for a connector, as shown.

**DESCRIPTION**

FIG. 1 is a perspective view of a connector showing our new design;

FIG. 2 is a front elevational view thereof;

FIG. 3 is a rear elevational view thereof;

FIG. 4 is a right side elevational view thereof;

FIG. 5 is a left side elevational view thereof;

FIG. 6 is a top plan view thereof; and,

FIG. 7 is a bottom plan view thereof.

**1 Claim, 4 Drawing Sheets**

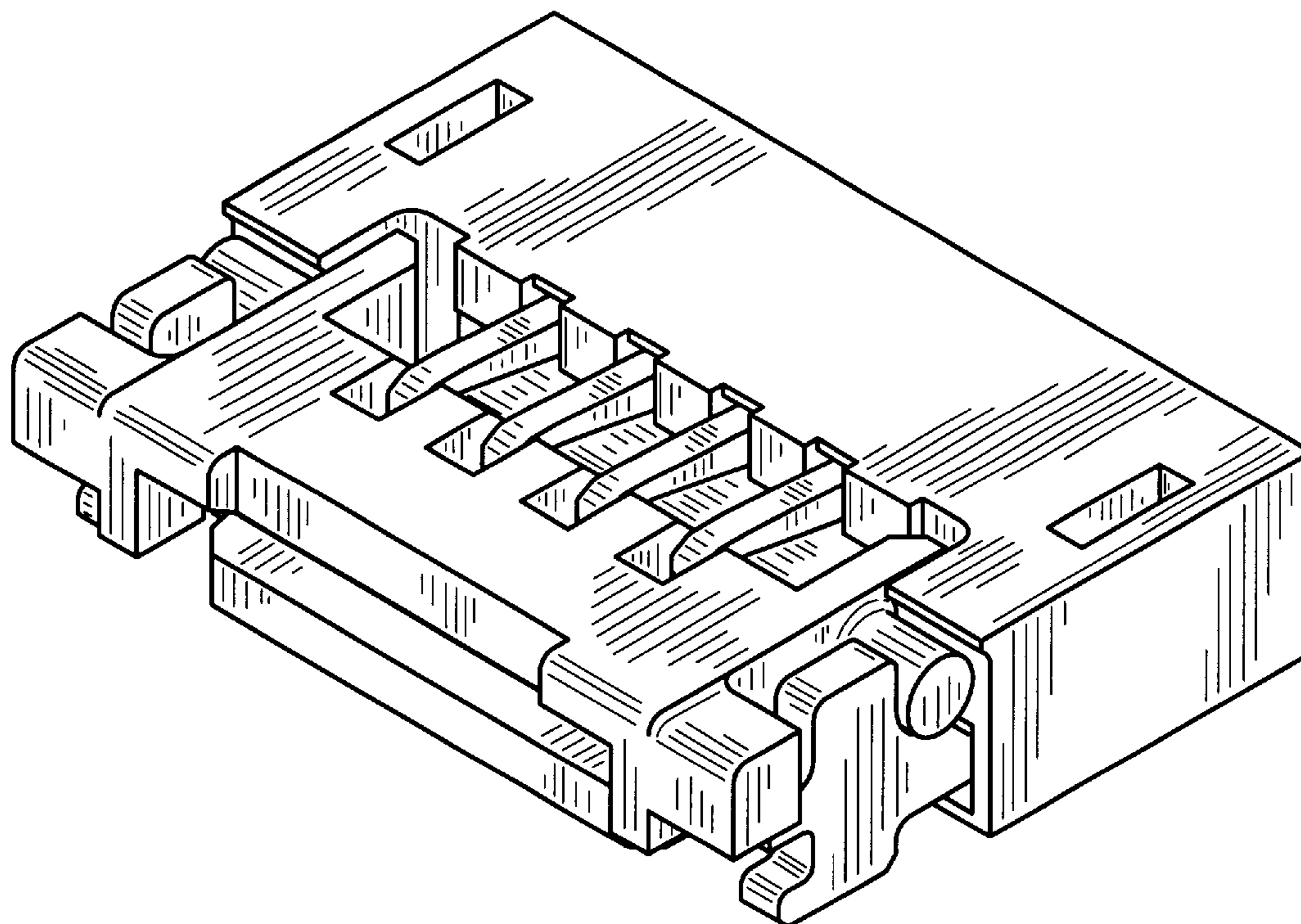


Fig. 1

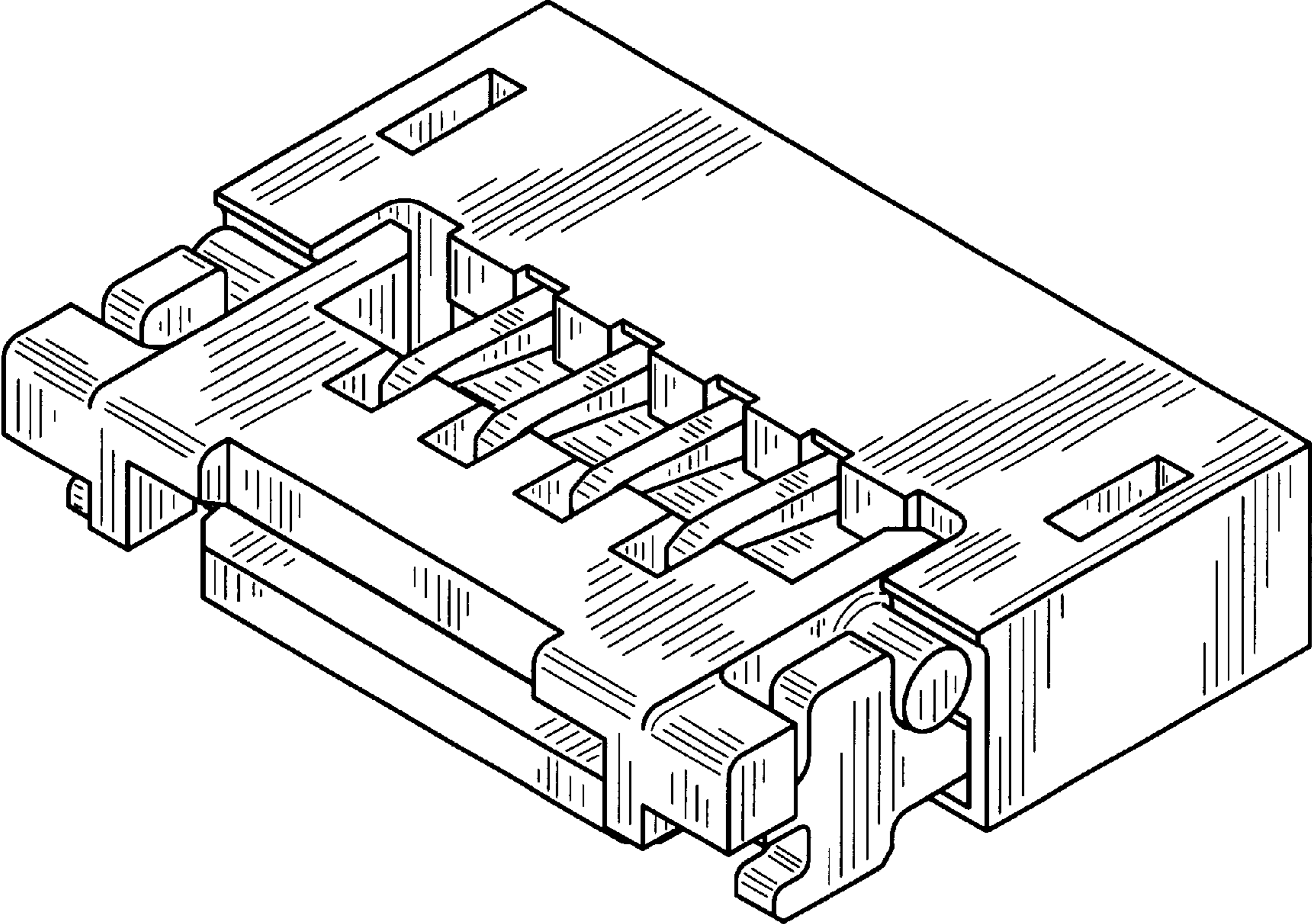


Fig.2

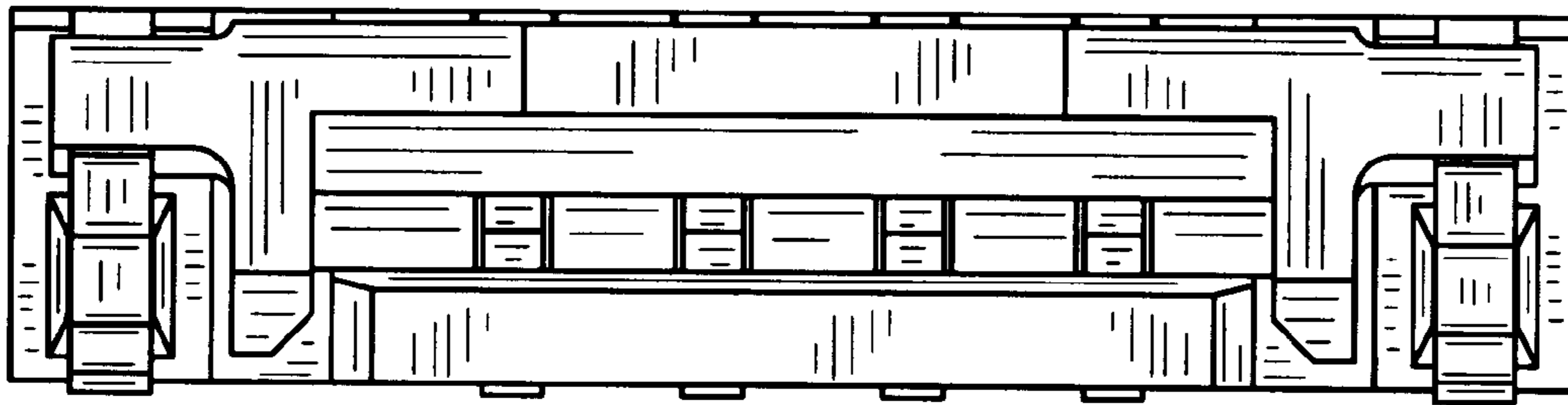


Fig.3



Fig.4

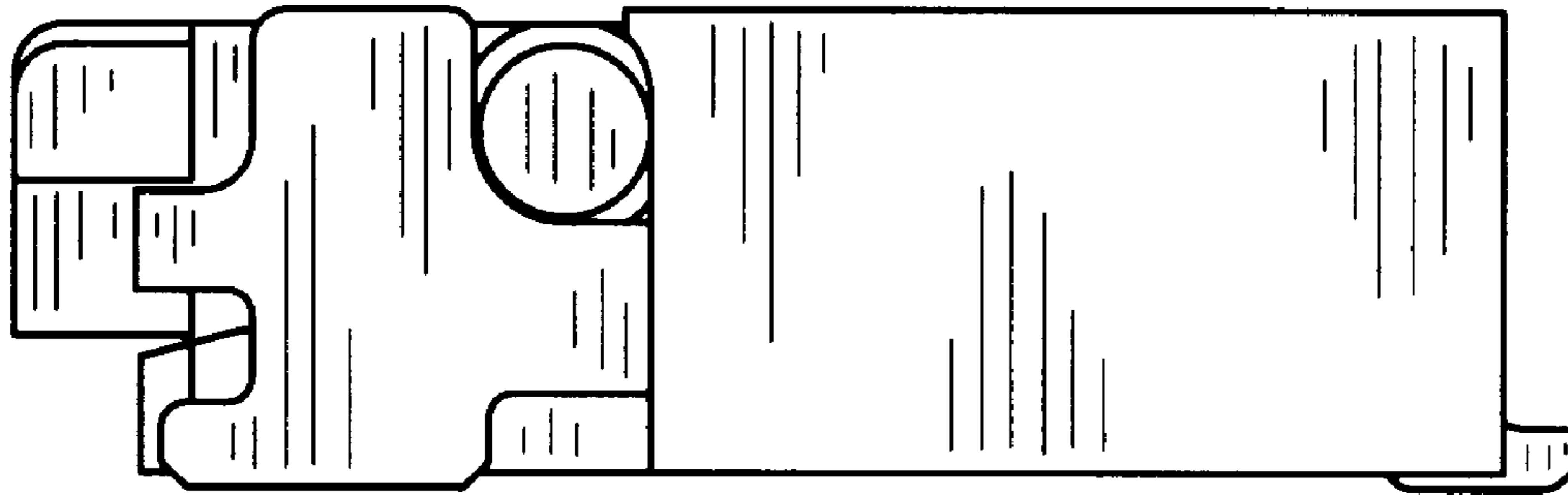


Fig.5

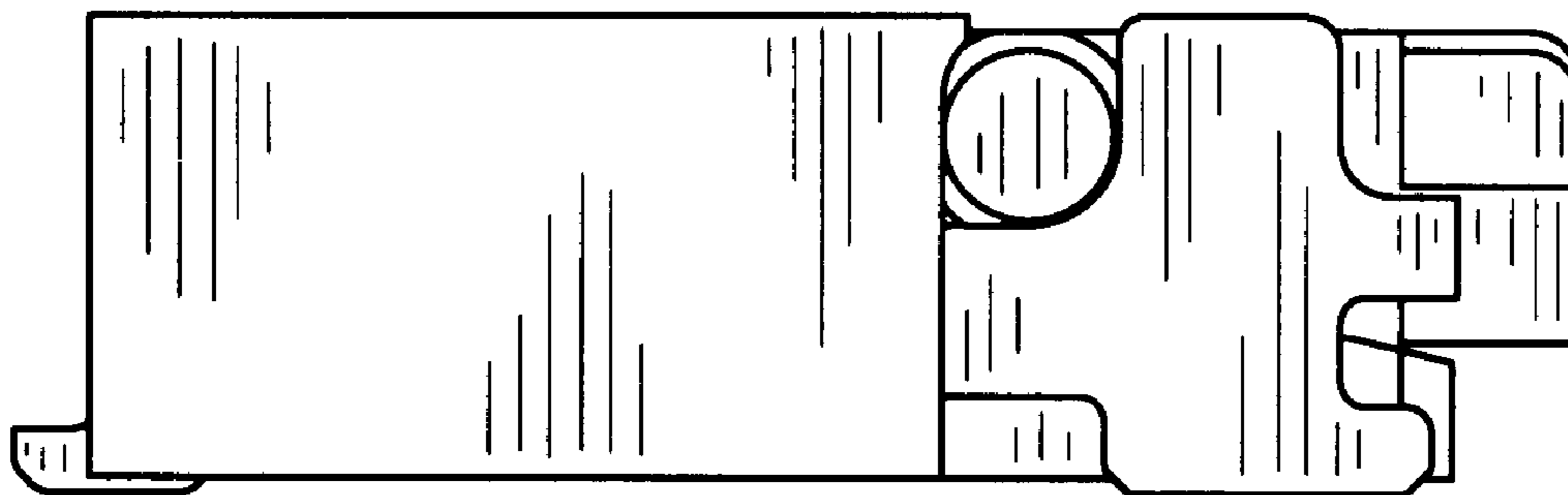


Fig.6

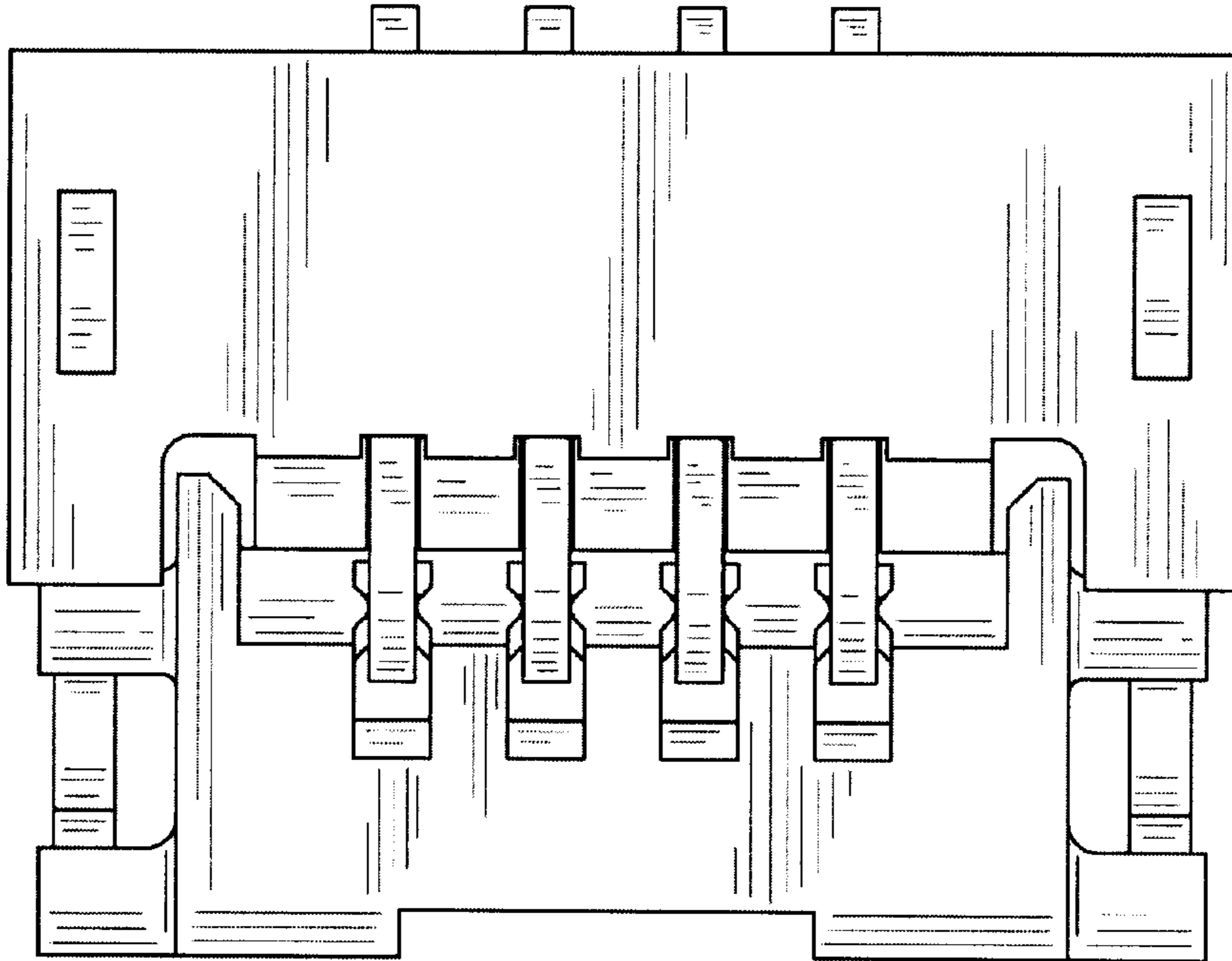
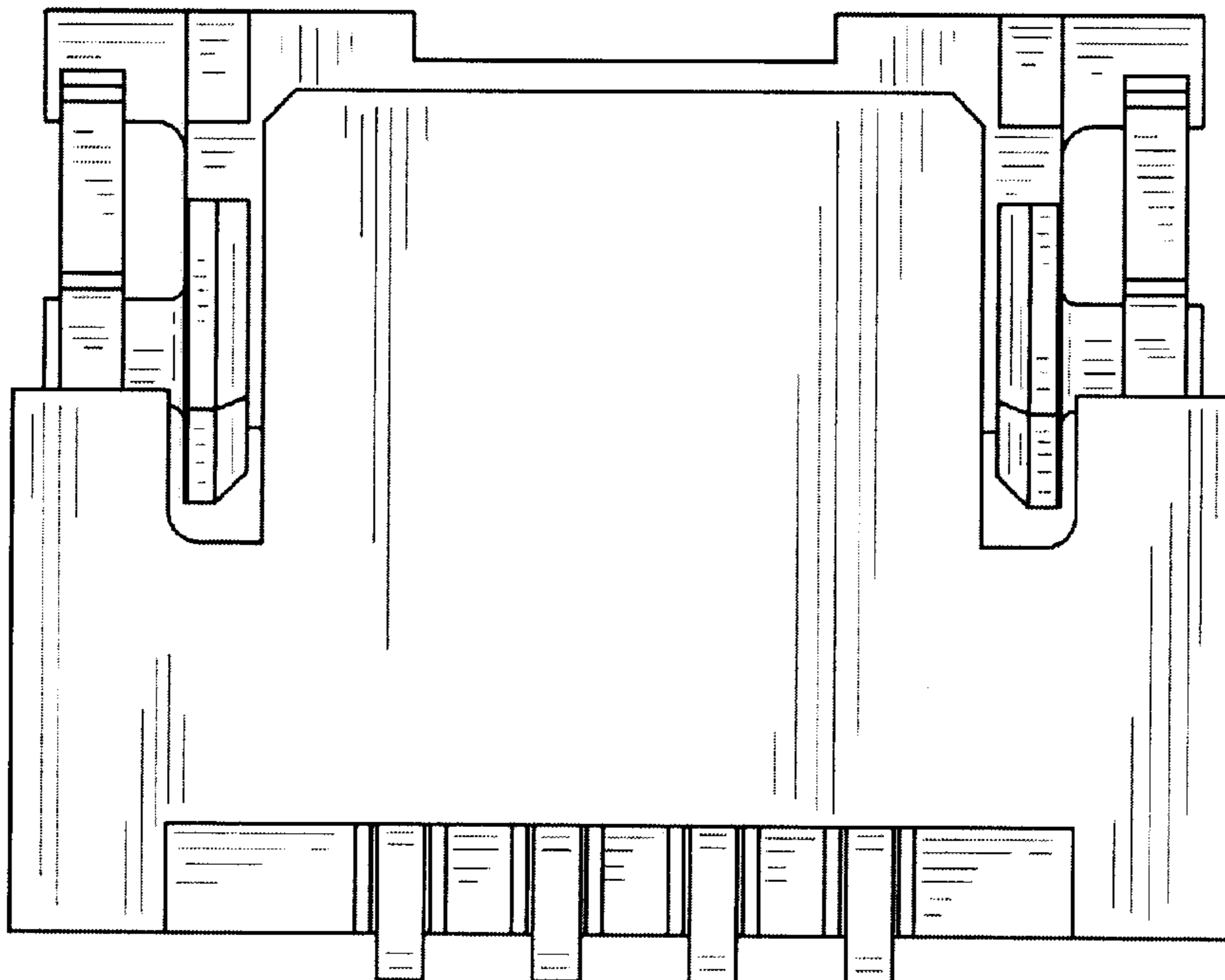


Fig.7



UNITED STATES PATENT AND TRADEMARK OFFICE  
**CERTIFICATE OF CORRECTION**

PATENT NO. : Des. 526,617 S  
APPLICATION NO. : 29/183060  
DATED : August 15, 2006  
INVENTOR(S) : Yamane et al.

Page 1 of 1

It is certified that error appears in the above-identified patent and that said Letters Patent is hereby corrected as shown below:

On the title page:

Item (22) should read -- June 6, 2003 --.

Signed and Sealed this

Seventeenth Day of June, 2008

A handwritten signature in black ink that reads "Jon W. Dudas". The signature is written in a cursive style with a large, looped initial "J".

JON W. DUDAS

*Director of the United States Patent and Trademark Office*