

US00D526616S

(12) **United States Design Patent**
Nakashima et al.

(10) **Patent No.:** **US D526,616 S**

(45) **Date of Patent:** **** *Aug. 15, 2006**

(54) **MODULAR JACK HOUSING**

(75) Inventors: **Yoshiyuki Nakashima**, Kadoma (JP);
Shousuke Ko, Osaka (JP)

(73) Assignee: **Matsushita Electric Works, Inc.**,
Osaka (JP)

(*) Notice: This patent is subject to a terminal disclaimer.

(**) Term: **14 Years**

(21) Appl. No.: **29/194,740**

(22) Filed: **Nov. 25, 2003**

(30) **Foreign Application Priority Data**

May 26, 2003 (JP) 2003-01566

(51) **LOC (8) Cl.** **13-03**

(52) **U.S. Cl.** **D13/133**

(58) **Field of Classification Search** D13/133,
D13/146-147, 154, 184, 199; D14/240, 256,
D14/356-358; 439/92, 344, 607-610, 638,
439/650, 676

See application file for complete search history.

(56) **References Cited**

U.S. PATENT DOCUMENTS

D303,246 S * 9/1989 Freeman et al. D13/147
D312,070 S * 11/1990 Benjamin et al. D13/147
D366,878 S * 2/1996 Wakabayashi et al. D14/242

5,639,262 A * 6/1997 Lim 439/607
D454,873 S * 3/2002 Clark et al. D14/358
D461,453 S * 8/2002 Chen D13/147
D478,563 S * 8/2003 Brown D14/188
D480,688 S * 10/2003 Lin D13/147
D503,384 S * 3/2005 Weatherley D13/147

* cited by examiner

Primary Examiner—Stella Reid
Assistant Examiner—Daniel Bui

(74) *Attorney, Agent, or Firm*—J.C. Patents

(57) **CLAIM**

The ornamental design for a modular jack housing, as shown and described.

DESCRIPTION

FIG. 1 is a bottom and right front perspective view of a modular jack housing, showing our new design.

FIG. 2 is a front elevational view thereof.

FIG. 3 is a rear elevational view thereof.

FIG. 4 is a right side elevational view thereof, the left side elevational view being a mirror image of the right side elevational view.

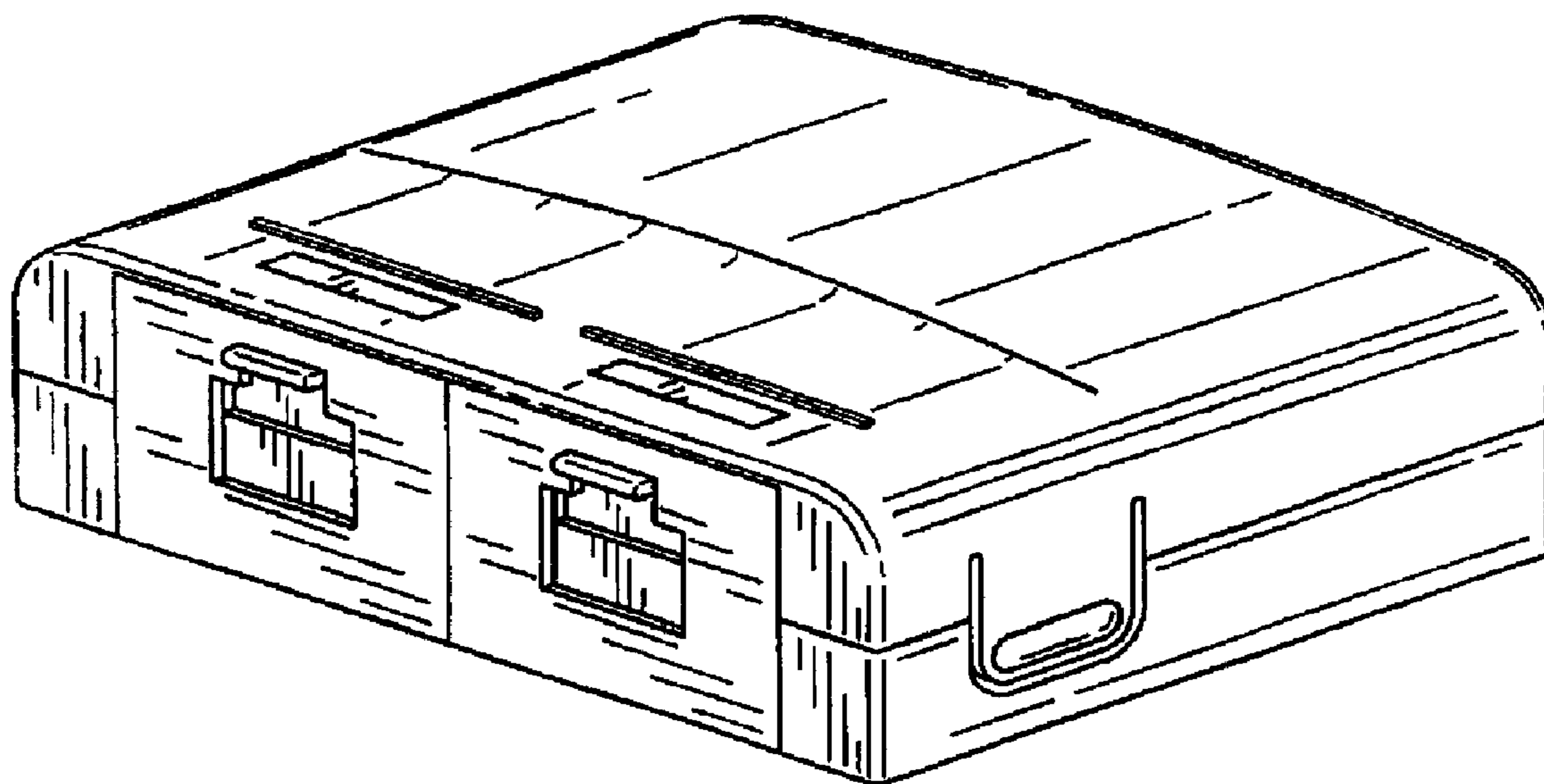
FIG. 5 is a top plan view thereof.

FIG. 6 is a bottom plan view thereof.

FIG. 7 is a sectional view taken along line 7—7 of FIG. 2 with the internal parts omitted; and,

FIG. 8 is a sectional view taken along line 8—8 of FIG. 2 with the internal parts omitted.

1 Claim, 6 Drawing Sheets



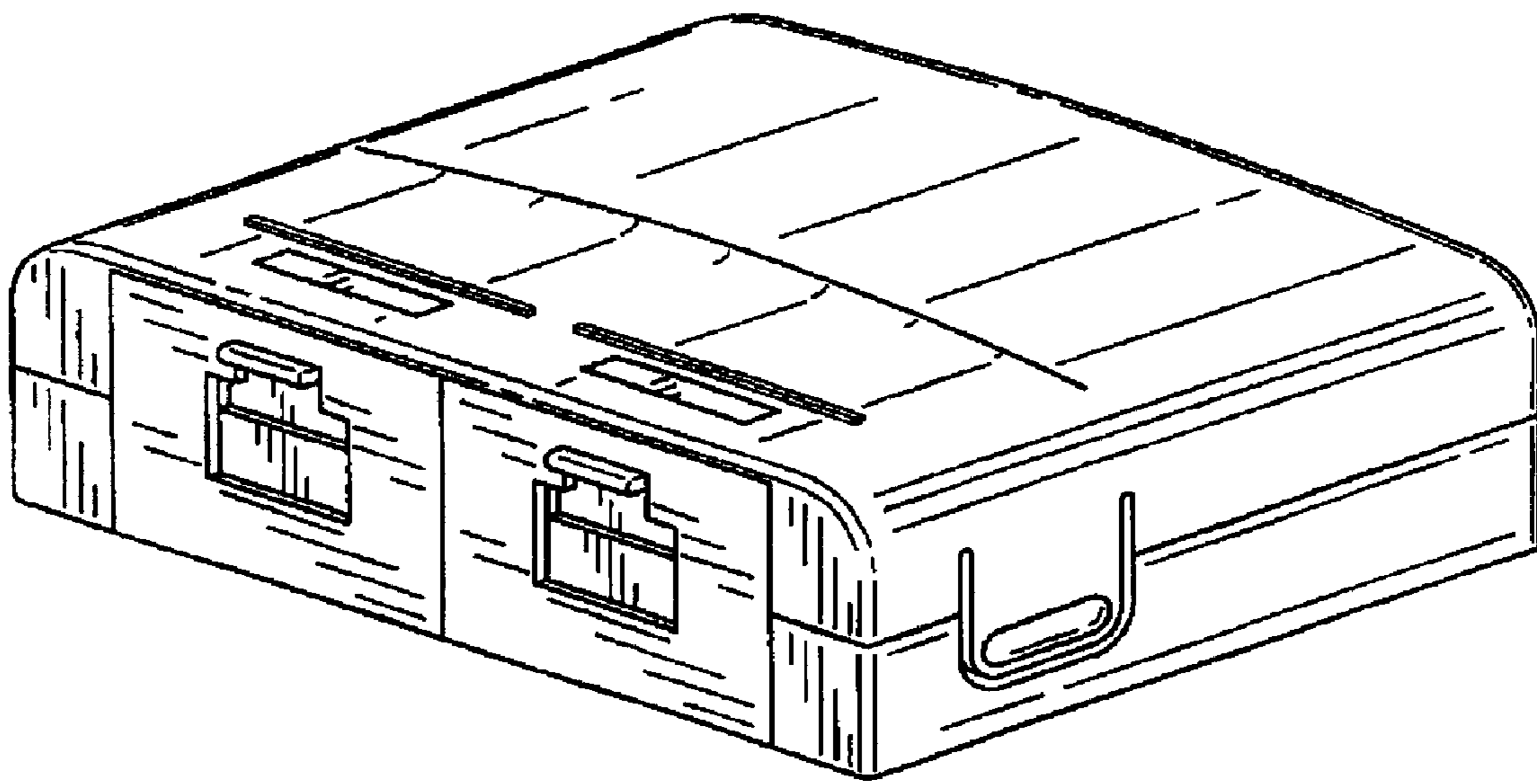


FIG. 1

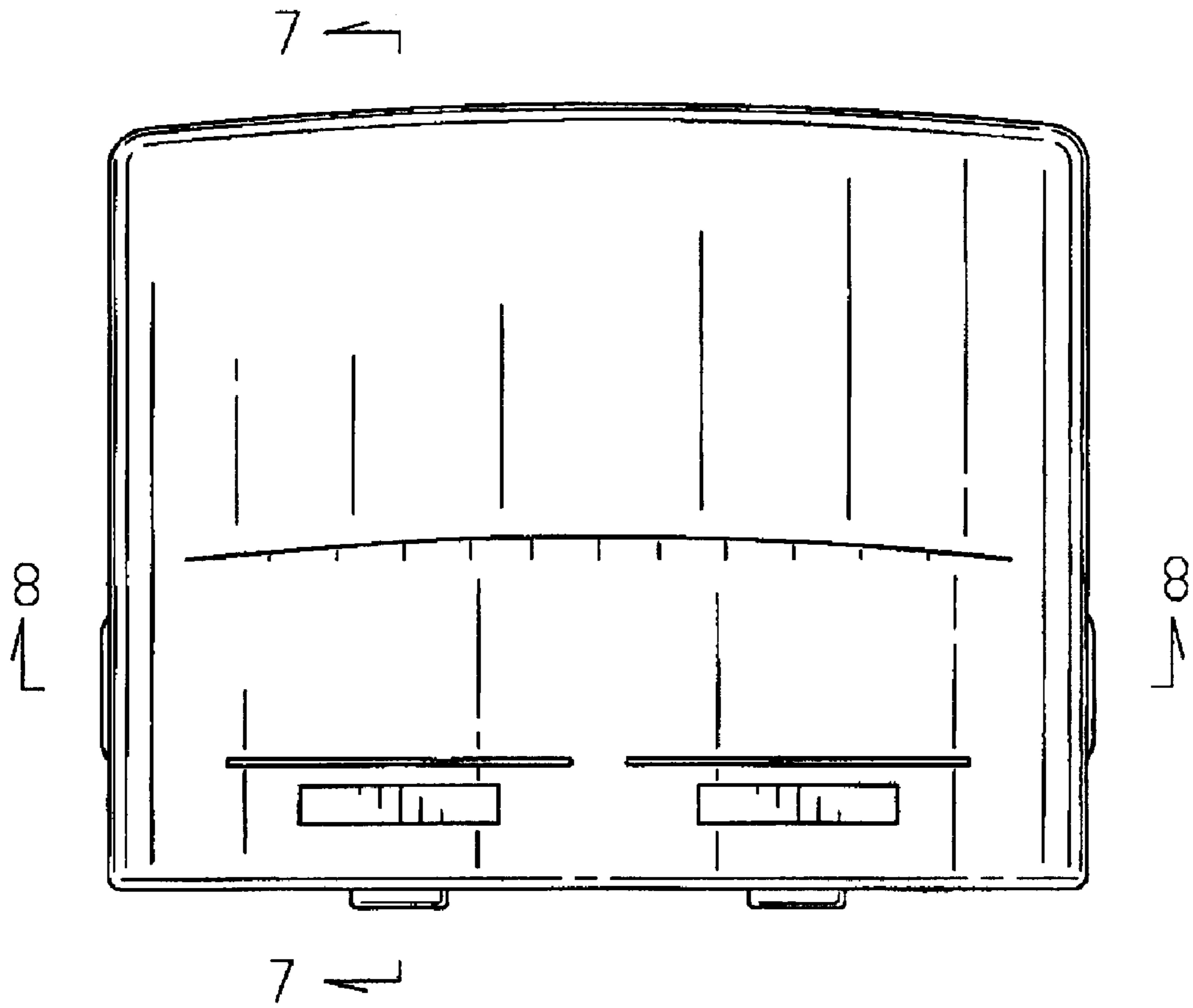


FIG. 2



FIG. 3

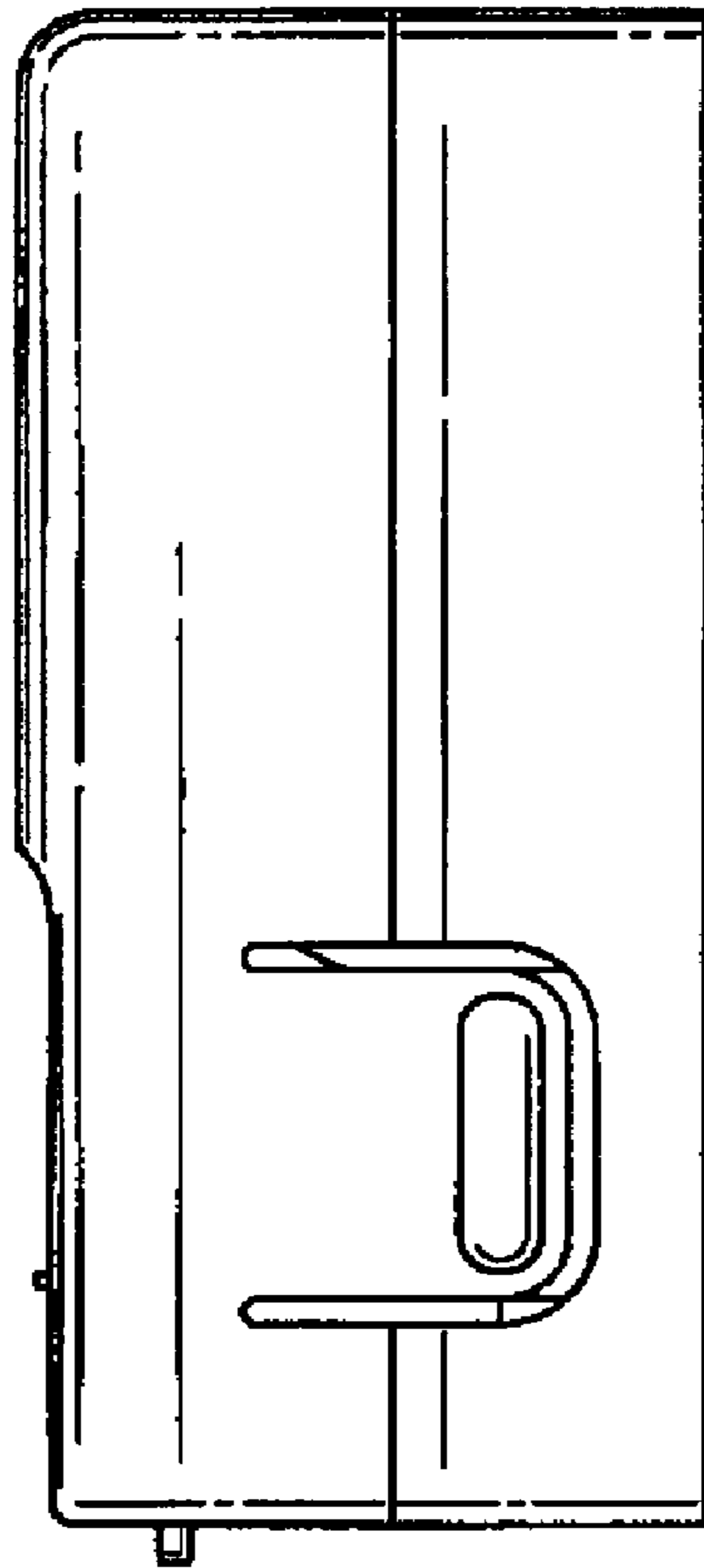


FIG. 4

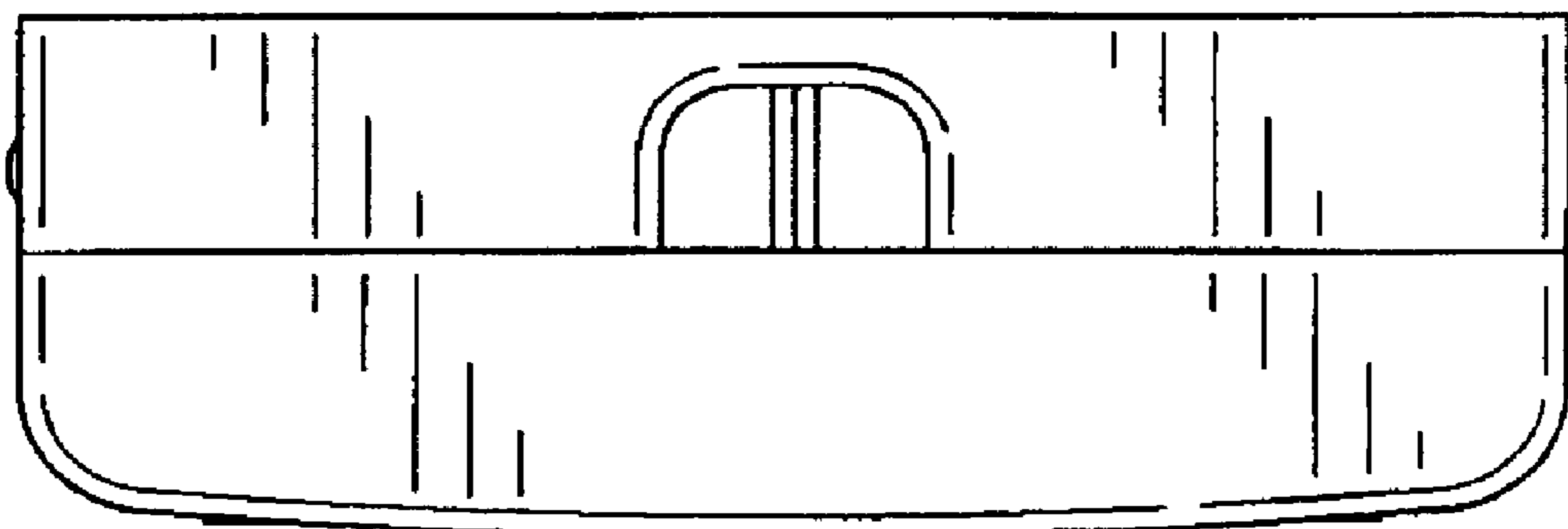


FIG. 5

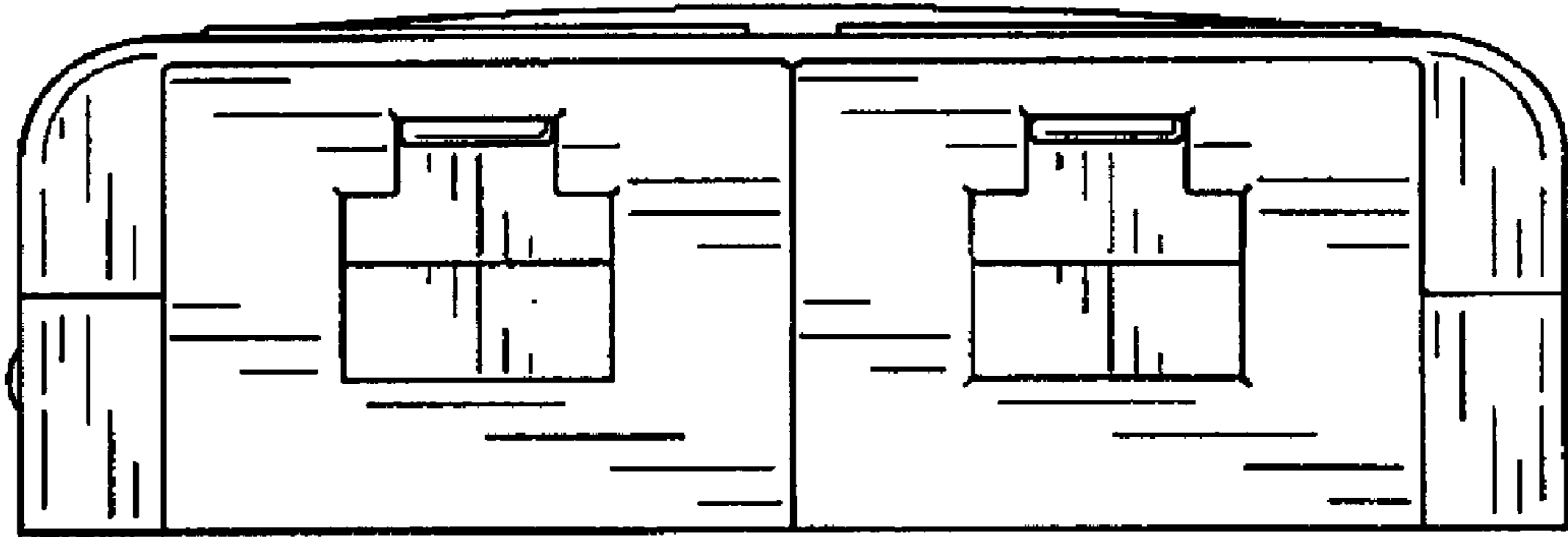


FIG. 6

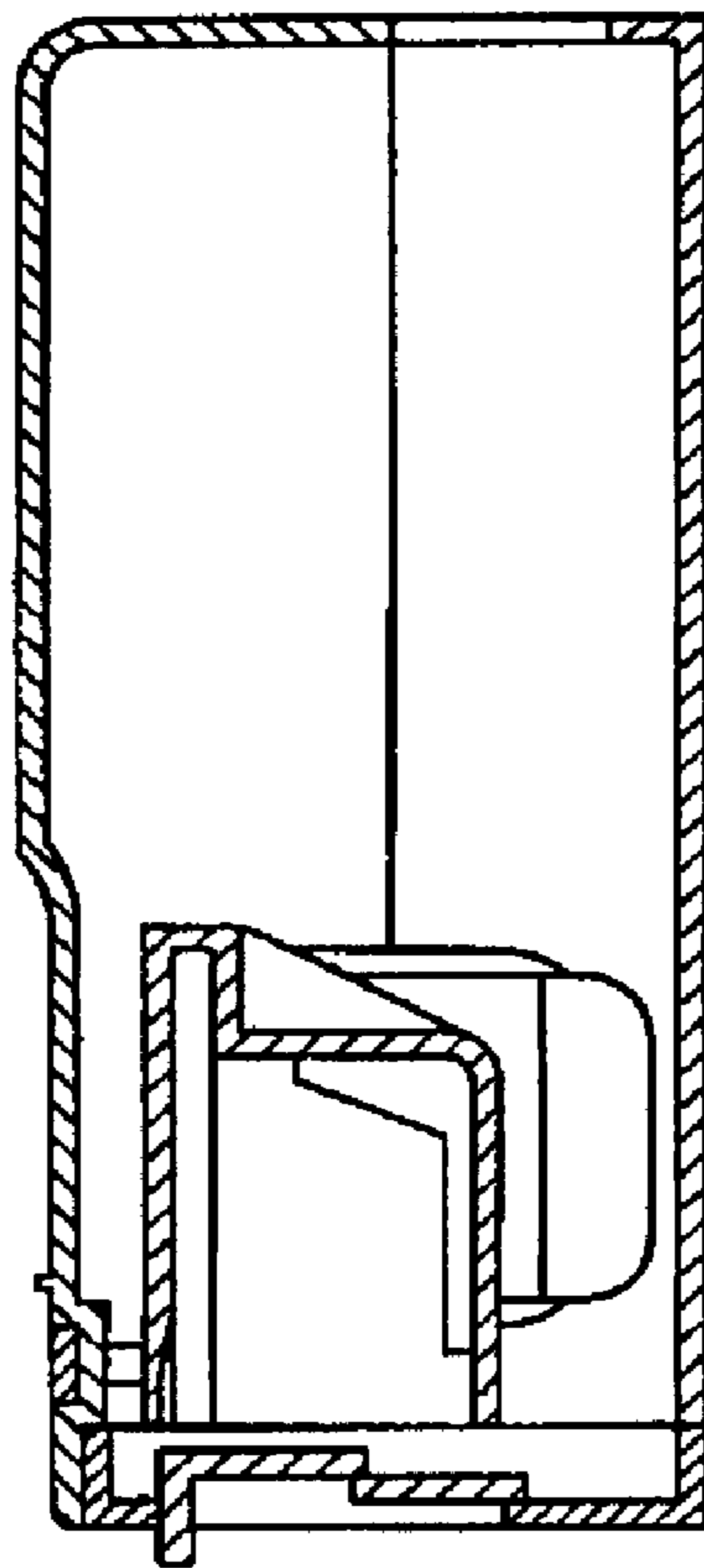


FIG. 7

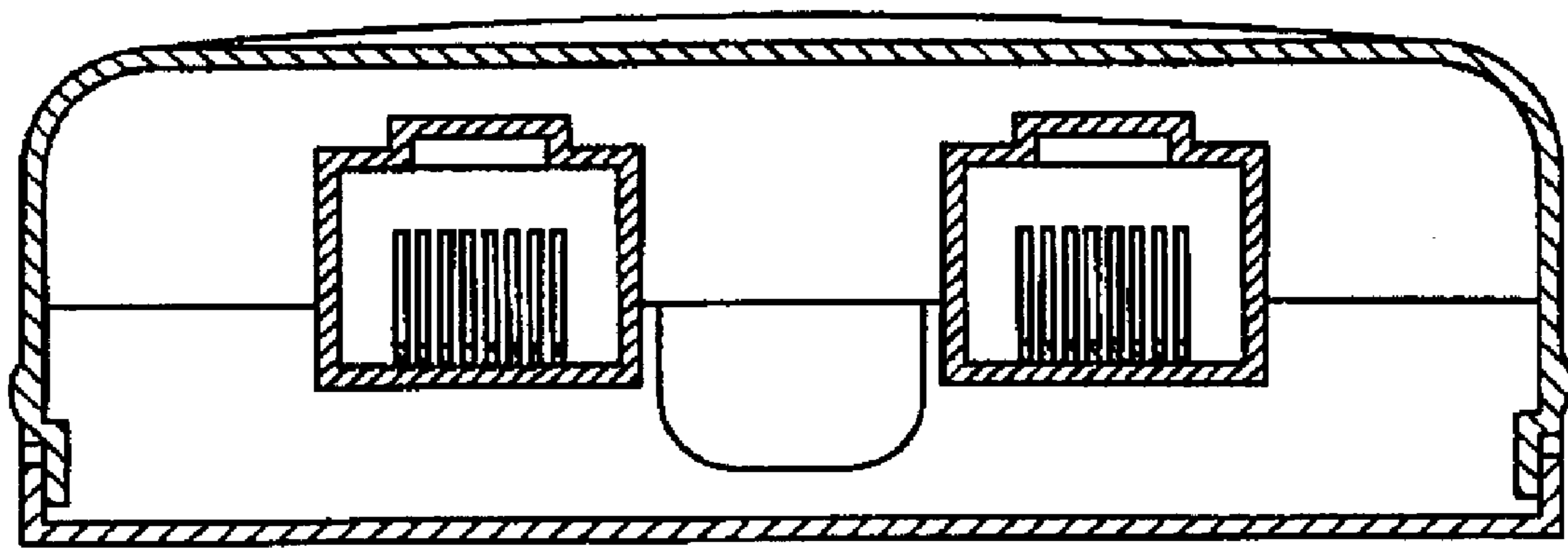


FIG. 8