



US00D526611S

(12) **United States Design Patent**
Langner et al.

(10) **Patent No.:** **US D526,611 S**

(45) **Date of Patent:** **** Aug. 15, 2006**

(54) **AVIONICS FLIGHT DISPLAY**

D359,311 S * 6/1995 Stangarone D20/10
D462,311 S * 9/2002 Krongold D12/345

(75) Inventors: **Dale R. Langner**, Olathe, KS (US);
Jared S. Klein, Overland Park, KS
(US)

* cited by examiner

Primary Examiner—Marcus A. Jackson

(73) Assignee: **Garmin International, Inc.**, Olathe,
KS (US)

(74) *Attorney, Agent, or Firm*—David L. Terrell

(**) Term: **14 Years**

(57) **CLAIM**

The ornamental design for an avionics flight display, as shown and described.

(21) Appl. No.: **29/199,434**

DESCRIPTION

(22) Filed: **Feb. 13, 2004**

(51) **LOC (8) Cl.** **12-12**

(52) **U.S. Cl.** **D12/345**

(58) **Field of Classification Search** D12/345;
296/37.12, 70; 348/789, 836, 838
See application file for complete search history.

FIG. 1 is a front perspective view of an avionics flight display according to the present invention, with the broken line shown for illustrative purposes only and forming no part of the claimed design;

FIG. 2 is a front elevational view thereof;

FIG. 3 is a top plan view thereof;

FIG. 4 is a bottom plan view thereof;

FIG. 5 is a left side view thereof; and,

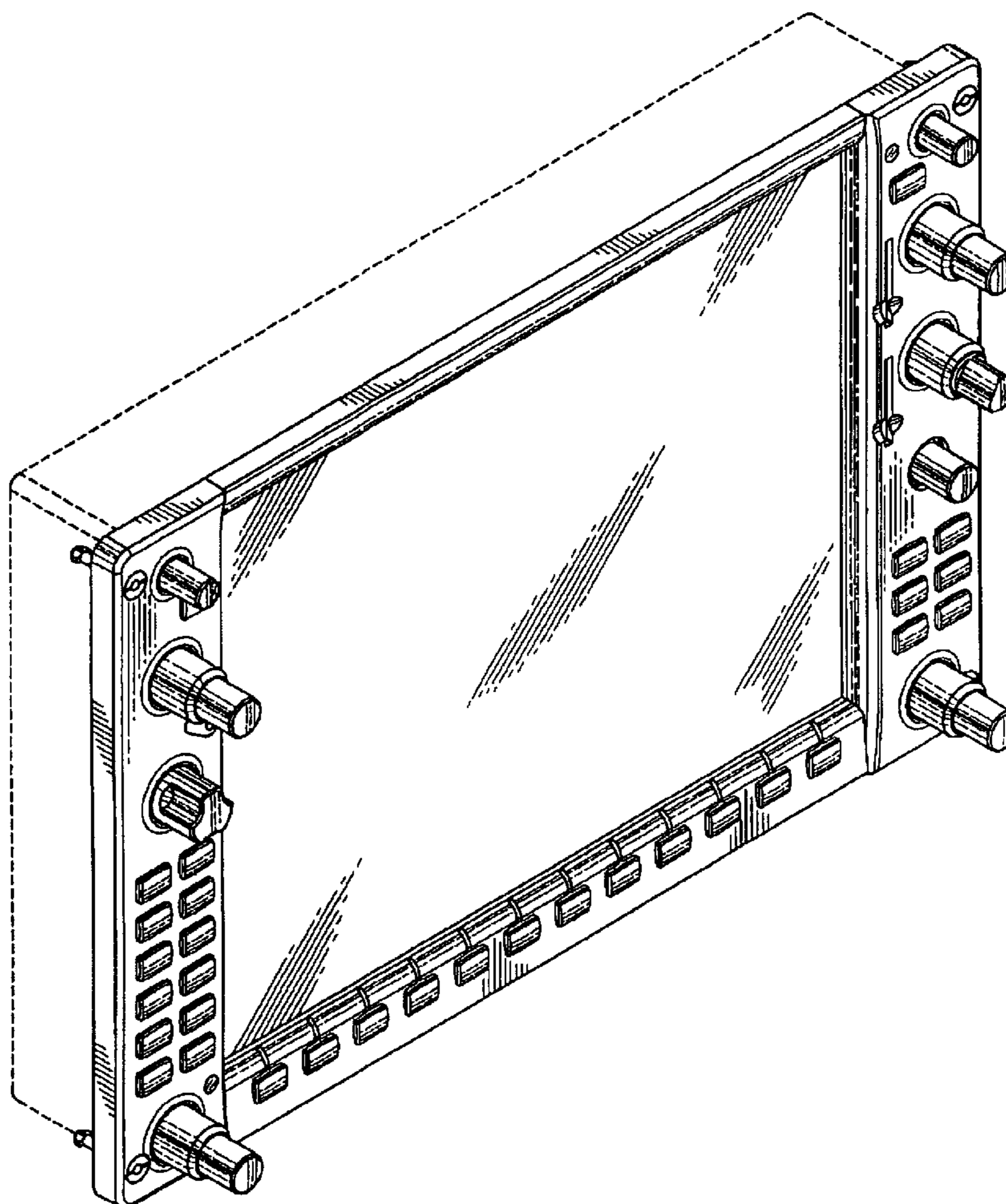
FIG. 6 is a right side view thereof.

(56) **References Cited**

U.S. PATENT DOCUMENTS

D339,562 S * 9/1993 Ditzig et al. D12/345

1 Claim, 4 Drawing Sheets



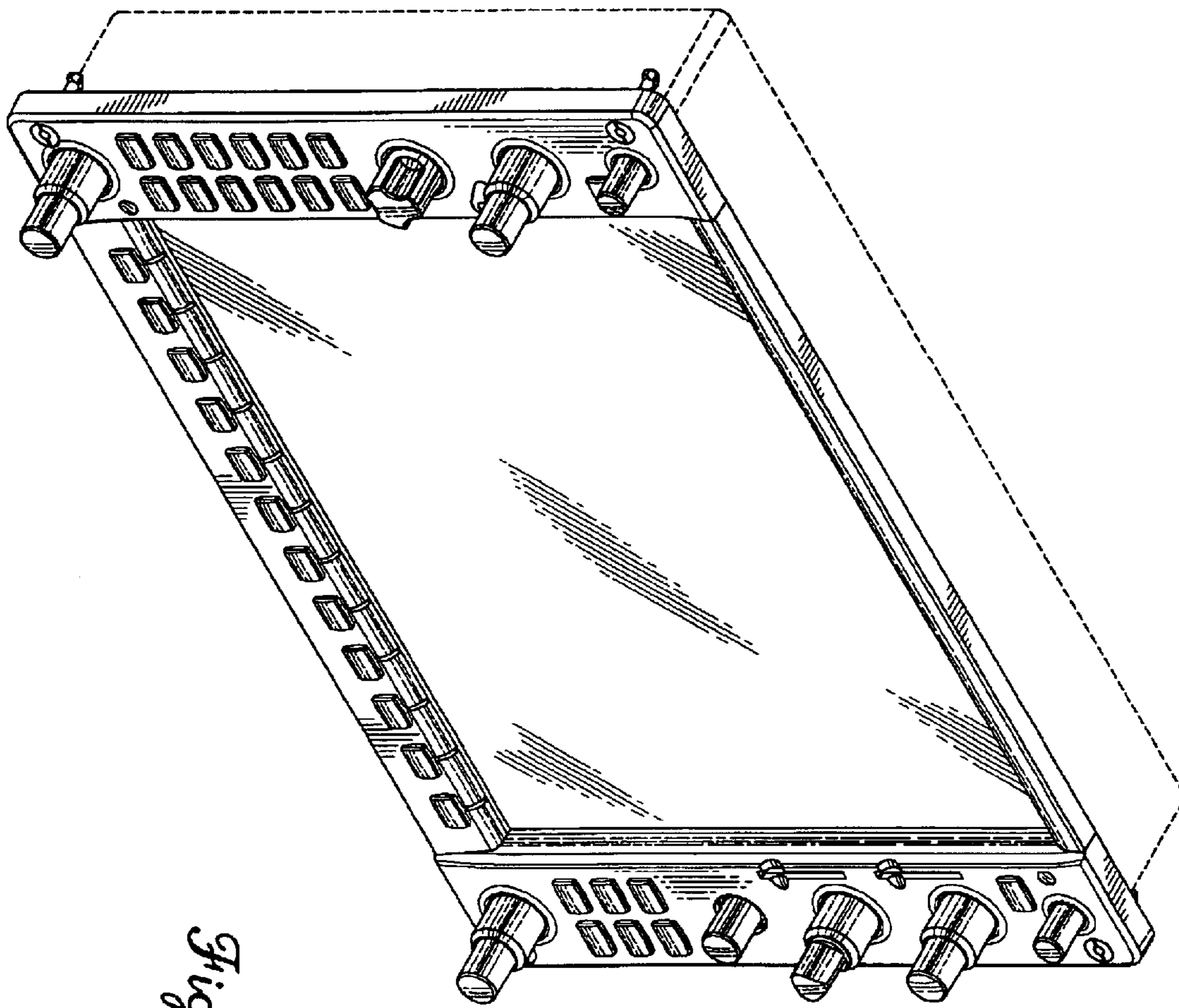


Fig. 1

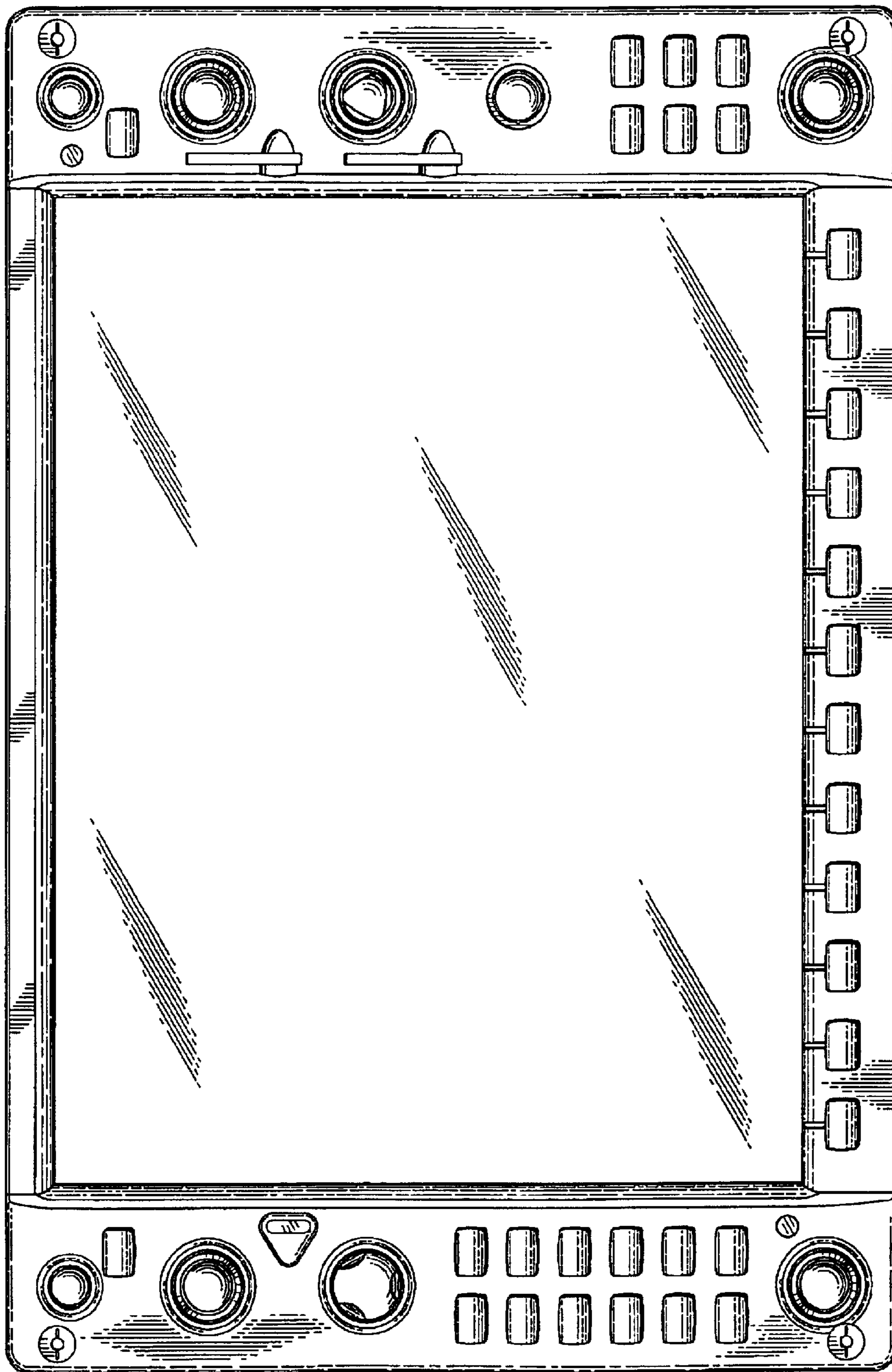


Fig. 2

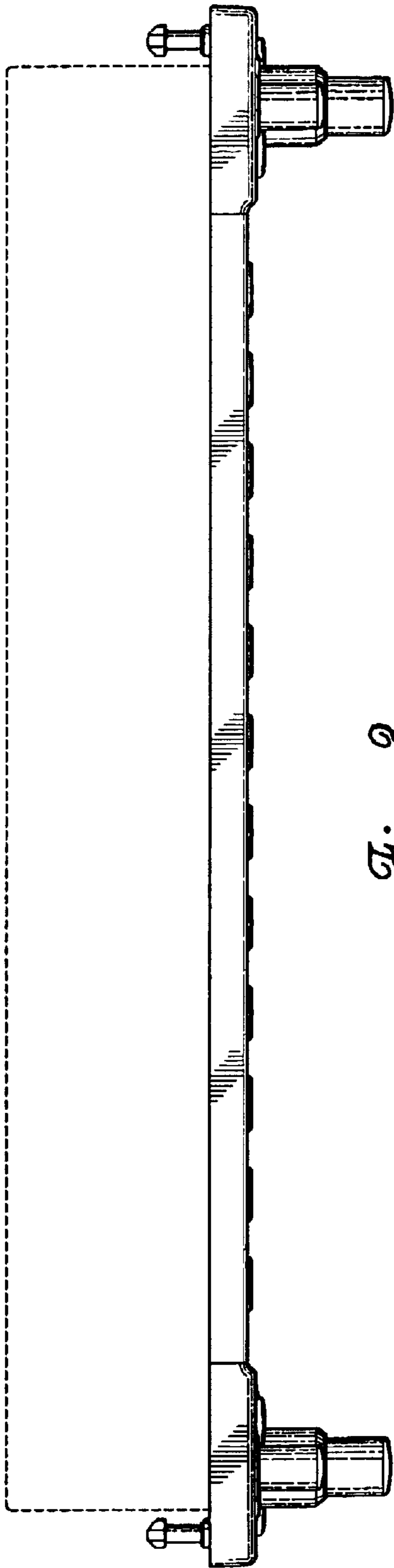


Fig. 3

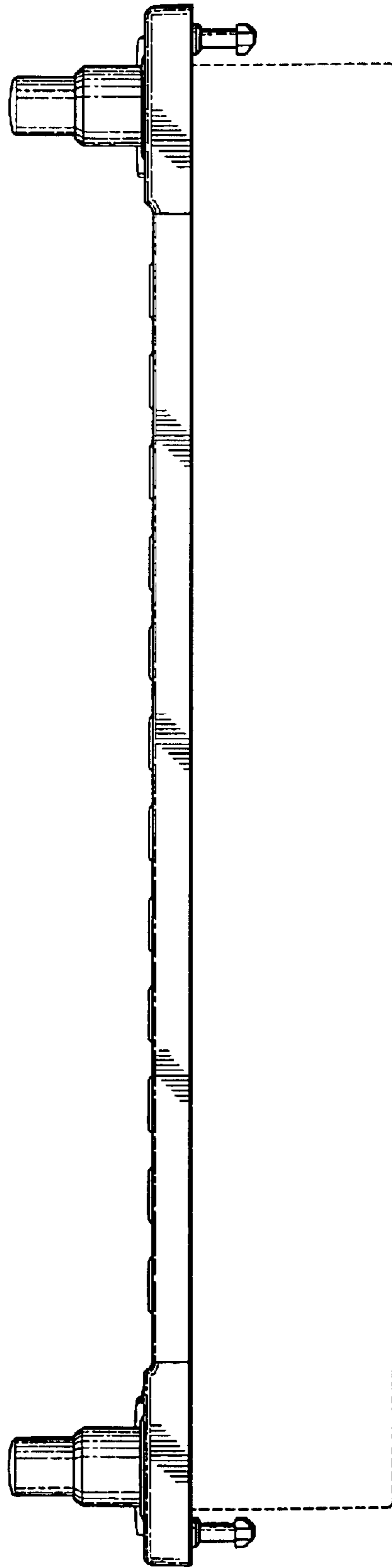


Fig. 4

Fig. 6

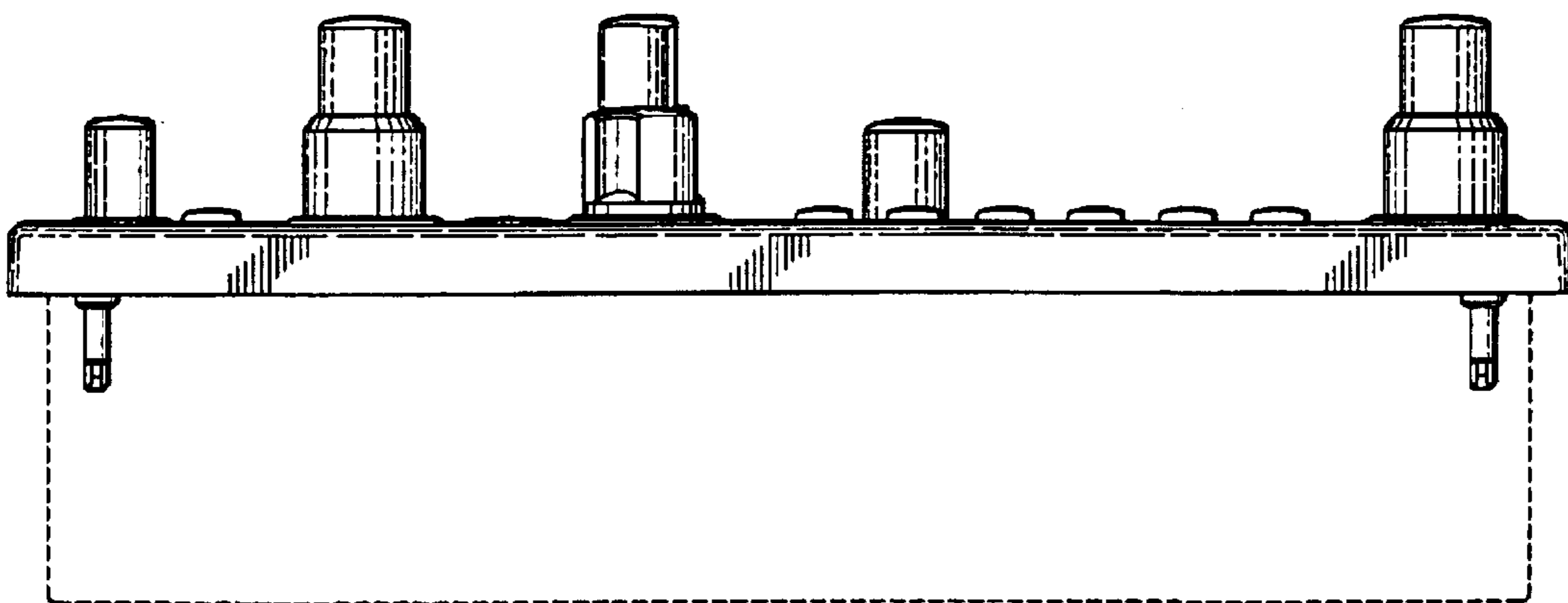
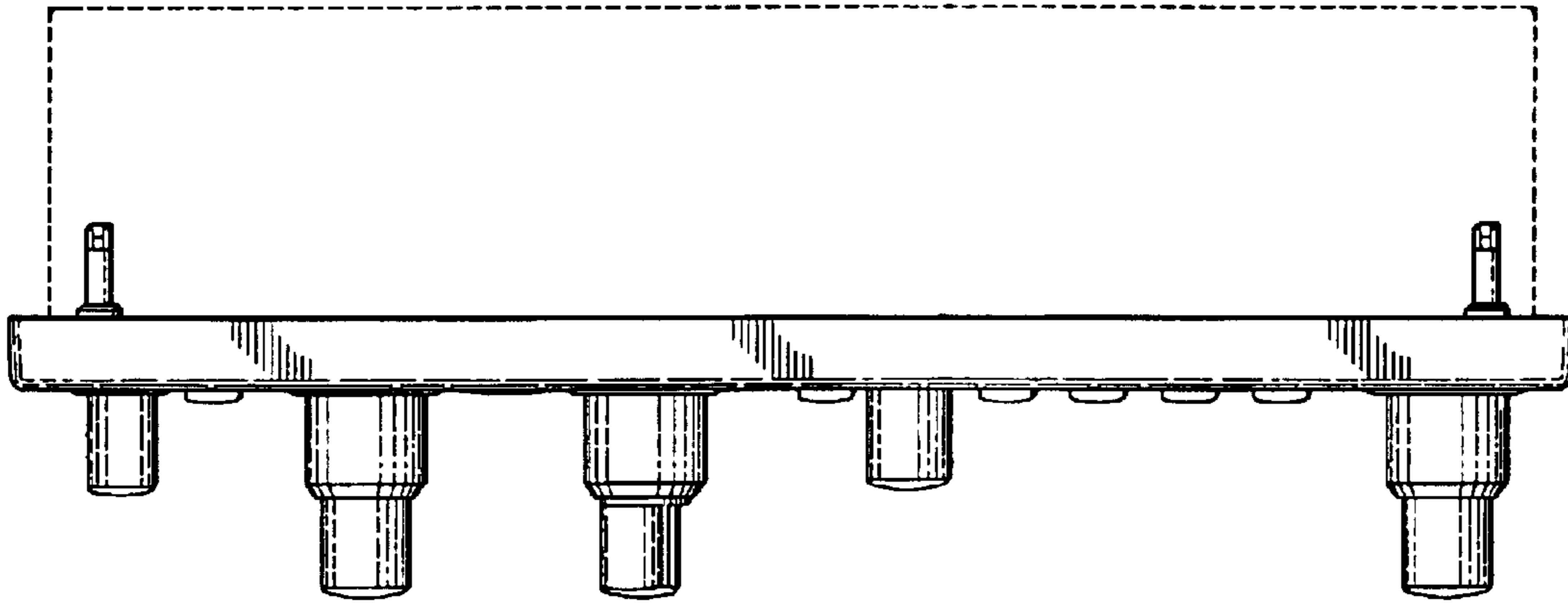


Fig. 5