

US00D526604S

(12) **United States Design Patent**
Kozak et al.

(10) **Patent No.:** **US D526,604 S**

(45) **Date of Patent:** **** Aug. 15, 2006**

(54) **HITCH INSERT**

D489,297 S 5/2004 Pichan
6,769,704 B1 8/2004 Cipolla
D511,319 S * 11/2005 Wang D12/203

(75) Inventors: **W. Shawn Kozak**, Decatur, GA (US);
Steve Drabant, Snellville, GA (US)

(73) Assignee: **Lund International, Inc.**, Anoka, MN (US)

(**) Term: **14 Years**

(21) Appl. No.: **29/254,032**

(22) Filed: **Feb. 16, 2006**

Related U.S. Application Data

(62) Division of application No. 29/216,097, filed on Oct. 28, 2004.

(51) **LOC (8) Cl.** **12-16**

(52) **U.S. Cl.** **D12/162**

(58) **Field of Classification Search** D12/162,
D12/400, 196; D20/10; D9/441, 451; D23/260;
D8/354, 380; 138/89-89.2; 211/14; 280/500,
280/511, 506-507, 495; 293/122
See application file for complete search history.

(56) **References Cited**

U.S. PATENT DOCUMENTS

D349,083 S	7/1994	Hall
D424,485 S	5/2000	Parker
D426,798 S	6/2000	Peroni
6,322,094 B1	11/2001	Poe
D463,345 S	9/2002	Cipolla
D464,302 S	10/2002	Snook et al.
D464,919 S	10/2002	Pichan
D464,923 S	10/2002	Snook et al.
D467,842 S	12/2002	Richardson
D478,935 S	8/2003	Gearhart et al.

OTHER PUBLICATIONS

Stylin Concepts Motoring Accessories, Smooth Hitch Cover w/Back-Up Alert, ©2005, http://www.stylinconcepts.com/parts.cfm/partfamilyid/1010/key_word/hitch%20covers, 1 Page.

Stylin Concepts Motoring Accessories, Classic & Premium Hitch Covers, ©2005, http://www.stylinconcepts.com/parts.cfm/partfamilyid/241/key_word/Hitch%20covers, 4 Pages.

Stylin Concepts Motoring Accessories, Pewter Logo Hitch Covers, ©2005, http://www.stylinconcepts.com/parts.cfm/partfamilyid/525/key_word/Hitch%20covers, 3 Pages.

* cited by examiner

Primary Examiner—Stacia Cadmus

(74) *Attorney, Agent, or Firm*—Merchant & Gould, PC

(57) **CLAIM**

The ornamental design for a hitch insert, as shown and described.

DESCRIPTION

FIG. 1 is a perspective view of a hitch insert according to the present invention shown attached to the hitch of a motor vehicle.

FIG. 2 is a top view of the hitch insert of FIG. 1.

FIG. 3 is a front view of the hitch insert of FIG. 1; and,

FIG. 4 is an end view of the hitch insert of FIG. 1.

The broken line showing of environment is for illustrative purposes only and forms no part of the claimed design.

1 Claim, 2 Drawing Sheets

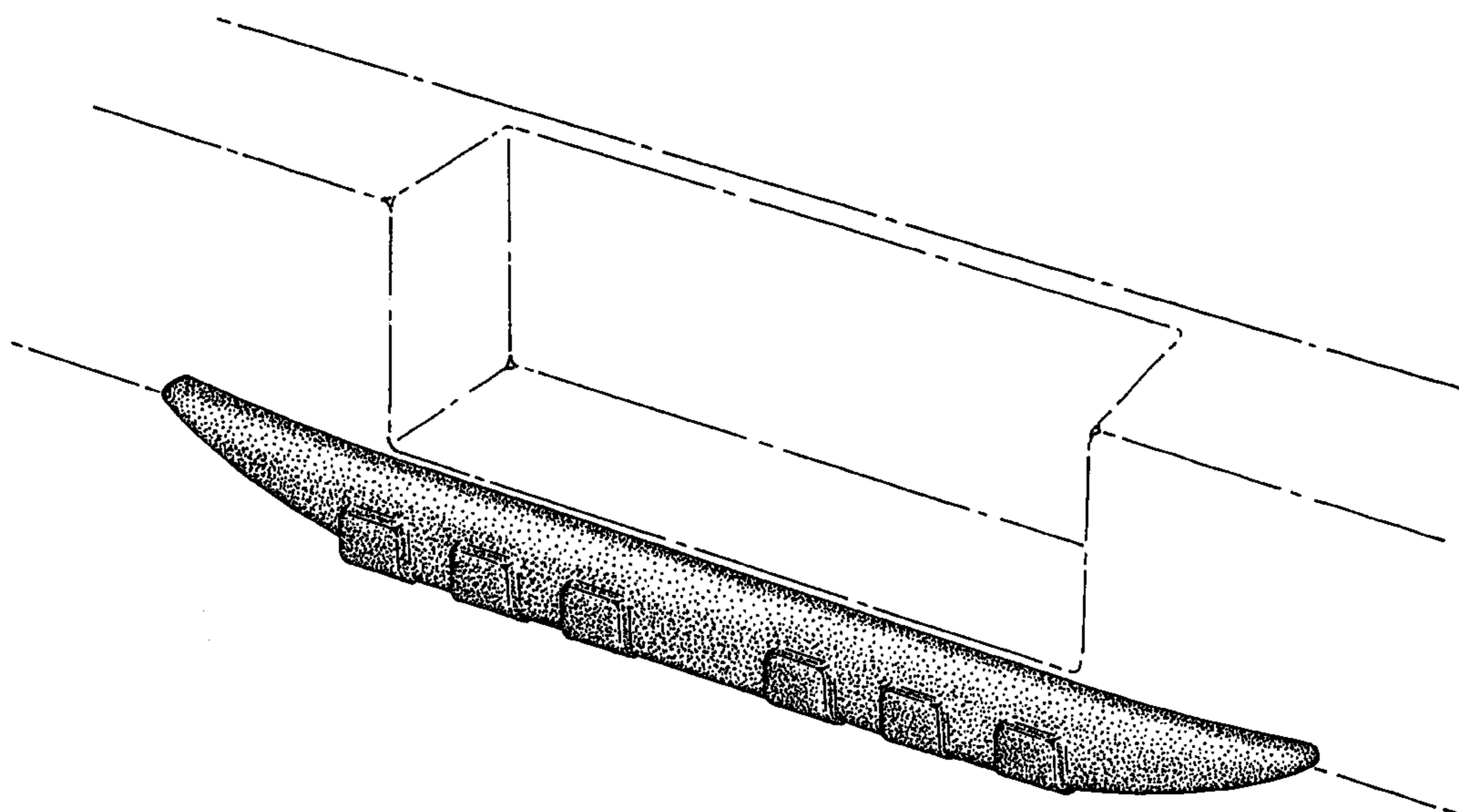


FIG. 1

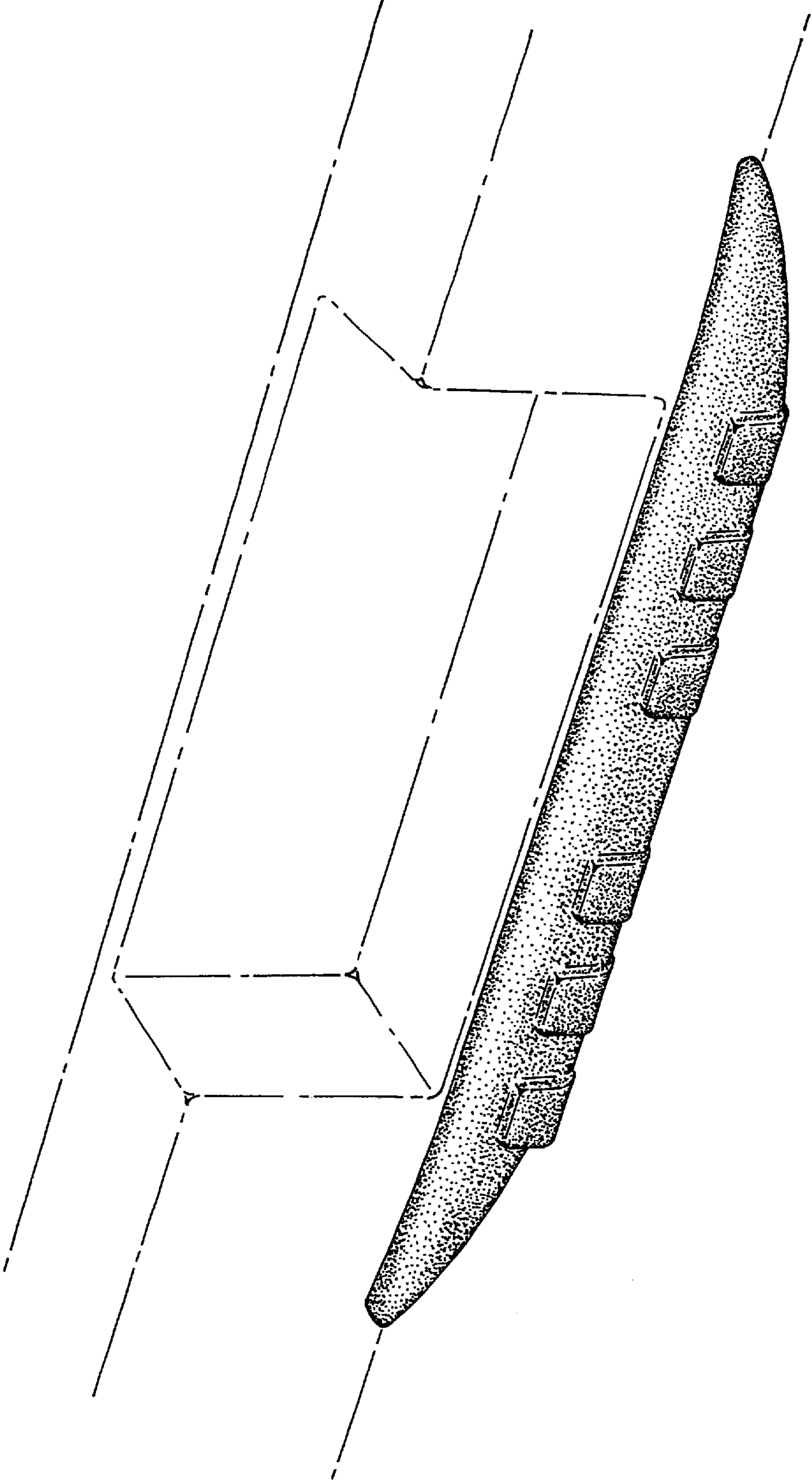


FIG. 2

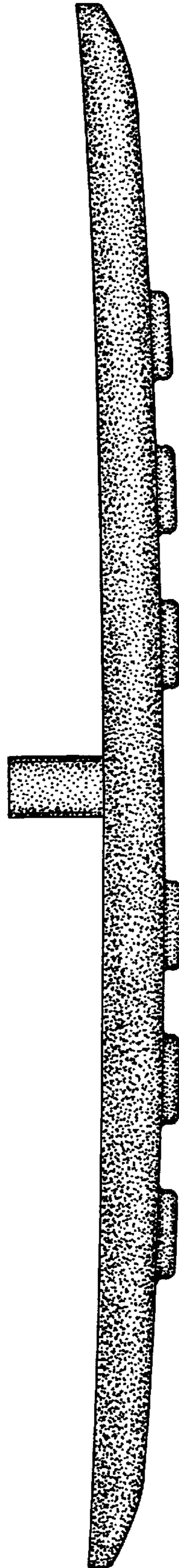


FIG. 4

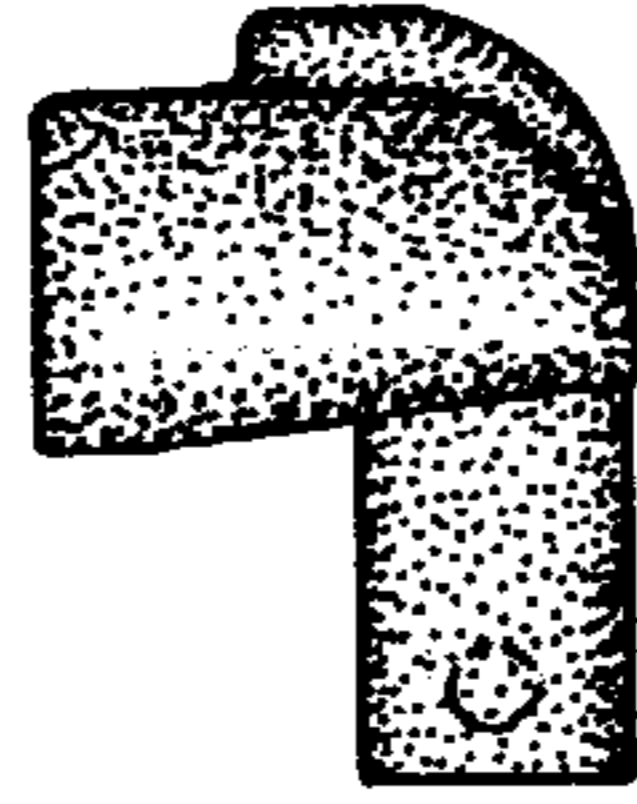


FIG. 3

