



US00D526603S

(12) **United States Design Patent**
Gates, II

(10) **Patent No.:** **US D526,603 S**

(45) **Date of Patent:** **** Aug. 15, 2006**

(54) **RACING HELMET HITCH BALL COVER**

(76) **Inventor:** **Thomas Wendall Gates, II**, 75 Dollar Ct., Wylie, TX (US) 75098-7257

(**) **Term:** **14 Years**

(21) **Appl. No.:** **29/232,095**

(22) **Filed:** **Jun. 14, 2005**

(51) **LOC (8) Cl.** **12-16**

(52) **U.S. Cl.** **D12/162**

(58) **Field of Classification Search** D12/106,
D12/161, 162, 199, 400; D9/441, 451, 618;
D29/102-104, 106; 280/186, 402-404, 405,
280/405.1, 405.2, 407, 407.1, 416.2, 455.1,
280/491.5

See application file for complete search history.

(56) **References Cited**

U.S. PATENT DOCUMENTS

D359,018 S	6/1995	Thigpin	
D370,836 S	* 6/1996	Van Blankenburg D7/625
D392,926 S	* 3/1998	Adelaar D12/162
D401,193 S	11/1998	Julian	
D413,291 S	8/1999	Corns, Jr.	
D419,450 S	* 1/2000	Adams D9/451
6,102,424 A	8/2000	Cole, Jr. et al.	
D462,303 S	* 9/2002	Swiggart D12/162

D475,328 S	* 6/2003	Murguia D12/162
6,655,822 B1	12/2003	Sylvester	
D485,218 S	* 1/2004	Bentley D12/162
D506,711 S	* 6/2005	Ruiz et al. D12/162
D507,213 S	* 7/2005	Friga D12/162
D513,211 S	* 12/2005	Murguia D12/162
D514,479 S	* 2/2006	Wang D12/162

* cited by examiner

Primary Examiner—Doris Clark

Assistant Examiner—Michael Pratt

(74) *Attorney, Agent, or Firm*—Rudolph J. Buche, Jr.

(57) **CLAIM**

The ornamental design for a racing helmet hitch ball cover, as shown and described.

DESCRIPTION

FIG. 1 is a perspective view of the racing helmet hitch ball cover showing my new design.

FIG. 2 is a front elevation view thereof;

FIG. 3 is a back elevation view thereof;

FIG. 4 is a right elevation view thereof;

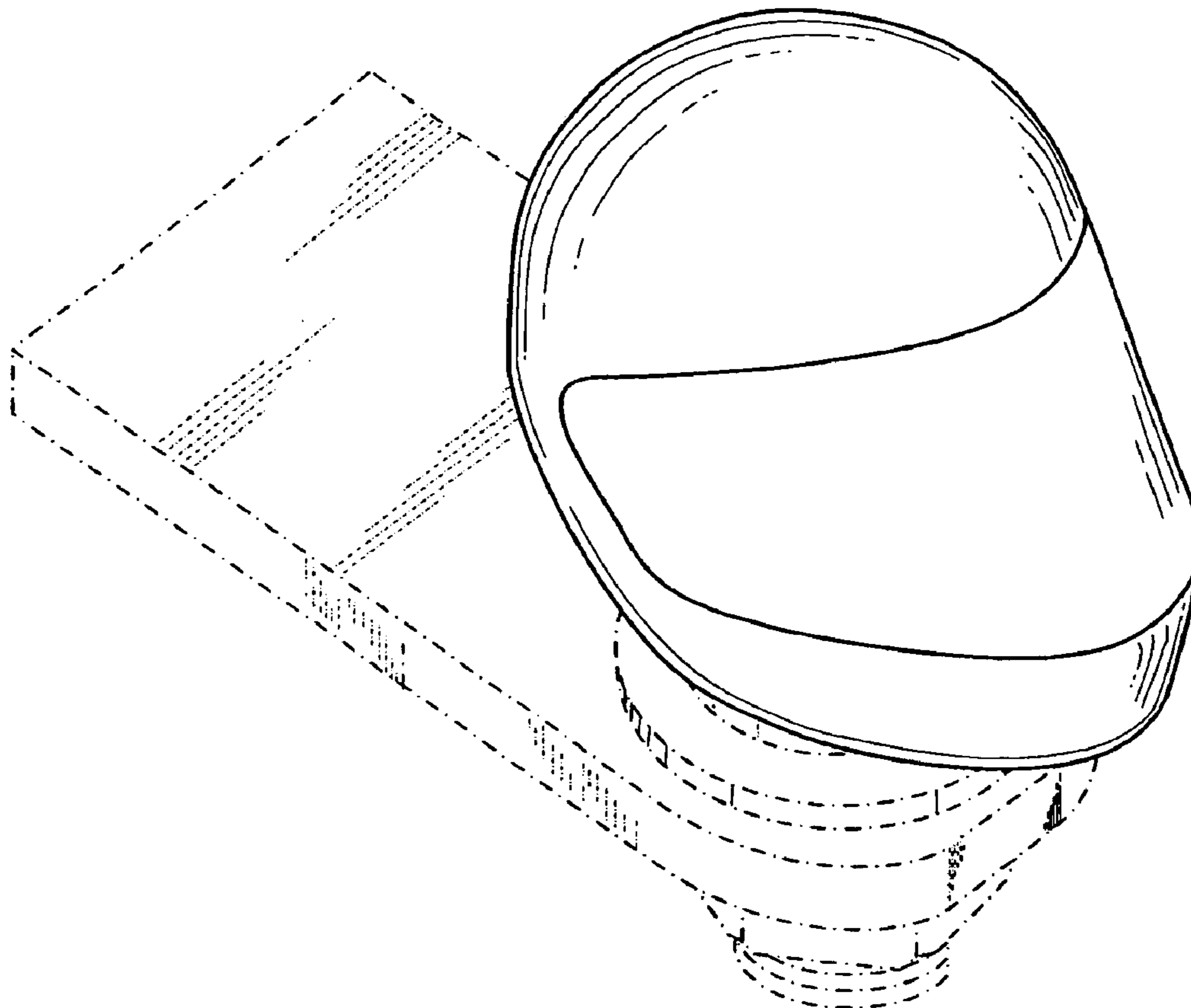
FIG. 5 is left elevation view thereof;

FIG. 6 is a top plan view thereof; and,

FIG. 7 is bottom plan view thereof.

The broken lines shown on the drawings are for illustrative purposes only and form no part of the claimed design.

1 Claim, 3 Drawing Sheets



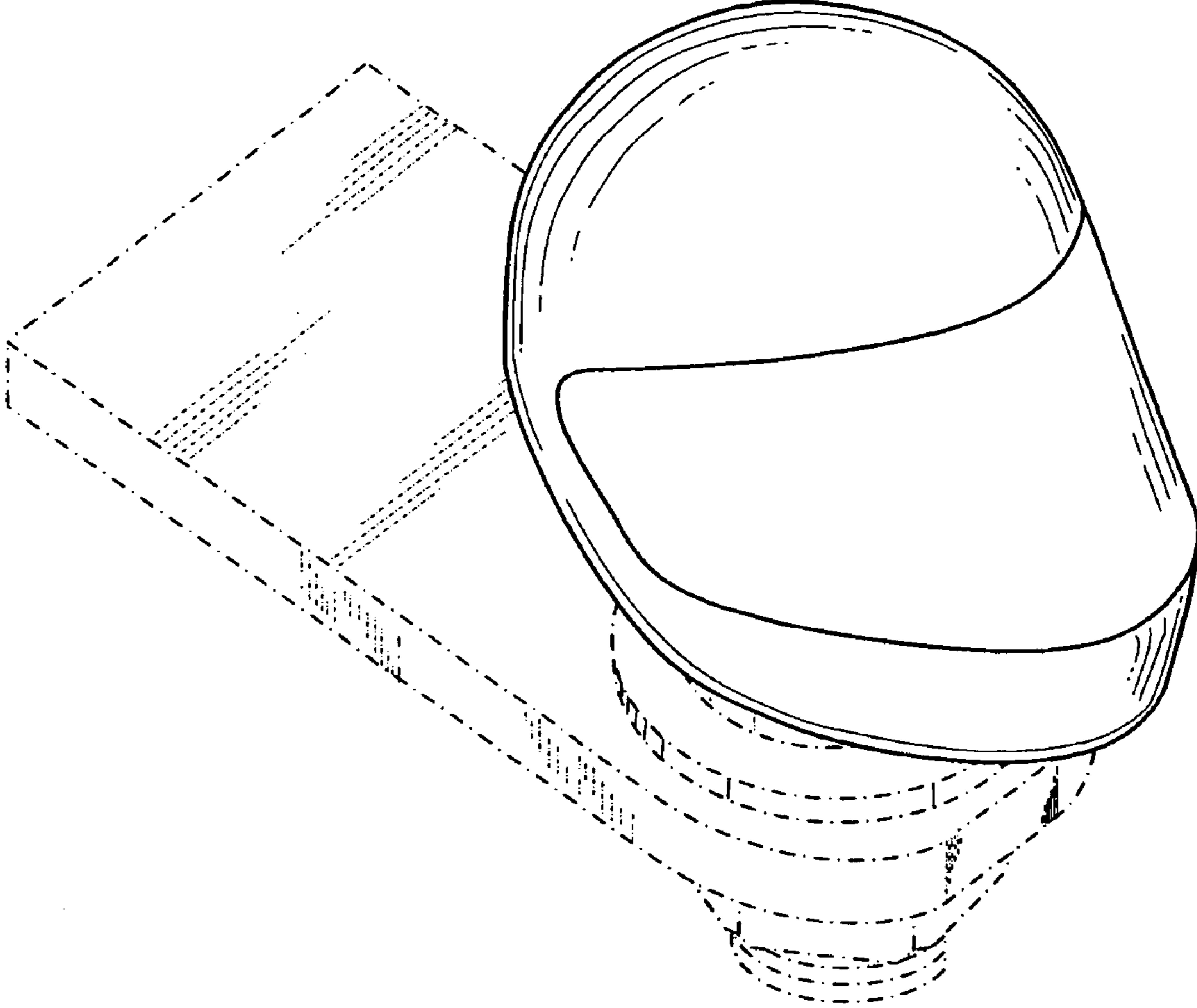


FIG. 1

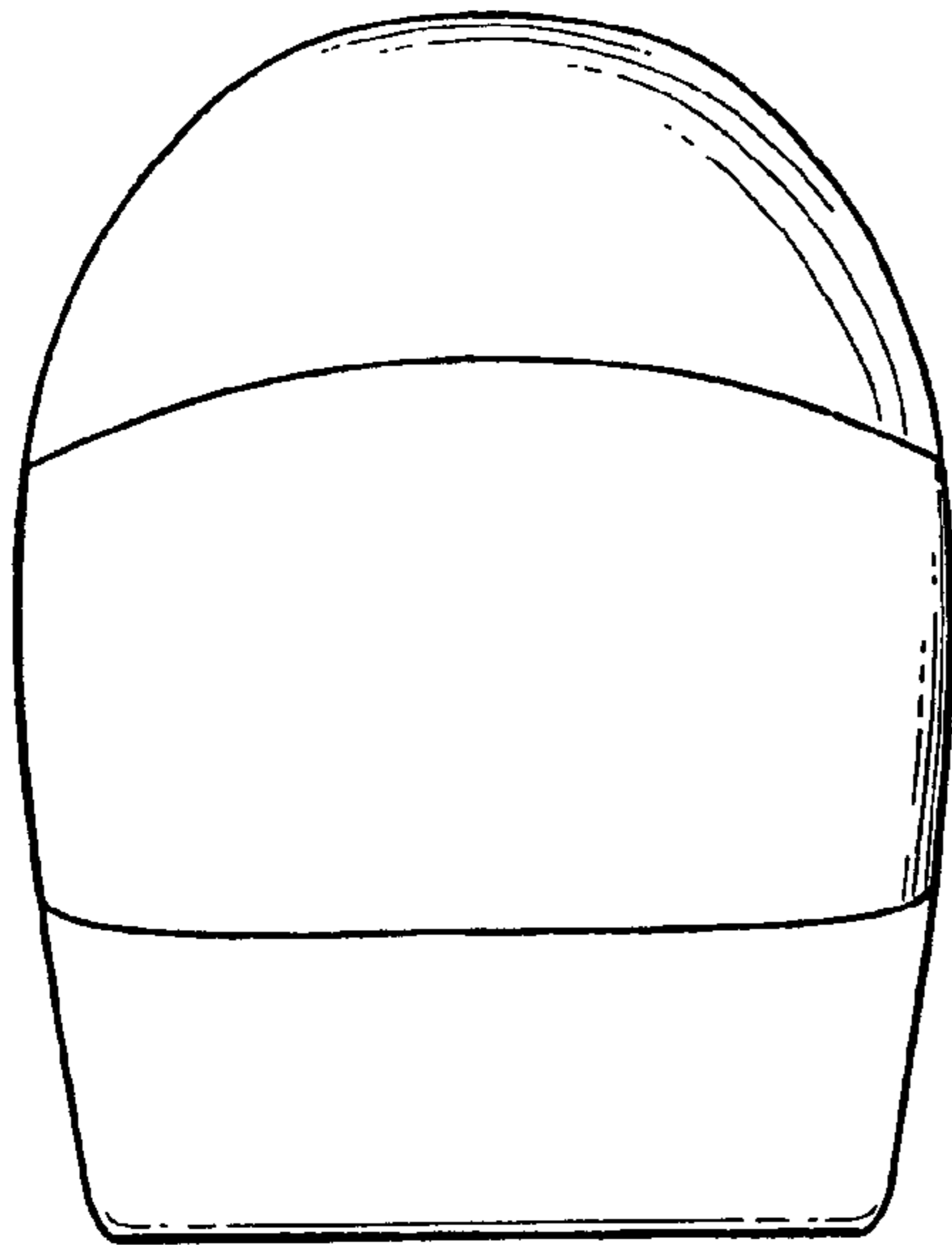


FIG. 2

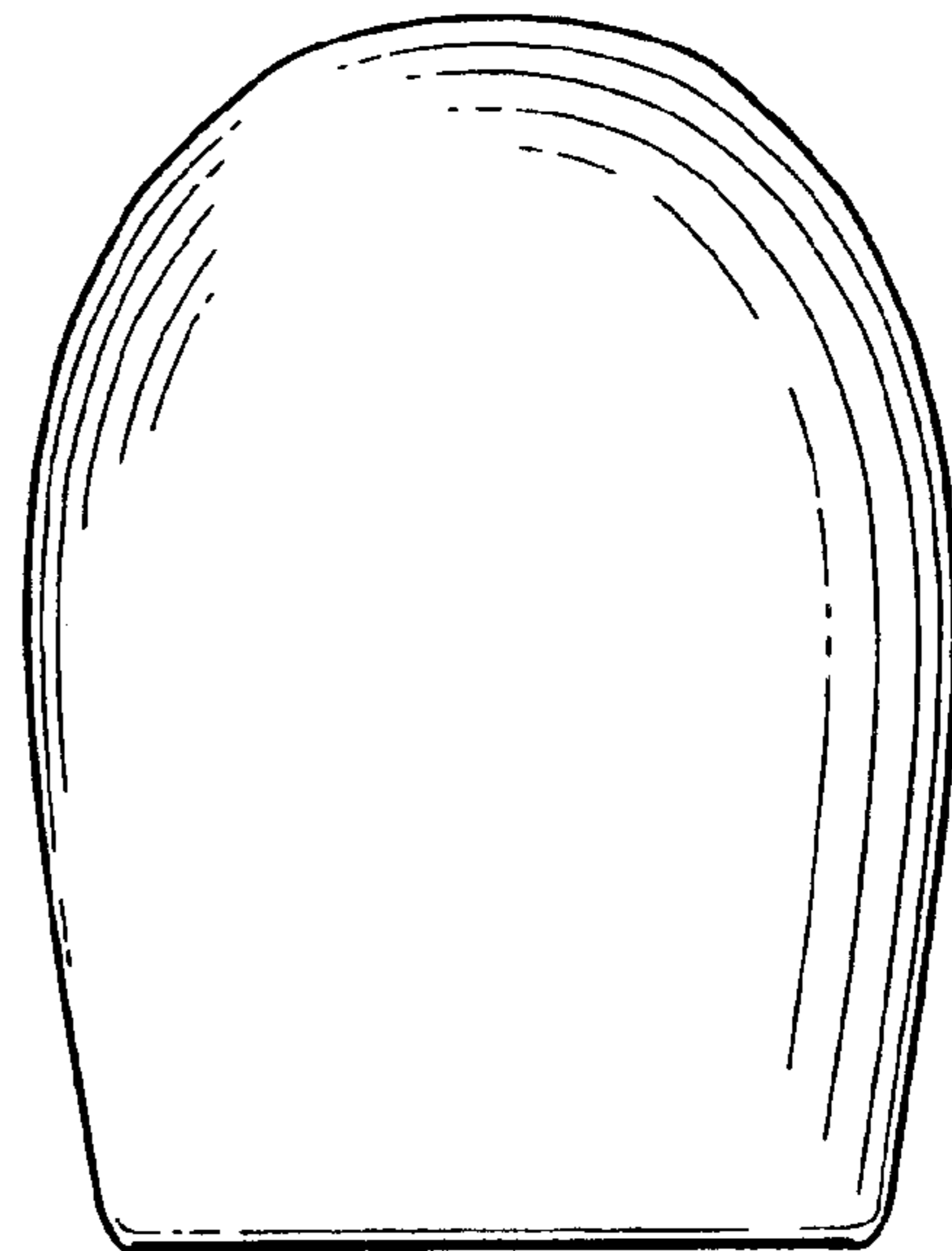


FIG. 3

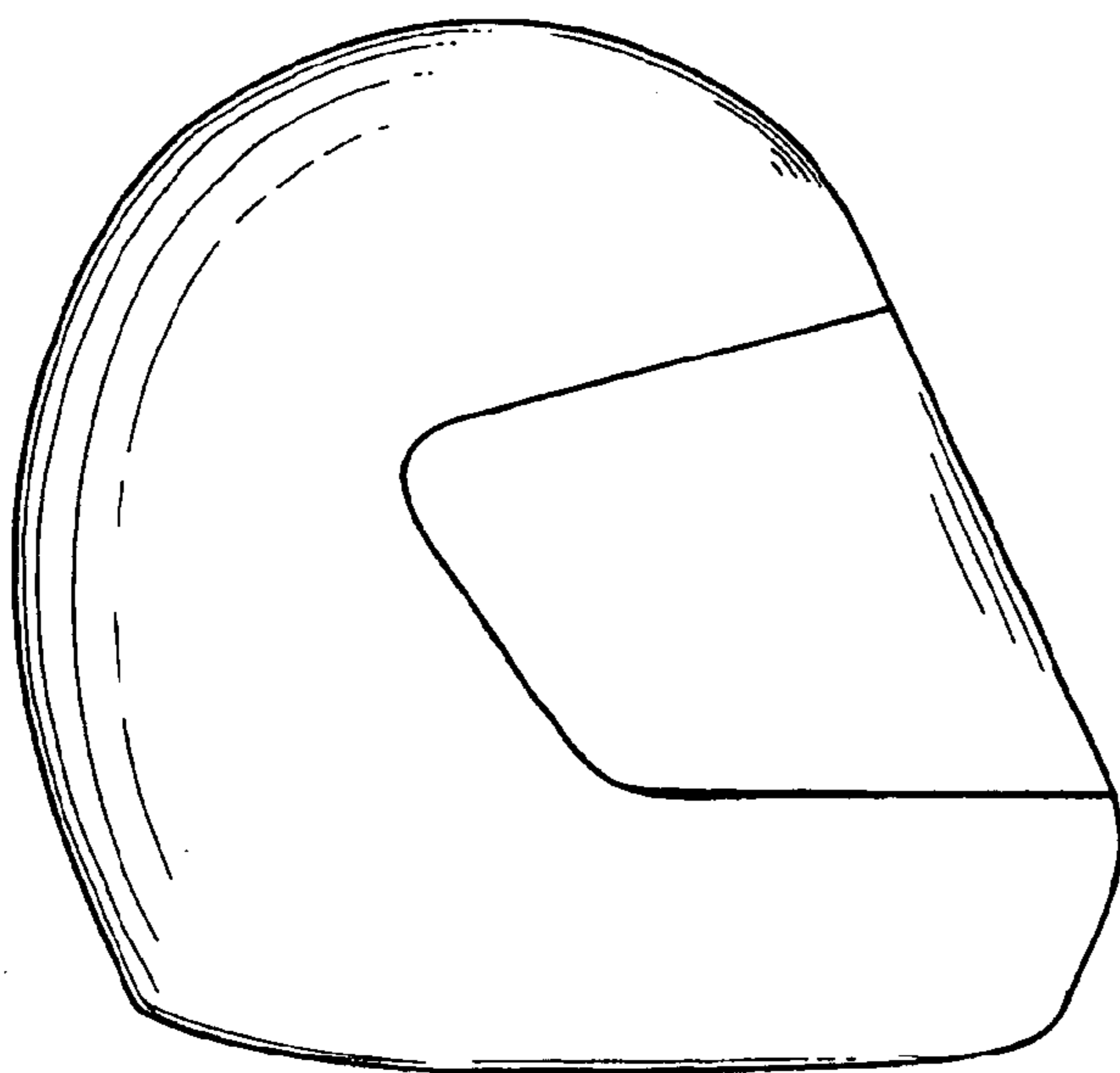


FIG. 4

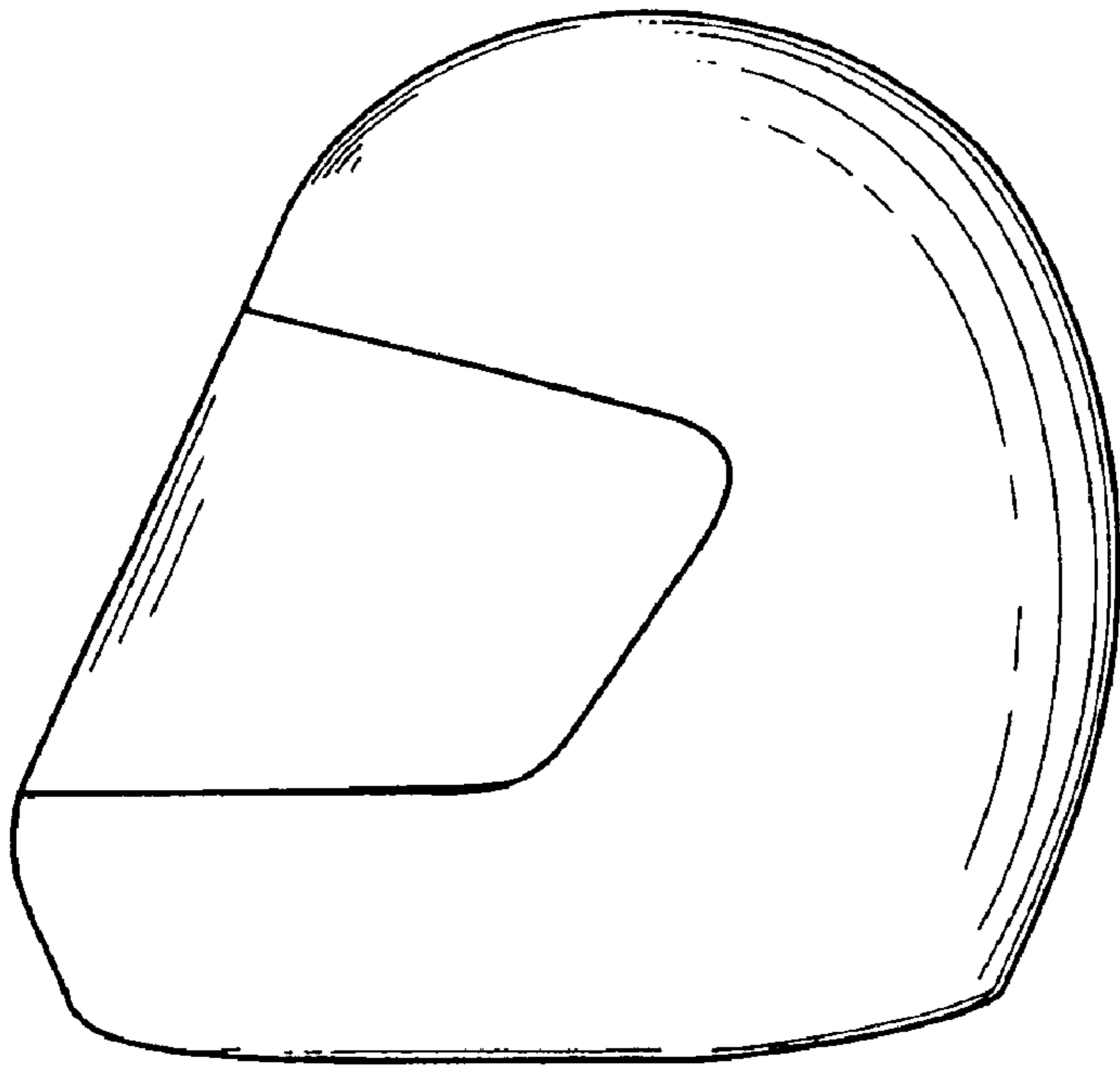


FIG. 5

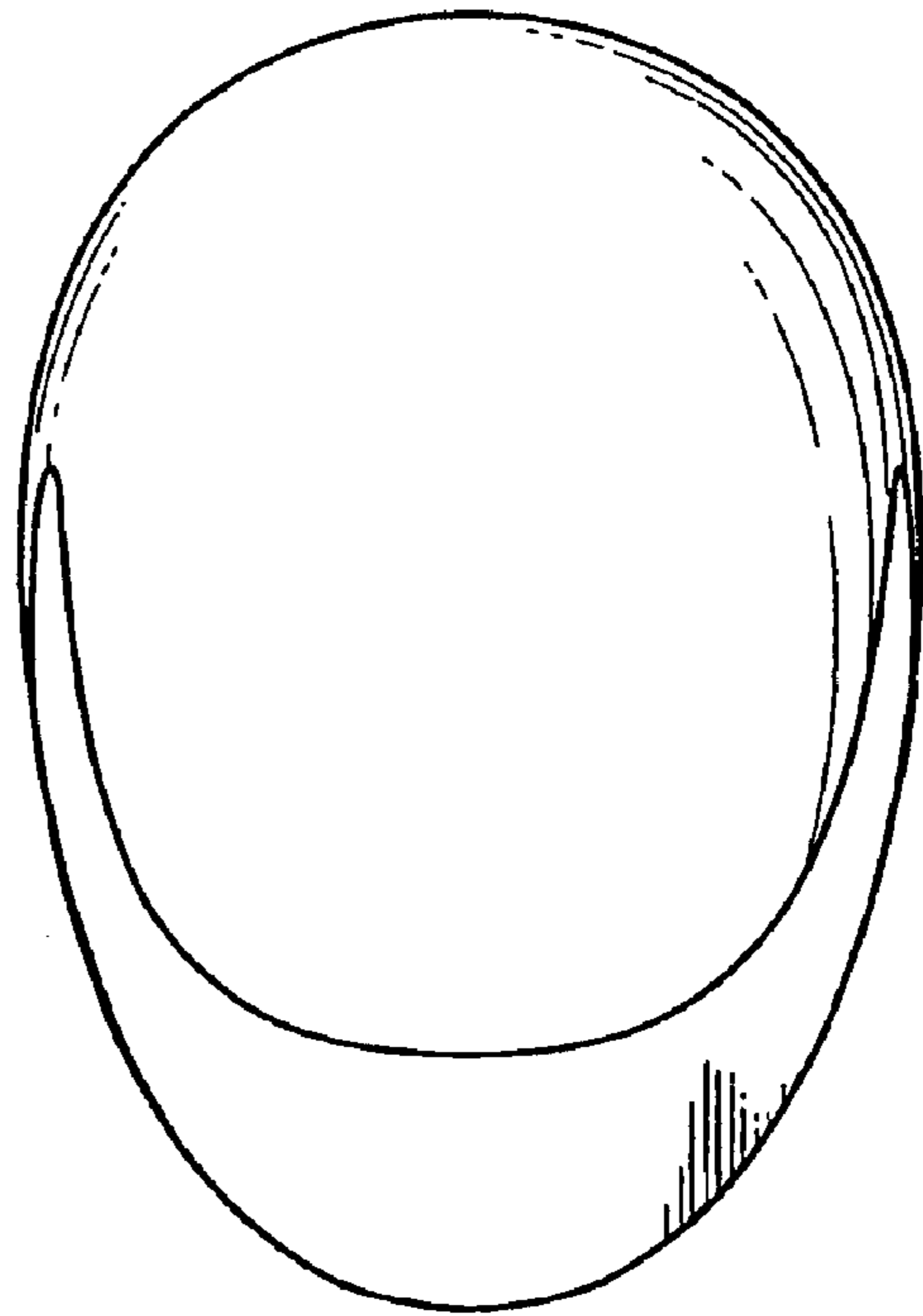


FIG. 6

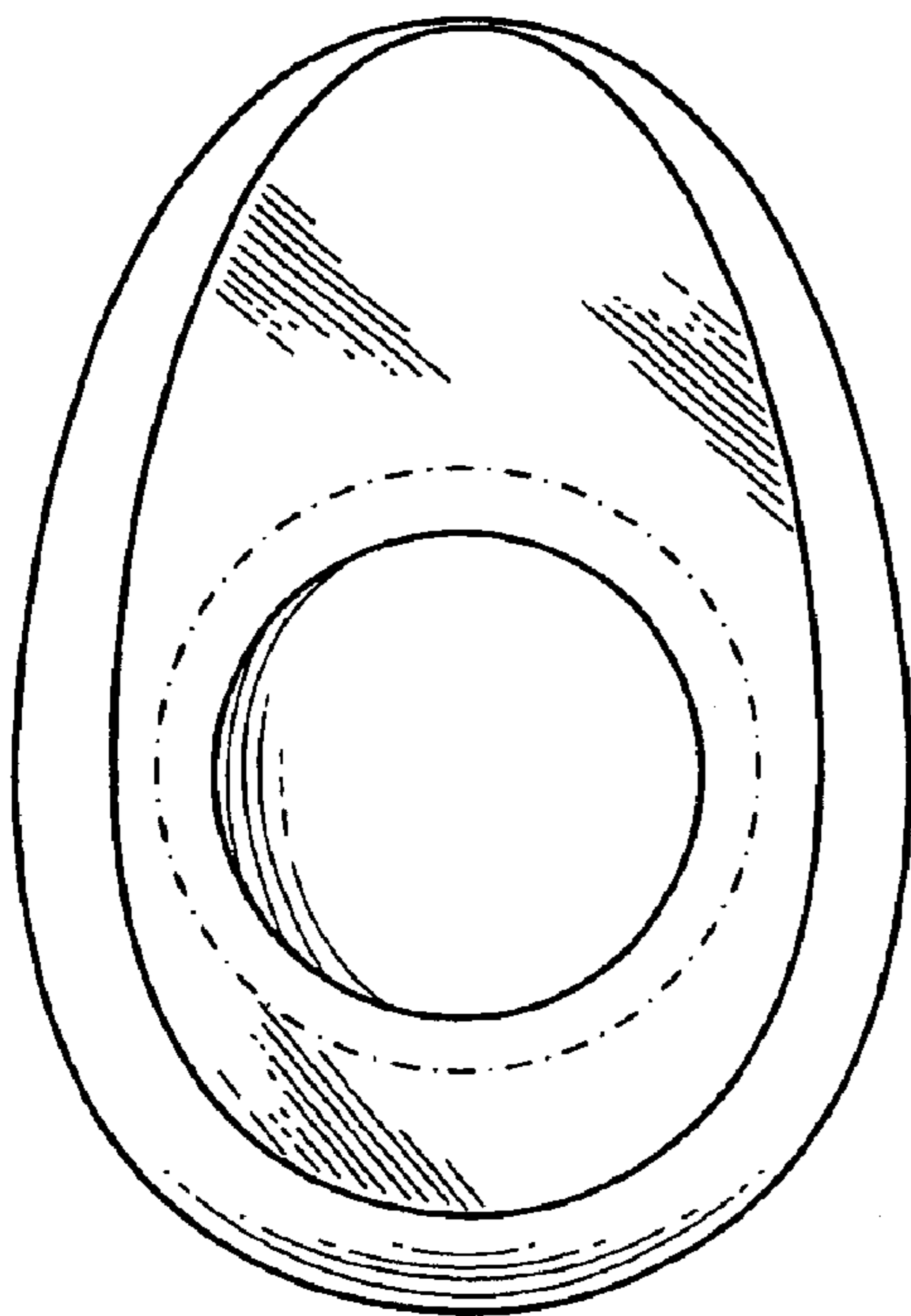


FIG. 7